



US00D929878S

(12) **United States Design Patent**
Huang

(10) **Patent No.:** **US D929,878 S**

(45) **Date of Patent:** **** Sep. 7, 2021**

(54) **DIGITAL FOOD THERMOMETER**

Primary Examiner — Antoine Duval Davis

(71) Applicant: **Qingxiang Huang**, Shaoyang (CN)

(74) *Attorney, Agent, or Firm* — Justin Lampel

(72) Inventor: **Qingxiang Huang**, Shaoyang (CN)

(**) Term: **15 Years**

(57) **CLAIM**

(21) Appl. No.: **29/748,834**

The ornamental design for a digital food thermometer, as shown and described.

(22) Filed: **Sep. 1, 2020**

(51) **LOC (13) Cl.** **10-04**

(52) **U.S. Cl.**
USPC **D10/57**

(58) **Field of Classification Search**
USPC D10/57

CPC G01K 2207/02; G01K 2207/04; G01K
2207/06; G01K 2207/08

See application file for complete search history.

DESCRIPTION

(56) **References Cited**

U.S. PATENT DOCUMENTS

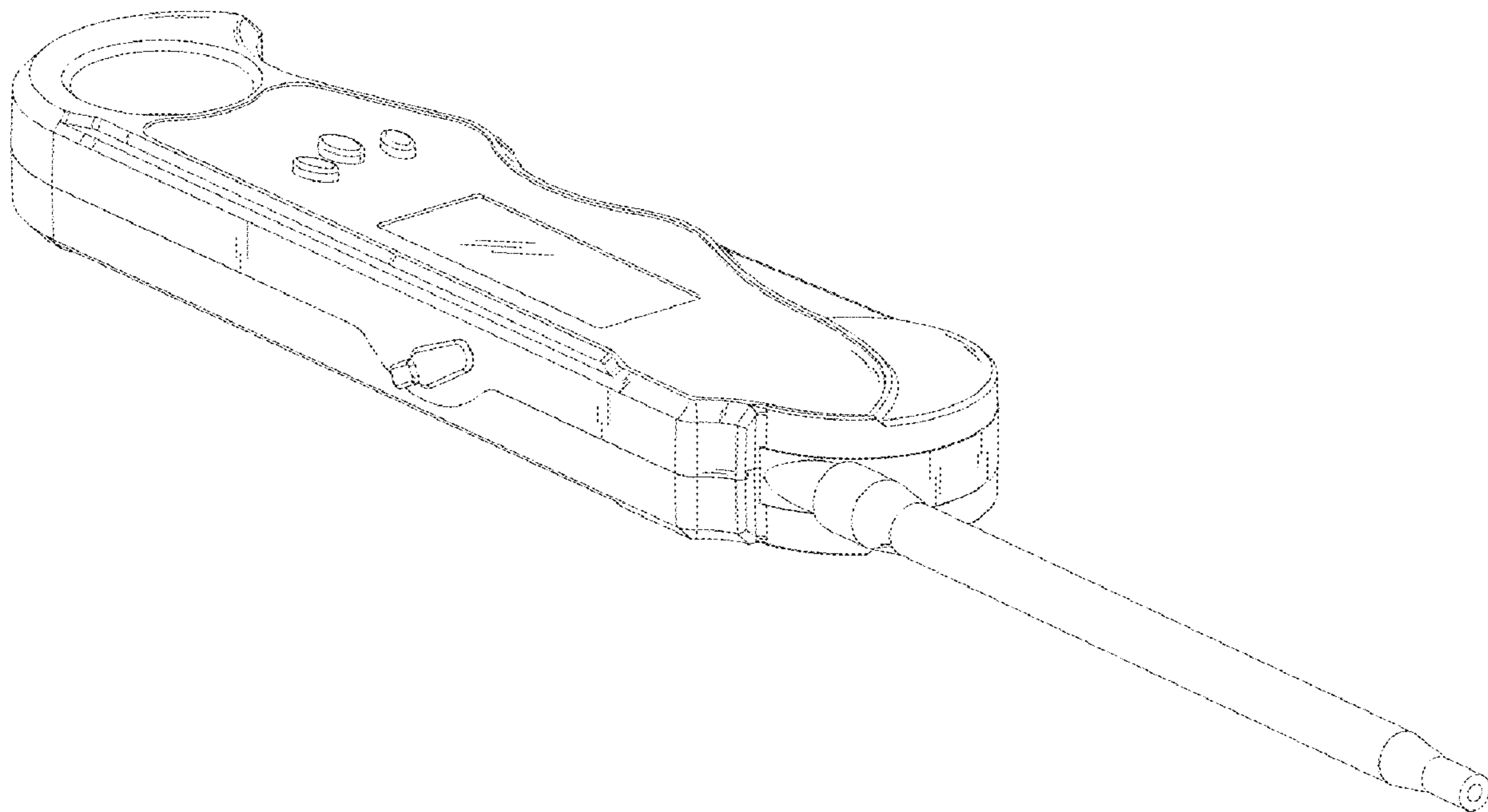
| | | | | |
|--------------|--------|------|-------|--------|
| D888,590 S * | 6/2020 | Wang | | D10/57 |
| D910,468 S * | 2/2021 | Liu | | D10/57 |
| D919,457 S * | 5/2021 | Dai | | D10/57 |

FIG. 1 is a perspective view of a digital food thermometer showing the claimed design;
FIG. 2 is a top plan view thereof;
FIG. 3 is a rear elevational view thereof;
FIG. 4 is a bottom plan view thereof;
FIG. 5 is a right side view thereof;
FIG. 6 is a front elevational view thereof; and,
FIG. 7 is a left side view thereof.

The broken lines illustrate portions of the digital food thermometer that form no part of the claimed design.

* cited by examiner

1 Claim, 7 Drawing Sheets



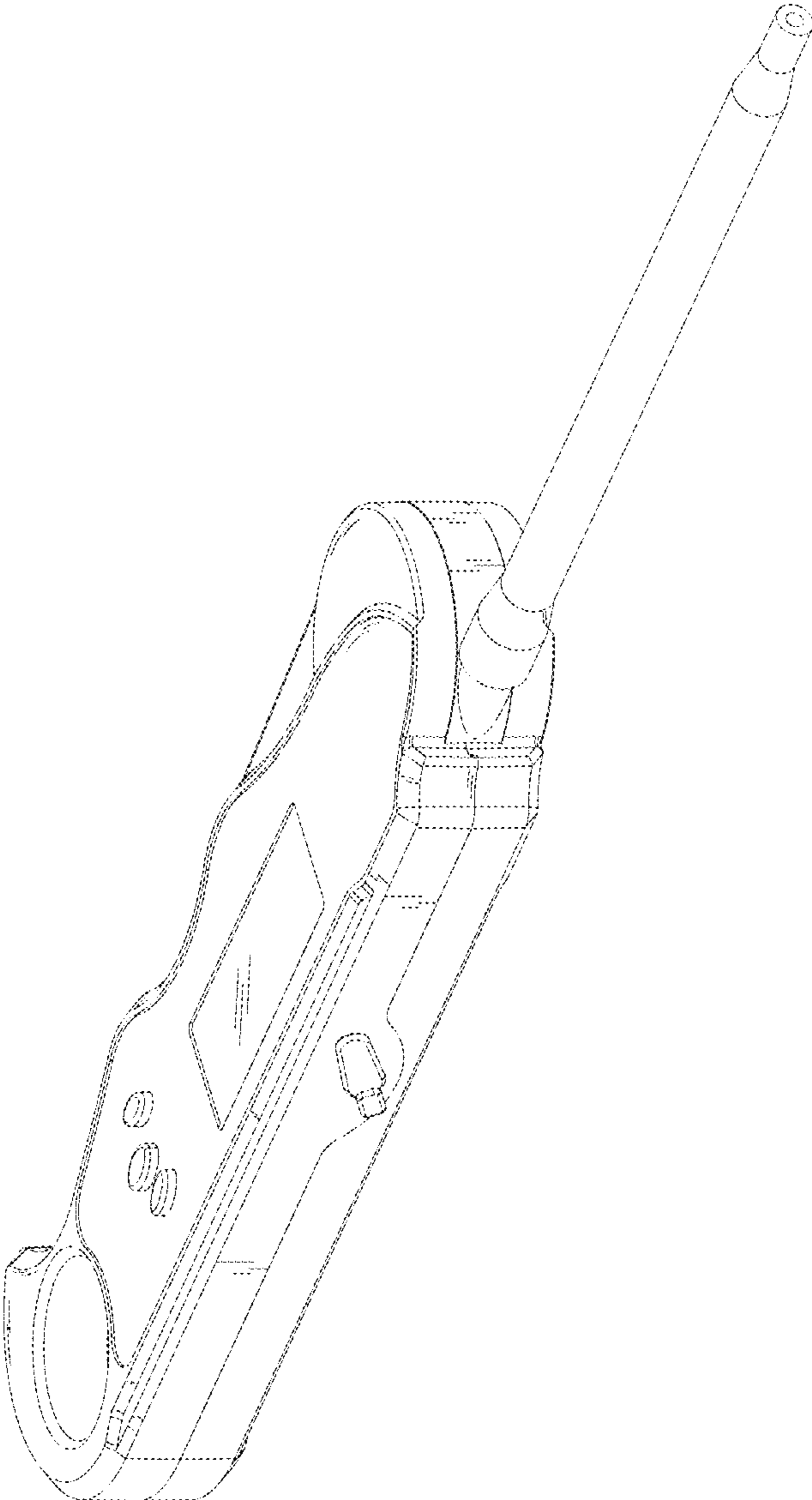


FIG. 1

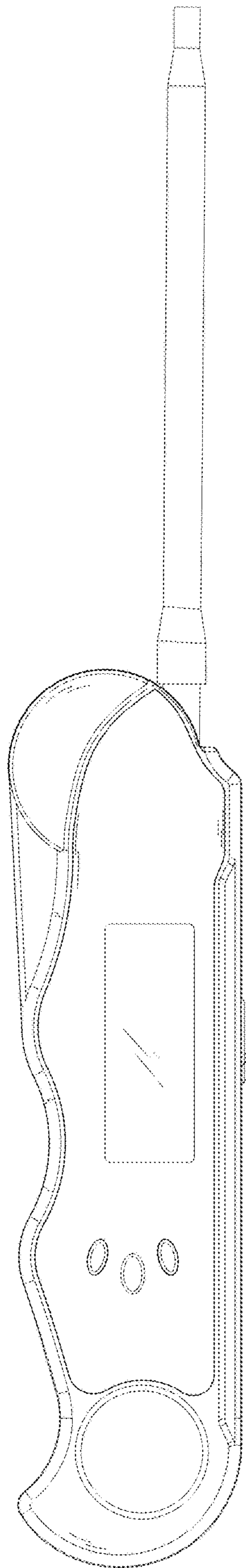


FIG. 2

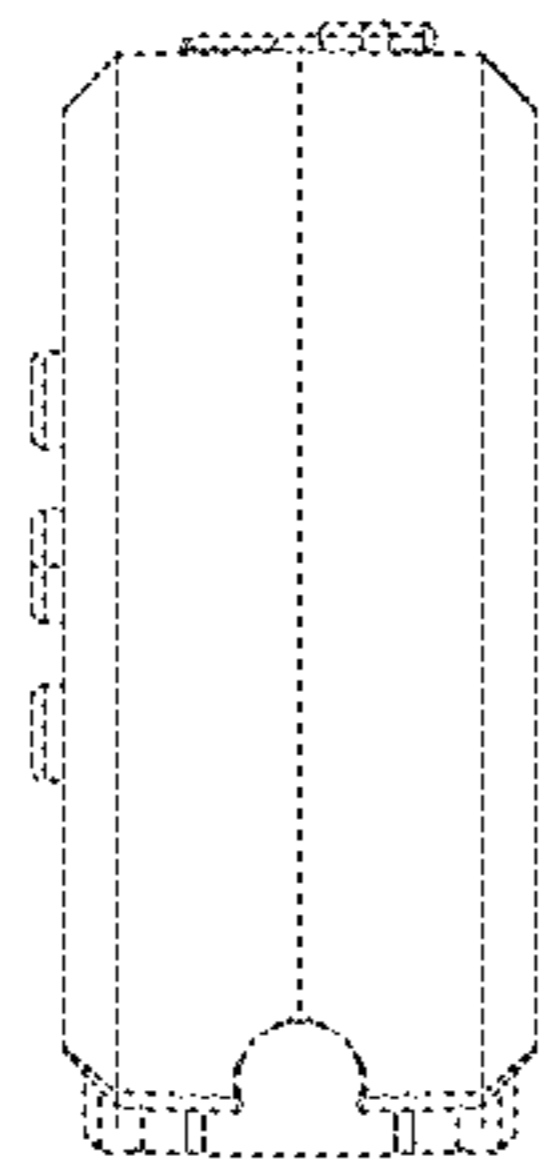


FIG. 3

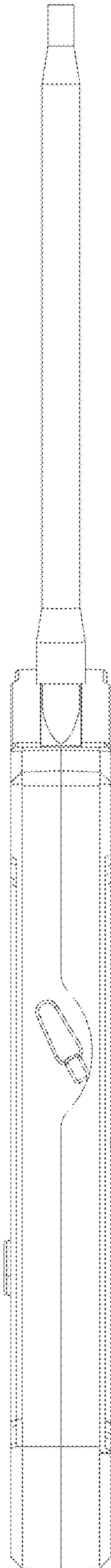


FIG. 4

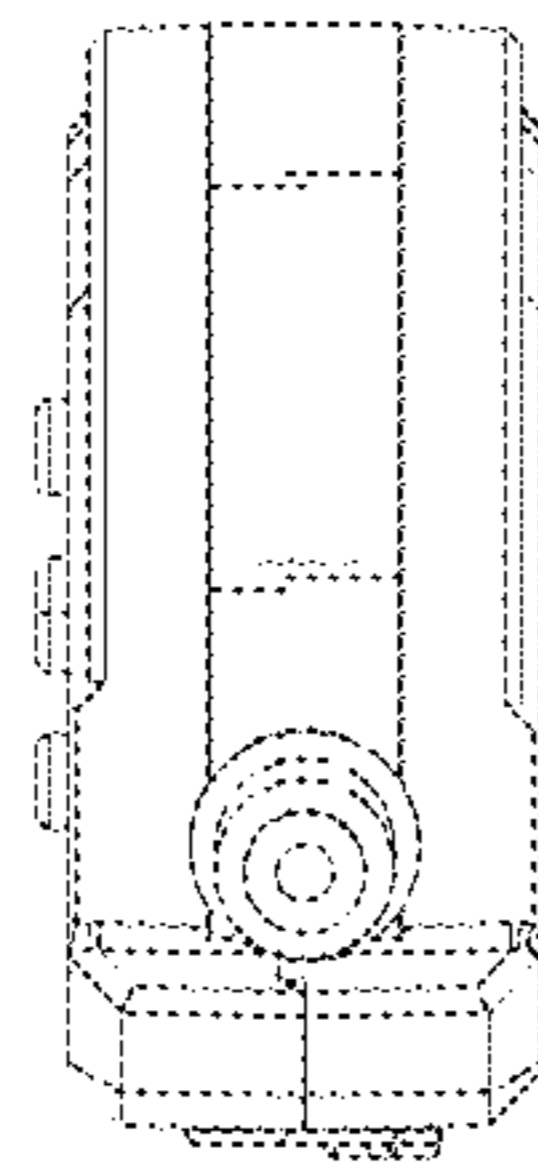


FIG. 5

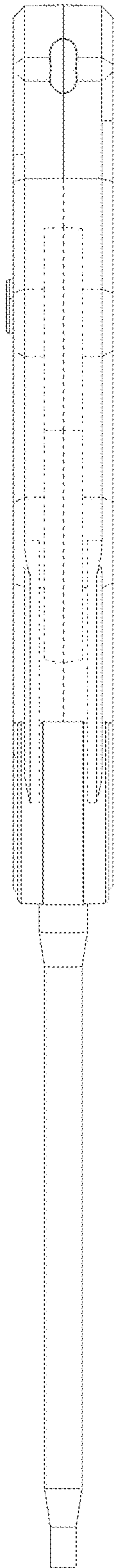


FIG. 6

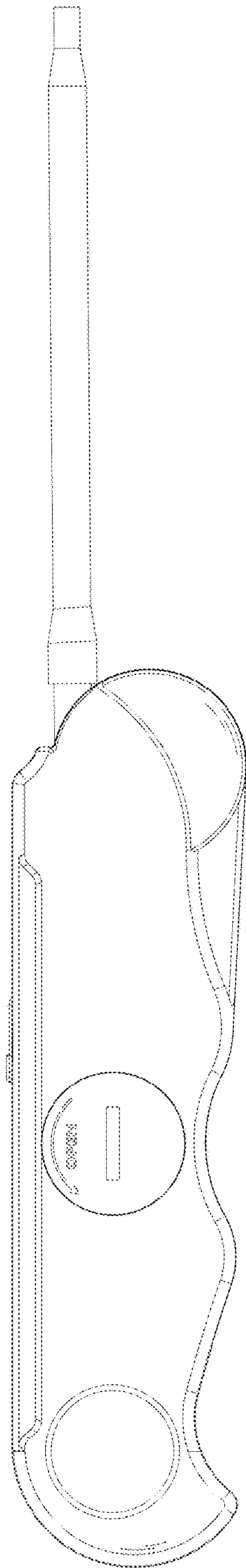


FIG. 7