



US00D929877S

(12) **United States Design Patent** (10) **Patent No.:** **US D929,877 S**  
**Yu** (45) **Date of Patent:** **\*\* Sep. 7, 2021**

(54) **WIRELESS BARBECUE THERMOMETER TRANSMITTER**  
(71) Applicant: **FUZHOU ESUN ELECTRONIC CO., LTD**, Fuzhou (CN)  
(72) Inventor: **Guo Yu**, Fuzhou (CN)  
(73) Assignee: **FUZHOU ESUN ELECTRONIC CO., LTD**, Fuzhou (CN)  
(\*\*) Term: **15 Years**  
(21) Appl. No.: **29/724,029**  
(22) Filed: **Feb. 12, 2020**

(30) **Foreign Application Priority Data**  
Dec. 31, 2019 (CN) ..... 201930748186.2  
(51) **LOC (13) Cl.** ..... **10-04**  
(52) **U.S. Cl.**  
USPC ..... **D10/57; D10/52**  
(58) **Field of Classification Search**  
USPC ..... D10/46, 49-60, 81  
CPC ..... H04N 5/332; H04N 21/2143; H04N 21/42221; H04N 21/4516; H04N 21/4343; H04N 21/43637; H04N 5/3651; G01J 5/021; G01J 5/048; G01J 5/028; G01J 5/0011; G01J 5/0265; G01K 1/026; G01K 2207/02; G01K 7/427; G01K 15/00; G01K 2207/06; G01K 1/024; G01K 1/086; G01K 1/00; G01K 1/02; G01K 7/18; G01K 9/00; A61F 2007/0096; A41D 19/0027; A61D 13/00; G04B 47/06; G04B 47/068; G04B 47/008; A47J 43/288; A61B 5/01; A61B 5/6817; G07C 1/00; H04W 84/12; G06F 3/04847; G05D 23/1902; G05D 23/1917; F24F 2221/32

See application file for complete search history.

(56) **References Cited**  
U.S. PATENT DOCUMENTS  
6,568,848 B1 \* 5/2003 Chapman ..... G01K 1/024 340/870.17  
D579,800 S \* 11/2008 Mobley ..... D10/57  
(Continued)

FOREIGN PATENT DOCUMENTS  
EM 003850171-0002 \* 4/2017  
EM 004702686-0002 \* 2/2018  
(Continued)

OTHER PUBLICATIONS  
Secura Store, Upgraded Wireless Remote Meat Thermometer, Date first available Sep. 20, 2019, [online]retrieved Jun. 23, 2021, available from [https://www.amazon.com/dp/B07W2W91MY/ref=sspa\\_dk\\_detail\\_6?psc=1&pd\\_rd\\_i=B07W2W91MYp13NParams&spLa=ZW5jcmlwdGVkUXVhbGlm](https://www.amazon.com/dp/B07W2W91MY/ref=sspa_dk_detail_6?psc=1&pd_rd_i=B07W2W91MYp13NParams&spLa=ZW5jcmlwdGVkUXVhbGlm) (Year: 2019).\*  
(Continued)

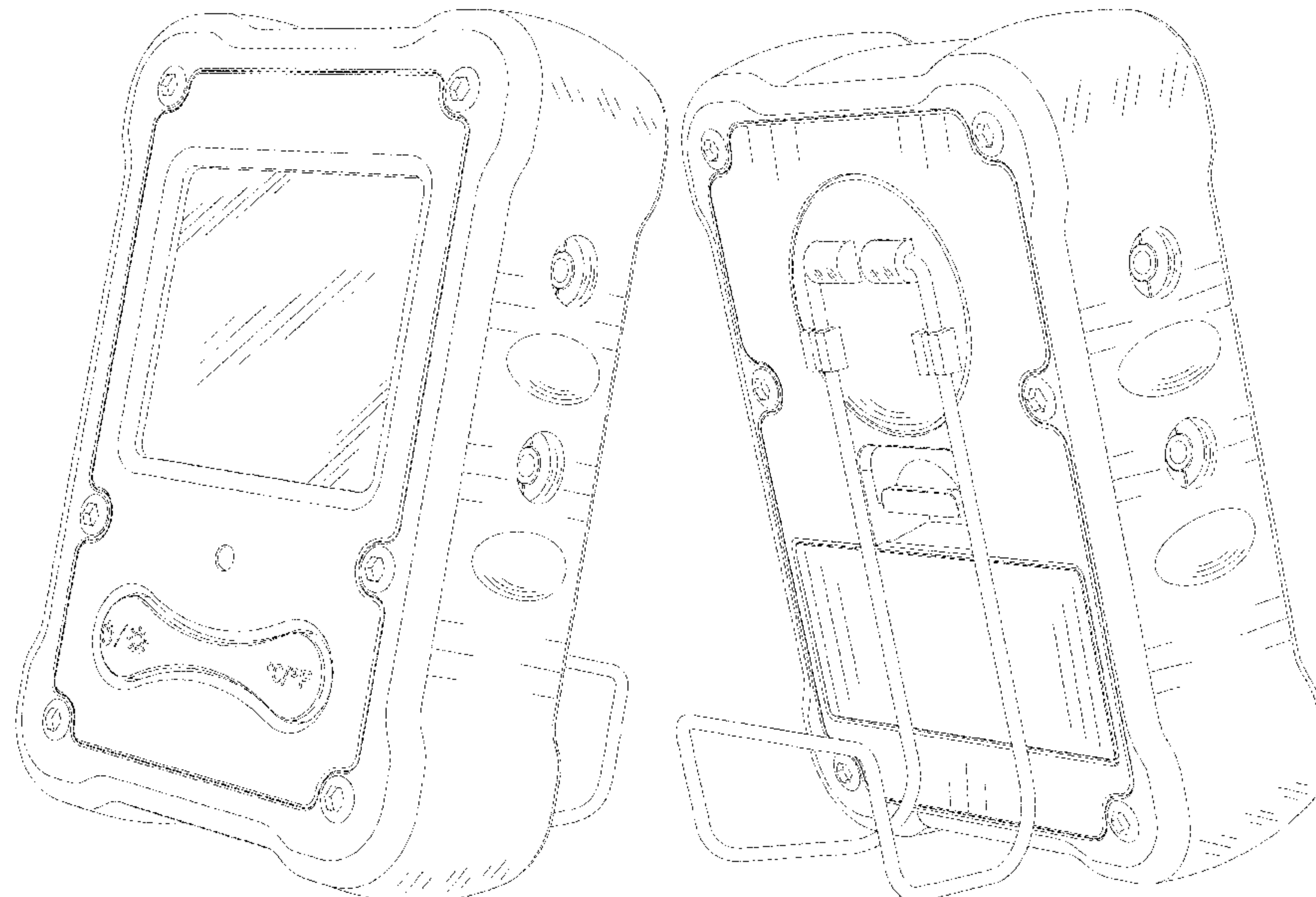
*Primary Examiner* — Keli L Hill  
*Assistant Examiner* — Sara S Sahneh  
(74) *Attorney, Agent, or Firm* — Westbridge IP LLC

(57) **CLAIM**  
The ornamental design for a wireless barbecue thermometer transmitter, as shown and described.

**DESCRIPTION**

FIG. 1 is a front elevational view of a wireless barbecue thermometer transmitter showing my new design;  
FIG. 2 is a right side view thereof;  
FIG. 3 is a rear elevational view thereof;  
FIG. 4 is a left side view thereof;  
FIG. 5 is a top plan view thereof;  
FIG. 6 is a bottom plan view thereof;  
FIG. 7 is a front perspective view thereof; and,  
FIG. 8 is a rear perspective view thereof.

**1 Claim, 8 Drawing Sheets**



(56)

References Cited

U.S. PATENT DOCUMENTS

D582,804 S	*	12/2008	Flandin .....	D10/57
D720,243 S	*	12/2014	Elrod .....	D10/52
D748,510 S	*	2/2016	Zhou .....	D10/81
D839,756 S	*	2/2019	Pang .....	D10/52
D845,154 S	*	4/2019	Yu .....	D10/57
D847,006 S	*	4/2019	Hu .....	D10/57
D885,215 S	*	5/2020	Dewey .....	D10/78
D897,872 S	*	10/2020	Yu .....	D10/57
D899,277 S	*	10/2020	Wang .....	D10/57
D921,501 S	*	6/2021	Wang .....	D10/57
2014/0042294 A1	*	2/2014	Marzynski .....	F16M 13/022 248/693

FOREIGN PATENT DOCUMENTS

EM	007002183-0001	*	10/2019
EM	007002183-0002	*	10/2019
GB	9007547849-0003	*	1/2020
GB	9007547849-0004	*	1/2020
KR	301105288.0000	*	2/2021

OTHER PUBLICATIONS

Thermopro, TP08S Wireless Digital Meat Thermometer, Date first available Aug. 24, 2015, [online]retrieved Jun. 23, 2021, available from [https://www.amazon.com/ThermoPro-TP-08S-Wireless-Thermometer-Grilling/dp/B014DAVHSQ/ref=pd\\_di\\_sccai\\_17/130-4064296-2864548?pd\\_r](https://www.amazon.com/ThermoPro-TP-08S-Wireless-Thermometer-Grilling/dp/B014DAVHSQ/ref=pd_di_sccai_17/130-4064296-2864548?pd_r) (Year: 2015).\*

PETRIP Store, Remote Digital BBQ Wireless Meat Thermometer, Date first available Aug. 29, 2019, [online]retrieved Jun. 23, 2021, available from [https://www.amazon.com/dp/B07WZYVCRV/ref=sspa\\_dk\\_detail\\_6?psc=1&pd\\_rd\\_i=B07WZYVCRV&pd\\_rd\\_w=DGpSX&pf\\_rd\\_p=5d846283-ed3e-](https://www.amazon.com/dp/B07WZYVCRV/ref=sspa_dk_detail_6?psc=1&pd_rd_i=B07WZYVCRV&pd_rd_w=DGpSX&pf_rd_p=5d846283-ed3e-) (Year: 2019).\*

AGM, Wireless Meat Thermometer, Date first available Oct. 17, 2018, [online]retrieved Jun. 24, 2021, available from [https://www.amazon.com/dp/B07JGZZZWM/ref=sspa\\_dk\\_detail\\_5?psc=1&pd\\_rd\\_i=B07JGZZZWM&pd\\_rd\\_w=ABJU4&pf\\_rd\\_p=5d846283-ed3e-4512-a744-a30f97c5d738&pd\\_rd\\_wg=zQxmu&pf\\_rd\\_r=A4PTTA38T2N279APQE8Y&pd\\_r](https://www.amazon.com/dp/B07JGZZZWM/ref=sspa_dk_detail_5?psc=1&pd_rd_i=B07JGZZZWM&pd_rd_w=ABJU4&pf_rd_p=5d846283-ed3e-4512-a744-a30f97c5d738&pd_rd_wg=zQxmu&pf_rd_r=A4PTTA38T2N279APQE8Y&pd_r) (Year: 2018).\*

\* cited by examiner

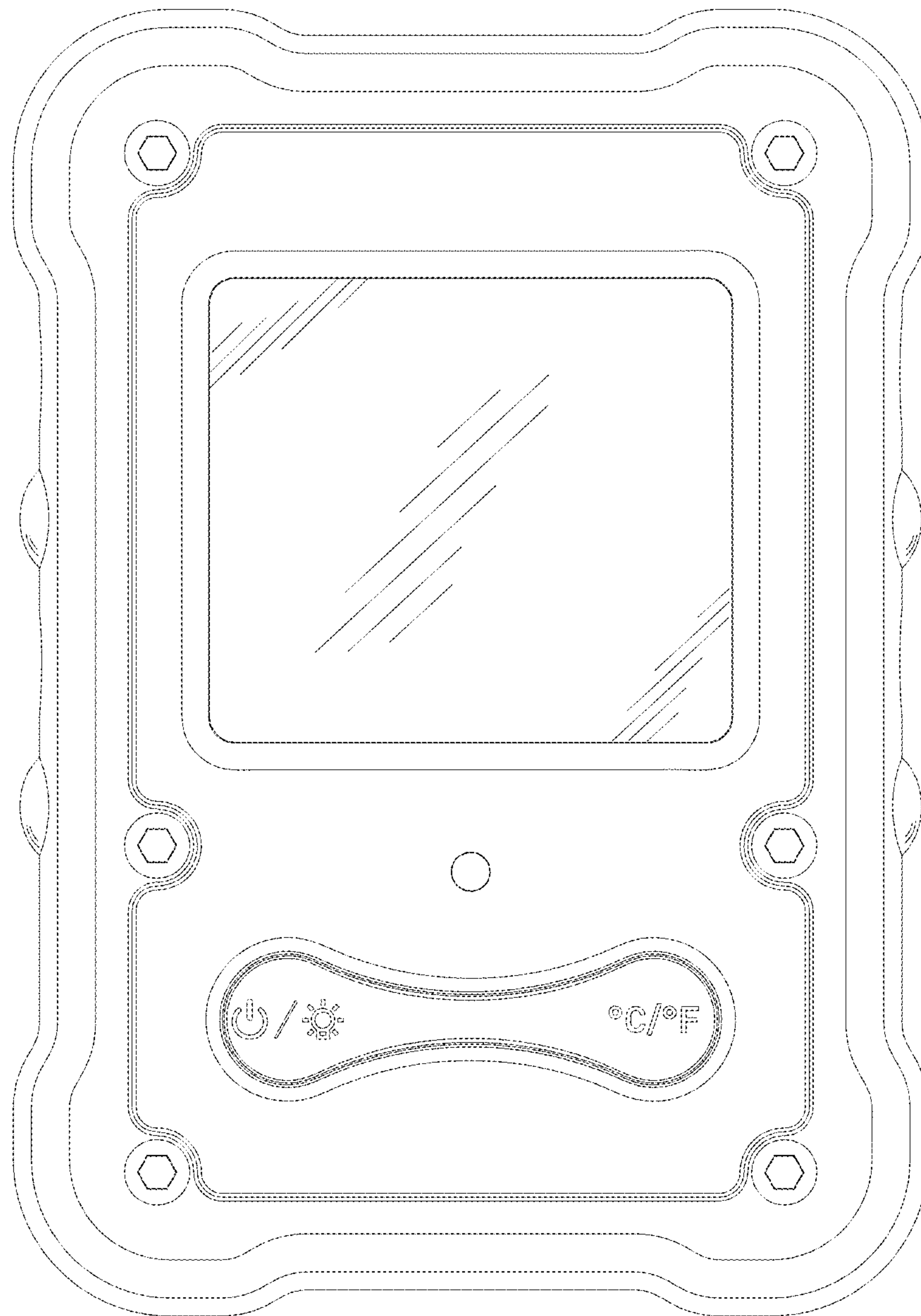


FIG . 1

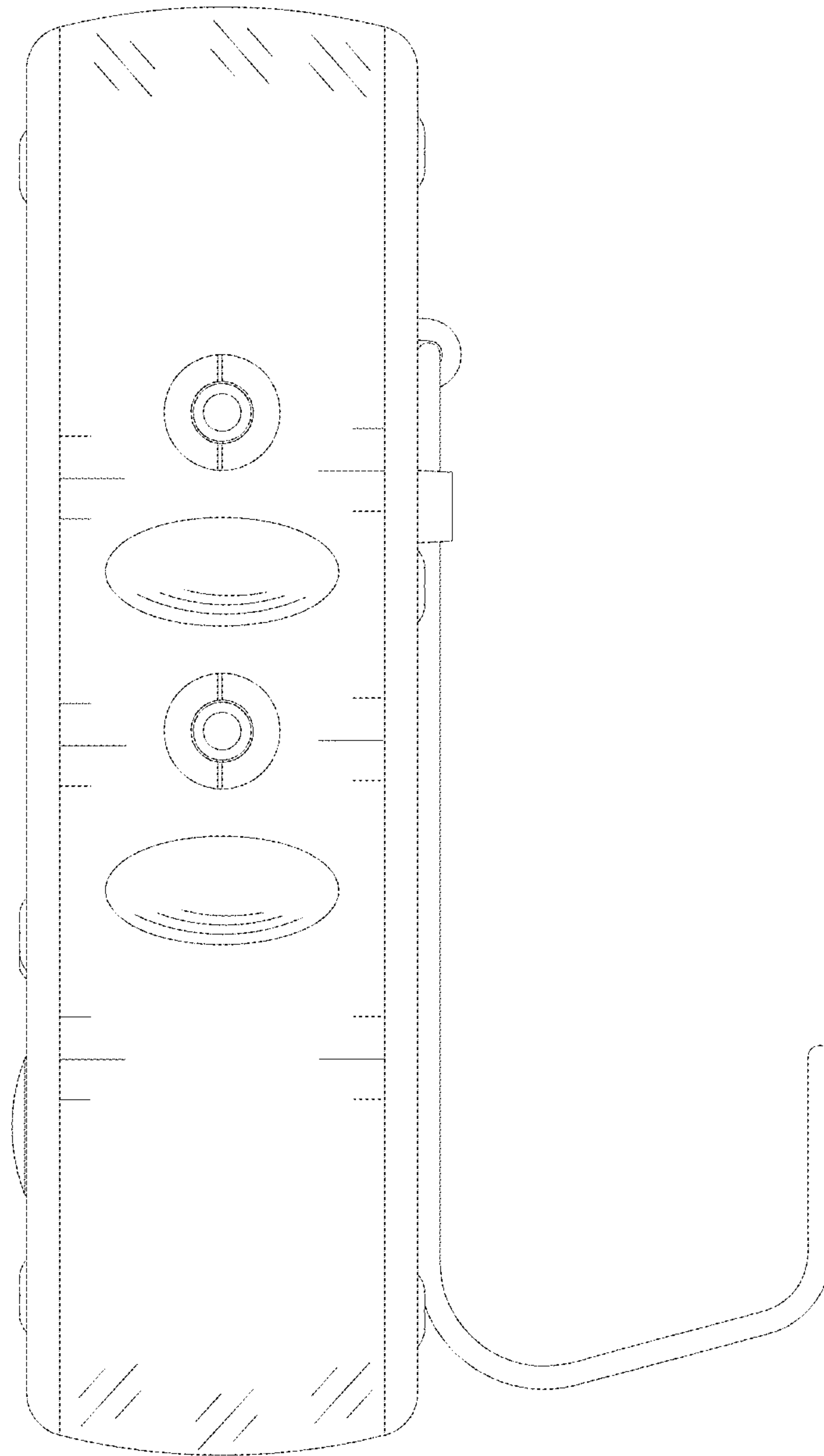


FIG . 2



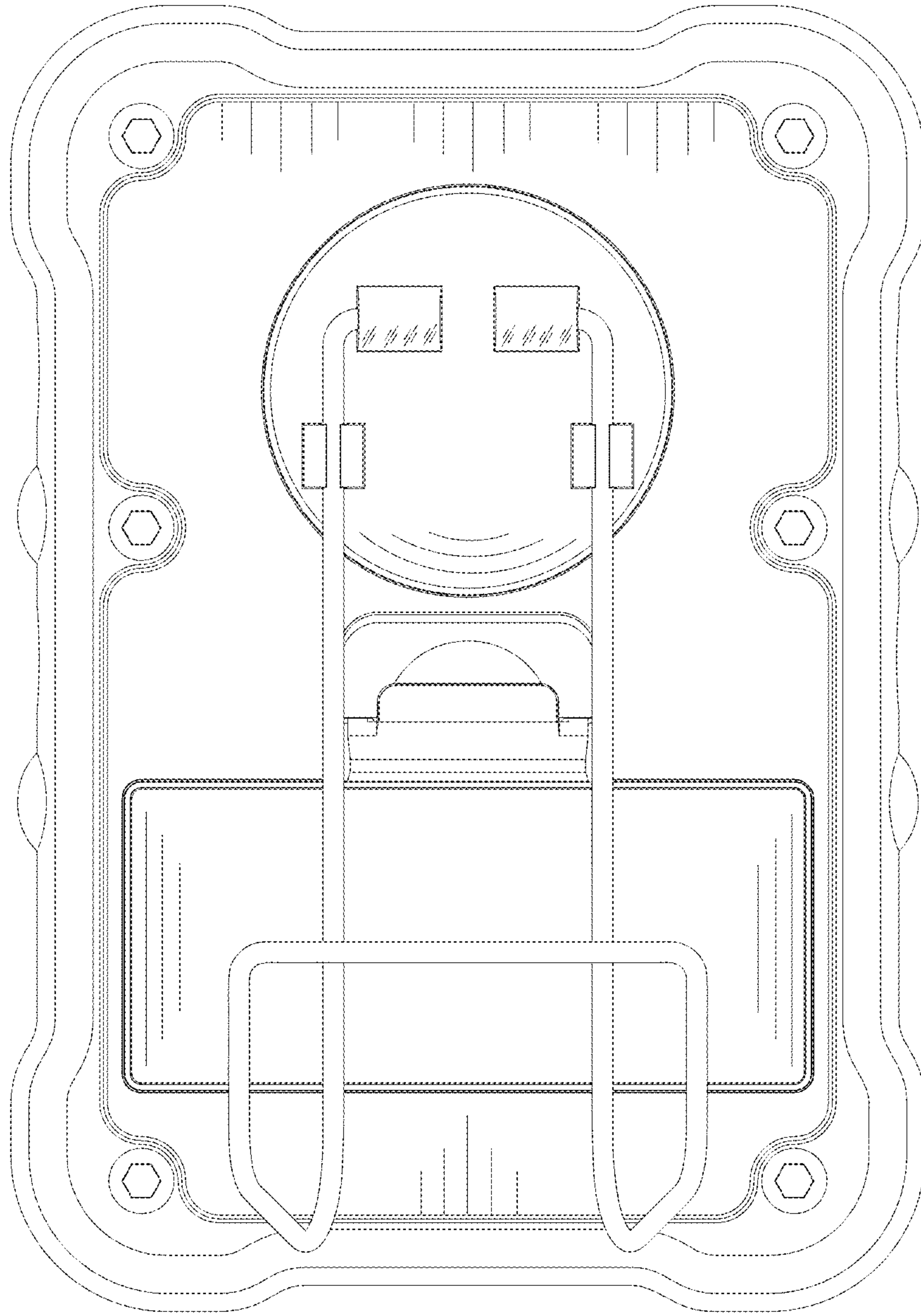


FIG . 3

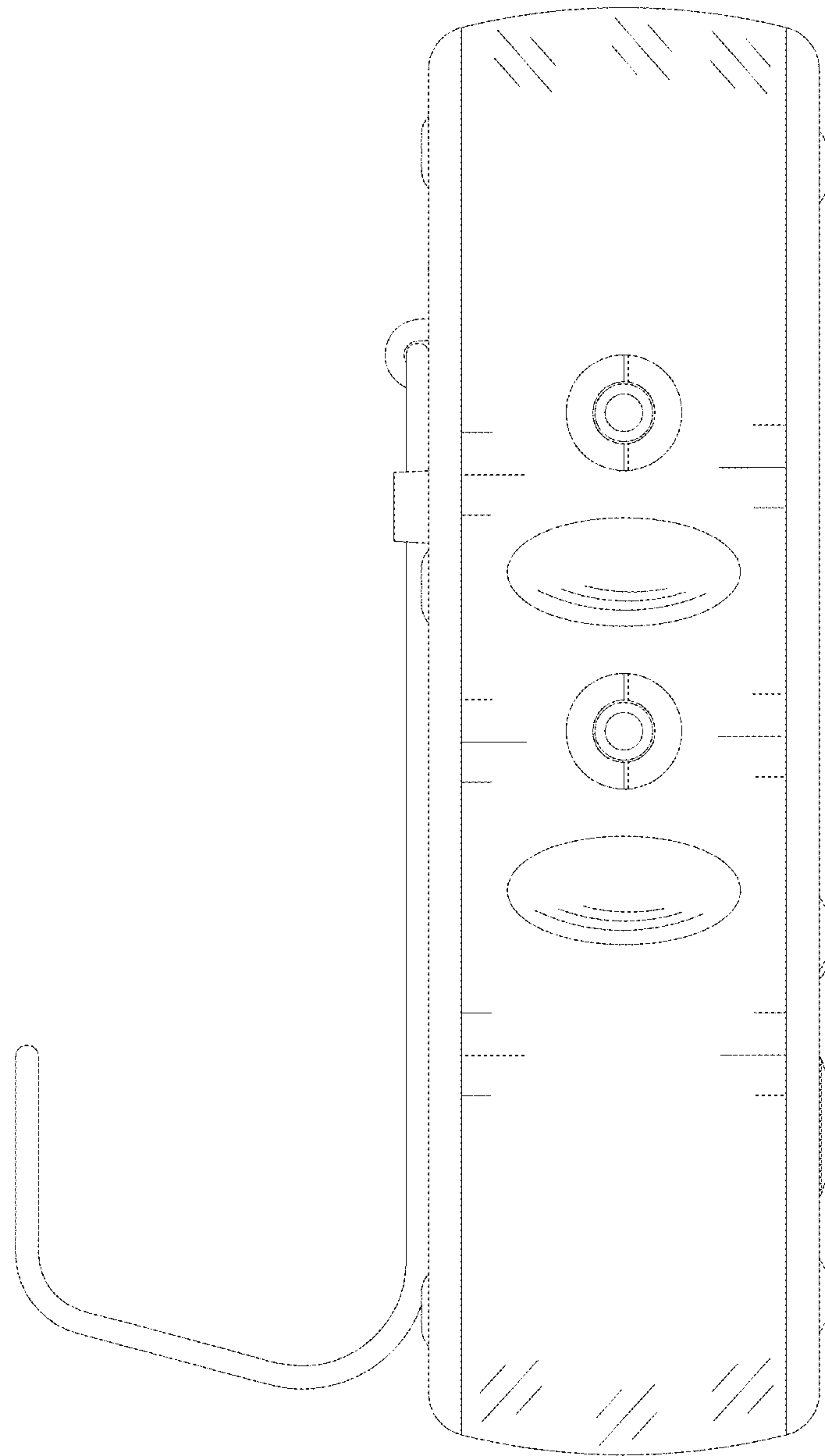


FIG . 4

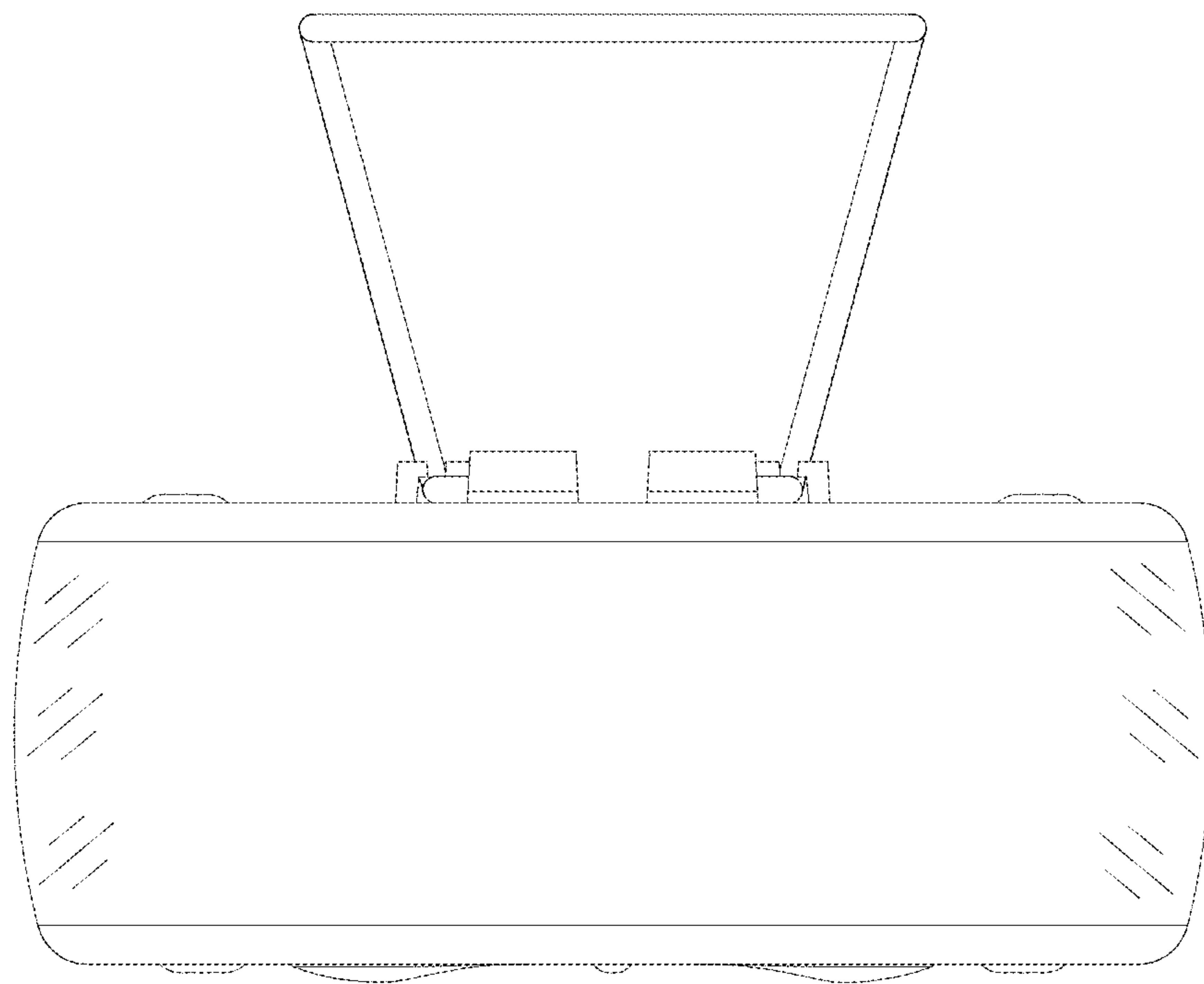


FIG . 5

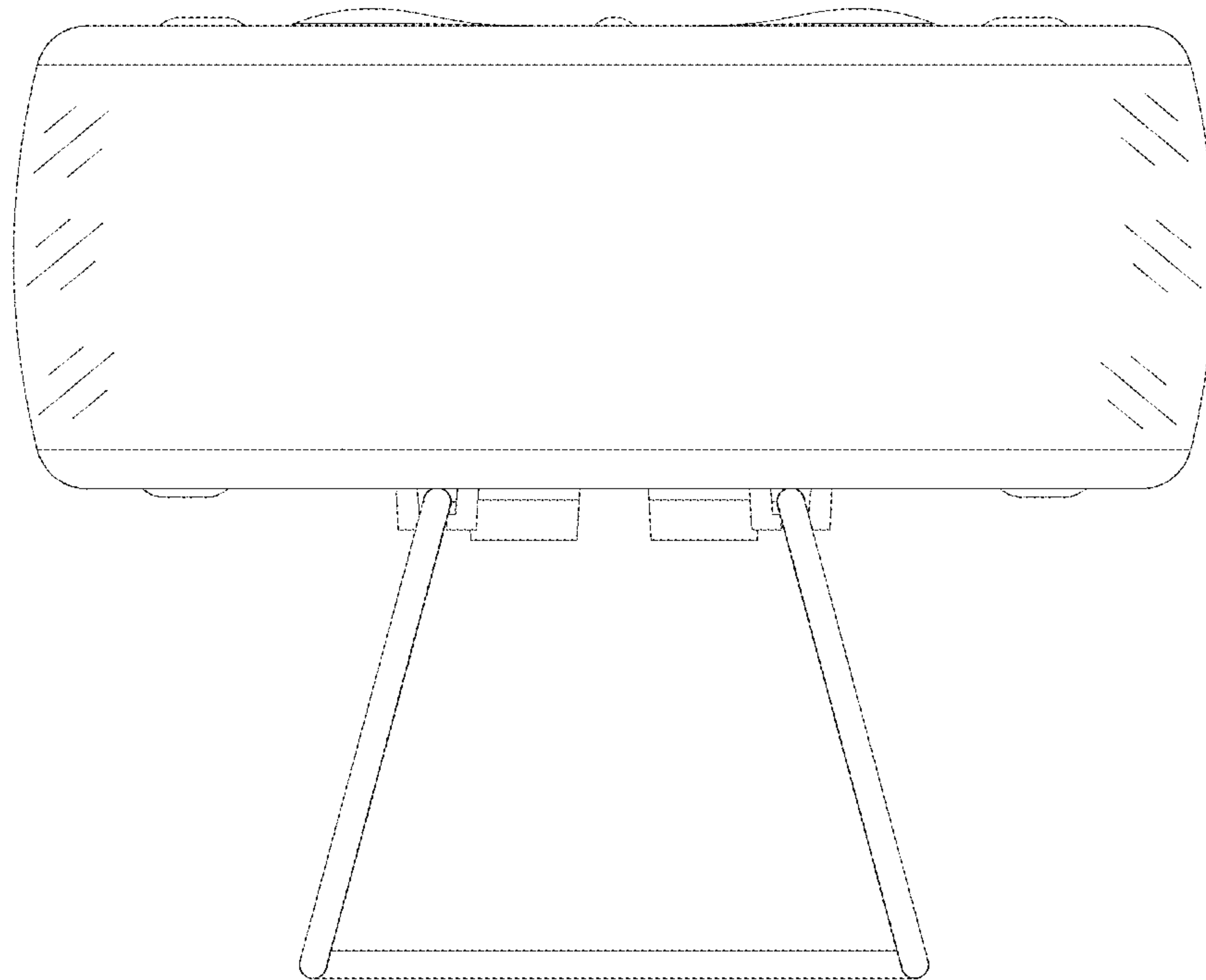


FIG . 6



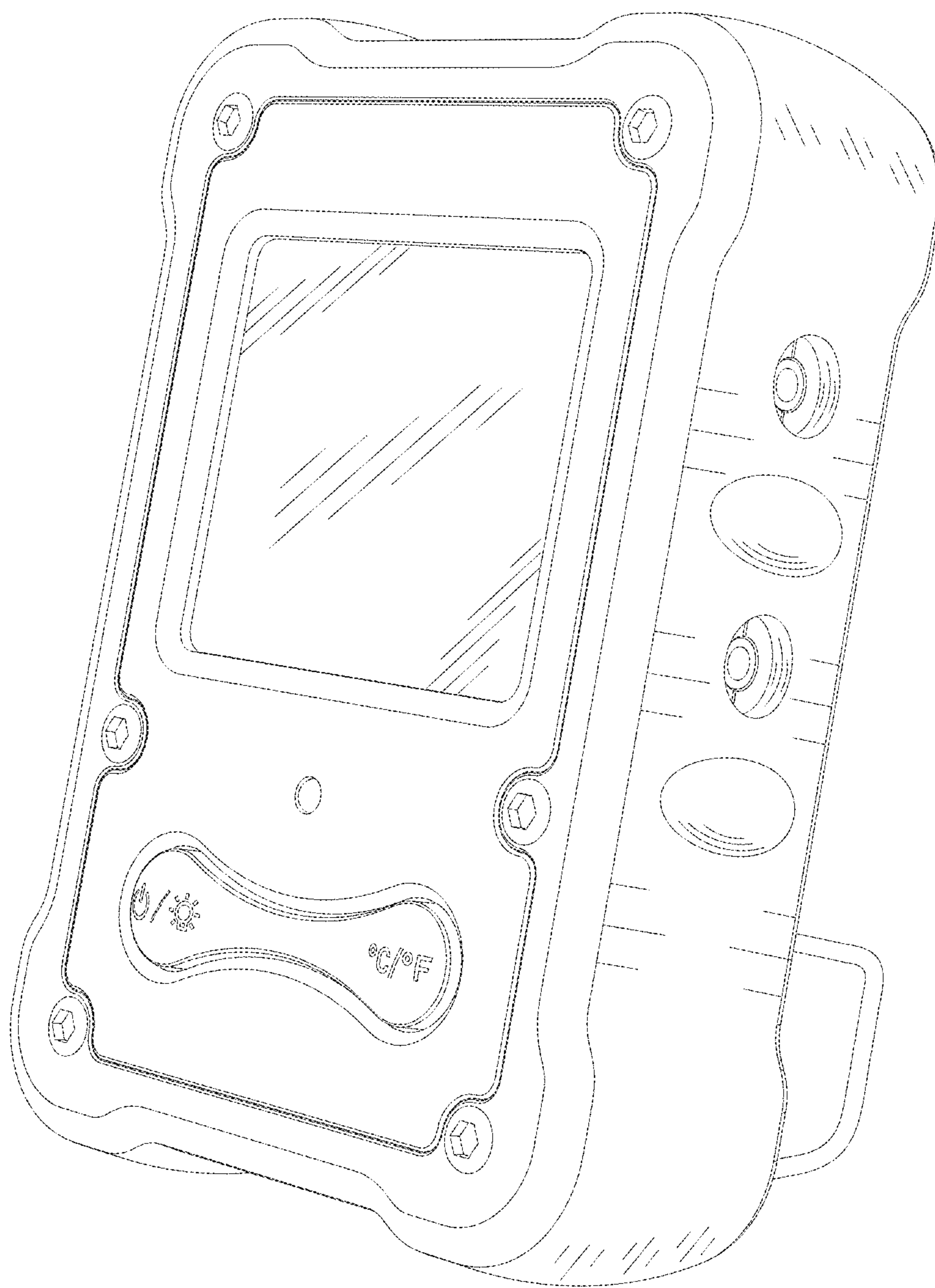


FIG . 7

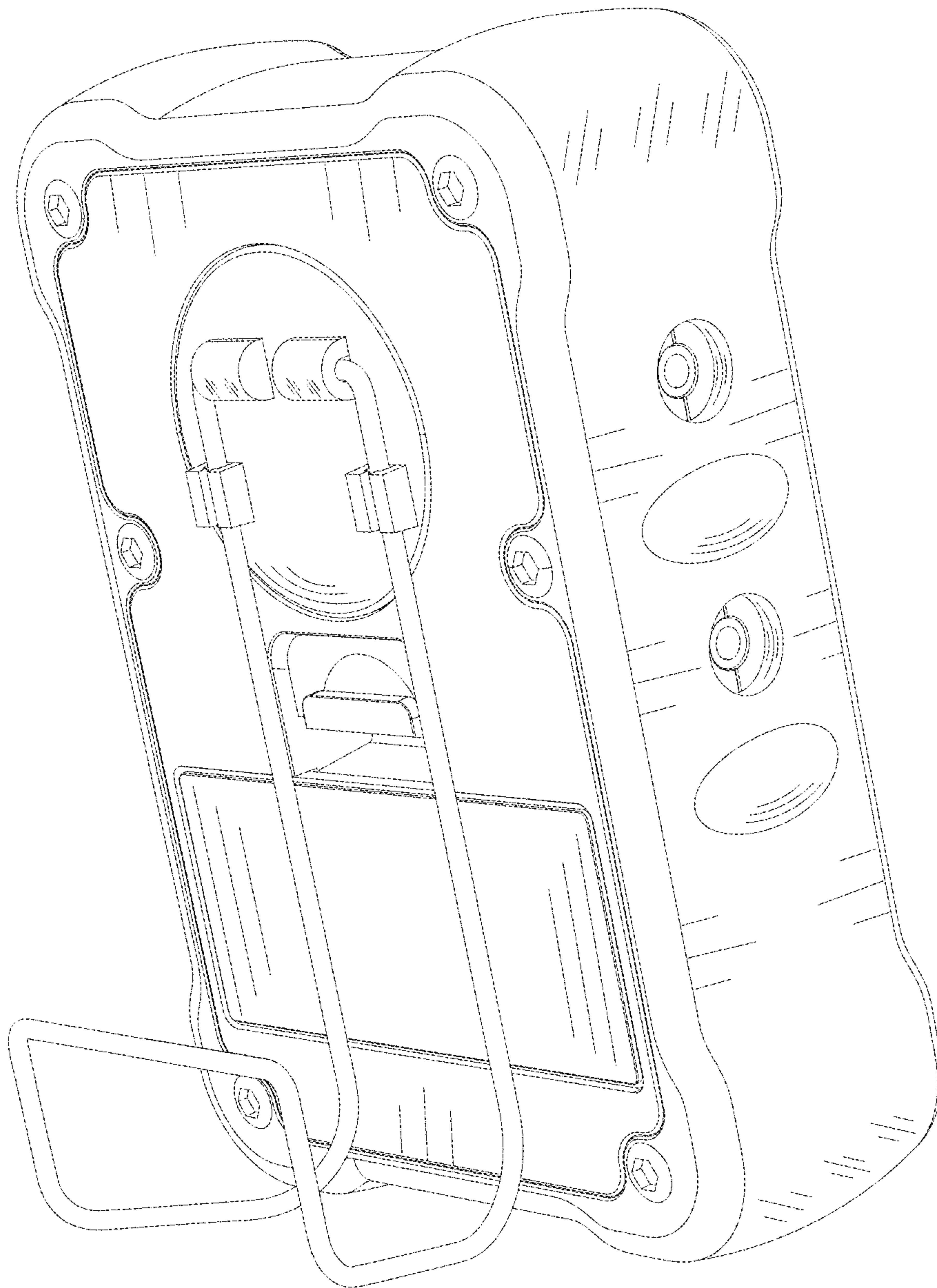


FIG . 8