

US00D929874S

(12) **United States Design Patent** (10) **Patent No.:** **US D929,874 S**
Mille (45) **Date of Patent:** **** Sep. 7, 2021**

(54) **WATCH**
(71) Applicant: **Turlen Holding SA**, Les Breuleux (CH)
(72) Inventor: **Richard Mille**, Moulins (FR)
(73) Assignee: **TURLEN HOLDING SA**, Les Breuleux (CH)
(**) Term: **15 Years**
(21) Appl. No.: **29/726,447**
(22) Filed: **Mar. 3, 2020**

D456,274 S * 4/2002 Mille D10/30
D570,710 S * 6/2008 Wong D10/30
D606,423 S * 12/2009 Mille D10/38
D664,047 S * 7/2012 Mille D10/39
D692,323 S * 10/2013 Mille D10/39
D693,245 S * 11/2013 Mille D10/39
D694,657 S * 12/2013 Mille D10/39
8,638,643 B1 * 1/2014 Al Hashash G04B 19/30
368/23
D710,216 S * 8/2014 Mille D10/38
D714,662 S * 10/2014 Mille D10/39
D731,900 S * 6/2015 Mille D10/39
D736,653 S * 8/2015 Mille D10/39

(Continued)

(30) **Foreign Application Priority Data**
Oct. 14, 2019 (WO) 088439
(51) **LOC (13) Cl.** **10-02**
(52) **U.S. Cl.**
USPC **D10/39**
(58) **Field of Classification Search**
USPC D10/30-39, 98, 121-128, 131-132
CPC G04B 19/00; G04B 19/06; G04B 19/065;
G04B 19/08; G04B 19/085; G04B 19/10;
G04B 19/103; G04B 19/12; G04B 37/00;
G04B 37/0058; G04B 37/1486; G04B
45/00; G04B 45/0069; G04B 45/0076;
G04B 19/26; G04B 19/226; G04B
19/025; G04B 19/04
See application file for complete search history.

(56) **References Cited**
U.S. PATENT DOCUMENTS
3,183,659 A * 5/1965 Etienne G04B 33/10
368/220
D244,672 S * 6/1977 Molyneux D10/126
D291,814 S * 9/1987 Cafaro, Jr. D10/127
4,711,583 A * 12/1987 Oechslin G04B 19/26
368/16

OTHER PUBLICATIONS

Introducing-the-richard-mille-rm-52-05-tourbillon-pharrell | revolution.
watch.com Nov. 14, 2019 [online], © 2021 REVOLUTION [retrieved
Jan. 29, 2021] from Internet: <https://revolution.watch/introducing-
the-richard-mille-rm-52-05-tourbillon-pharrell-williams/> (Year: 2019).*

Primary Examiner — Katherine Glennon
(74) *Attorney, Agent, or Firm* — Donald J. Ranft; Collen

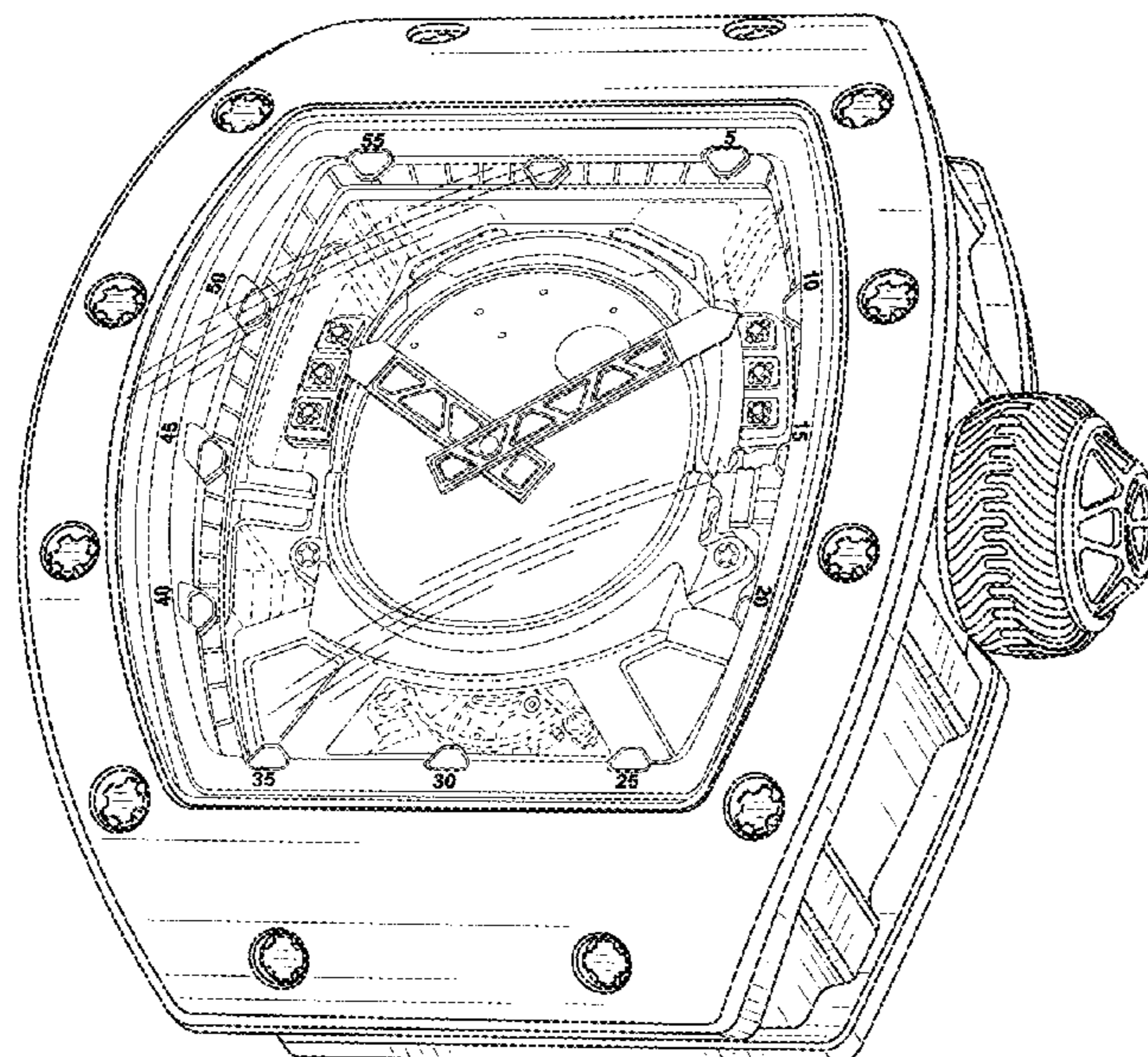
(57) **CLAIM**

The ornamental design for a watch, as shown and described.

DESCRIPTION

FIG. 1 is a front perspective view of a watch showing my new design;
FIG. 2 is a front view thereof;
FIG. 3 is a rear view thereof;
FIG. 4 is a left side view thereof;
FIG. 5 is a right side view thereof;
FIG. 6 is a top view thereof;
FIG. 7 is a bottom view thereof; and,
FIG. 8 is a rear perspective view thereof.
The portions of the watch shown in broken lines form no part of the claimed design.

1 Claim, 8 Drawing Sheets



(56)

References Cited

U.S. PATENT DOCUMENTS

D755,647 S * 5/2016 Mille D10/39
D789,807 S * 6/2017 Mille D10/39
D795,118 S * 8/2017 Monachon D10/126
D799,342 S * 10/2017 Mille D10/30
D824,794 S * 8/2018 Monachon D10/128
D838,608 S * 1/2019 Mille D10/39
D850,296 S * 6/2019 Mille D10/39
2009/0046539 A1 * 2/2009 Plomb G04B 45/0038
368/16
2010/0046328 A1 * 2/2010 Olsen G04B 19/04
368/30
2013/0051197 A1 * 2/2013 Sato G04B 19/065
368/235
2016/0026153 A1 * 1/2016 Gilomen G04B 19/22
368/15
2017/0255166 A1 * 9/2017 Suzuki G04B 19/042
2019/0025765 A1 * 1/2019 Bonadei G04B 19/04
2019/0286057 A1 * 9/2019 Hurni G04B 19/12

* cited by examiner



FIG. 1

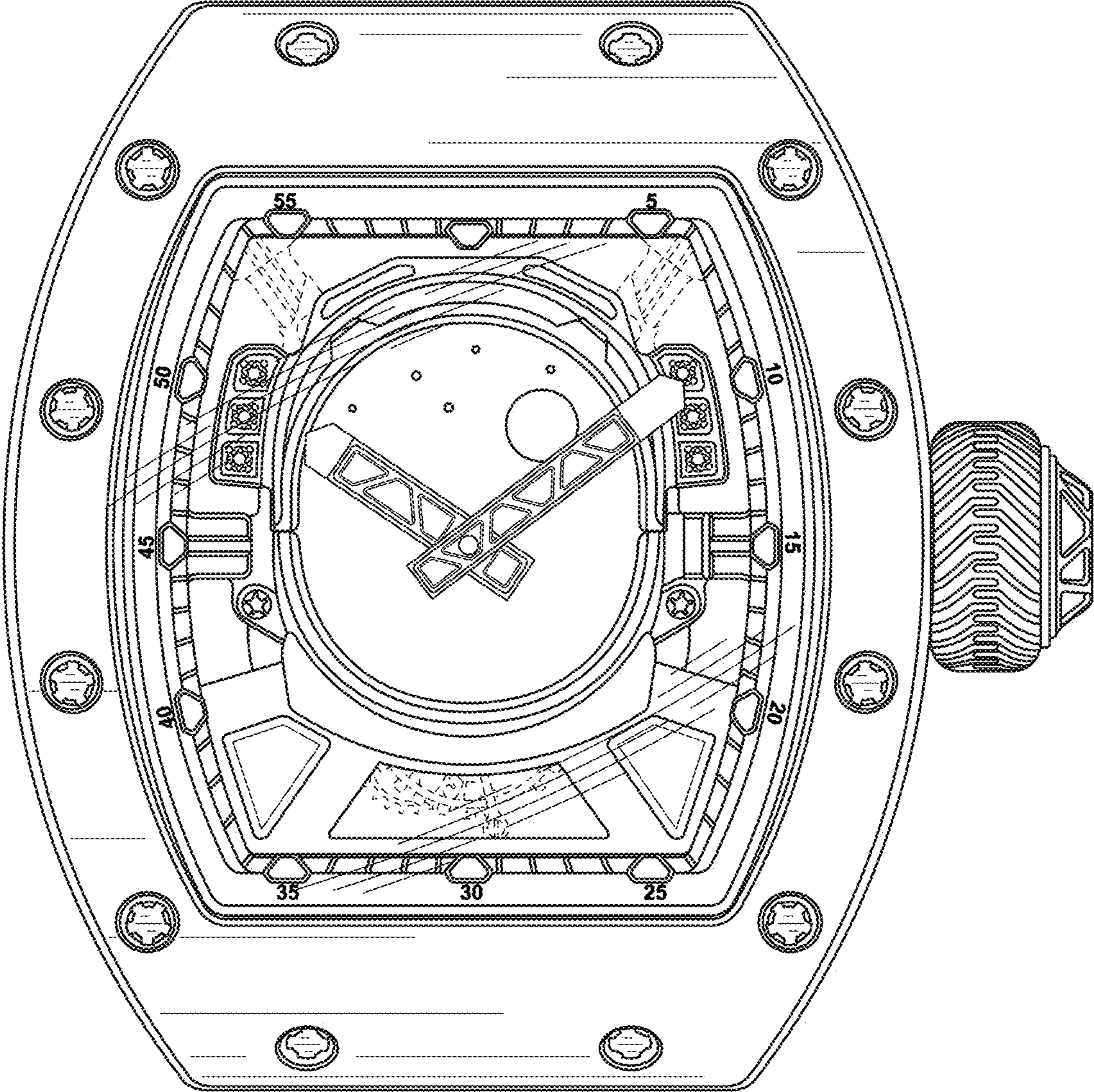


FIG. 2



FIG. 3

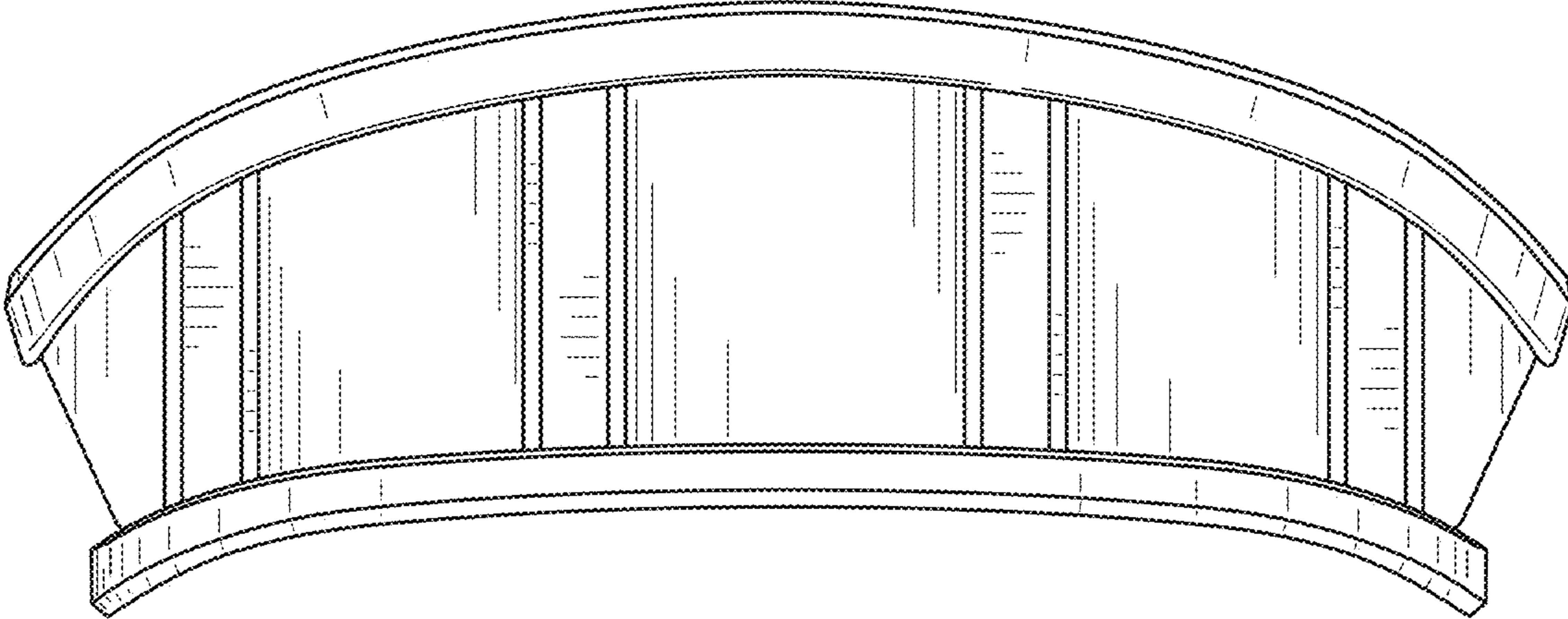


FIG. 4

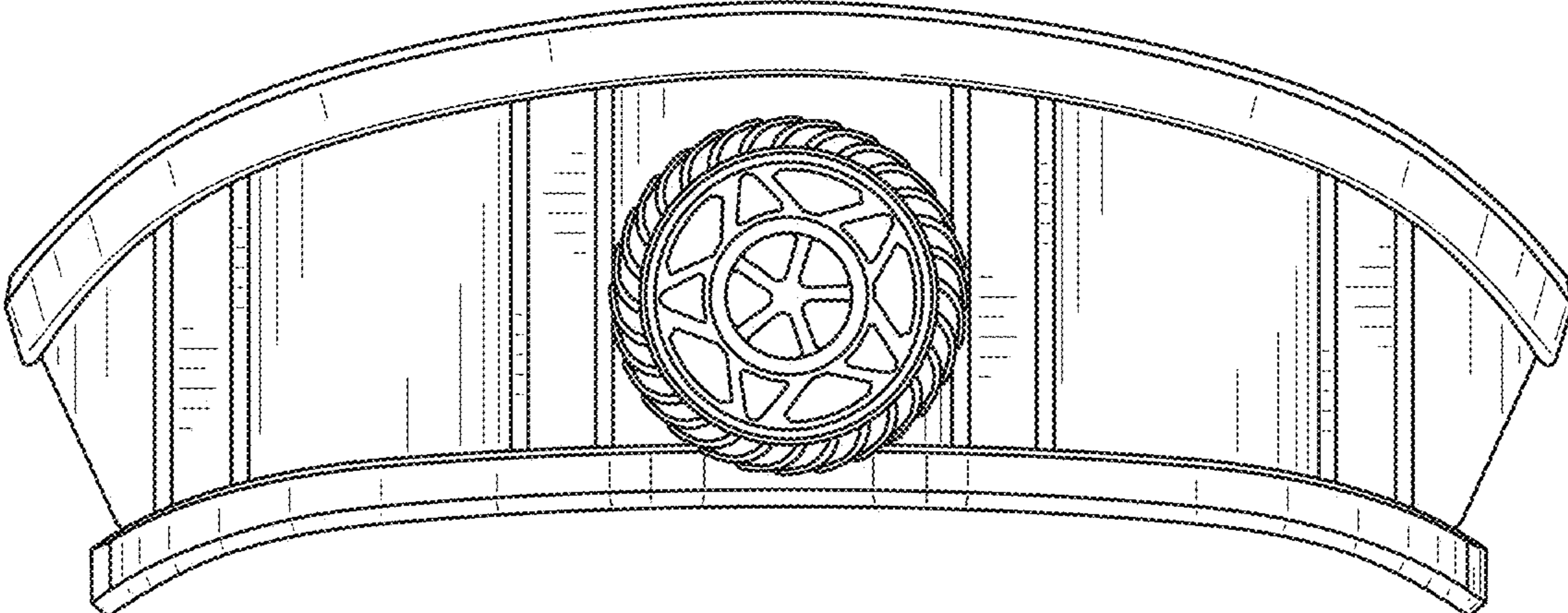


FIG. 5

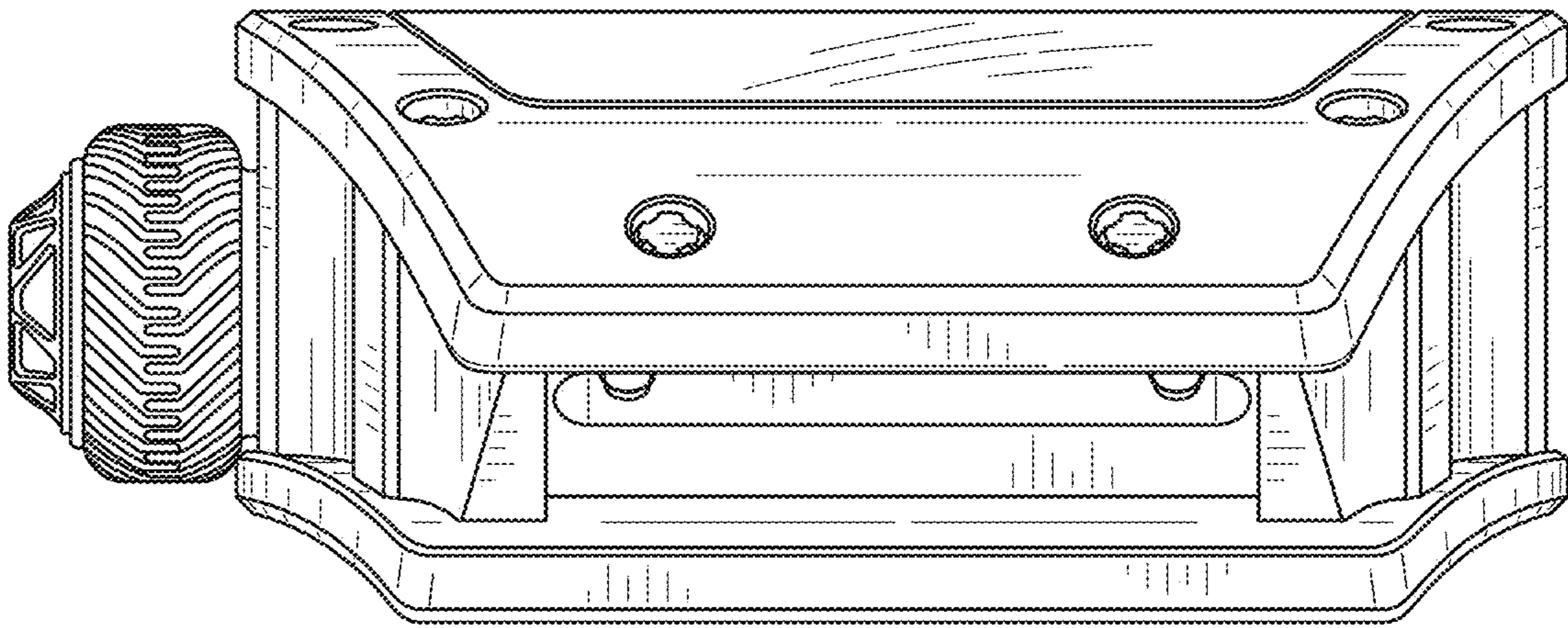


FIG. 6

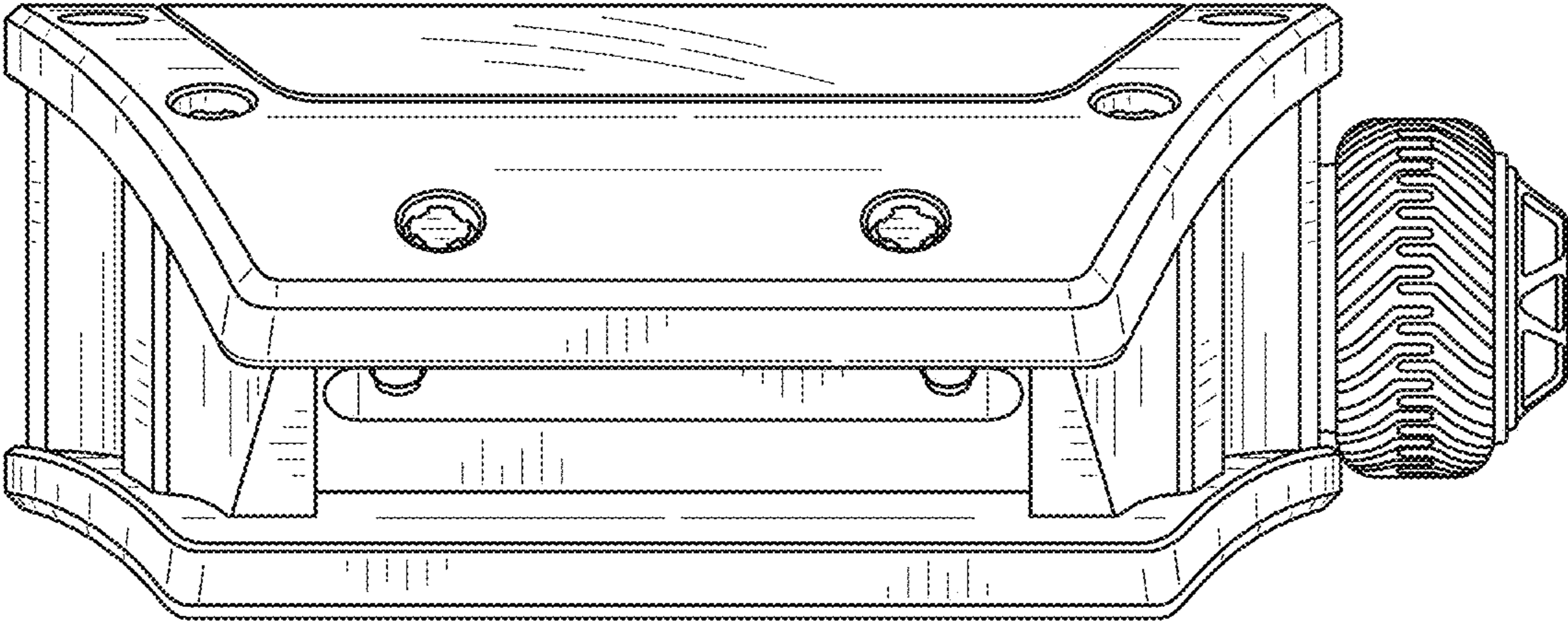


FIG. 7

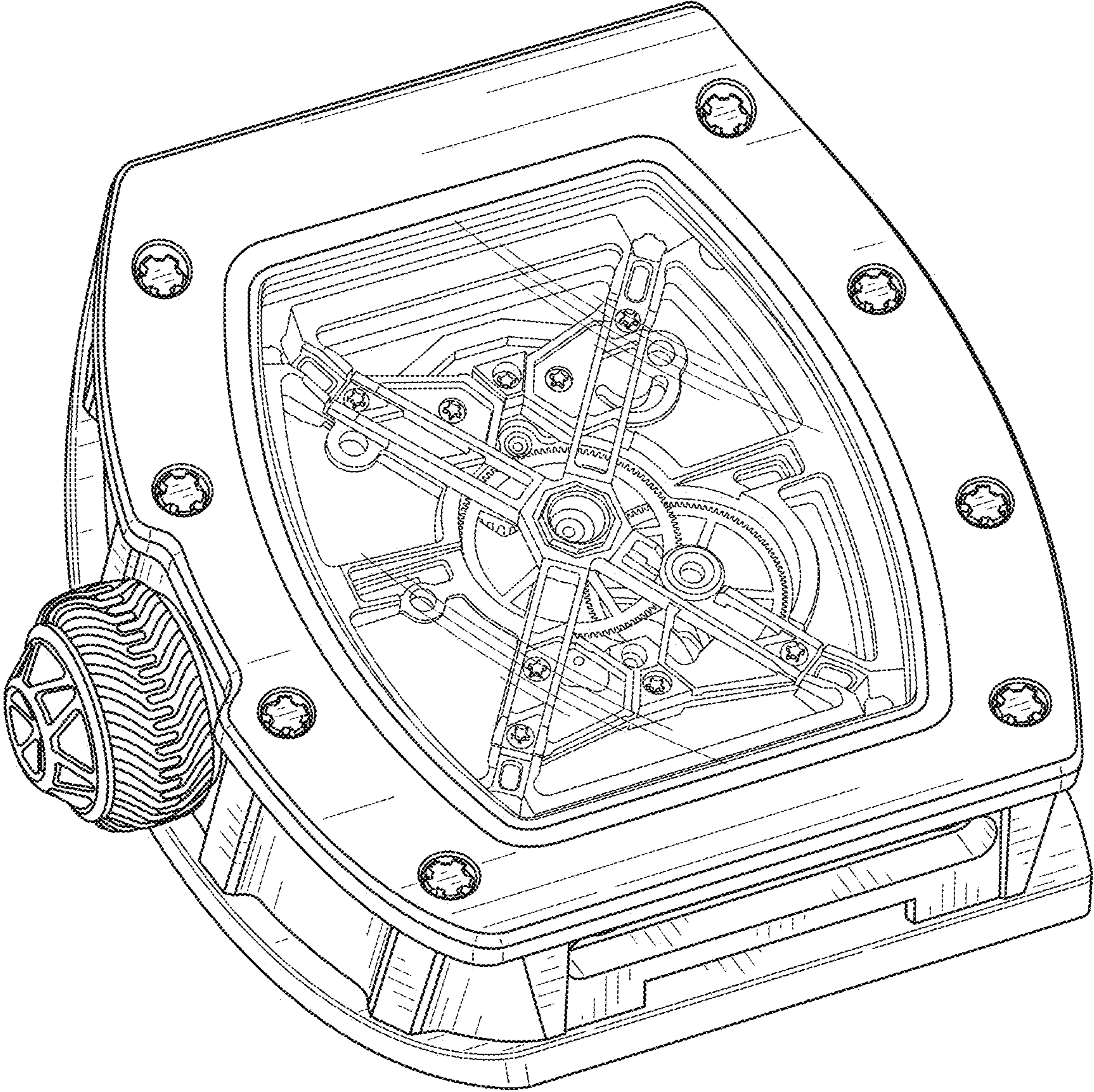


FIG. 8