



US00D929868S

(12) **United States Design Patent**
Kataoka et al.

(10) **Patent No.:** **US D929,868 S**

(45) **Date of Patent:** **** Sep. 7, 2021**

(54) **BOTTLE**

D308,334 S 6/1990 Gormley et al.
D322,027 S * 12/1991 Knudsen D9/516
D343,580 S 1/1994 Reynaud
(Continued)

(71) Applicant: **SUNTORY HOLDINGS LIMITED**,
Osaka (JP)

(72) Inventors: **Keisuke Kataoka**, Tokyo (JP); **Akiko Furusho**, Tokyo (JP)

FOREIGN PATENT DOCUMENTS

AU 201310168 2/2013
AU 201310803 4/2013
(Continued)

(73) Assignee: **SUNTORY HOLDINGS LIMITED**,
Osaka (JP)

(**) Term: **15 Years**

OTHER PUBLICATIONS

<http://alanglassbottle.en.made-in-china.com/productimage/gSwEZpcYEHWe-2f1j00rKMQ> (last accessed Feb. 7, 2018).
(Continued)

(21) Appl. No.: **29/688,923**

(22) Filed: **Apr. 25, 2019**

Primary Examiner — Dana Meyrow

(30) **Foreign Application Priority Data**

Dec. 6, 2018 (JP) 2018-026574

(74) *Attorney, Agent, or Firm* — Greenblum & Bernstein, P.L.C.

(51) **LOC (13) Cl.** **09-01**

(57) **CLAIM**

(52) **U.S. Cl.**
USPC **D9/563; D9/520; D9/560; D9/572; D9/575**

We claim the ornamental design for a bottle, as shown and described.

(58) **Field of Classification Search**

USPC D9/434, 516, 520, 522-523, 544, 546, D9/559-560, 563, 574, 572, 715, 719
CPC B65D 1/00; B65D 1/02; B65D 1/0223; B65D 1/023; B65D 23/00; B65D 2501/00; B65D 2501/0009; B65D 2501/0081

DESCRIPTION

See application file for complete search history.

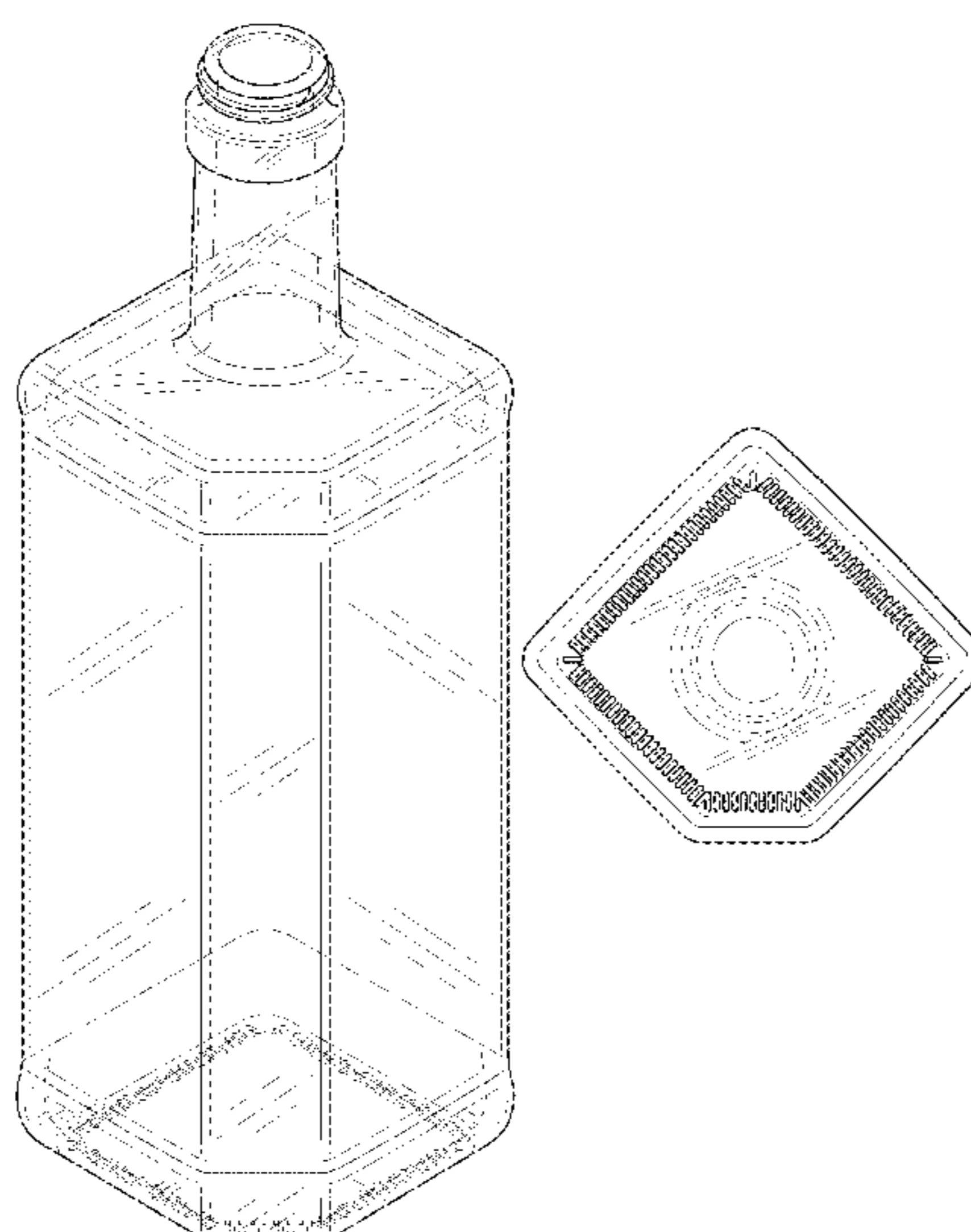
FIG. 1 is a top and front perspective view of a bottle;
FIG. 2 is a top and rear perspective view thereof;
FIG. 3 is a front elevational view thereof;
FIG. 4 is a rear elevational view thereof;
FIG. 5 is a bottom plan view thereof;
FIG. 6 is a top plan view thereof;
FIG. 7 is a left side elevational view thereof;
FIG. 8 is a right side elevational view thereof;
FIG. 9 is a cross-sectional view of the bottle taken along section line 9-9 of FIG. 3; and,
FIG. 10 is an enlarged cross-sectional view of the bottle taken along section line 10-10 of FIG. 3.
The shade lines in the Figures show contour and not surface ornamentation. The article of this design is transparent entirely.

(56) **References Cited**

U.S. PATENT DOCUMENTS

D92,640 S 6/1934 Ennever
D254,710 S * 4/1980 Leger D9/516
D266,741 S * 11/1982 Cox D9/560
D268,329 S 3/1983 Cointreau
D272,602 S 2/1984 Gregory
D280,708 S * 9/1985 Yoshimura D9/520
D283,398 S * 4/1986 Van Dine D9/516

1 Claim, 10 Drawing Sheets



(56)

References Cited

U.S. PATENT DOCUMENTS

D484,419 S	12/2003	Potocki et al.	
D553,000 S	10/2007	Barbagli	
D580,771 S	11/2008	Rica	
D580,773 S *	11/2008	Rica	D9/544
D581,800 S	12/2008	Rica	
D586,659 S	2/2009	Delbon	
D628,491 S *	12/2010	Themann	D9/544
D630,100 S	1/2011	Wanet	
D682,704 S	5/2013	Reynolds	
D682,705 S	5/2013	Reynolds	
D714,652 S	10/2014	Shaw et al.	
D719,455 S	12/2014	Perez-Cabrera	
D724,952 S *	3/2015	Humm	D9/544

FOREIGN PATENT DOCUMENTS

AU	201310802	5/2013
AU	201514798	9/2015
AU	303910926	11/2016
AU	201711432	4/2017
AU	201714560	10/2017
DE	402009001830-0001	6/2009
EM	975776-1	7/2008
JP	200304423	11/2004
JP	200400996	1/2005
JP	1242134	6/2005
JP	1284326	10/2006
JP	1284927	10/2006
JP	1465287	3/2013
JP	1584922	8/2017
JP	2018-026573	12/2018
JP	2018-026574	12/2018
KR	30-2004-0008517	9/2004
KR	30-2006-0020996	12/2006
KR	30-2007-0026815	1/2008
KR	30-2012-0058433	7/2013
KR	30-2015-0032576	3/2016
RU	59251	6/2006
RU	67673	9/2008
RU	85987	8/2013
RU	87521	1/2014
RU	101362	1/2017
SG	20061088	1/2007
SG	20061089	1/2007
TW	119826	11/2007

TW	119829	11/2007
TW	120187	12/2007
TW	121991	3/2008
TW	125286	10/2008
TW	128622	5/2009
TW	132614	12/2009
TW	135580	7/2010
TW	136312	8/2010
TW	140492	5/2011
TW	142376	9/2011
TW	1200630.0M002	4/2012
TW	1200925.6M005	5/2012
TW	148679	8/2012
TW	152236	3/2013
TW	152238	3/2013
TW	152432	3/2013
TW	152433	3/2013
TW	152434	3/2013
TW	152437	3/2013
TW	152438	3/2013
TW	155026	8/2013
TW	156111	9/2013
TW	156745	11/2013
TW	156746	11/2013
TW	157977	12/2013
TW	158184	1/2014
TW	159611	4/2014
TW	166454	3/2015
TW	169158	7/2015
TW	171646	11/2015
TW	171647	11/2015
TW	171855	11/2015
TW	173397	2/2016
TW	1700433.6	3/2017
TW	184439	7/2017
WO	082856	2/2014
WO	095735	5/2017

OTHER PUBLICATIONS

http://squareoneorganicspirits.com/content/images/SQ1_StraightBergamotHighRes-CMYK.jpg (last accessed Feb. 7, 2018).
<http://lovelypackage.com/frozen-ghost-vodka/> (last accessed Feb. 7, 2018).
 Notice of Allowance issued in counterpart Taiwanese Design Patent Application No. 108302308 dated Nov. 29, 2019 (with English translation).

* cited by examiner

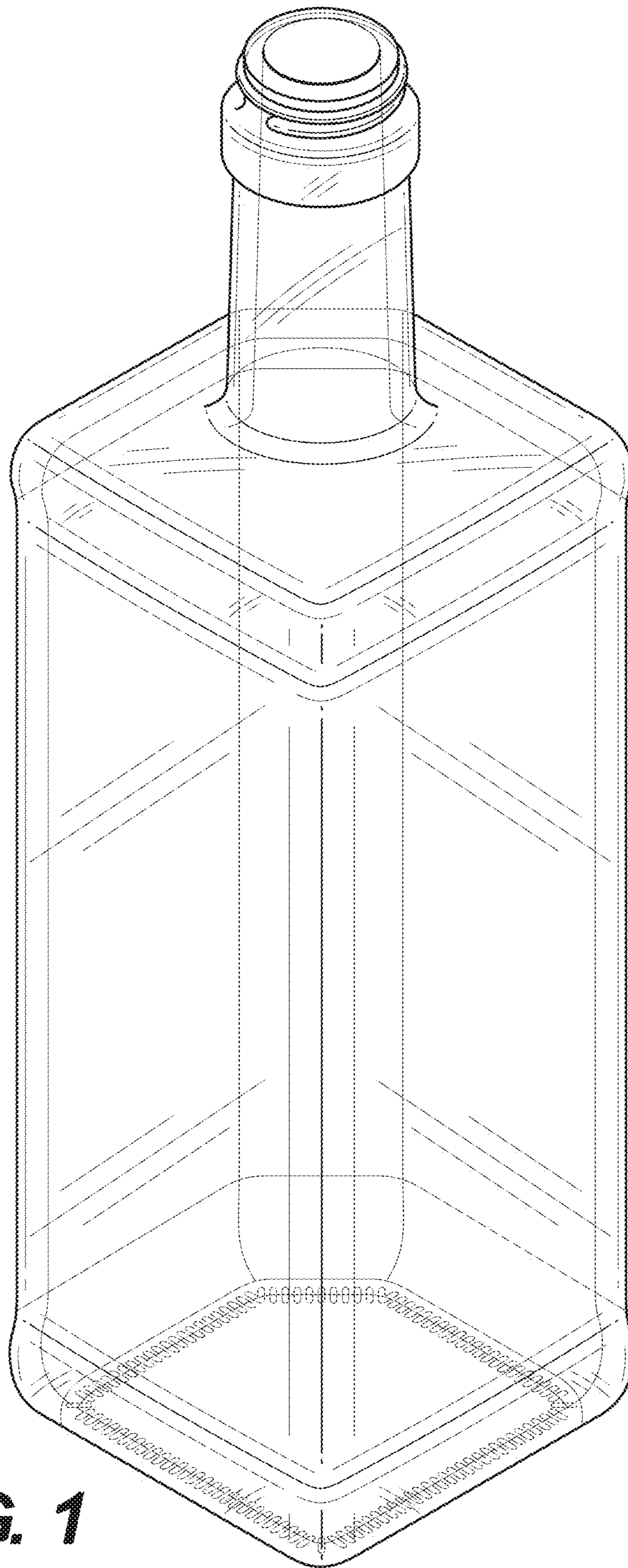


FIG. 1

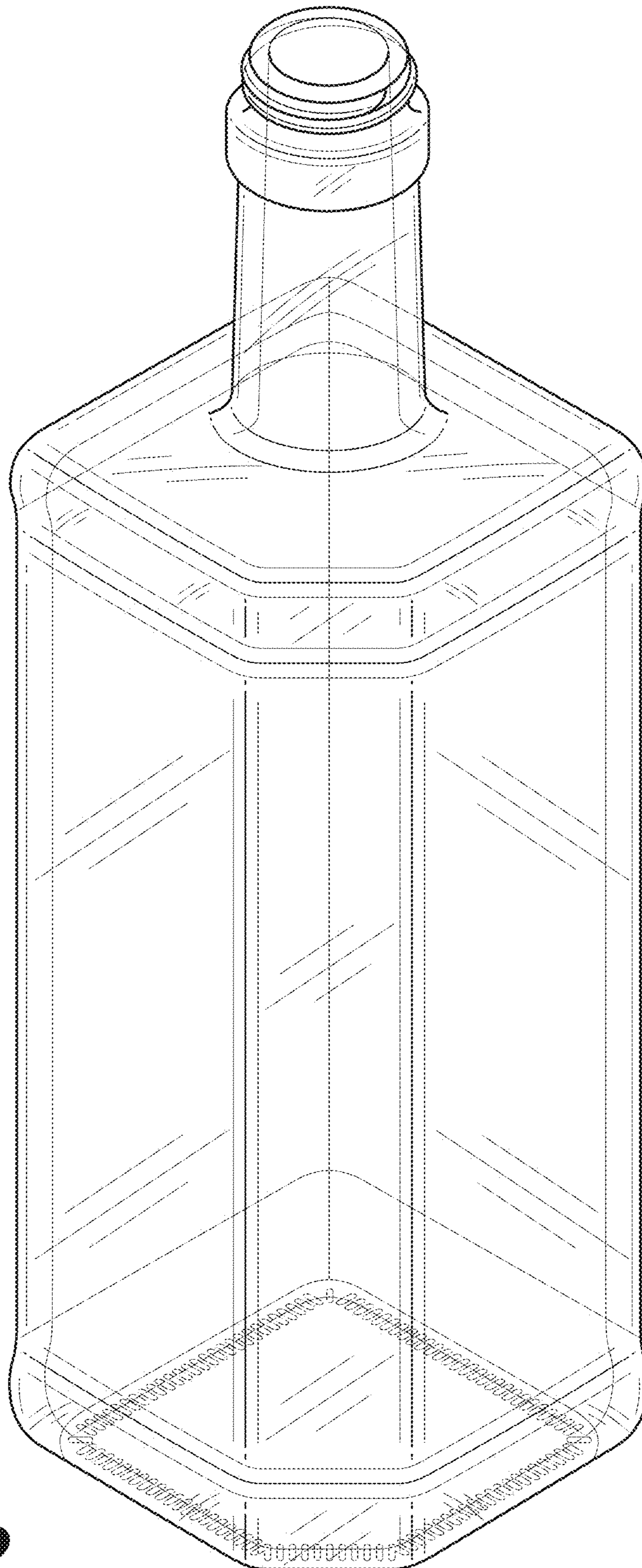


FIG. 2

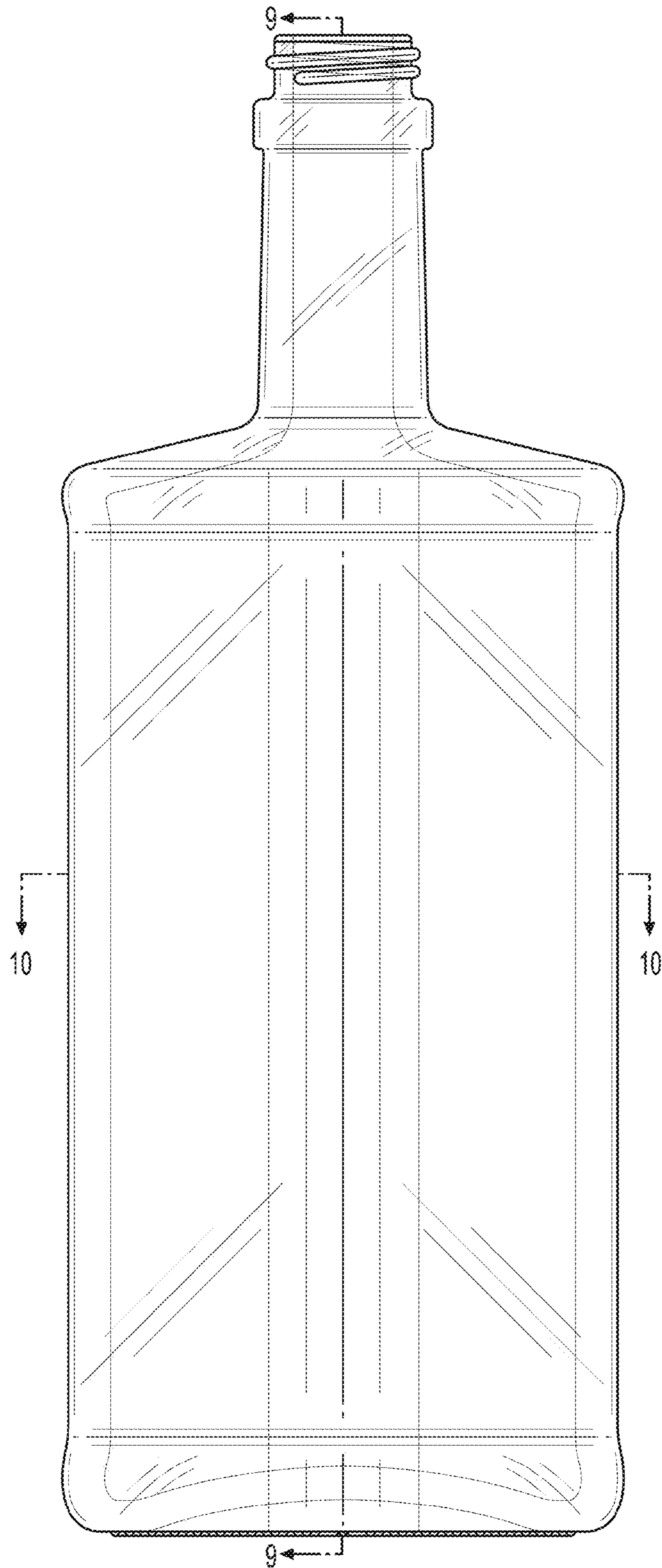


FIG. 3

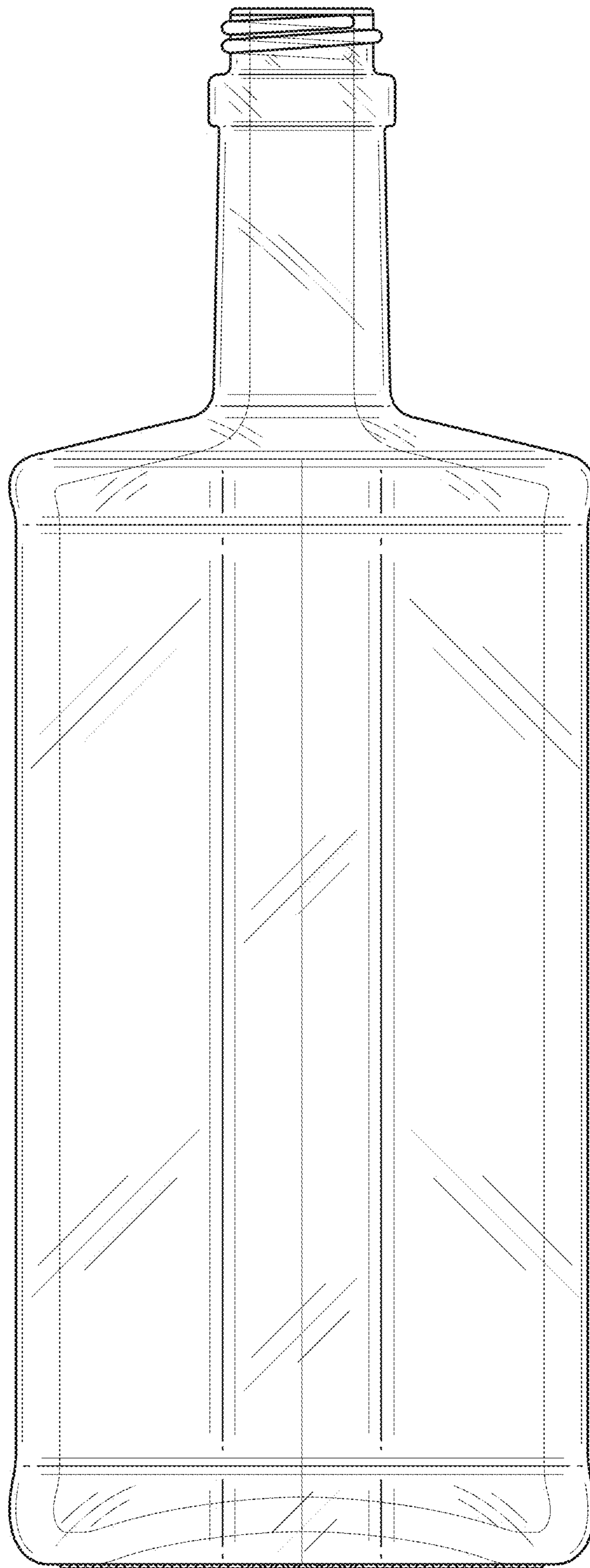


FIG. 4

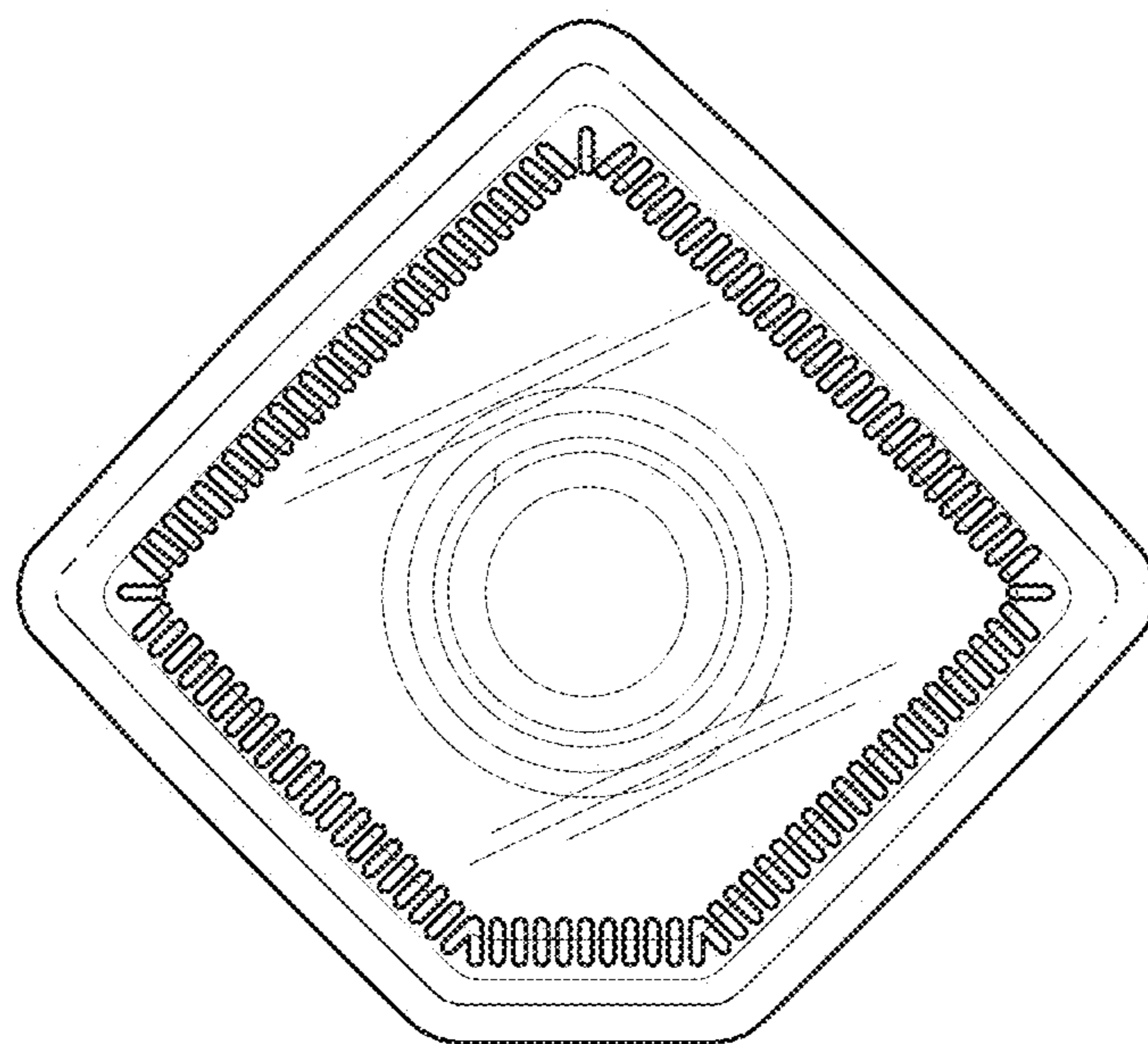


FIG. 5

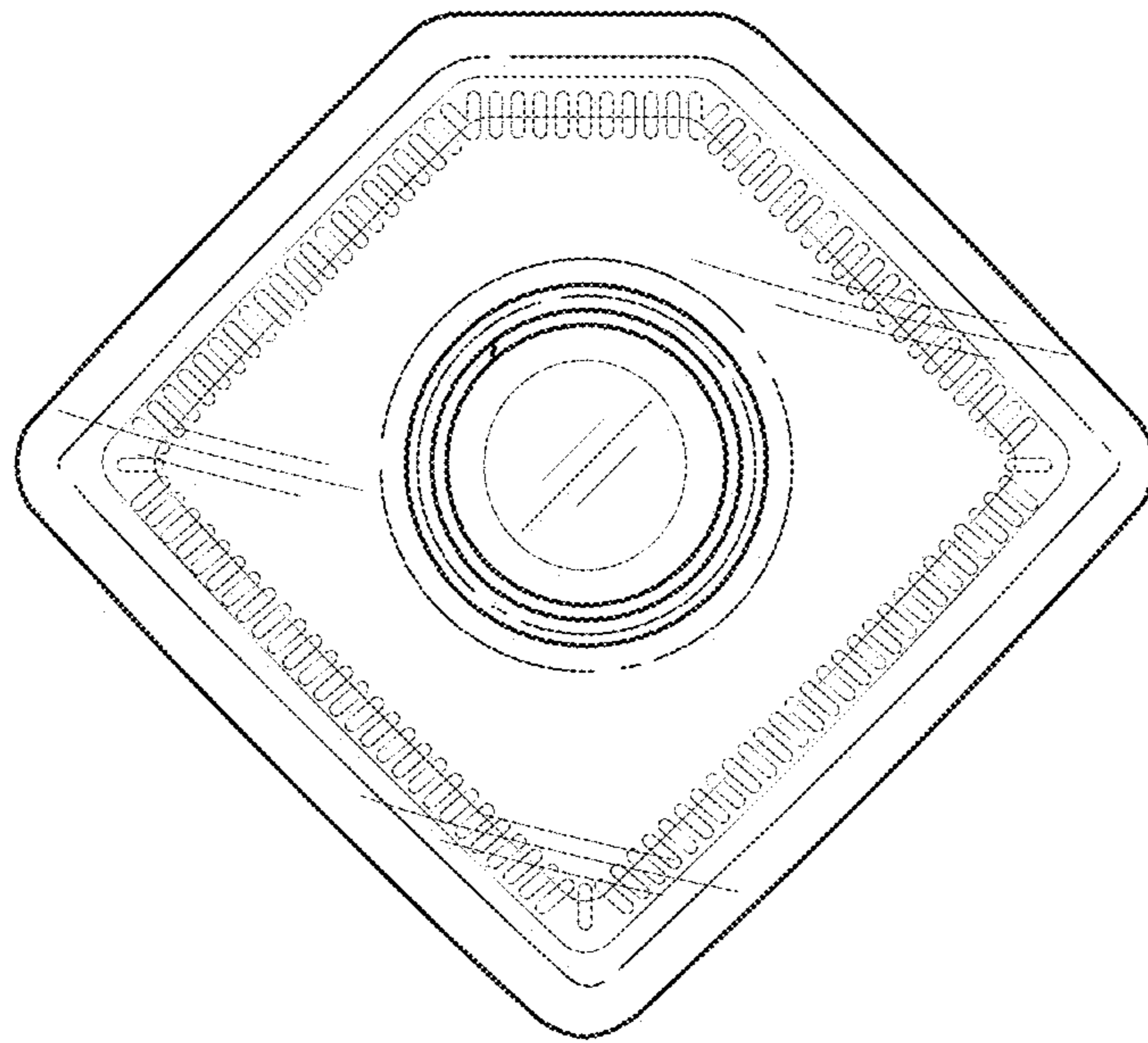


FIG. 6

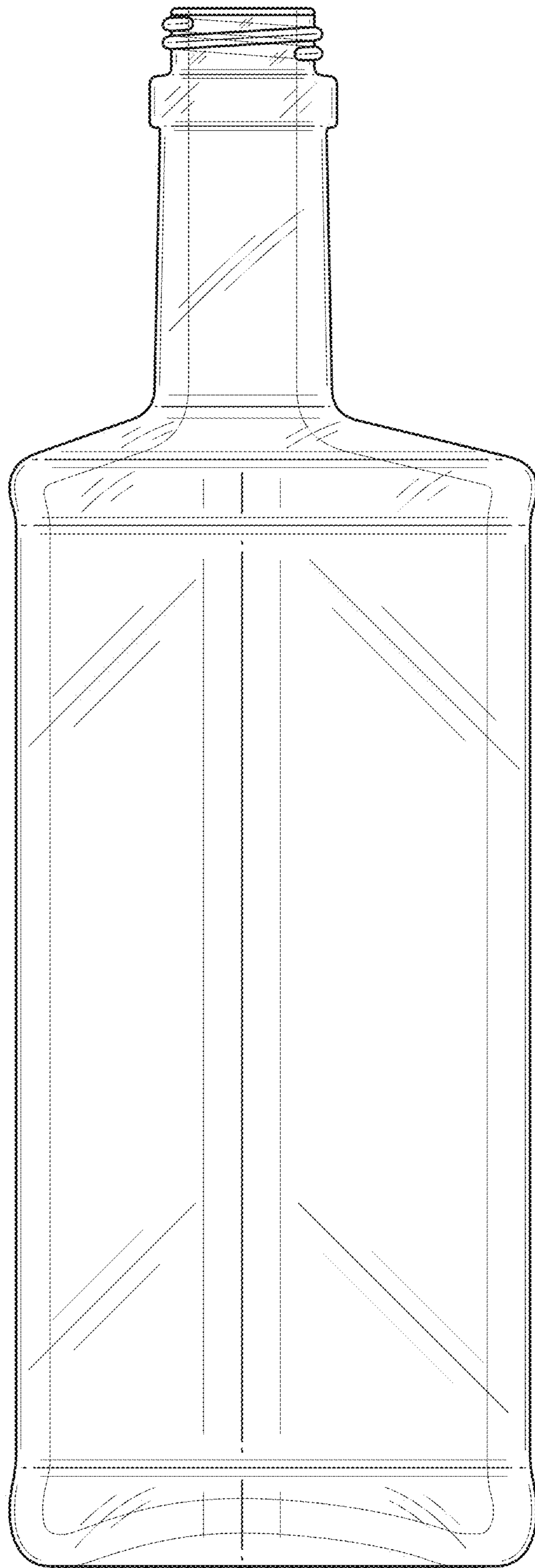


FIG. 7

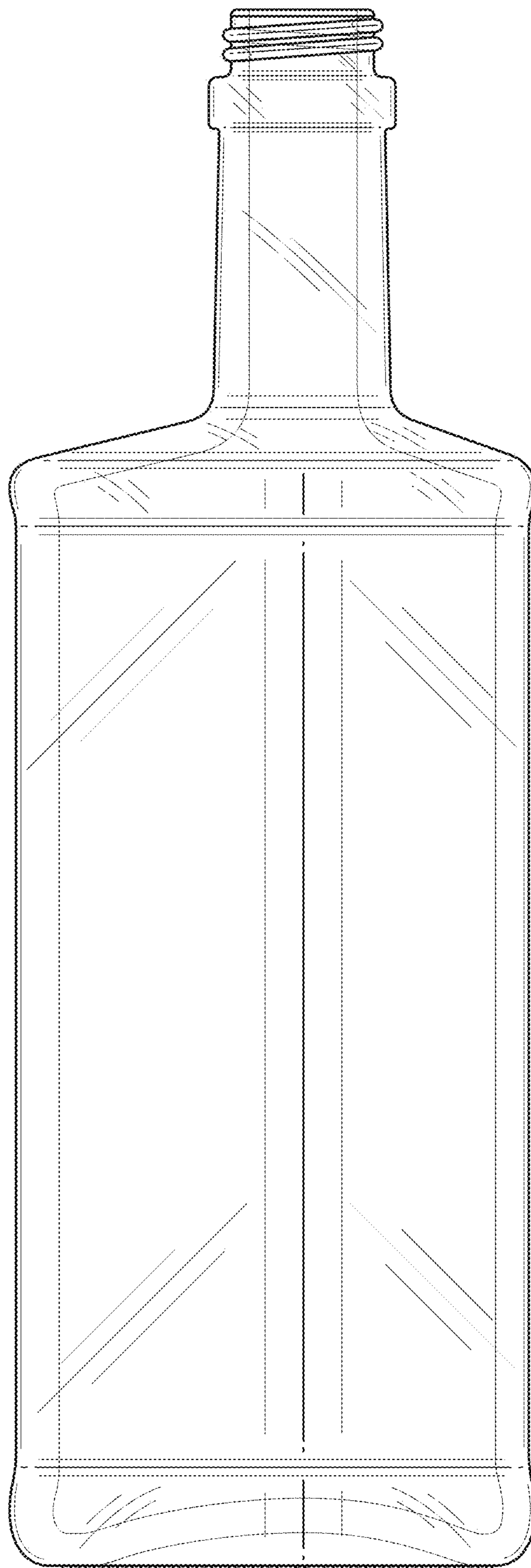


FIG. 8

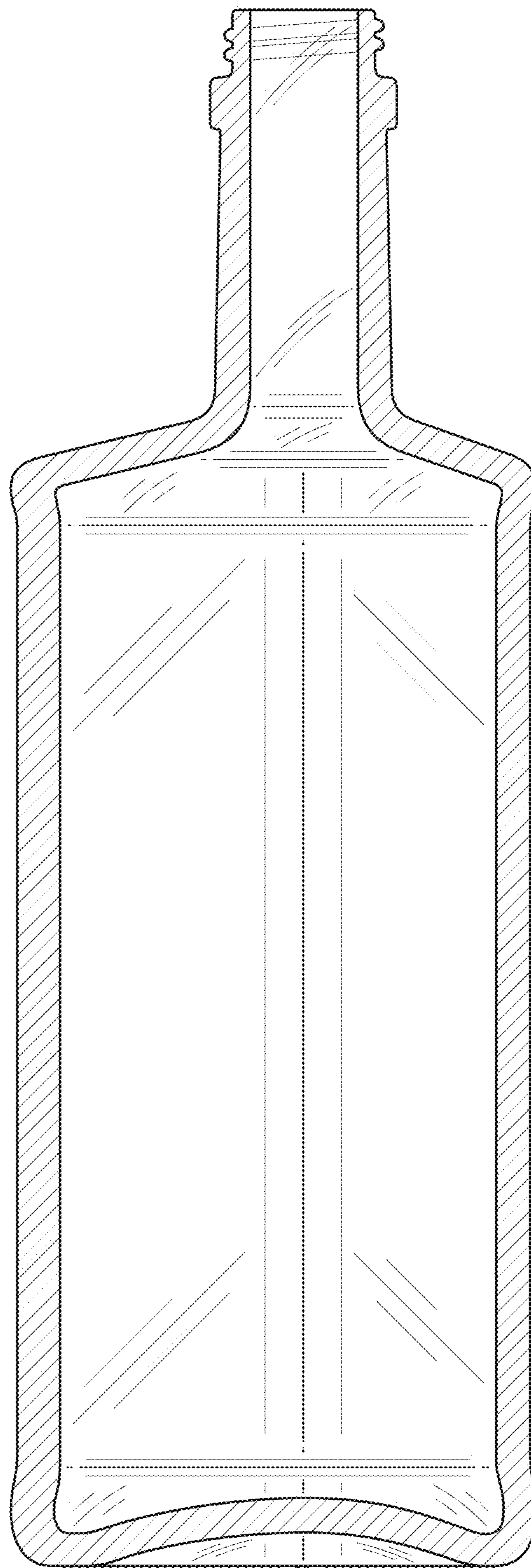


FIG. 9

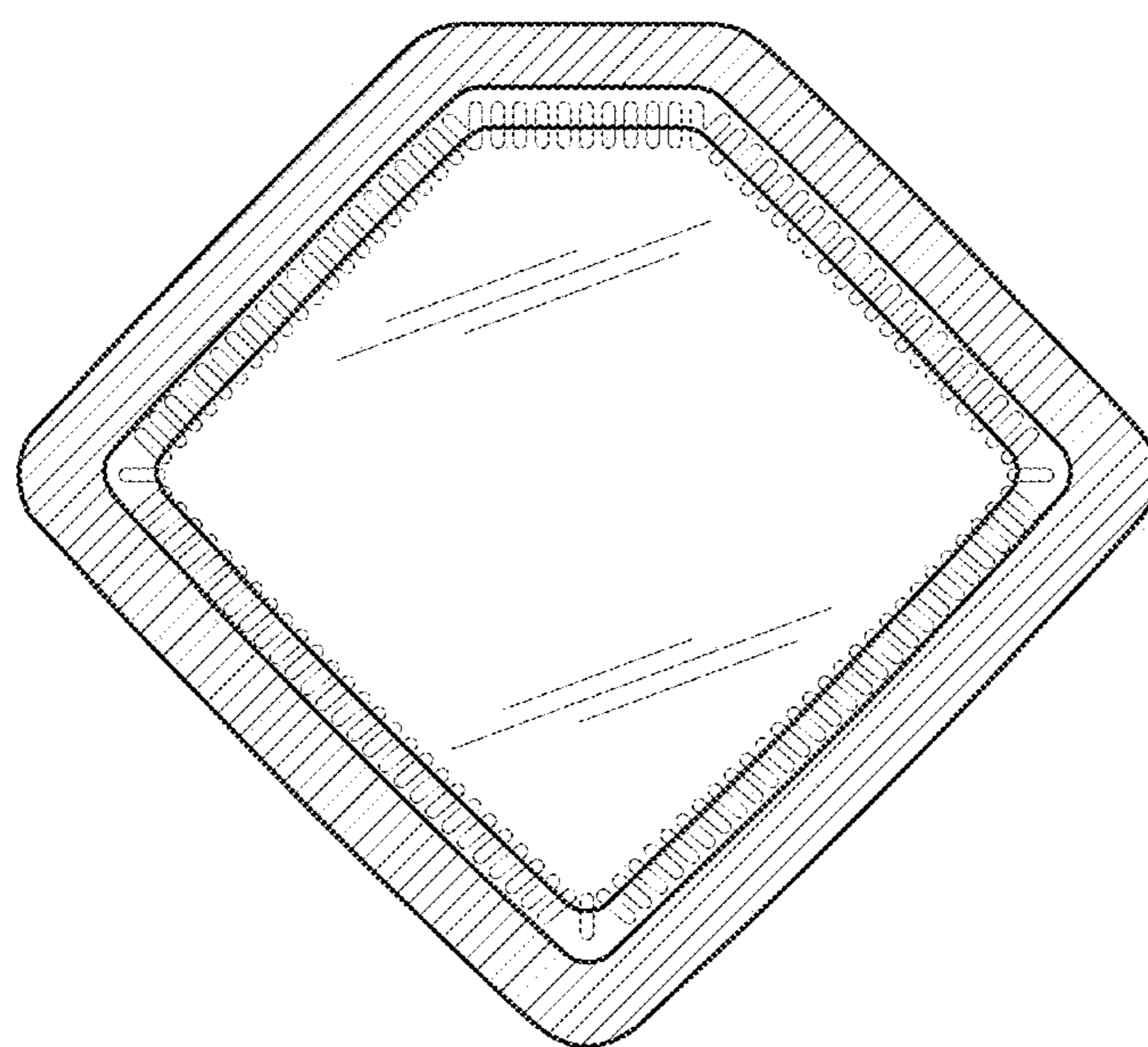


FIG. 10