

US00D929867S

(12) **United States Design Patent**  
**Hatton et al.**

(10) **Patent No.:** **US D929,867 S**

(45) **Date of Patent:** **\*\* Sep. 7, 2021**

(54) **CONTAINER**

(71) Applicant: **Conopco, Inc.**, Englewood Cliffs, NJ  
(US)

(72) Inventors: **Oliver James Hatton**, Eindhoven (NL);  
**Nicolas Schmitt**, Eindhoven (NL);  
**Sander Willem Thijssen**, Eindhoven  
(NL)

(73) Assignee: **Conopco, Inc.**, Englewood Cliffs, NJ  
(US)

(\*\*) Term: **15 Years**

(21) Appl. No.: **29/698,637**

(22) Filed: **Jul. 18, 2019**

(51) **LOC (13) Cl.** ..... **09-01**

(52) **U.S. Cl.**  
USPC ..... **D9/549**; D9/575

(58) **Field of Classification Search**  
USPC ..... D9/521, 522, 529, 530, 536, 542–545,  
D9/549, 552, 558, 573–575, 454, 504,  
D9/563, 524, 684, 689, 691; D3/202  
CPC .. A45D 34/041; B65D 1/0223; B65D 23/102;  
B65D 2501/0081

See application file for complete search history.

(56) **References Cited**

**U.S. PATENT DOCUMENTS**

D230,954 S *	3/1974	Gregoriotti	D9/504
D274,471 S *	6/1984	Widmer	D9/521
D281,281 S *	11/1985	Matalon	D9/521
D289,565 S *	4/1987	Mann	D9/529
D302,384 S *	7/1989	Holewinski	D9/529
D310,325 S *	9/1990	Moglia	D9/525
D317,407 S *	6/1991	Gray	D9/529
D342,677 S *	12/1993	Cazaudehore	D9/529
D367,608 S *	3/1996	Stranders	D9/529

D369,097 S *	4/1996	Dinand	D9/529
D391,158 S *	2/1998	Bicknell	D9/529
D403,589 S *	1/1999	Wong	D9/529
D403,590 S *	1/1999	Wong	D9/529
D423,713 S *	4/2000	Szekely	D9/529
D470,415 S *	2/2003	Weber	D9/521
D475,282 S *	6/2003	Snaith	D9/529
D475,298 S *	6/2003	Corrigan	D9/529
D476,897 S *	7/2003	Brozell	D9/521
D492,592 S *	7/2004	Palomino, Jr.	D9/504
D499,653 S *	12/2004	Karim	D9/529
D532,695 S *	11/2006	Grant	D9/521
D573,474 S *	7/2008	Beam	D9/529
D604,168 S *	11/2009	El Ghouyel	D9/529
D616,753 S *	6/2010	Beam et al.	D9/529
D643,294 S *	8/2011	Thorpe	D9/521
D661,192 S *	6/2012	Hwang	D9/504
D691,480 S *	10/2013	Shukla	D9/521
D733,565 S *	7/2015	Leventhal	D9/521

(Continued)

*Primary Examiner* — Brett Miller

*Assistant Examiner* — Rani J Abdallah

(74) *Attorney, Agent, or Firm* — Greenberg Traurig, LLP

(57) **CLAIM**

The ornamental design for a container, as shown and described.

**DESCRIPTION**

FIG. 1 is a top, front and side perspective view of a container showing our new design;

FIG. 2 is a front elevational view of the container;

FIG. 3 is a rear elevational view of the container;

FIG. 4 is a side elevational view of the container;

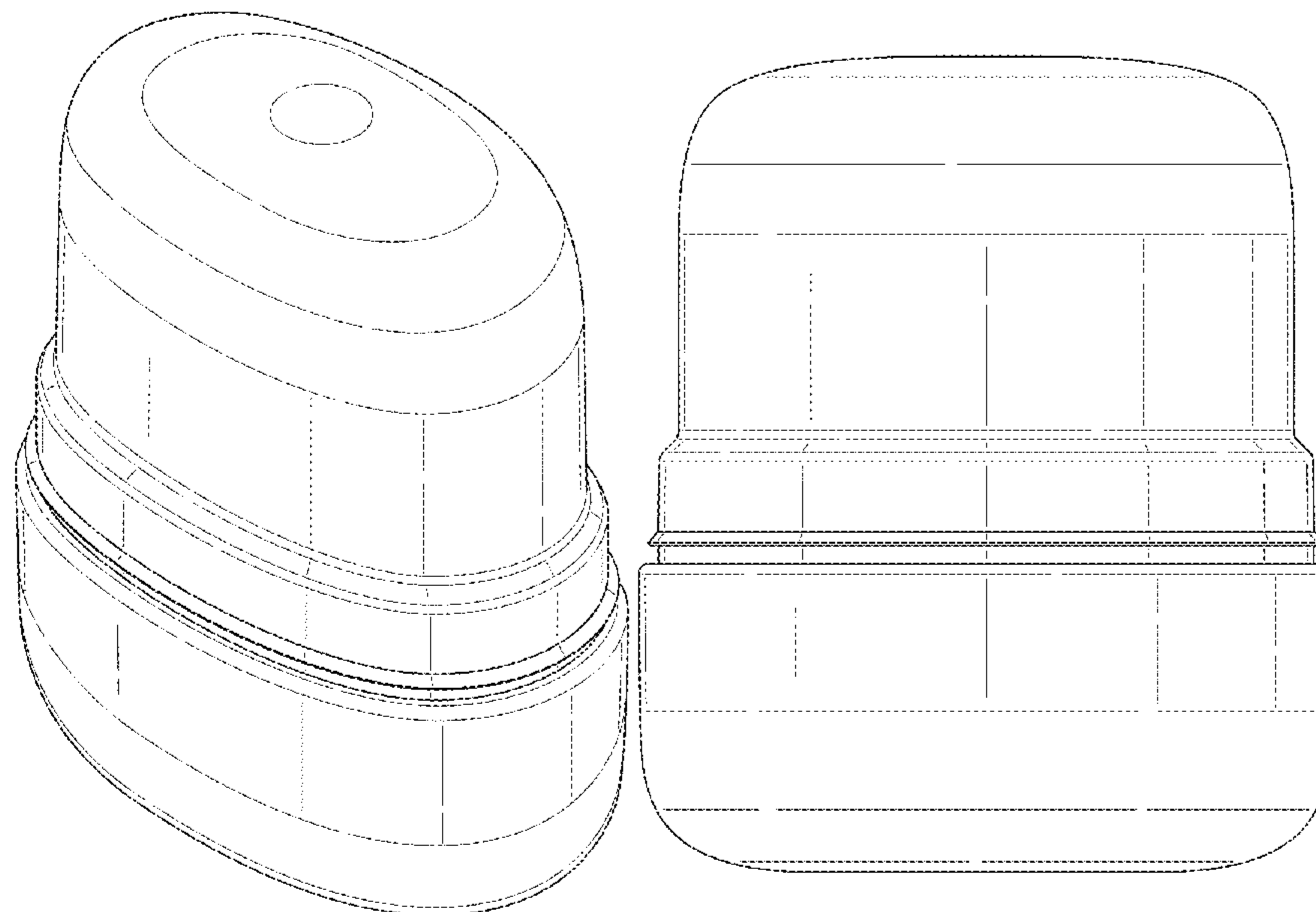
FIG. 5 is an elevational view of another side of the container;

FIG. 6 is a top plan view of the container; and,

FIG. 7 is a bottom plan view of the container.

The broken lines showing the bottom of the container are included to show features that form no part of the claimed design.

**1 Claim, 5 Drawing Sheets**



(56)

**References Cited**

U.S. PATENT DOCUMENTS

D752,442 S *	3/2016	O'Donahue .....	D9/529
D752,987 S *	4/2016	Dyer .....	D9/521
D814,118 S *	3/2018	McIver .....	D28/85
D818,648 S *	5/2018	Cleij .....	D9/504
D830,837 S *	10/2018	Pires .....	D9/521
D839,096 S *	1/2019	Fux .....	D9/521
D839,745 S *	2/2019	Rehman .....	D9/529
D842,111 S *	3/2019	Delia .....	D9/504
D875,533 S *	2/2020	Fazlagic .....	D9/521
D884,284 S *	5/2020	McIver .....	D28/85
D891,927 S *	8/2020	Zhu .....	D9/504
D909,207 S *	2/2021	Blomberg .....	D9/504

\* cited by examiner

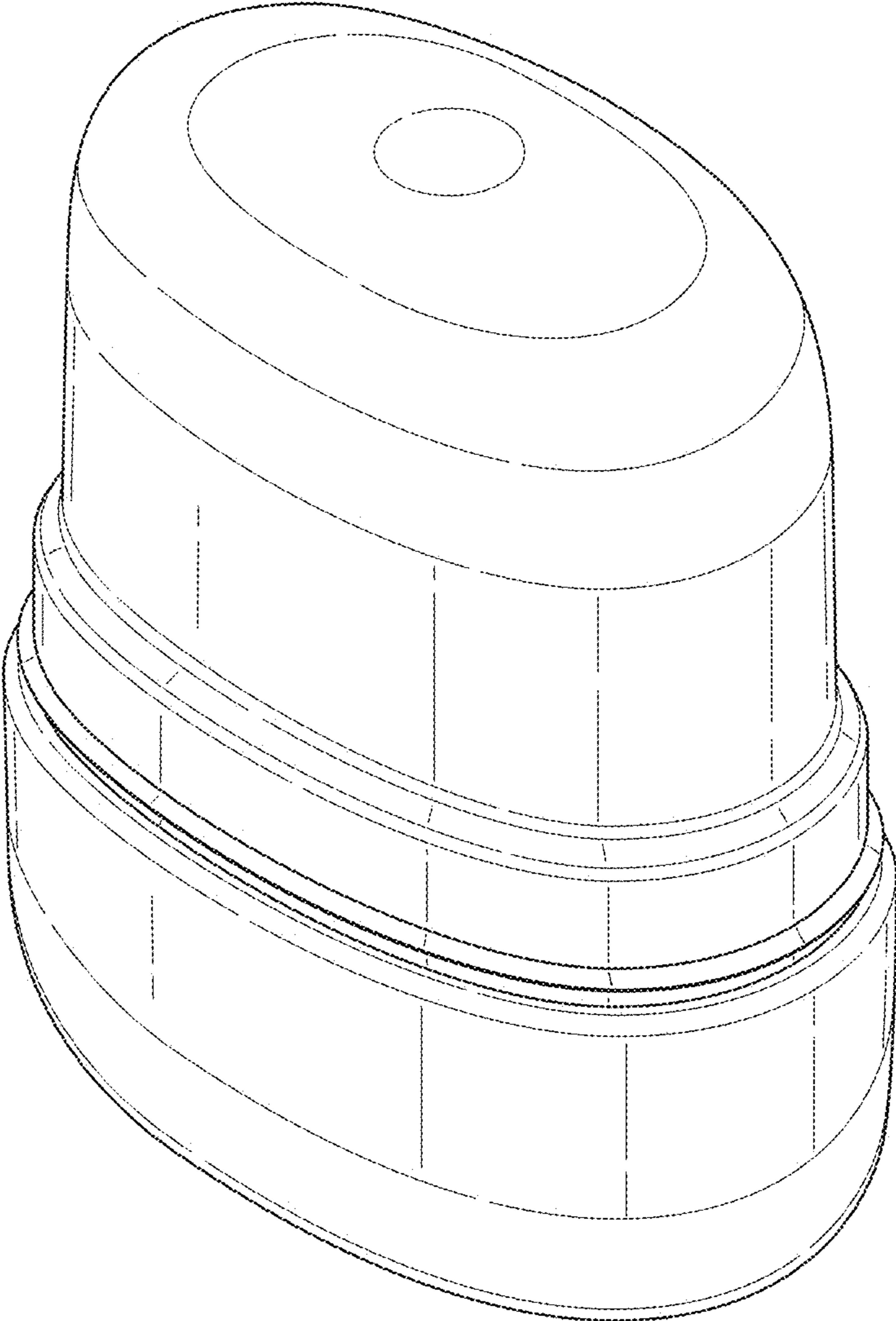


Fig. 1

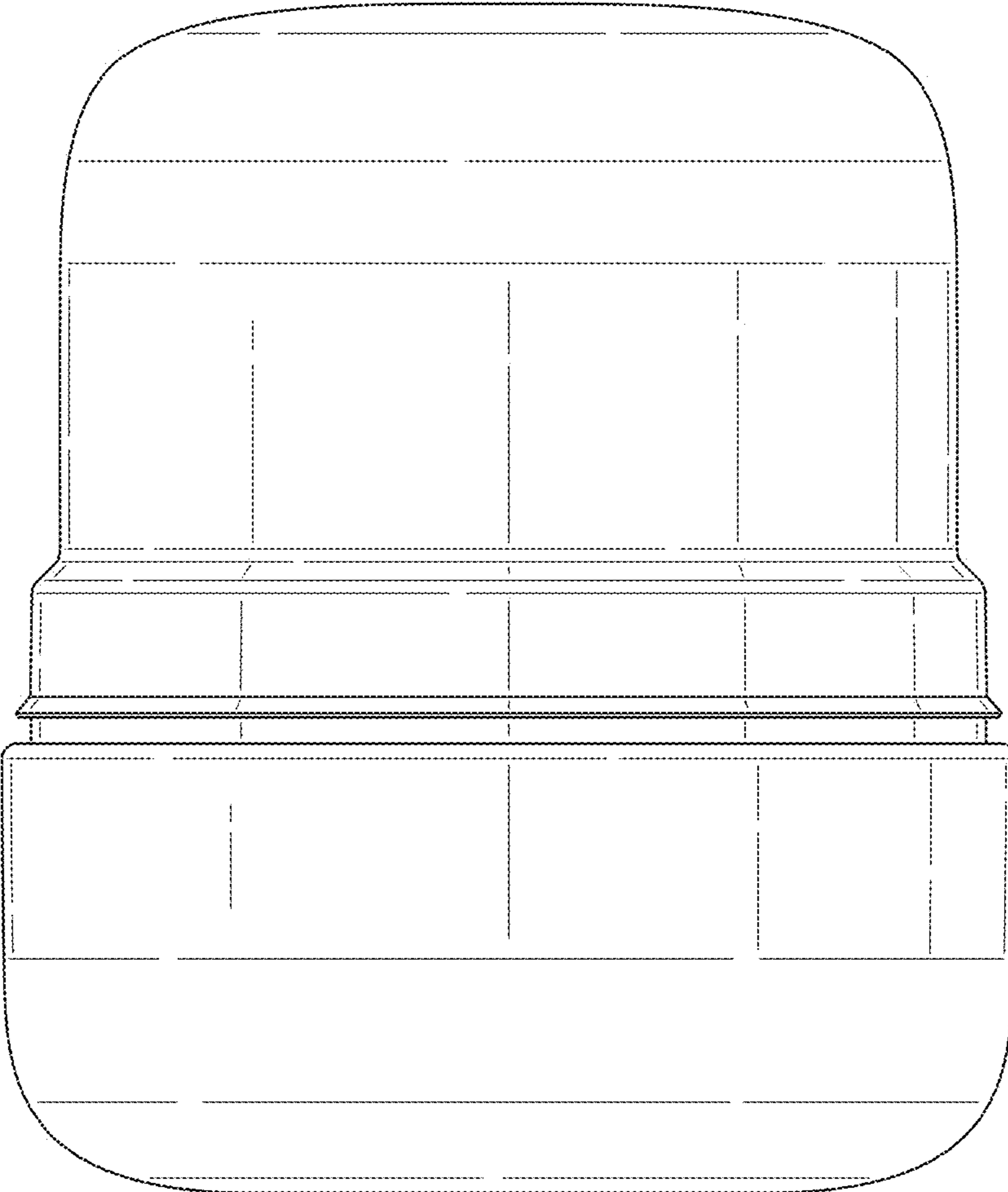


Fig. 2

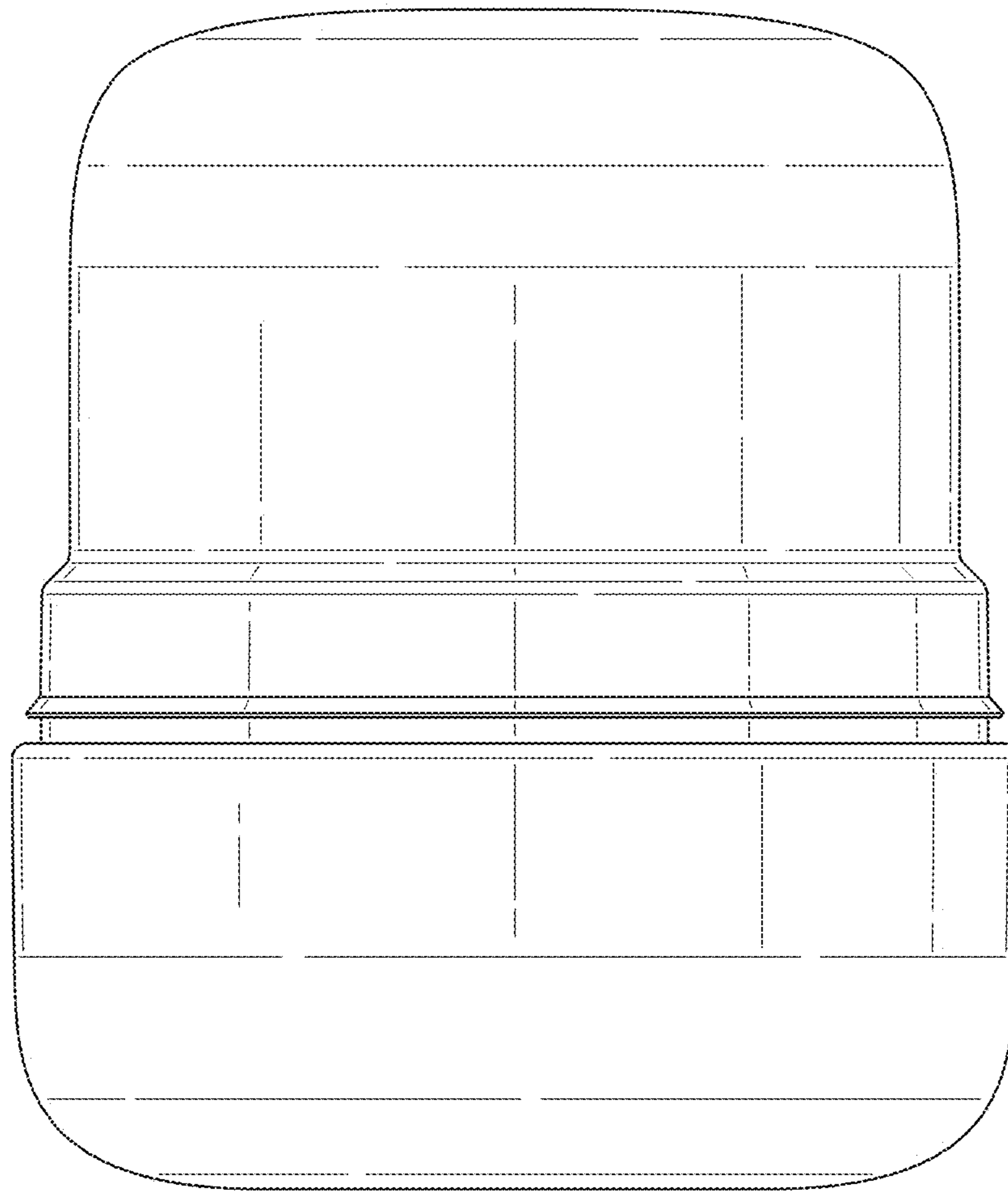


Fig. 3

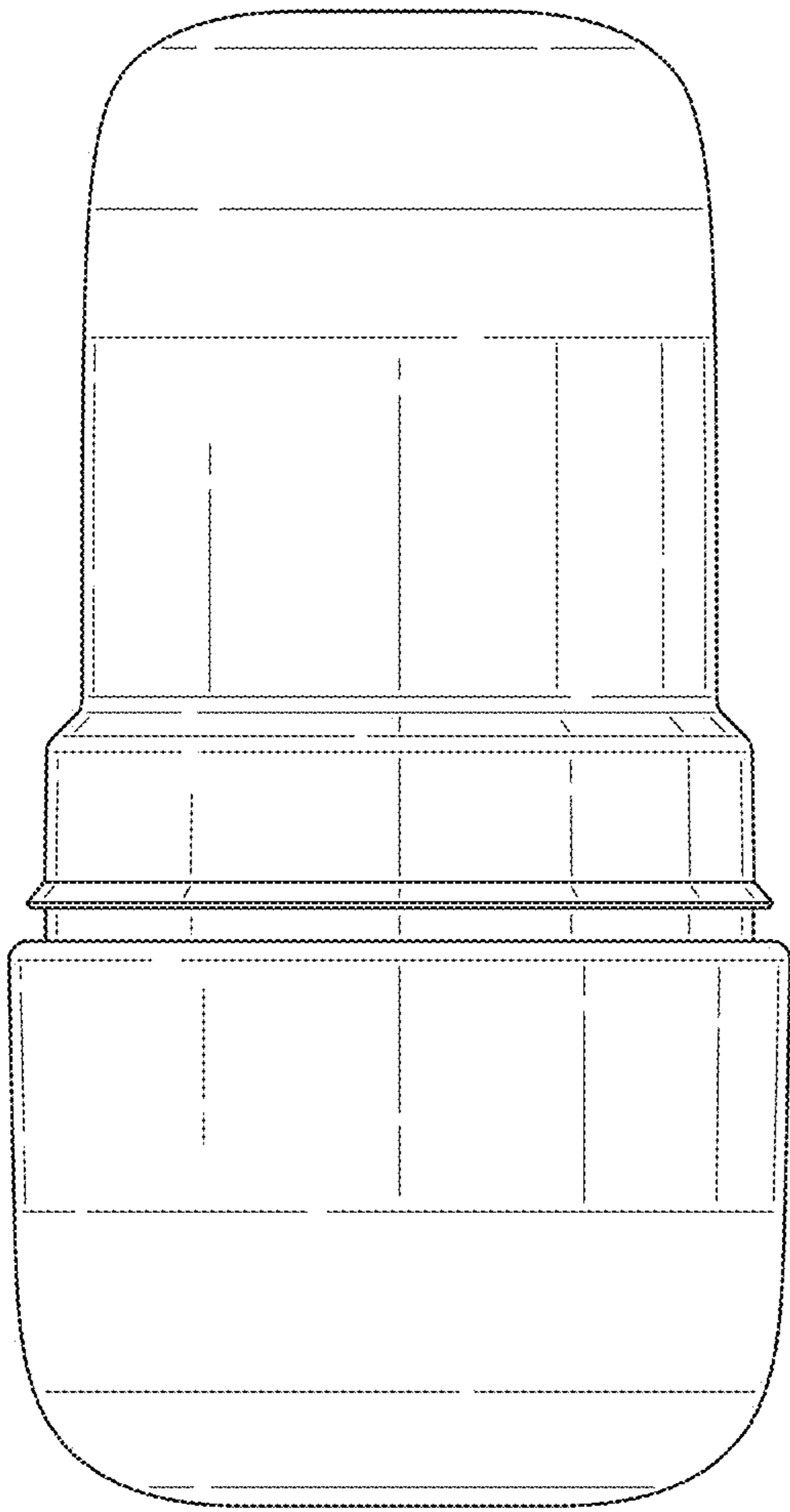


Fig. 4

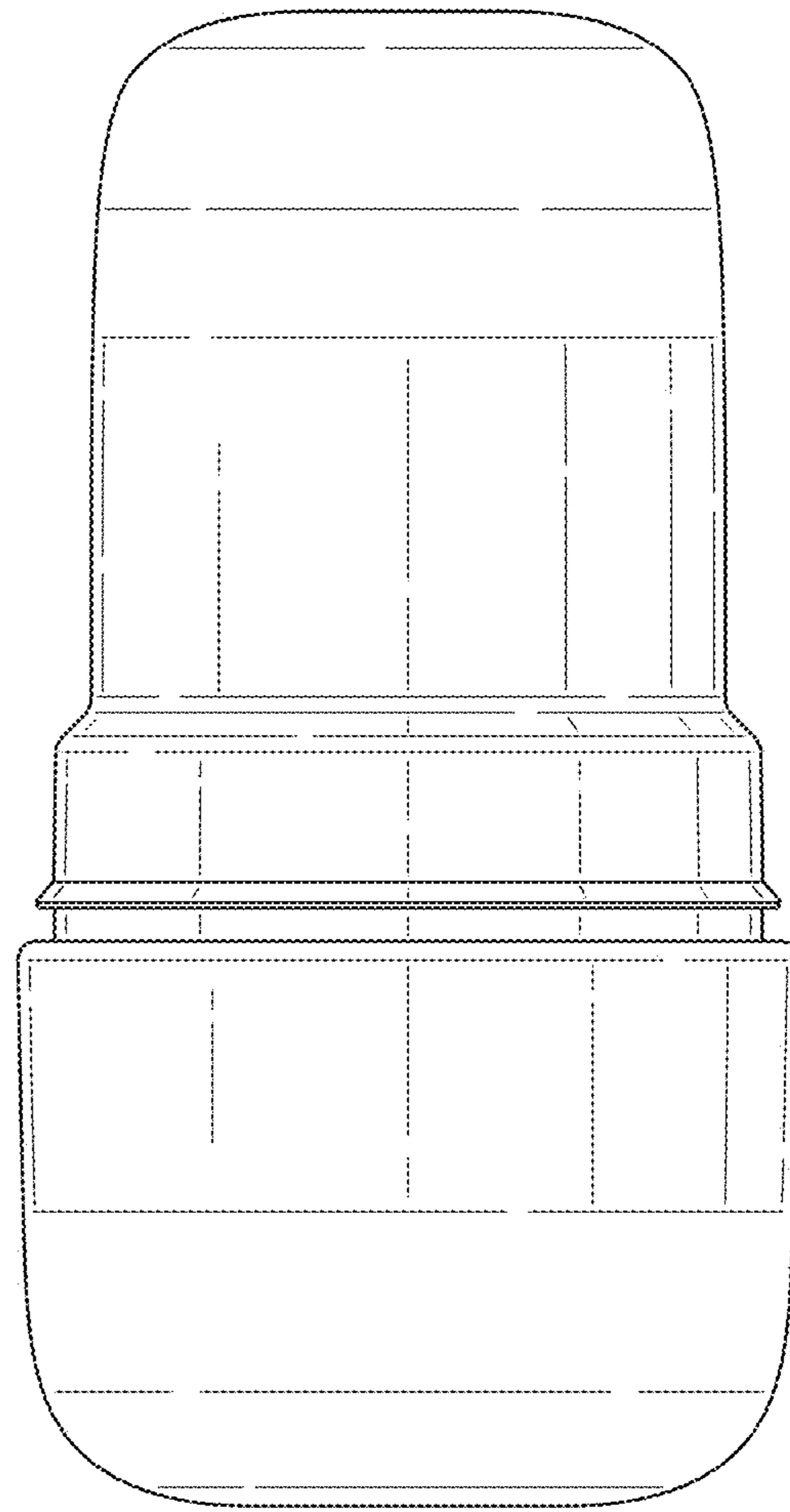


Fig. 5

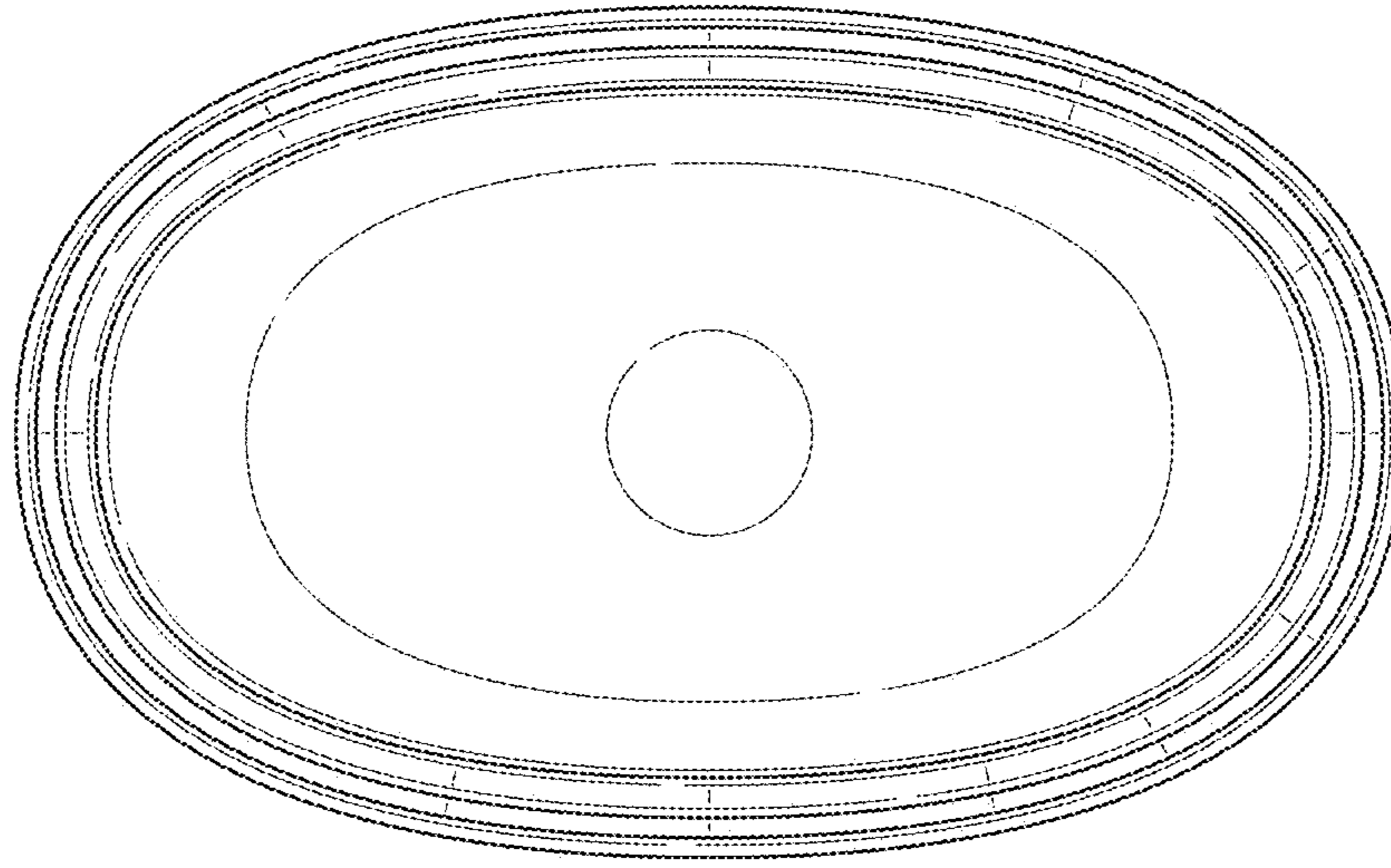


Fig. 6

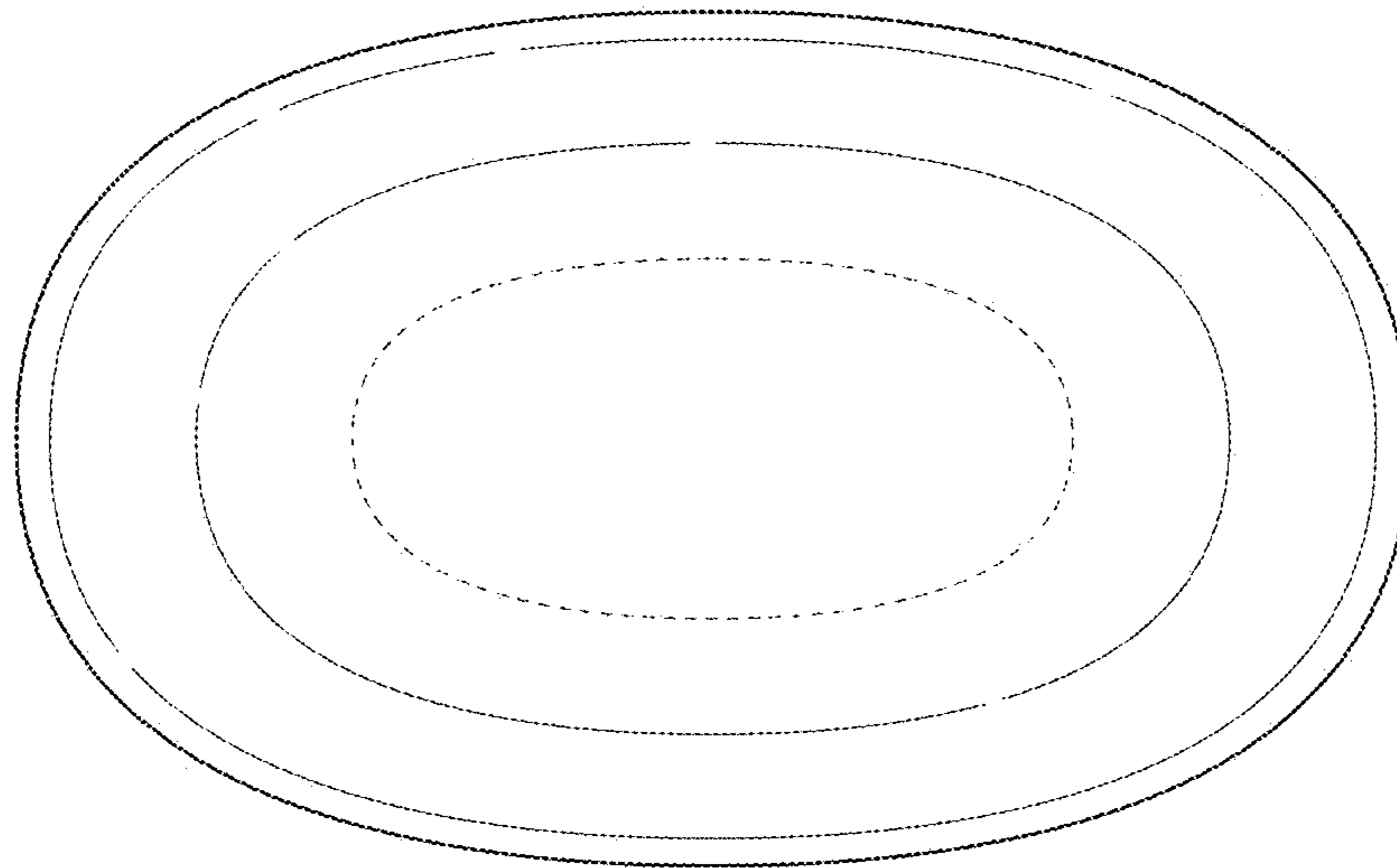


Fig. 7