



US00D929866S

(12) **United States Design Patent** (10) **Patent No.:** **US D929,866 S**
Aktaş (45) **Date of Patent:** **** Sep. 7, 2021**

(54) **BOTTLE**

(71) Applicant: **SEBA KIMYA SANAYI VE
TICARET ANONIM SIRKETI,**
Istanbul (TR)

(72) Inventor: **Burak Aktaş,** Istanbul (TR)

(**) Term: **15 Years**

(21) Appl. No.: **29/745,299**

(22) Filed: **Aug. 5, 2020**

(51) **LOC (13) Cl.** **09-01**

(52) **U.S. Cl.**
USPC **D9/543; D9/563**

(58) **Field of Classification Search**
USPC D9/434, 516, 523, 528, 530, 543, 563,
D9/571, 575, 685, 715, 719
CPC B65D 1/00; B65D 1/02; B65D 1/0223;
B65D 23/00; B65D 23/10; B65D 23/102;
B65D 23/104; B65D 23/106; B65D
2501/00; B65D 2501/0009; B65D
2501/0081

See application file for complete search history.

(56) **References Cited**

U.S. PATENT DOCUMENTS

D265,887 S * 8/1982 Weckman D9/523
D403,588 S * 1/1999 Jungmann D9/523

D406,052 S * 2/1999 Dumont D9/685
D486,397 S * 2/2004 Crawford D9/523
D556,045 S * 11/2007 Kamath D9/543
D663,627 S * 7/2012 Castillo Higareda D9/543
D674,285 S * 1/2013 Thijssen D9/543
D674,286 S * 1/2013 Thijssen D9/543
D896,086 S * 9/2020 Stephens D9/523

* cited by examiner

Primary Examiner — Dana Meyrow

(57) **CLAIM**

The ornamental design for a bottle, as shown and described.

DESCRIPTION

FIG. 1 is a perspective view of a bottle showing my new design.

FIG. 2 is a front view thereof;

FIG. 3 is a rear view thereof;

FIG. 4 is a right side view thereof;

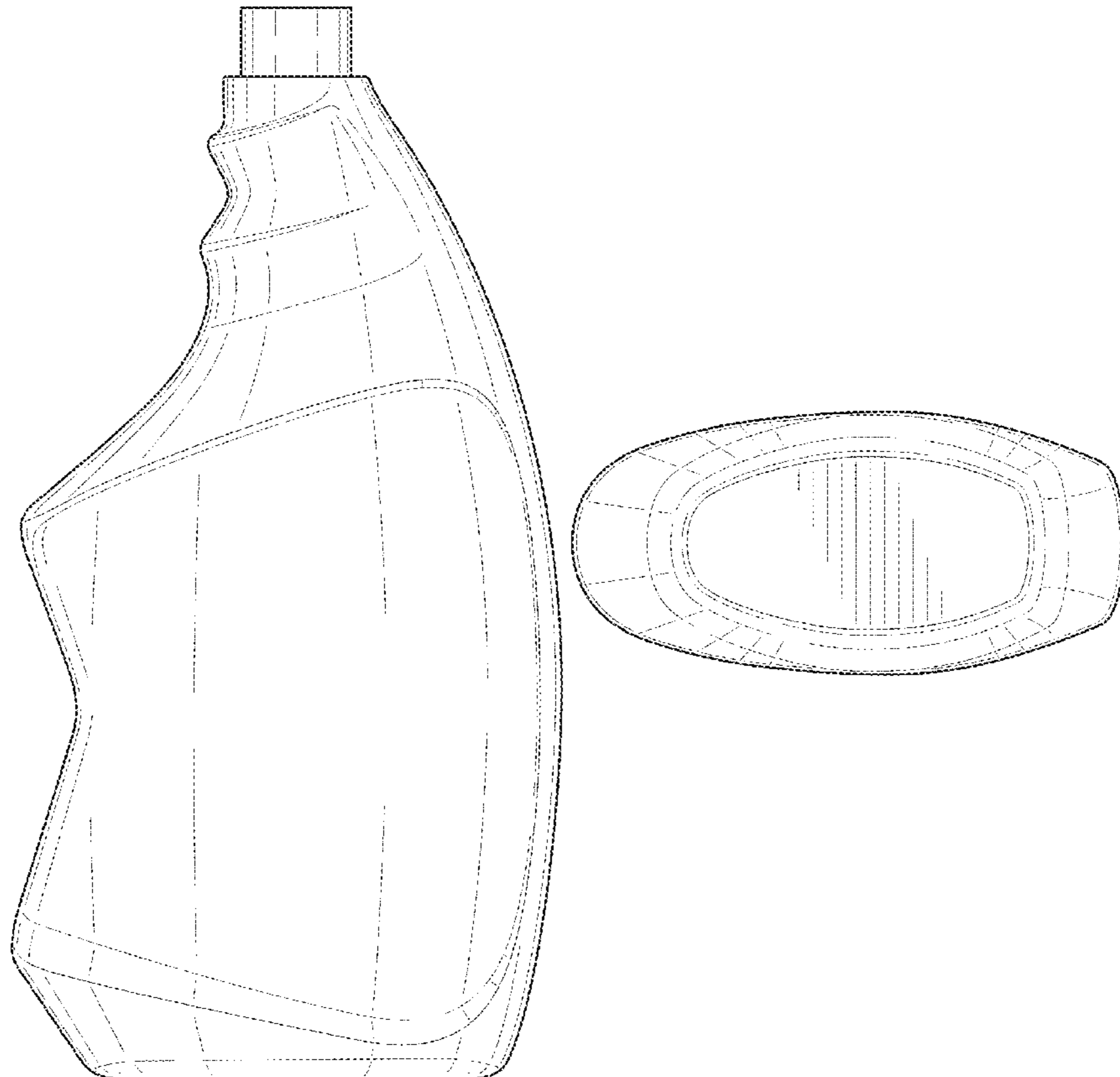
FIG. 5 is a left side view thereof;

FIG. 6 is a top view thereof; and,

FIG. 7 is a bottom view thereof.

The interior surface of the bottle, which is shown in broken lines in FIGS. 1 and 6, forms no part of the claimed design.

1 Claim, 3 Drawing Sheets



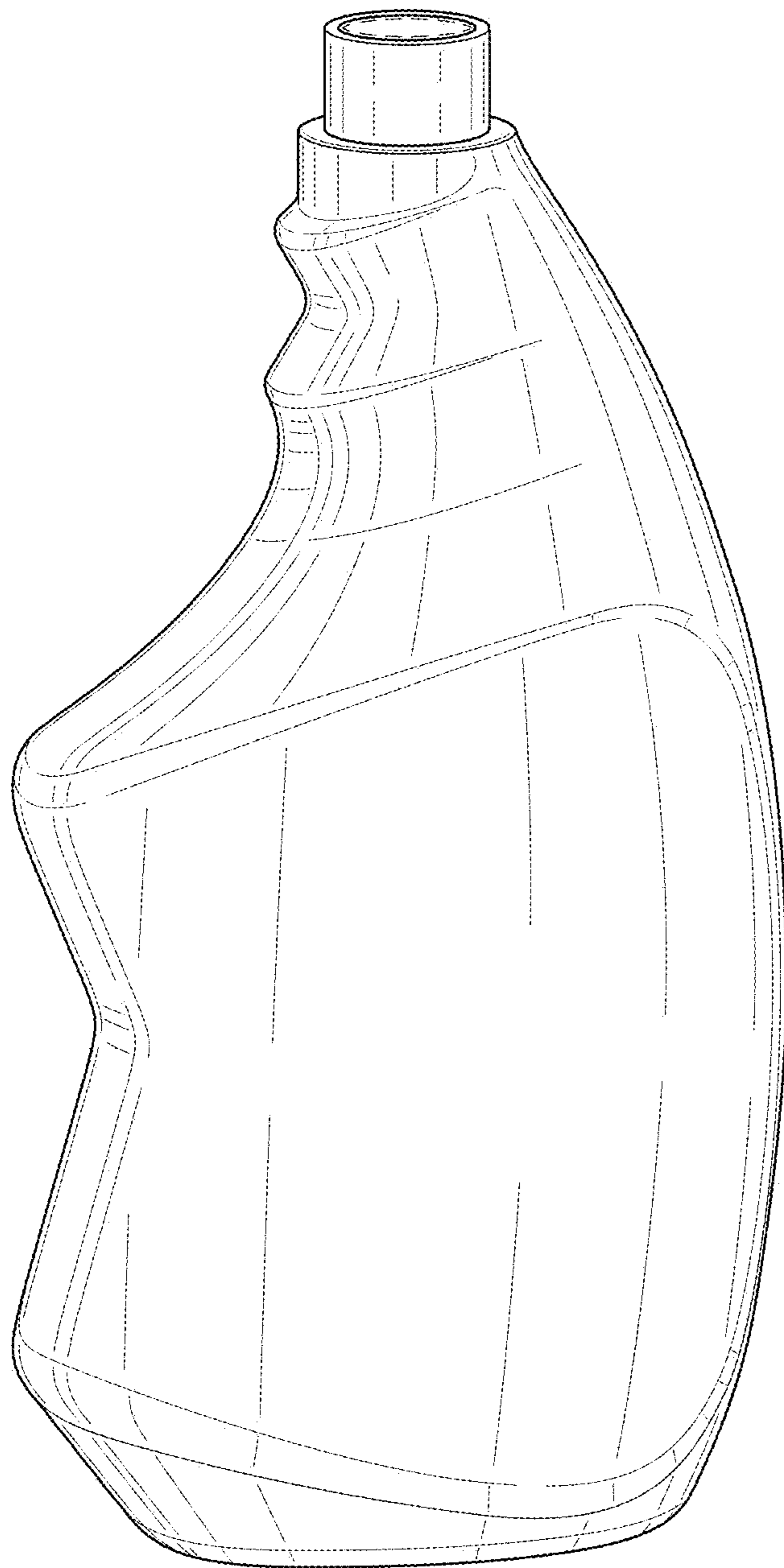


FIG. 1

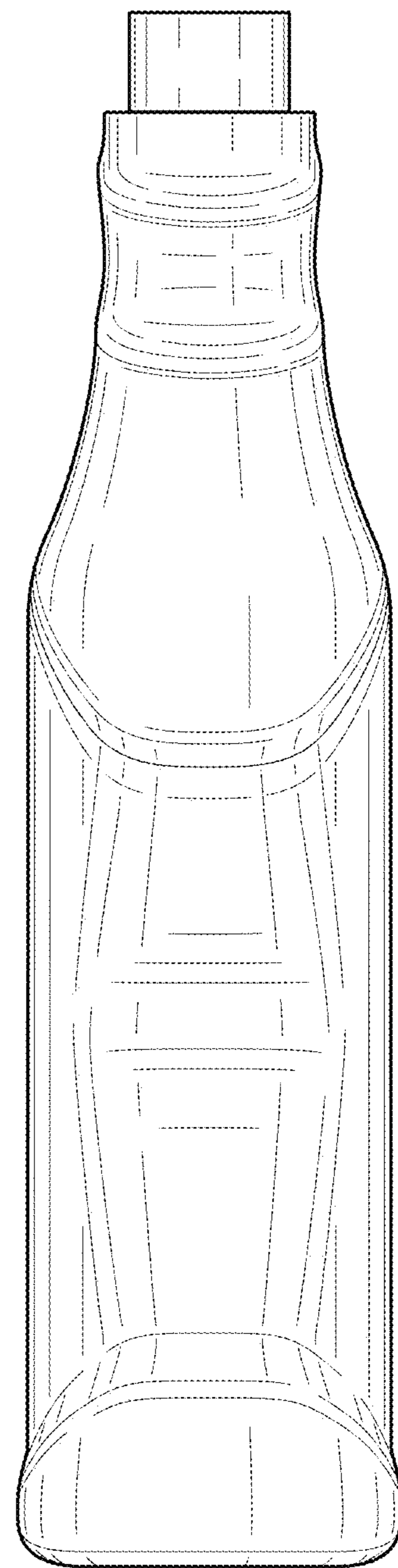


FIG. 2

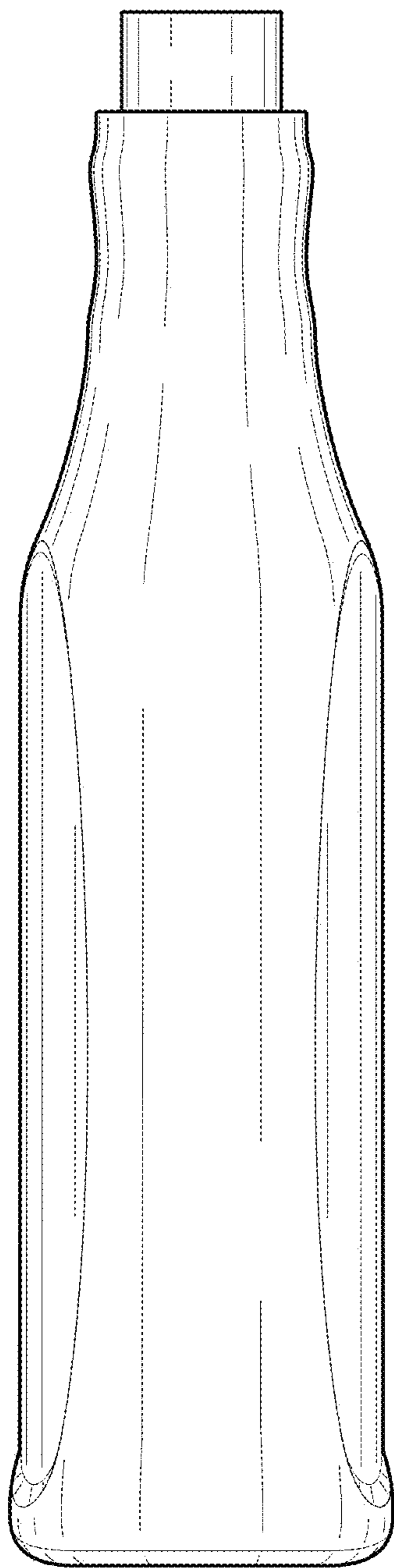


FIG. 3

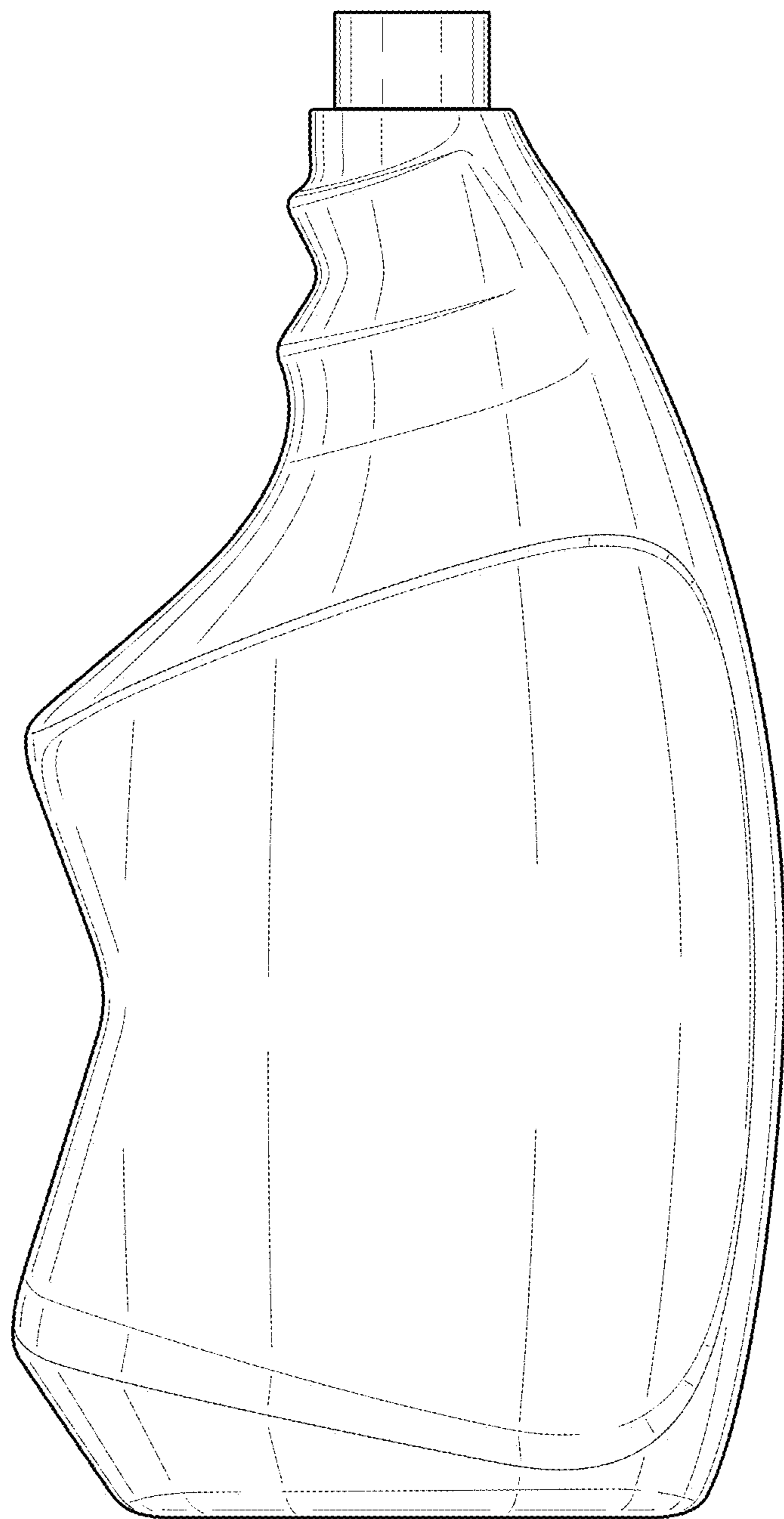


FIG. 4

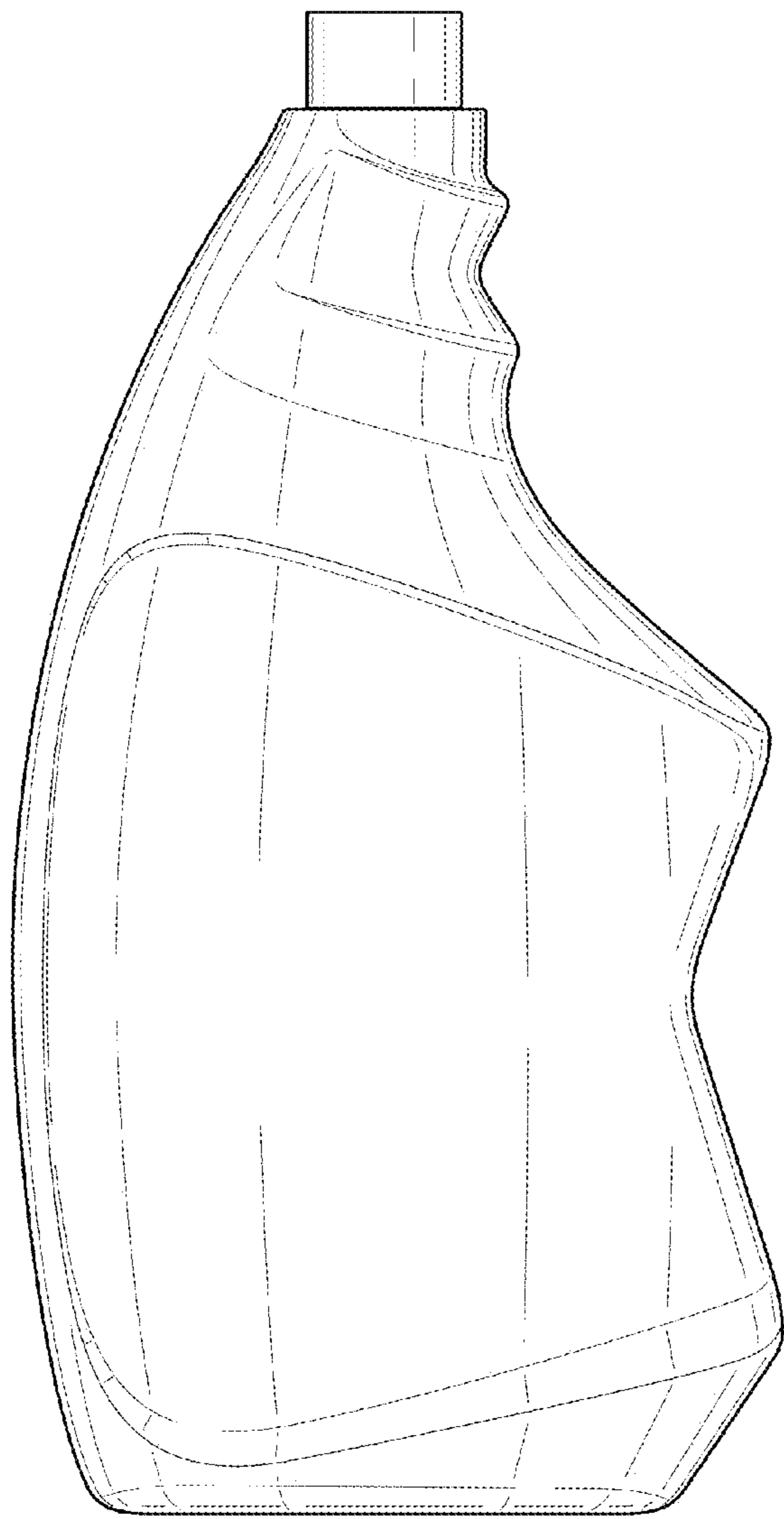


FIG. 5

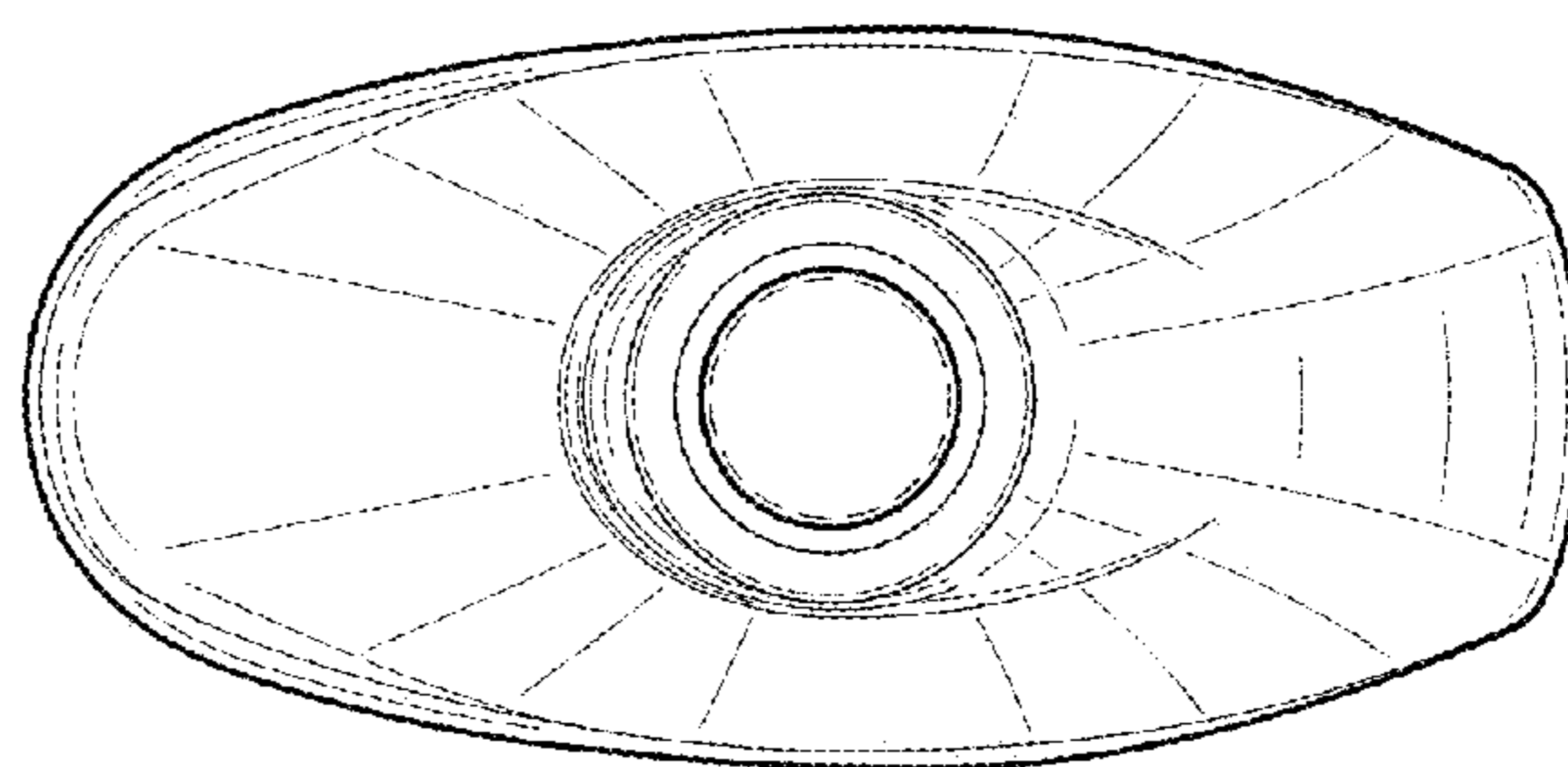


FIG. 6

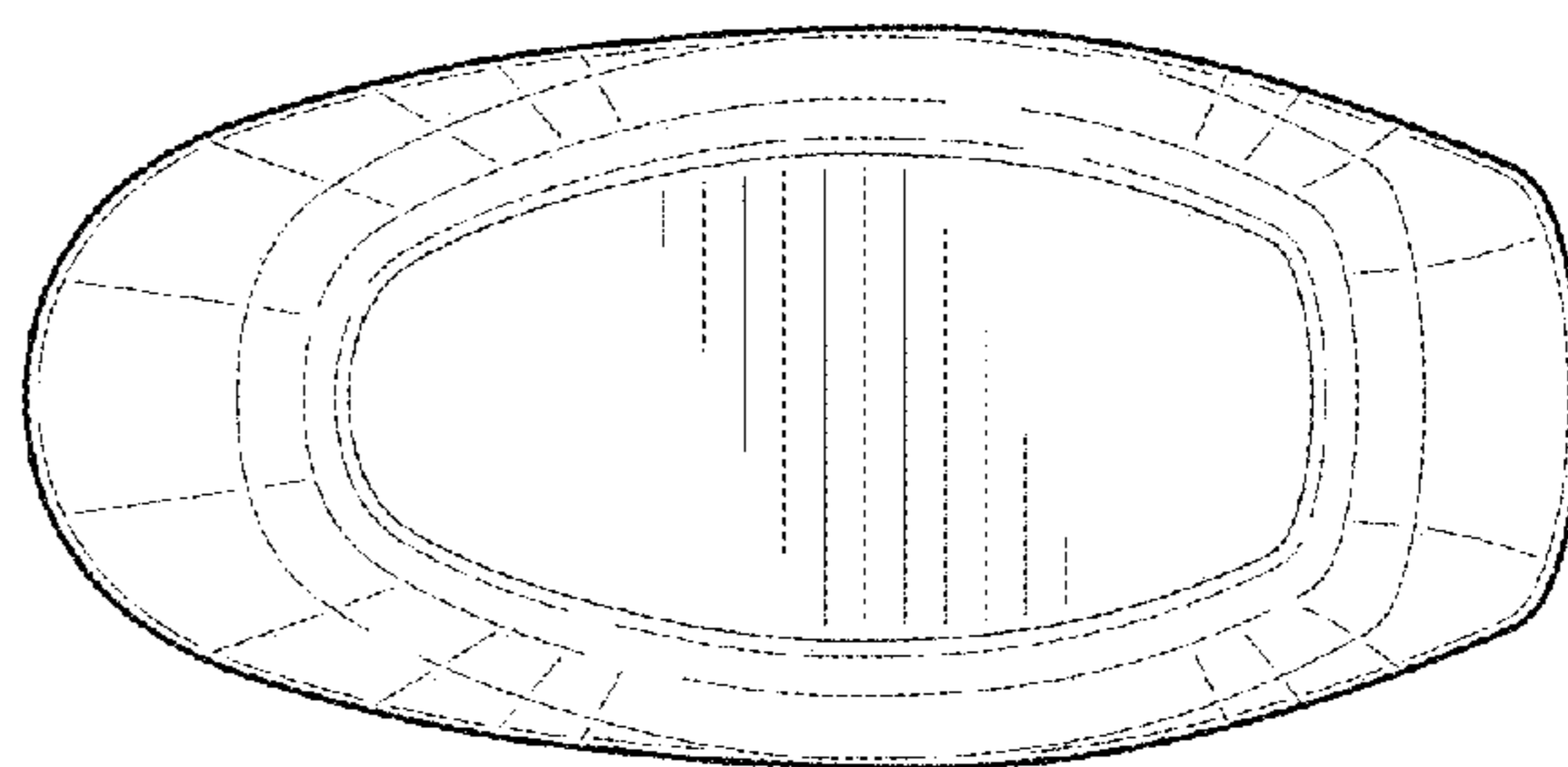


FIG. 7