



US00D929865S

(12) **United States Design Patent** (10) **Patent No.:** **US D929,865 S**
Walden et al. (45) **Date of Patent:** **** Sep. 7, 2021**

(54) **BOTTLE**

(71) Applicant: **THE CLOROX COMPANY**, Oakland, CA (US)

(72) Inventors: **Melissa Walden**, San Francisco, CA (US); **James A. Shoemaker**, Pleasanton, CA (US); **Scot Herbst**, Santa Cruz, CA (US); **William W. Hunter**, Santa Cruz, CA (US)

(73) Assignee: **The Clorox Company**, Oakland, CA (US)

(**) Term: **15 Years**

(21) Appl. No.: **29/705,883**

(22) Filed: **Sep. 16, 2019**

(51) **LOC (13) Cl.** **09-01**

(52) **U.S. Cl.**

USPC **D9/531; D9/575**

(58) **Field of Classification Search**

USPC D9/440, 443, 447, 516, 520, 523–528, D9/530–543, 550, 551, 552, 554, 556, D9/558, 563, 428, 573–575, 564; D7/396.2, 507, 509, 510, 511, 532, 533, D7/608, 631–634; D3/202; D6/518, 523, D6/734

CPC B65D 1/0223; B65D 2543/00296; B65D 2543/00092; B65D 2543/00537; B65D 2501/0081; B65D 23/10; B65D 23/102; A47J 43/27

See application file for complete search history.

(56) **References Cited**

U.S. PATENT DOCUMENTS

D692,307 S * 10/2013 Scott D9/542
D704,067 S * 5/2014 Scott D9/542
D793,238 S * 8/2017 Yen D9/527

D794,462 S * 8/2017 Gerhards D9/528
D799,324 S * 10/2017 Meier D9/523
D799,326 S * 10/2017 Meier D9/528
D799,327 S * 10/2017 Meier D9/528
D810,576 S * 2/2018 Hawry D9/542
D818,366 S * 5/2018 Gerhards D9/528
D833,884 S * 11/2018 Rhodes D9/531
D867,146 S * 11/2019 Gerhards D9/528
D883,791 S * 5/2020 Sterling D9/528
D883,792 S * 5/2020 Sterling D9/528
D884,479 S * 5/2020 Hall D9/528
D891,256 S * 7/2020 Gerhards D9/528
2017/0320631 A1 11/2017 Sprick et al.

FOREIGN PATENT DOCUMENTS

CN 304841842 * 10/2018

* cited by examiner

Primary Examiner — Brett Miller

Assistant Examiner — Rani J Abdallah

(74) *Attorney, Agent, or Firm* — Thomas W. Lynch

(57) **CLAIM**

The ornamental design for a bottle, as shown and described.

DESCRIPTION

FIG. 1 is a top perspective view of a bottle according to the invention, also showing a cap exploded therefrom;

FIG. 2 is a bottom perspective view of the bottle and cap of FIG. 1;

FIG. 3 is a front view of the bottle of FIG. 1;

FIG. 4 is a rear view thereof;

FIG. 5 is a first side view thereof;

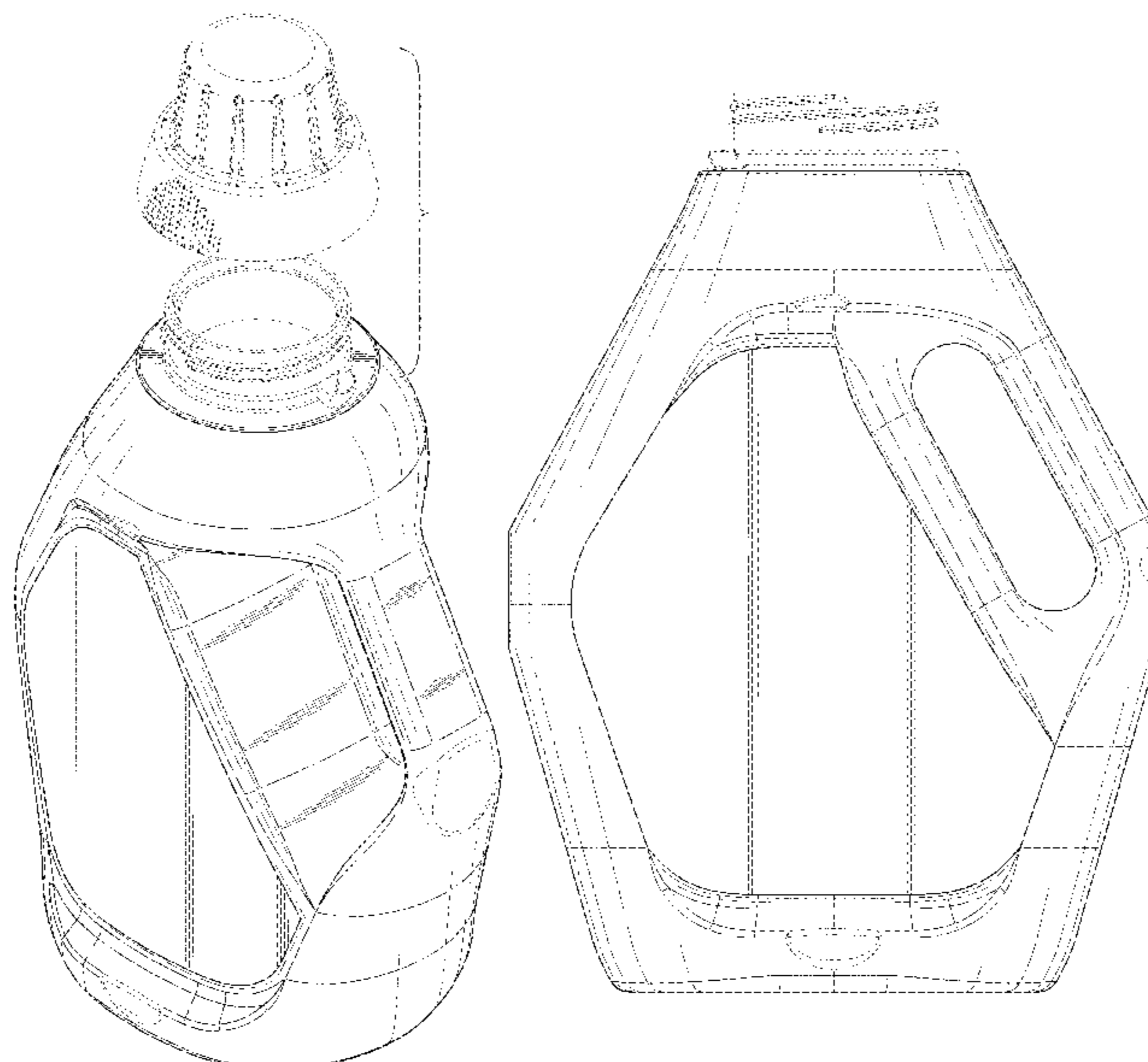
FIG. 6 is an opposite, second side view thereof;

FIG. 7 is a top view thereof; and,

FIG. 8 is a bottom view thereof.

The broken lines in the figures are for the purpose of illustrating environmental structure and form no part of the claimed design.

1 Claim, 7 Drawing Sheets



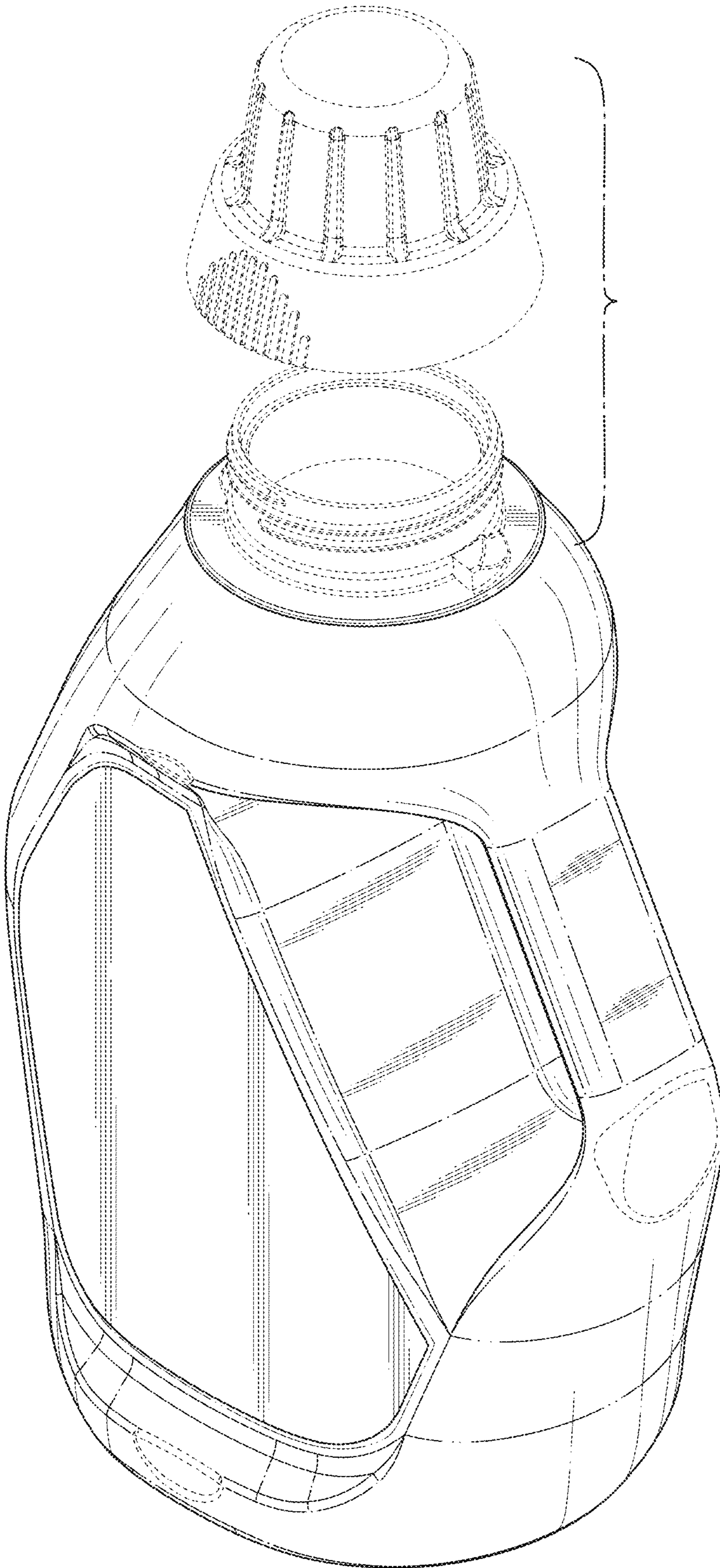


FIG. 1

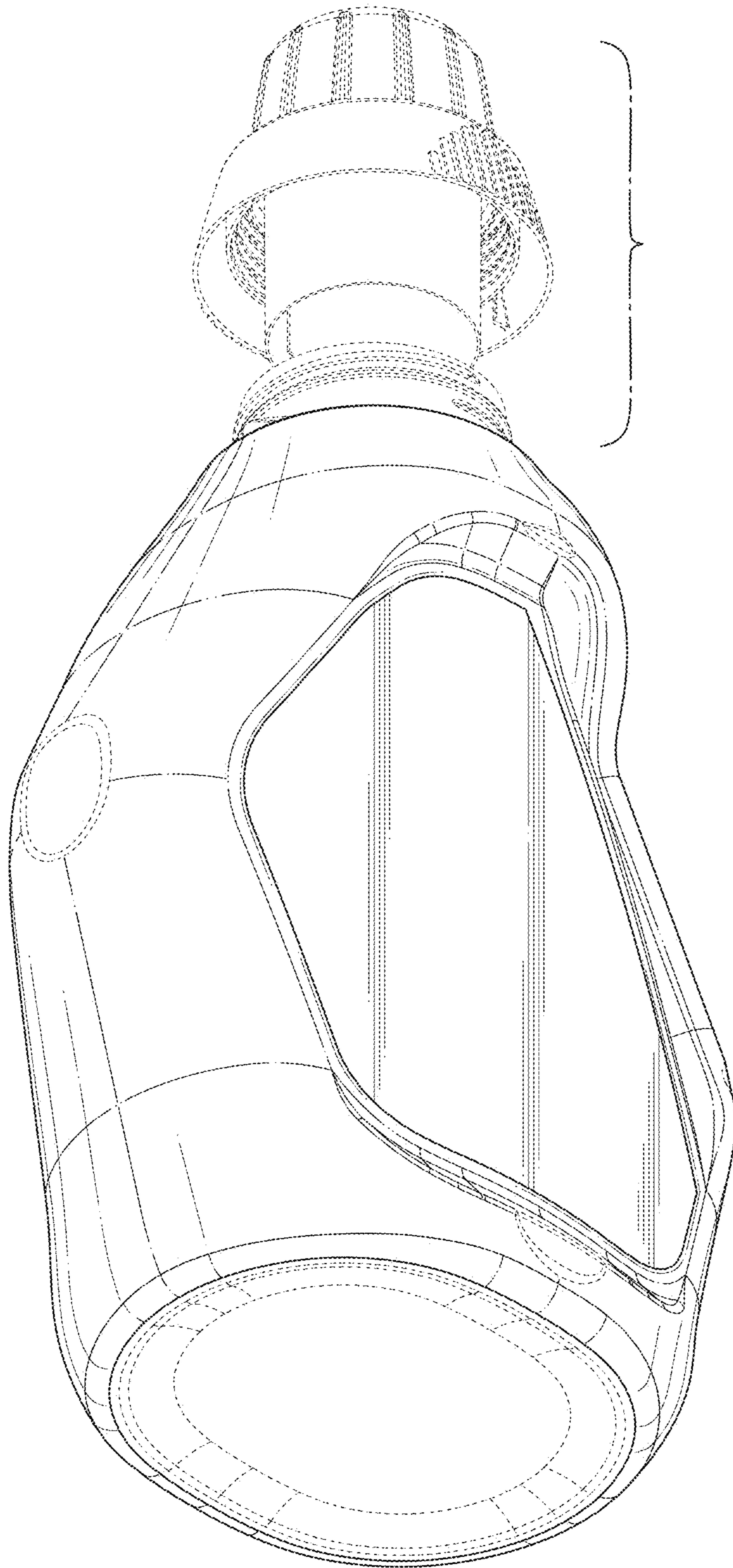


FIG. 2

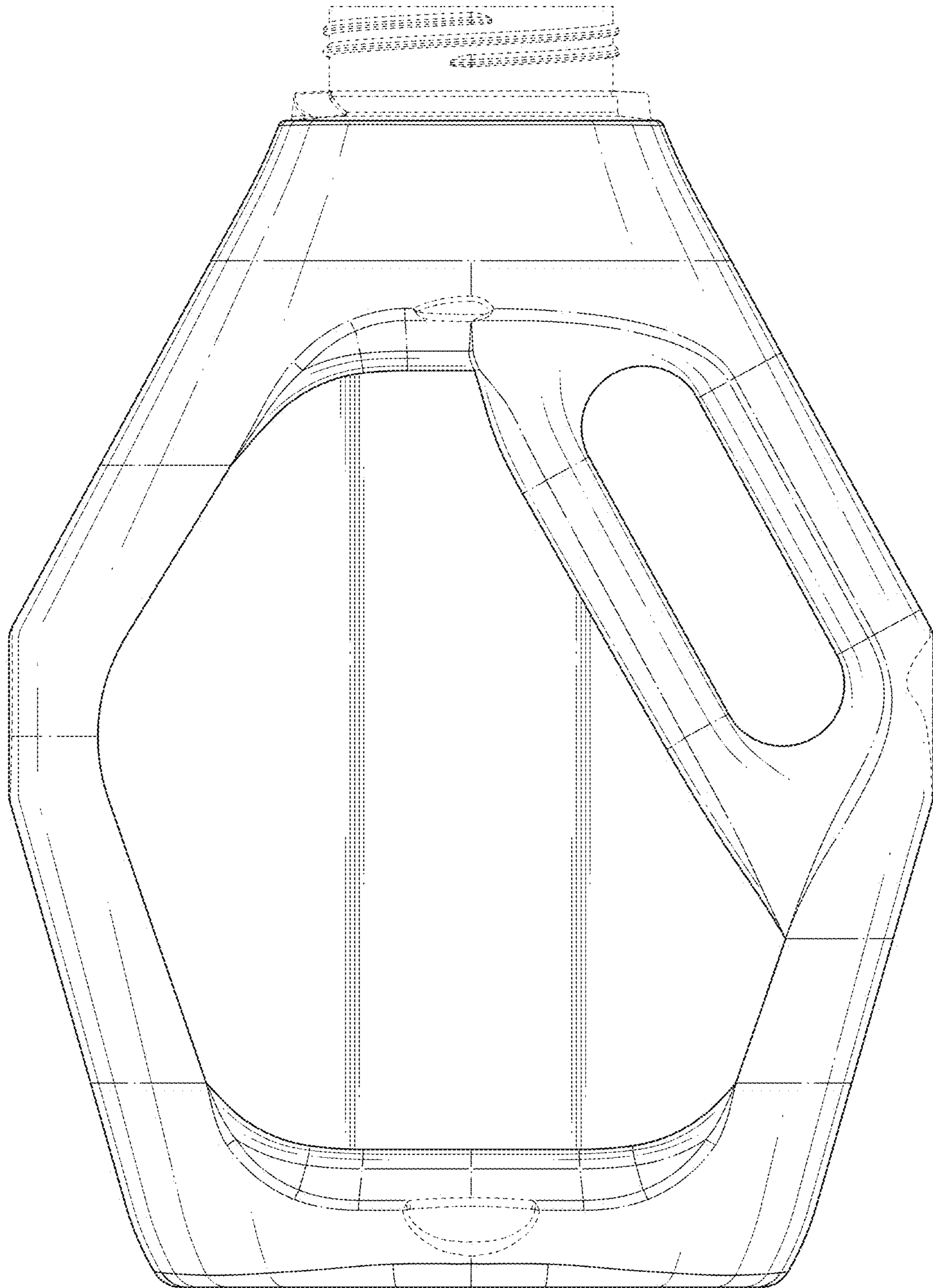


FIG. 3

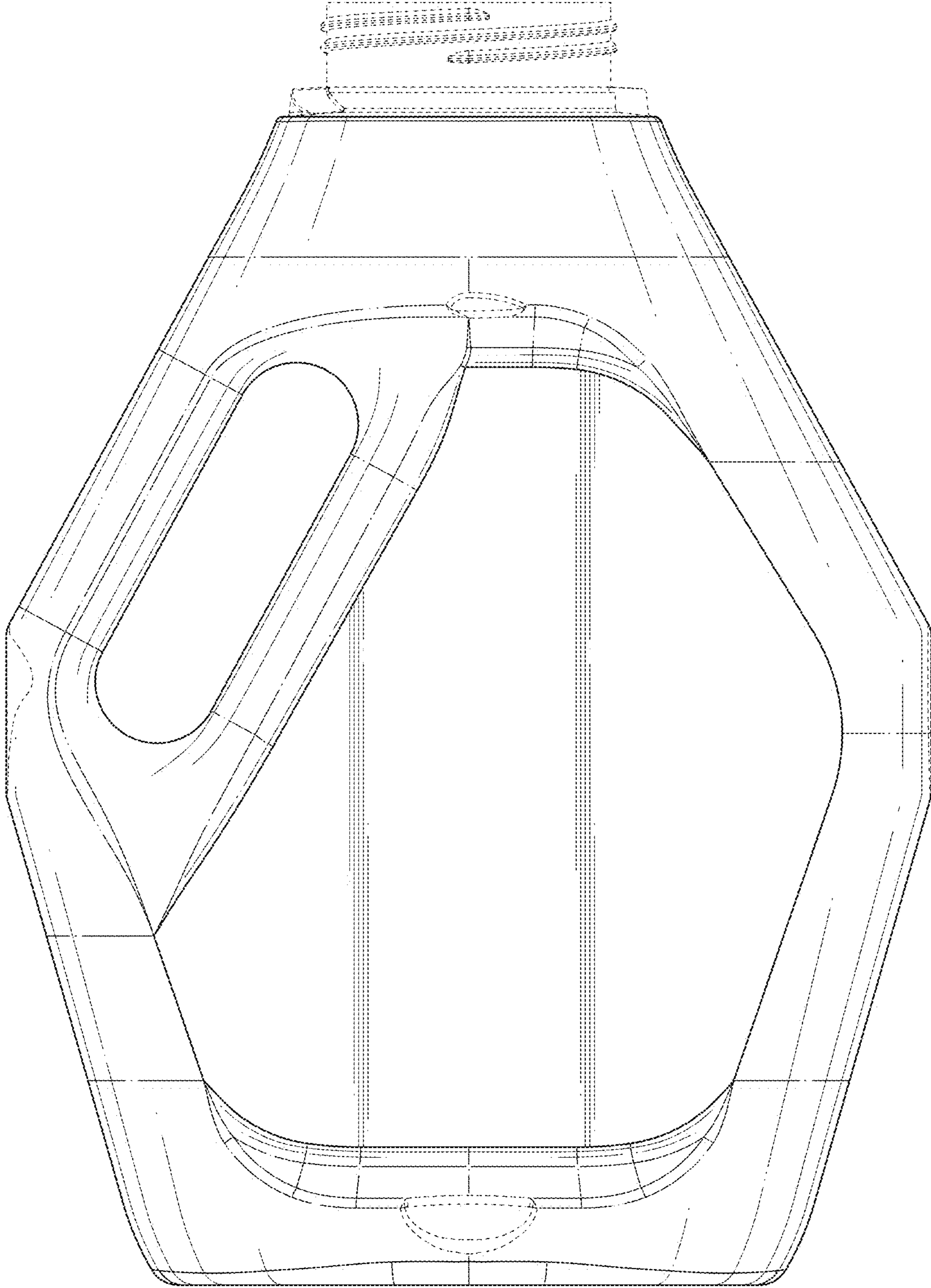


FIG. 4

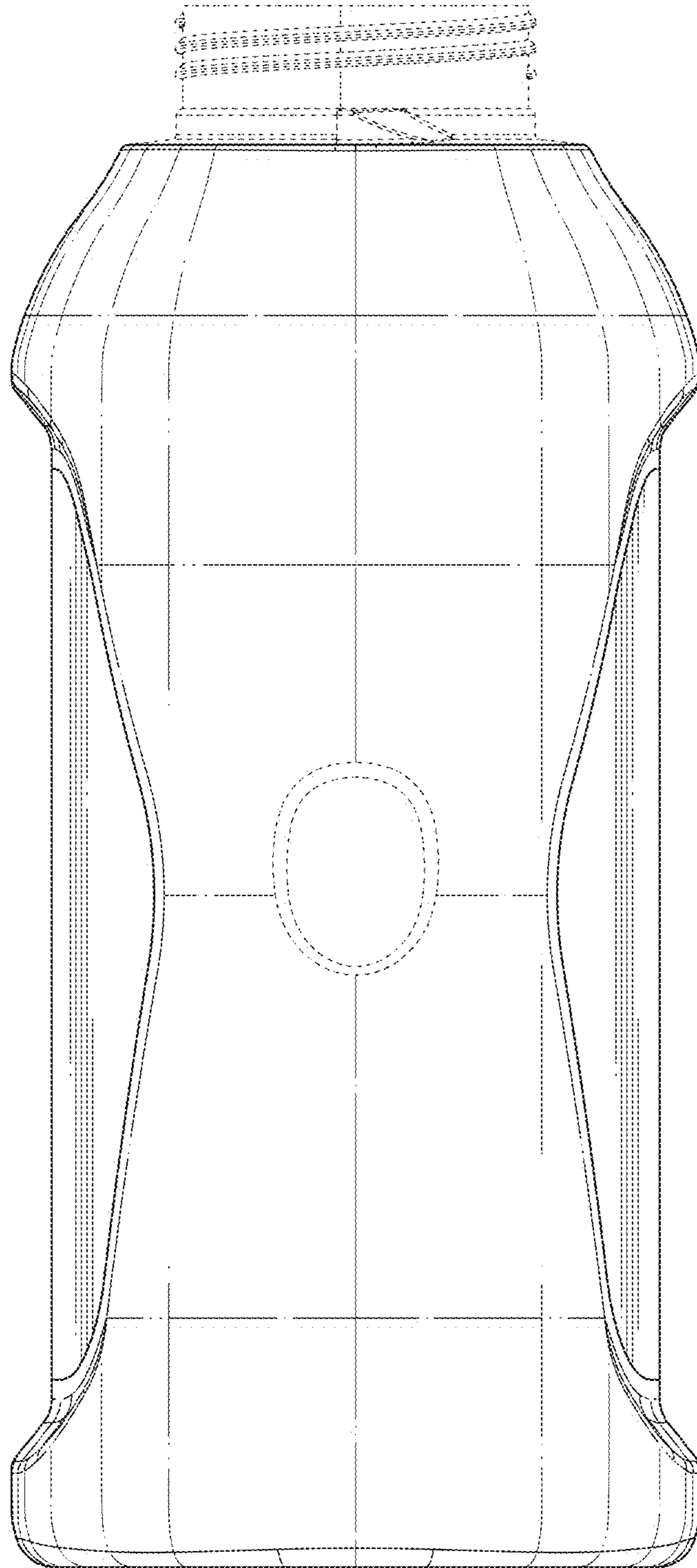


FIG. 5

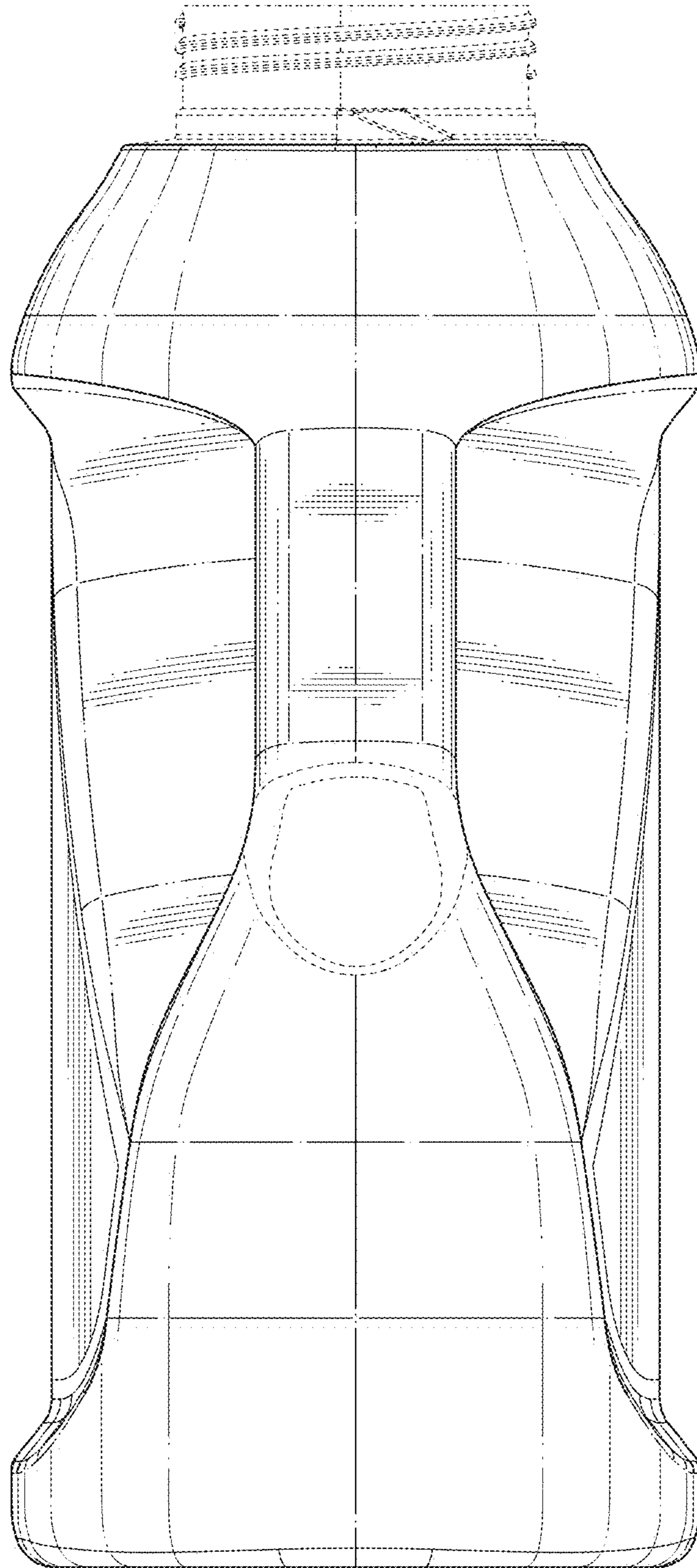


FIG. 6

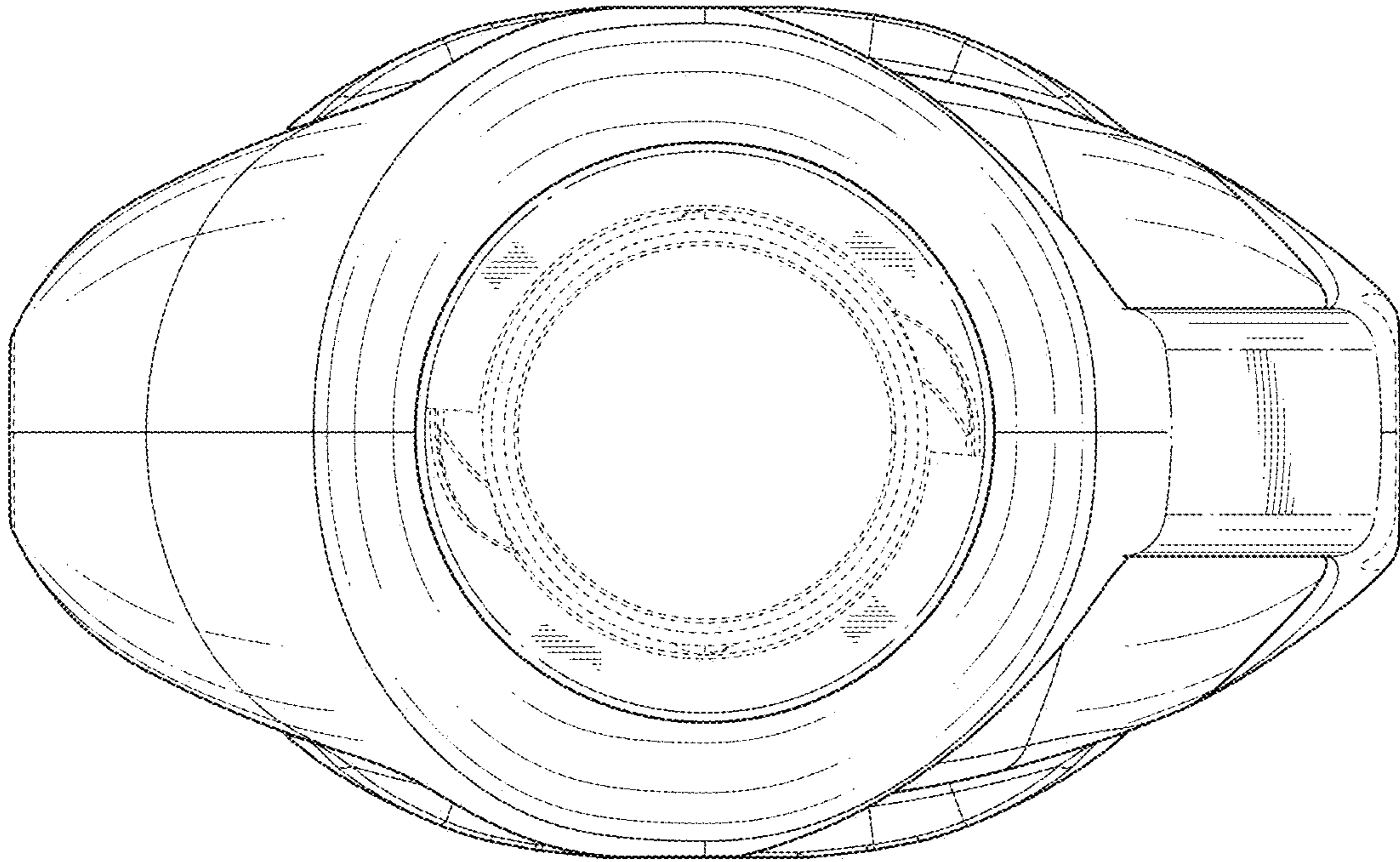


FIG. 7

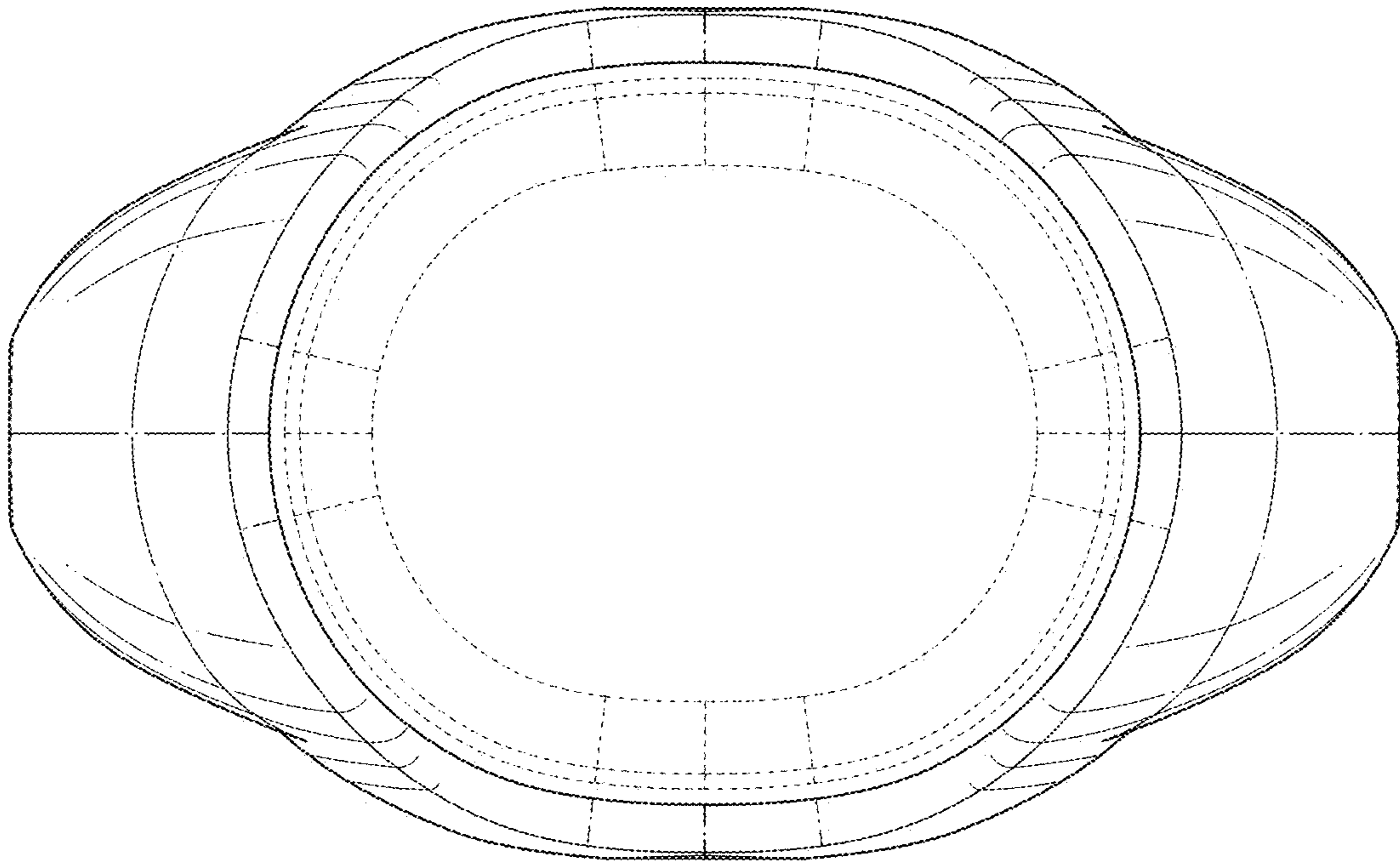


FIG. 8