



US00D929863S

(12) **United States Design Patent** (10) **Patent No.:** **US D929,863 S**
Demers et al. (45) **Date of Patent:** **** Sep. 7, 2021**

(54) **STORAGE CONTAINER**

FOREIGN PATENT DOCUMENTS

(71) Applicant: **ANCHOR HOCKING, LLC**,
Columbus, OH (US)

KR 300786519.0000 * 3/2015

(72) Inventors: **Brian Joseph Demers**, Charlotte, NC
(US); **Dennis C. Majzlik**, Columbus,
OH (US); **Garet Riley Miller**,
Columbus, OH (US)

OTHER PUBLICATIONS

Outdoorsy Boys Mom, Jun. 21, 2016, Amazon.com product review
Post; Kleen Kanteen, URL: https://www.amazon.com/Klean-Kanteen-Canister-Stainless-16-Ounce/dp/B00BFZH43K/ref=sr_1_7?dchild=1&keywords=insulated%2Bfood%2Bcanister&qid=1609273530&sr=8-7&th=1#customerReviews (Year: 2016).*

(73) Assignee: **Anchor Hocking, LLC**, Columbus, OH
(US)

(Continued)

(**) Term: **15 Years**

Primary Examiner — Brett Miller

(21) Appl. No.: **29/710,761**

Assistant Examiner — Rani J Abdallah

(22) Filed: **Oct. 25, 2019**

(74) *Attorney, Agent, or Firm* — Tucker Ellis LLP

(51) **LOC (13) Cl.** **09-01**

(52) **U.S. Cl.**
USPC **D9/504; D9/500; D9/575**

(57) **CLAIM**

(58) **Field of Classification Search**
USPC D9/428, 454, 500–505, 516, 529, 537,
D9/545, 549, 551, 573–575, 688, 738,
D9/767, 772; D28/4, 8, 76, 78, 79, 82,
D28/91; D26/6, 22; D7/316, 598, 603,
D7/629, 597, 608

The ornamental design for a storage container, as shown and described.

CPC B65D 7/04; B65D 1/165; B65D 45/24;
B65D 1/0246; B65D 1/0207; Y10S
220/906; B21D 51/2615; A47G 19/2255
See application file for complete search history.

DESCRIPTION

(56) **References Cited**

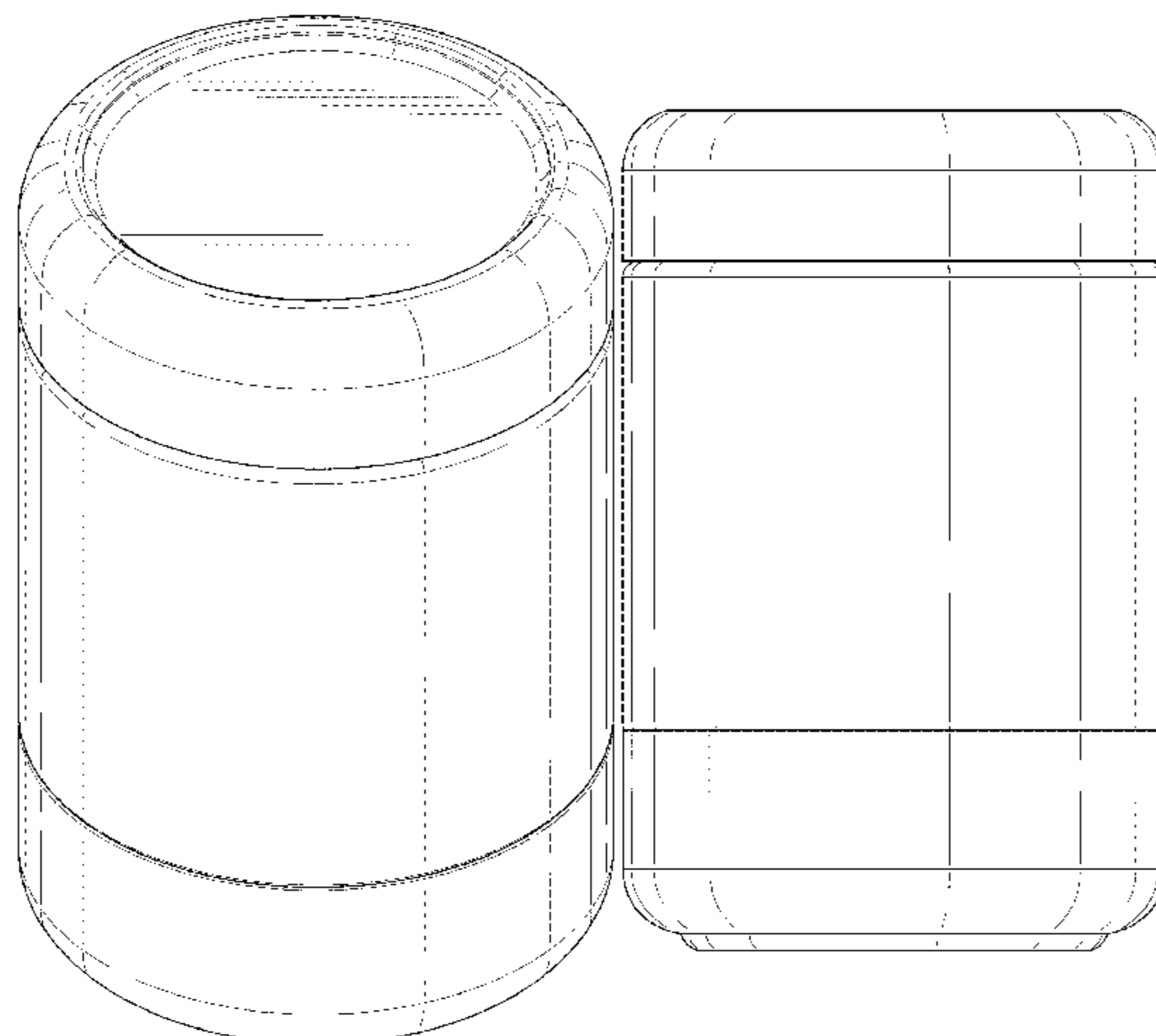
U.S. PATENT DOCUMENTS

2,204,784 A * 6/1940 Abrams B65D 81/32
312/31.2
D256,775 S * 9/1980 Voigt D9/503
D263,581 S * 3/1982 Kaye D13/103
D272,722 S * 2/1984 Haakenson D9/503
D272,804 S * 2/1984 Braun D9/504
D274,848 S * 7/1984 Chevassus D9/504
D280,975 S * 10/1985 Van Dine D9/504
D282,630 S * 2/1986 Braun D9/503
D284,252 S * 6/1986 Lichtenvort D7/597

FIG. 1 is a perspective view of a storage container showing our new design;
FIG. 2 is a rear view of the storage container illustrated in FIG. 1;
FIG. 3 is a front view of the flatware handle illustrated in FIG. 1;
FIG. 4 is a left side view of the storage container illustrated in FIG. 1;
FIG. 5 is a right side view of the storage container illustrated in FIG. 1;
FIG. 6 is a top view of the storage container illustrated in FIG. 1; and,
FIG. 7 is a bottom view of the storage container illustrated in FIG. 1.

The broken lines shown illustrate portions of the storage container that form no part of the claimed design.

1 Claim, 7 Drawing Sheets



(56)

References Cited

U.S. PATENT DOCUMENTS

D318,225 S * 7/1991 Cassai D9/772
 5,052,592 A * 10/1991 Wilken B65D 83/0033
 222/212
 D322,753 S * 12/1991 Sussman D9/504
 D347,359 S * 5/1994 Robbins, III D9/504
 D381,259 S * 7/1997 Hayes D9/454
 D420,466 S * 2/2000 Coates D28/76
 D424,719 S * 5/2000 Freeman D9/428
 D466,814 S * 12/2002 Hurlburt D9/504
 D477,536 S * 7/2003 Kudo D9/516
 D530,208 S * 10/2006 Danne D9/504
 D562,500 S * 2/2008 Dretzka D28/73
 H2217 H * 6/2008 Smay D9/503
 D612,240 S * 3/2010 Cresswell D9/504
 D623,475 S * 9/2010 Aarnoudse D9/504
 D639,661 S * 6/2011 Llerena D9/504
 D659,539 S * 5/2012 Bakic D9/503
 D661,192 S * 6/2012 Hwang D9/504
 D682,625 S * 5/2013 Lane D7/629
 D699,112 S * 2/2014 Jung D9/504
 D722,273 S * 2/2015 Ivie D9/500
 D739,740 S * 9/2015 Sturdevant D9/504
 D765,512 S * 9/2016 Joulia D9/504
 D780,533 S * 3/2017 Seiders D7/608
 D828,113 S * 9/2018 Fleischhut D9/503
 D844,435 S * 4/2019 Deylamian B65D 7/36
 D9/503

D844,436 S * 4/2019 Deylamian D9/503
 D844,438 S * 4/2019 Deylamian D9/503
 D844,439 S * 4/2019 Deylamian D9/503
 D871,844 S * 1/2020 Adams, Jr. D9/504
 D888,505 S * 6/2020 Seiders D7/608
 D891,933 S * 8/2020 LaRosa D9/503
 D901,988 S * 11/2020 Jacobsen D7/608
 D902,665 S * 11/2020 Jacobsen D7/608
 10,835,067 B2 * 11/2020 Rane A47G 23/02
 2008/0302756 A1 * 12/2008 Phillips B65D 7/36
 215/329
 2020/0015609 A1 * 1/2020 Rhodes A47G 19/2205

OTHER PUBLICATIONS

Daniel Brown, Oct. 10, 2019, Xiamomi XMYX02JY Mi Outdoor Speaker Review, URL: [https://www.wovow.org/xiaomi-xmyx02jy-mi-outdoor-speaker-review-2019/#:~:text=Xiaomi%20XMYX02JY%20Mi%20Outdoor%20Speaker%20is%20a%20compact%20and%20stylish,is%20not%20afraid%20of%20water.\(Year:2019\).*](https://www.wovow.org/xiaomi-xmyx02jy-mi-outdoor-speaker-review-2019/#:~:text=Xiaomi%20XMYX02JY%20Mi%20Outdoor%20Speaker%20is%20a%20compact%20and%20stylish,is%20not%20afraid%20of%20water.(Year:2019).*)
 Dona, May 19, 2016, Amazon.com Product review post: Hydro Flask Food Flask Thermos Jar—Stainless Steel & Vacuum Insulated—Leak Proof Cap—18 oz, Pacific URL: <https://www.amazon.com/Hydro-Flask-Insulated-Stainless-Thermos/dp/B07946D48B?th=1> (Year: 2016).*

* cited by examiner

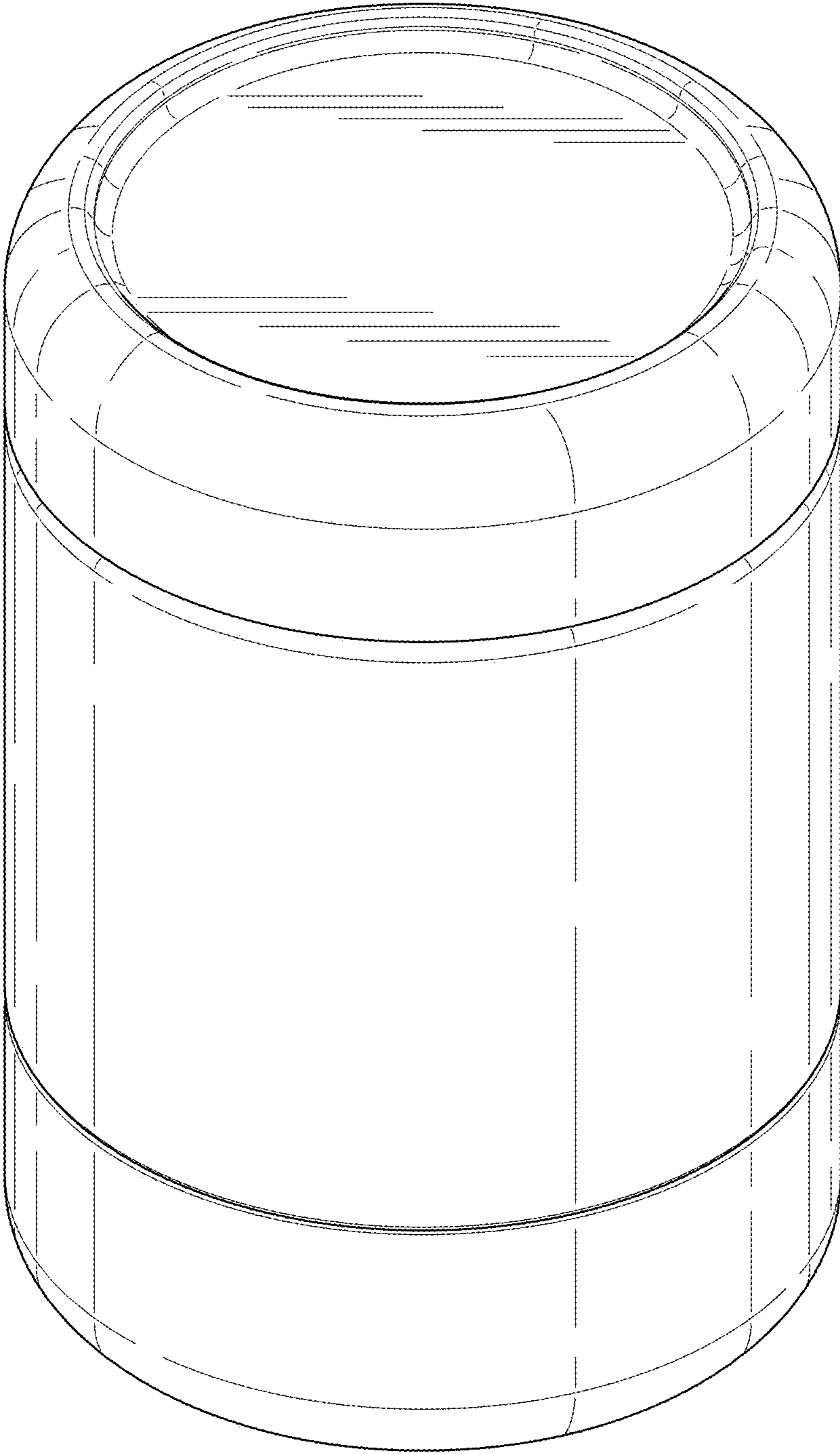


FIG. 1

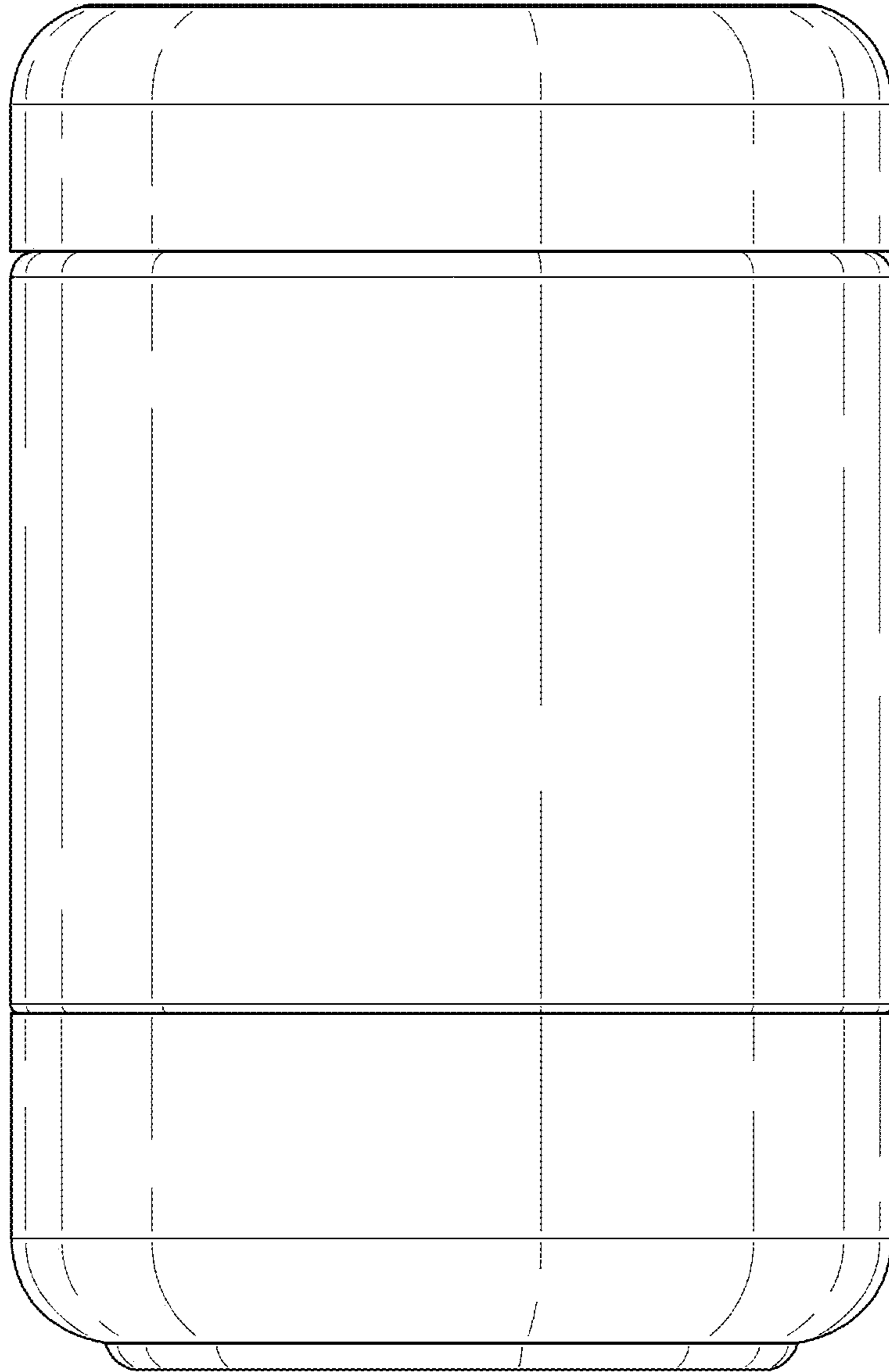


FIG. 2

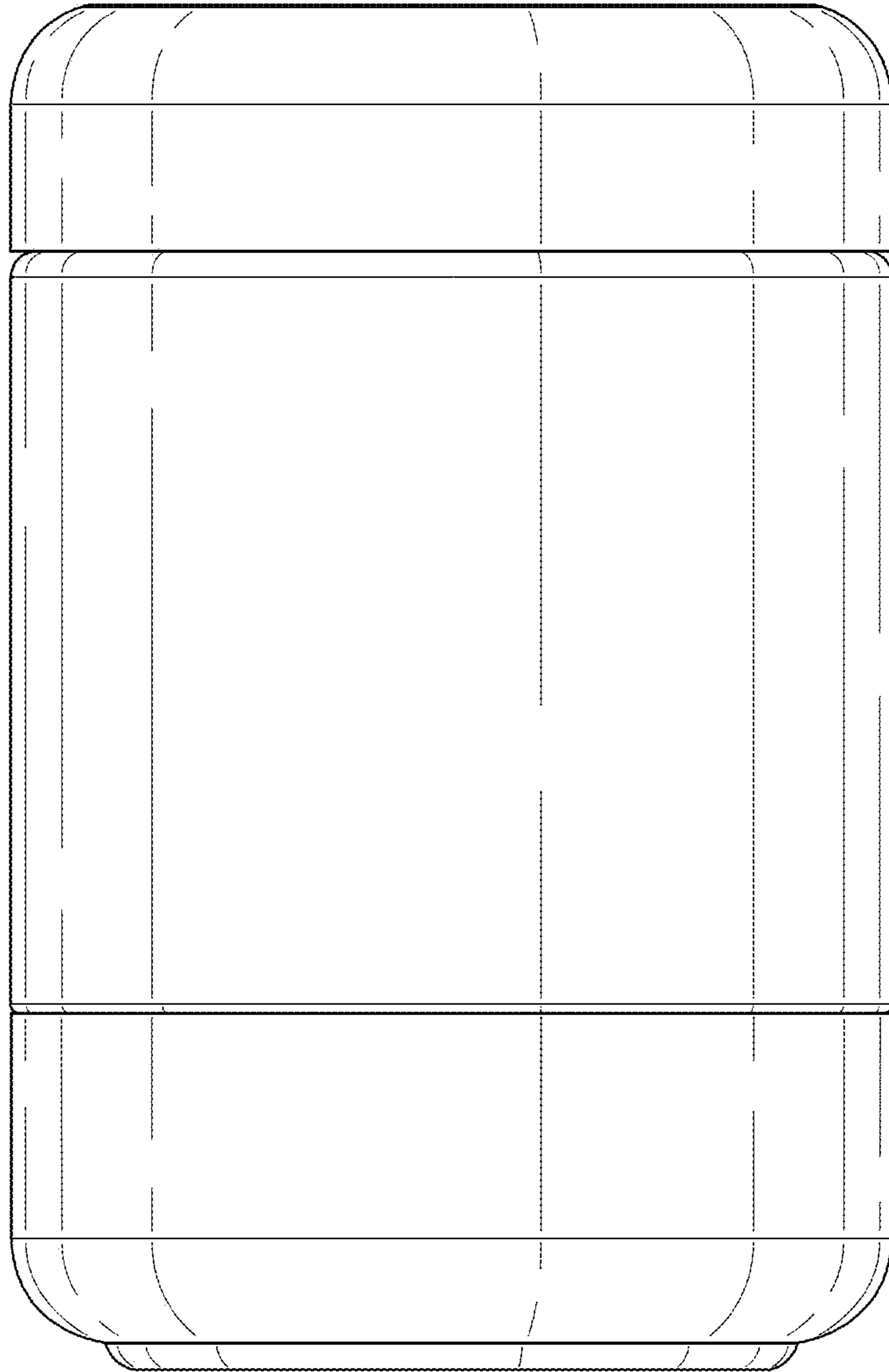


FIG. 3

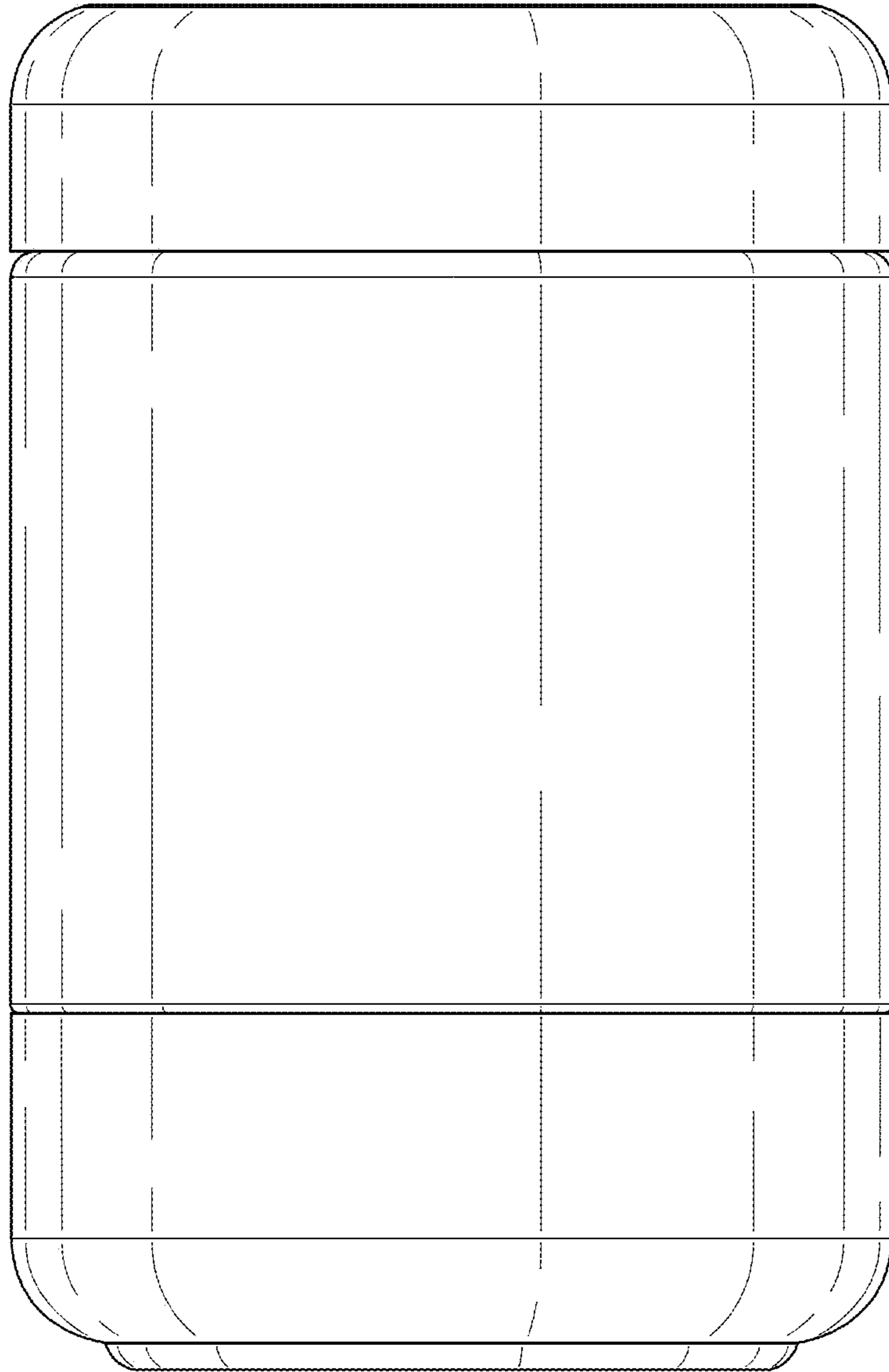


FIG. 4

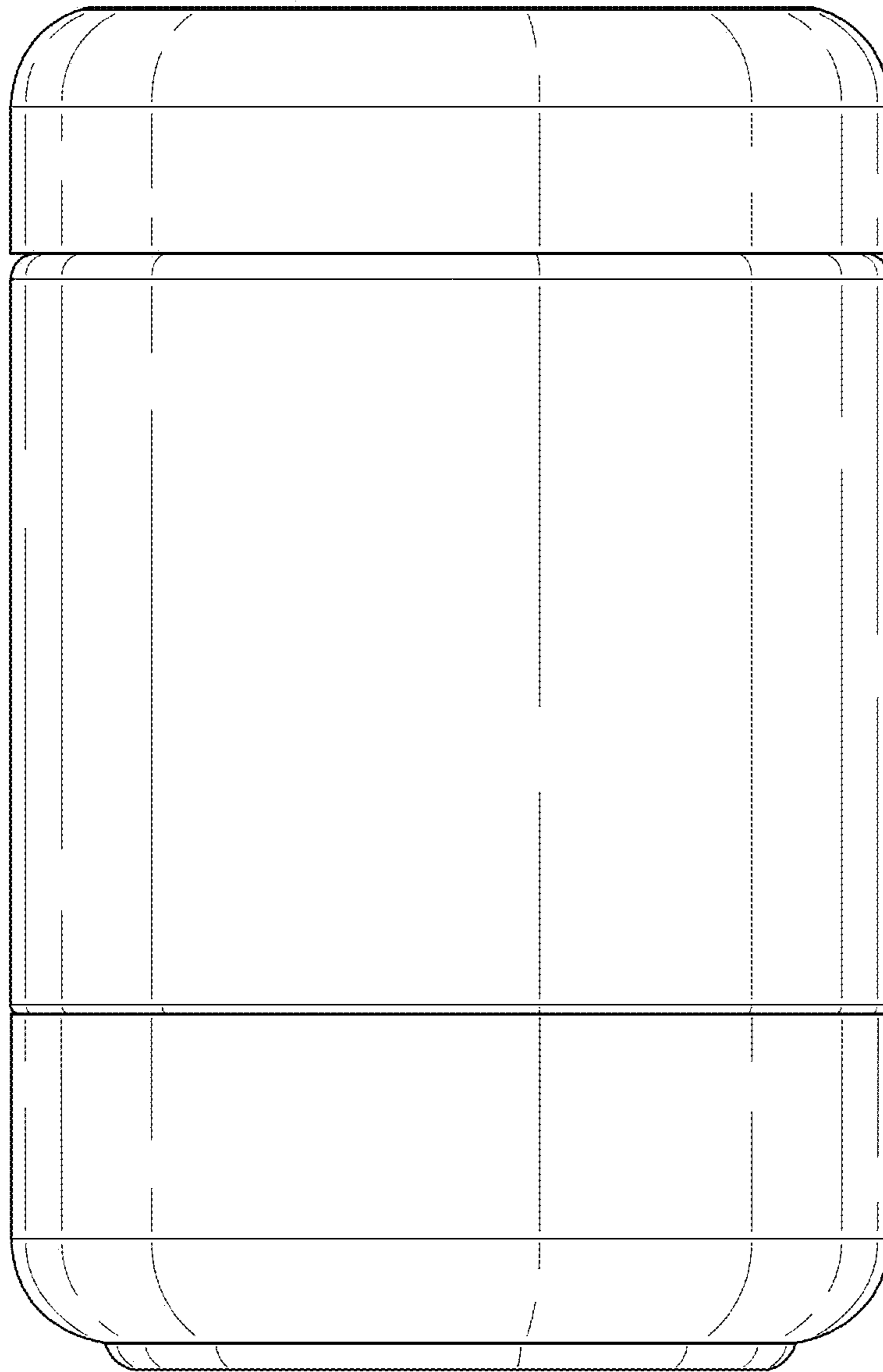


FIG. 5

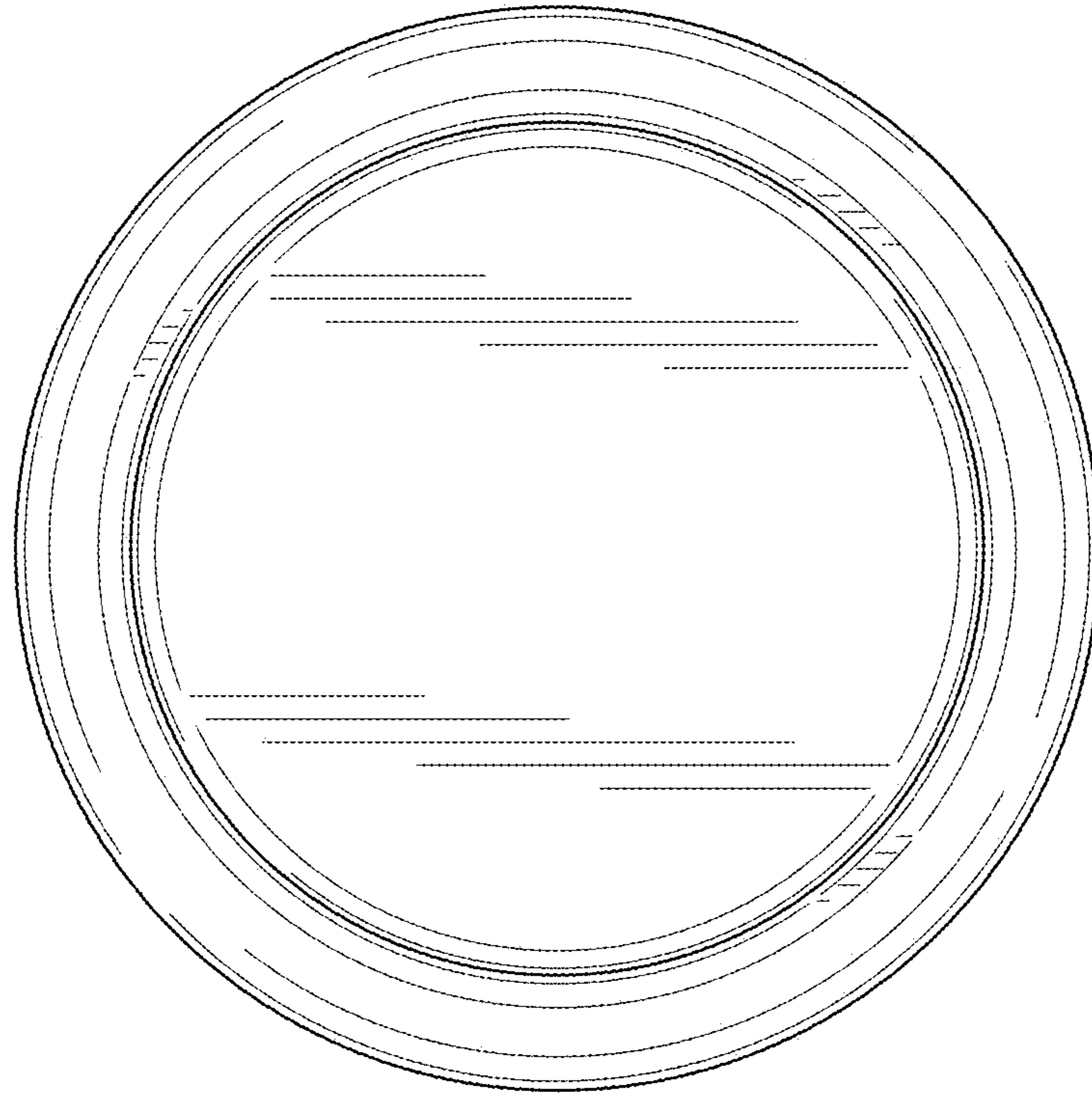


FIG. 6

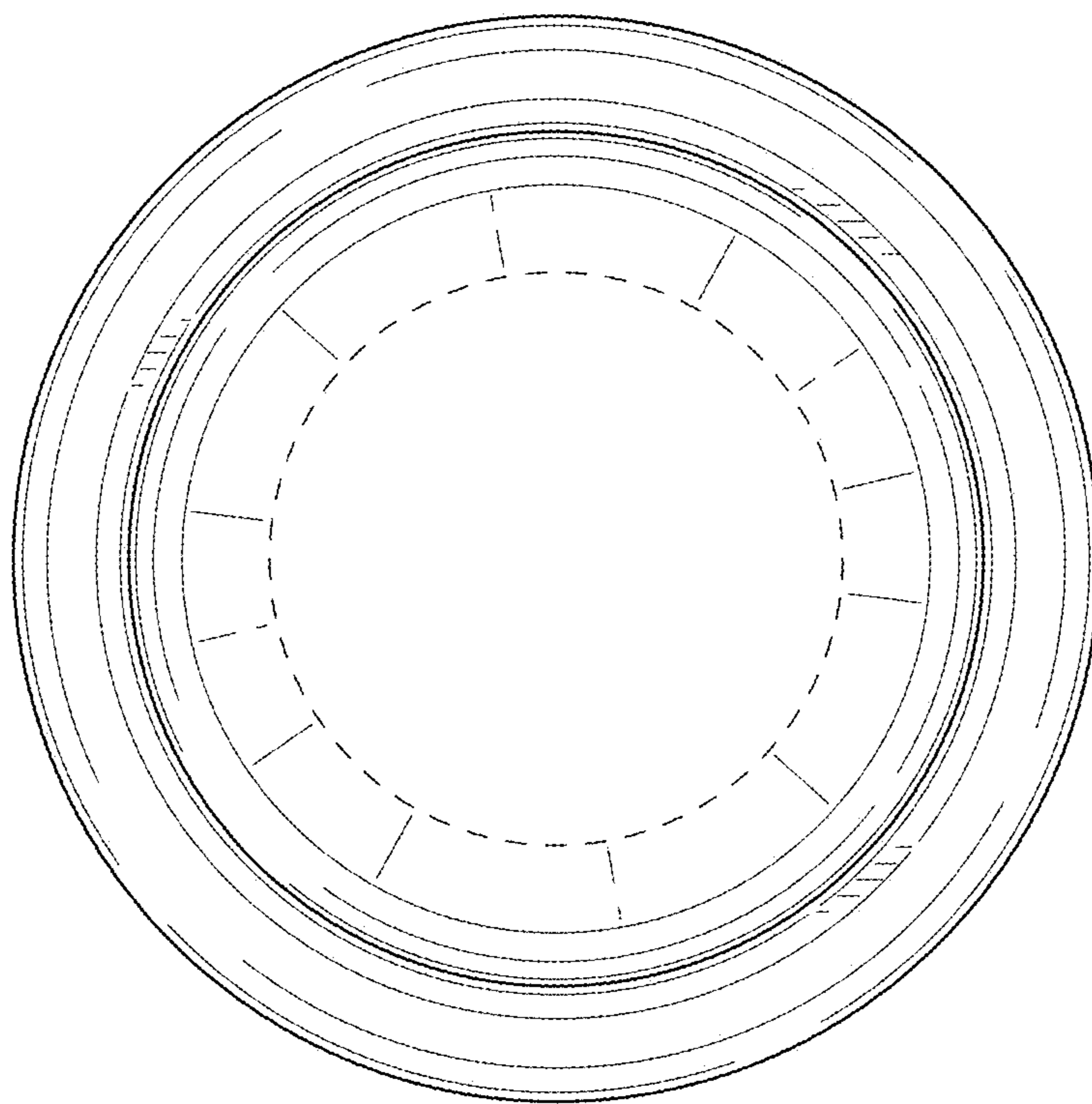


FIG. 7