



US00D929857S

(12) **United States Design Patent** (10) **Patent No.:** **US D929,857 S**
Mastronardi (45) **Date of Patent:** **** Sep. 7, 2021**

(54) **CONTAINER**

(71) Applicant: **Mastronardi Produce Ltd.**, Kingsville (CA)

(72) Inventor: **Paul Mastronardi**, Leamington (CA)

(73) Assignee: **Mastronardi Produce Limited**, Kingsville (CA)

(**) Term: **15 Years**

(21) Appl. No.: **29/710,575**

(22) Filed: **Oct. 24, 2019**

(51) **LOC (13) Cl.** **09-03**

(52) **U.S. Cl.**
USPC **D9/425**

(58) **Field of Classification Search**
USPC D7/601, 602; D9/420, 425-432, 737, D9/761

(Continued)

(56) **References Cited**

U.S. PATENT DOCUMENTS

D419,829 S 2/2000 Wilson et al.
D448,991 S * 10/2001 Zettle D9/423

(Continued)

OTHER PUBLICATIONS

TAVVA Stainless Steel Food Containers; TAVVA; <https://www.amazon.com/Stainless-Steel-Food-Storage-Containers/dp/B07DD24KYH/ref=sr_1_136?keywords=square+food+container&qid=1580485042&sr=8-136> Jul. 1, 2018; 1 page.

(Continued)

Primary Examiner — Janice Patyk

(74) *Attorney, Agent, or Firm* — Dinsmore & Shohl LLP

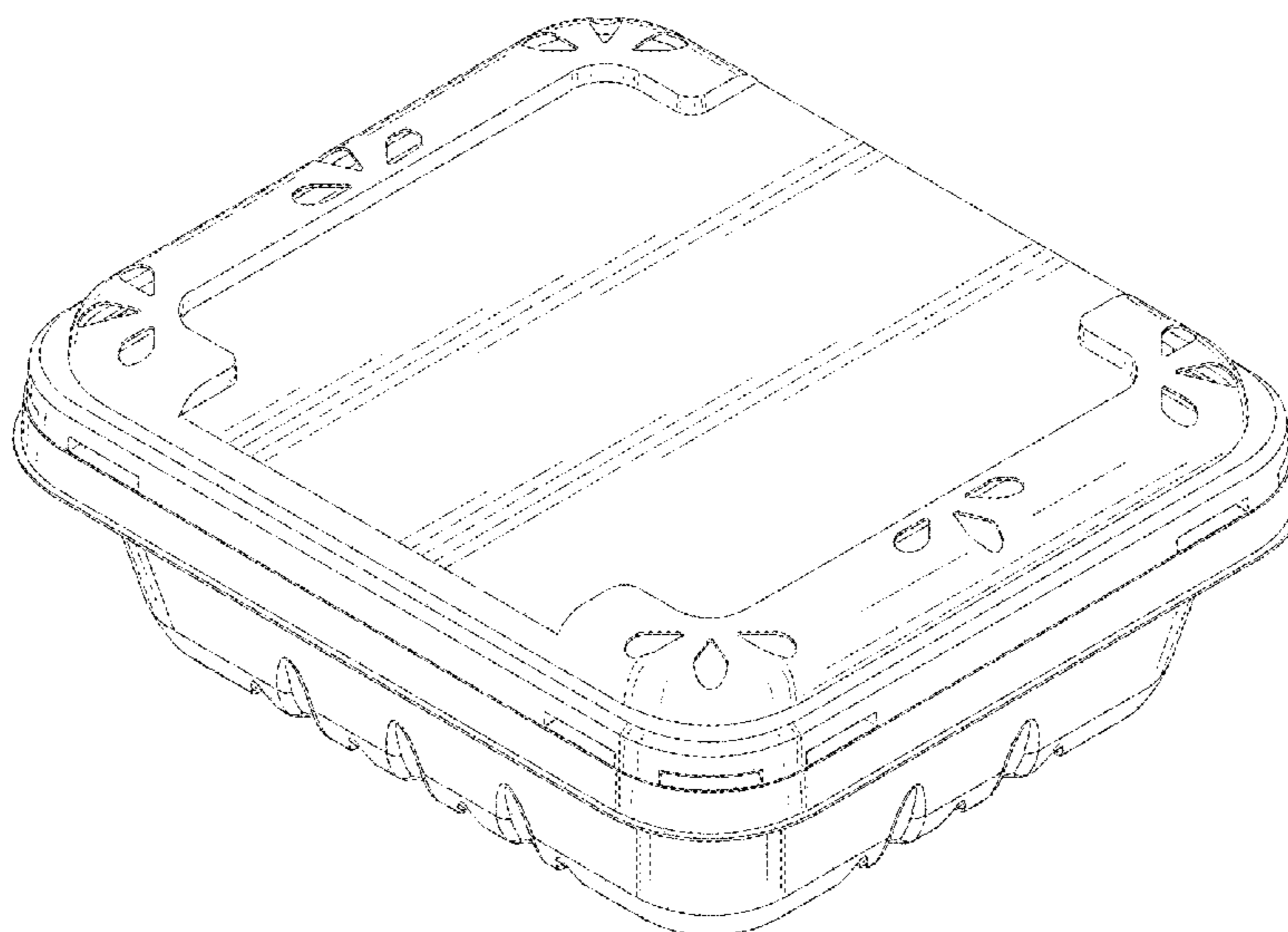
(57) **CLAIM**

The ornamental design for a container, as shown and described.

DESCRIPTION

FIG. 1 is a top perspective view of a container, showing my new design;
 FIG. 2 is a top plan view thereof;
 FIG. 3 is a side elevation view thereof;
 FIG. 4 is an opposite side elevation view thereof;
 FIG. 5 is a bottom plan view thereof;
 FIG. 6 is a front elevation view thereof;
 FIG. 7 is a rear elevation view thereof;
 FIG. 8 is a top perspective view thereof, shown without the lid for ease of illustration;
 FIG. 9 is a side elevation view thereof, shown without the lid for ease of illustration;
 FIG. 10 is an opposite side elevation view thereof, shown without the lid for ease of illustration;
 FIG. 11 is a top plan view thereof, shown without the lid for ease of illustration;
 FIG. 12 is a rear elevation view thereof, shown without the lid for ease of illustration;
 FIG. 13 is a bottom plan view thereof, shown without the lid for ease of illustration;
 FIG. 14 is a front elevation view thereof, shown without the lid for ease of illustration;
 FIG. 15 is a top perspective view thereof, shown without the base for ease of illustration;
 FIG. 16 is a side elevation view thereof, shown without the base for ease of illustration;
 FIG. 17 is an opposite side elevation view thereof, shown without the base for ease of illustration;
 FIG. 18 is a top plan view thereof, shown without the base for ease of illustration;
 FIG. 19 is a rear elevation view thereof, shown without the base for ease of illustration;
 FIG. 20 is a bottom plan view thereof, shown without the base for ease of illustration; and,
 FIG. 21 is a front elevation view thereof, shown without the base for ease of illustration.

1 Claim, 12 Drawing Sheets



(58) **Field of Classification Search**

CPC ... B65D 1/00; B65D 1/26; B65D 1/34; B65D 1/40; B65D 11/00; B65D 11/20; B65D 21/00; B65D 21/02; B65D 21/0209; B65D 21/0233; B65D 81/34; B65D 81/3446; B65D 81/3453; B65D 2581/34; B65D 2581/3404; B65D 2581/3409

See application file for complete search history.

(56) **References Cited**

U.S. PATENT DOCUMENTS

D475,620	S	*	6/2003	Chen	D9/425
D505,839	S		6/2005	Stanos et al.		
D555,475	S		11/2007	Enriquez et al.		
D640,506	S		6/2011	Garg et al.		
D682,674	S		5/2013	Krueger et al.		
D691,891	S	*	10/2013	Joy	D7/629
8,967,416	B2	*	3/2015	Furlong	B65D 51/16 220/380
D753,808	S	*	4/2016	Schmidt Dios	D23/359
D760,073	S	*	6/2016	Mather	D9/432
D793,225	S	*	8/2017	Hu	D9/423
D814,883	S		4/2018	Day et al.		

OTHER PUBLICATIONS

B4000-2—Uniware Heat Resistant Premium Glass Food Container with Snap-Lock Lid; Uniware; <<https://www.uniwarestore.com/heat-resistant-premium-glass-food-container-with-snap-lock-lid-27oz-800ml-rectangle.html>>; Jan. 31, 2020; 2 pages.

Lock & Lock 3X Square Food Container with Divider Lunch Box; Lock & Lock; <<https://www.ebay.com/c/691265550>> Jan. 31, 2020; 1 page.

Bormioli Rocco Frigoverre Square Food Container; Bormioli Rocco; <<https://www.realsimple.com/shop/bormioli-rocco-bormioli-rocco-frigoverre-square-food-container-with-frosted-lid-54-1-4-ounce-p2603cccd2712ad081ce75ce67d76207.html>> Jul. 9, 2018; 1 page.

Unique Bargains Clear Plastic Square Shaped Flower Pattern Cosmetic Sundries Storage Box Case; Unique Bargains; <<https://www.newegg.com/p/2BF-008B-003K5>> Jan. 18, 2019; 1 page.

Leak proof hot sealing 304 tiffin box stainless steel food pan carrier stainless steel lunch box; Happycooking; <https://www.alibaba.com/product-detail/Leak-proof-hot-sealing-304-tiffin_60241197124.html?spm=a2700.7724857.normalList.39.31d325f2aebw0j> Mar. 18, 2019; 1 page.

* cited by examiner

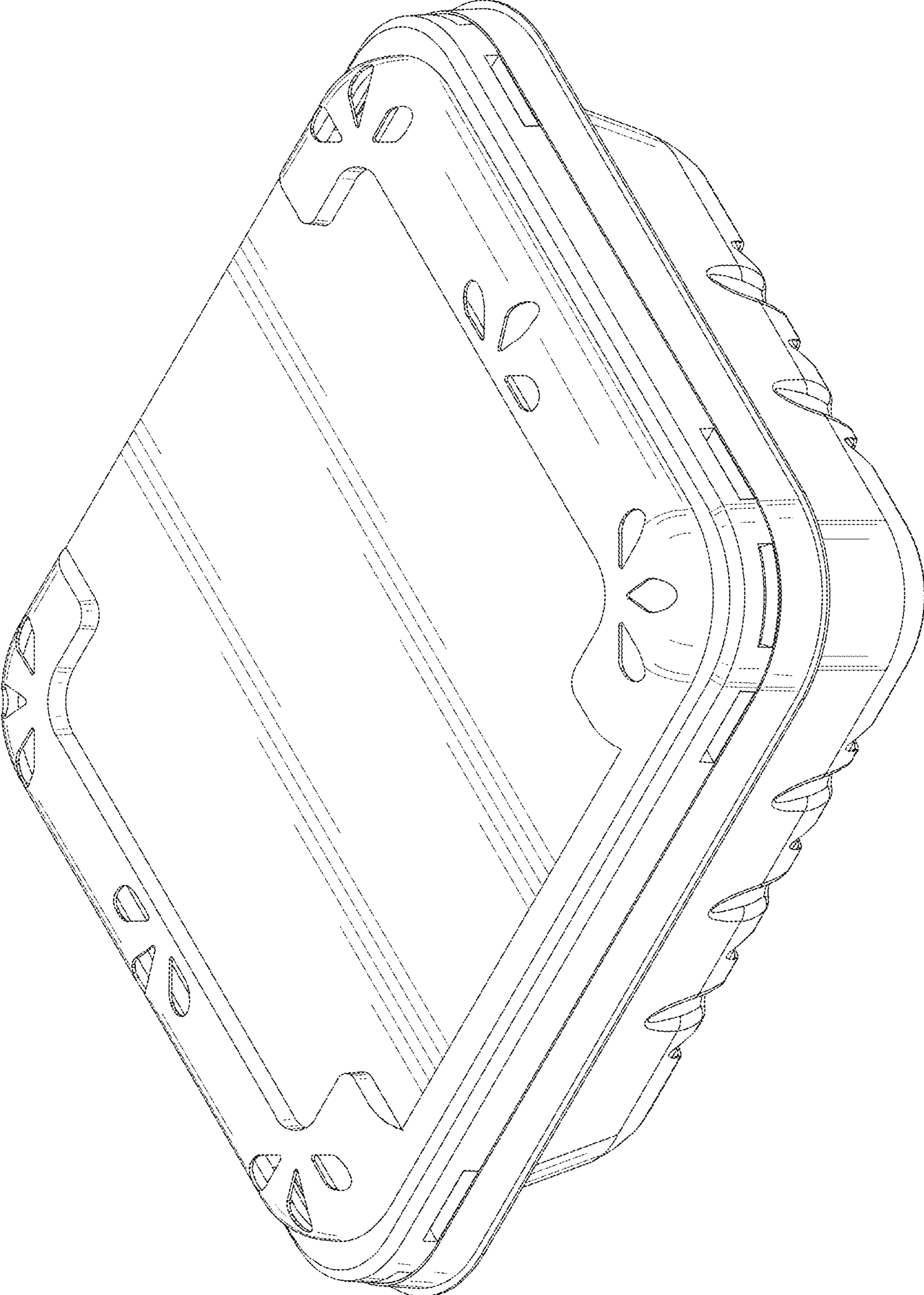


FIG. 1

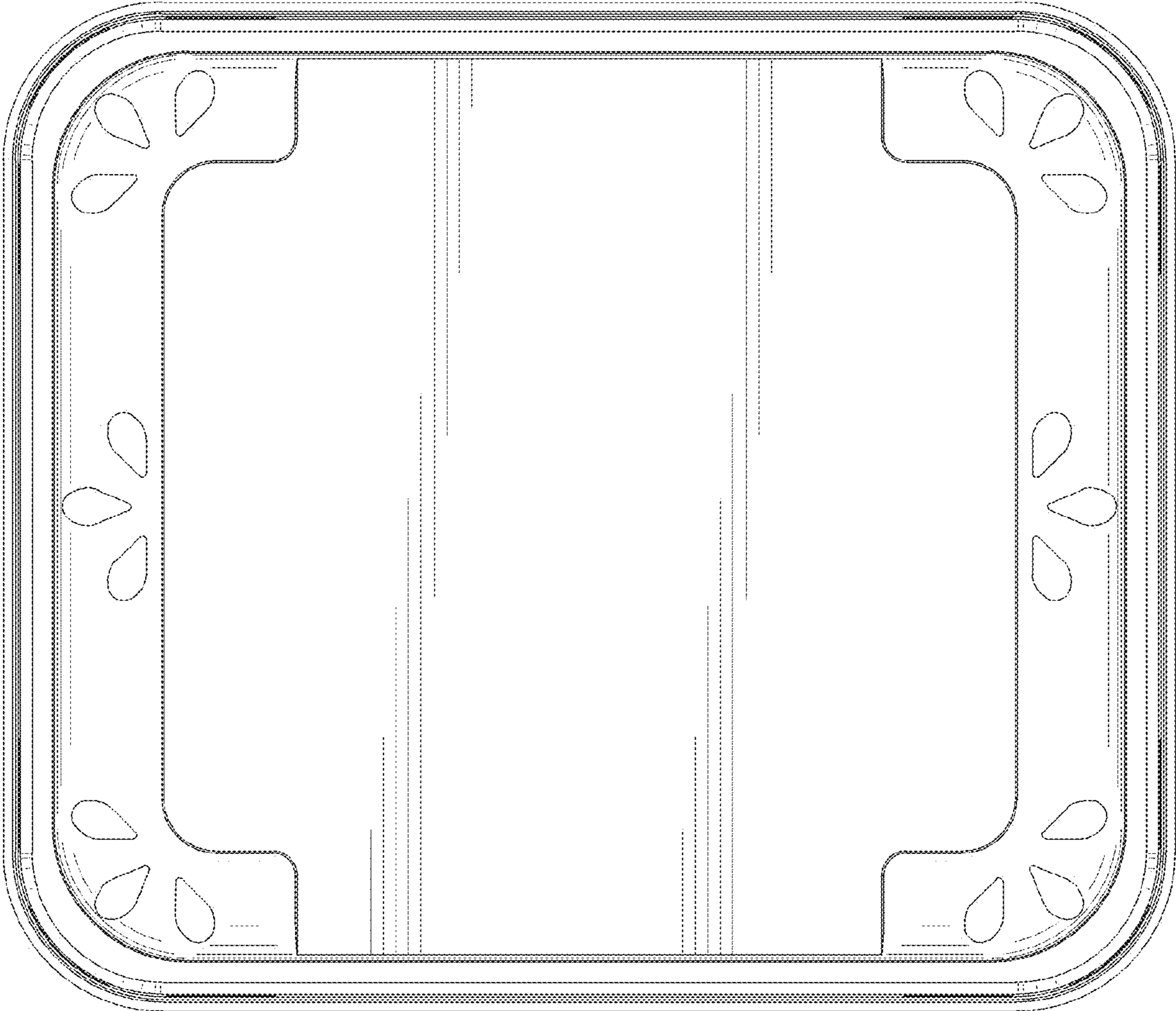


FIG. 2

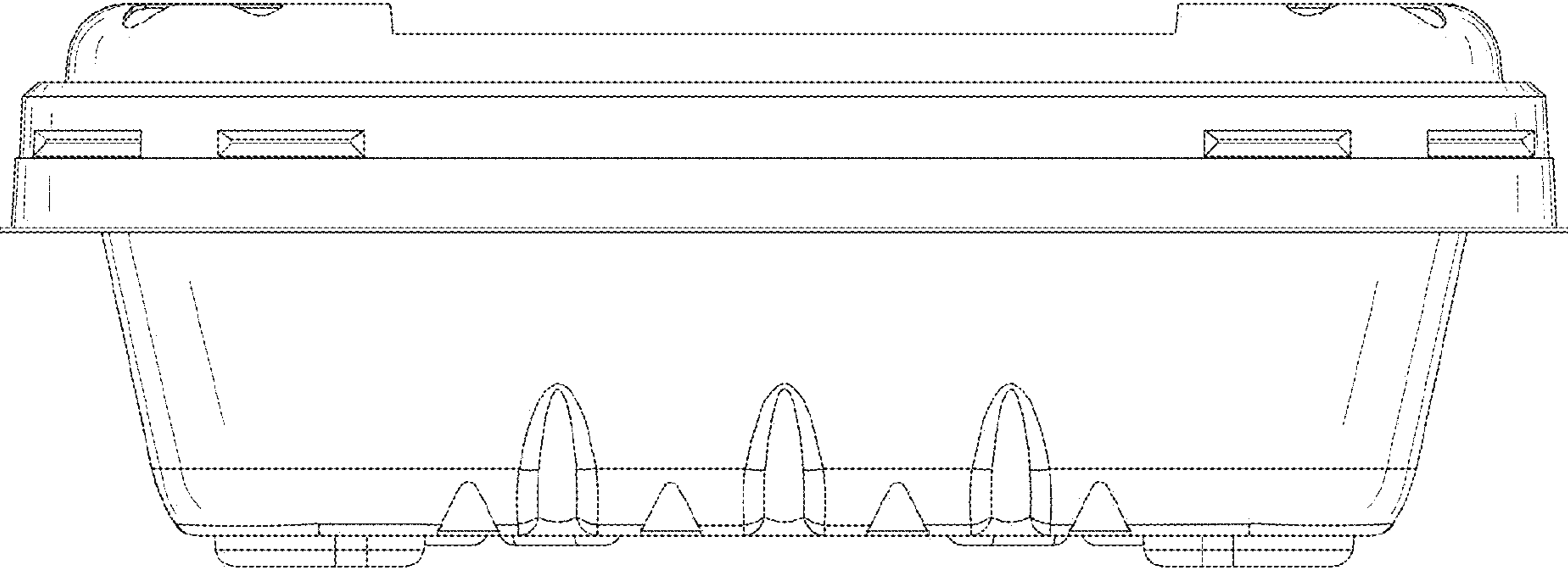


FIG. 3

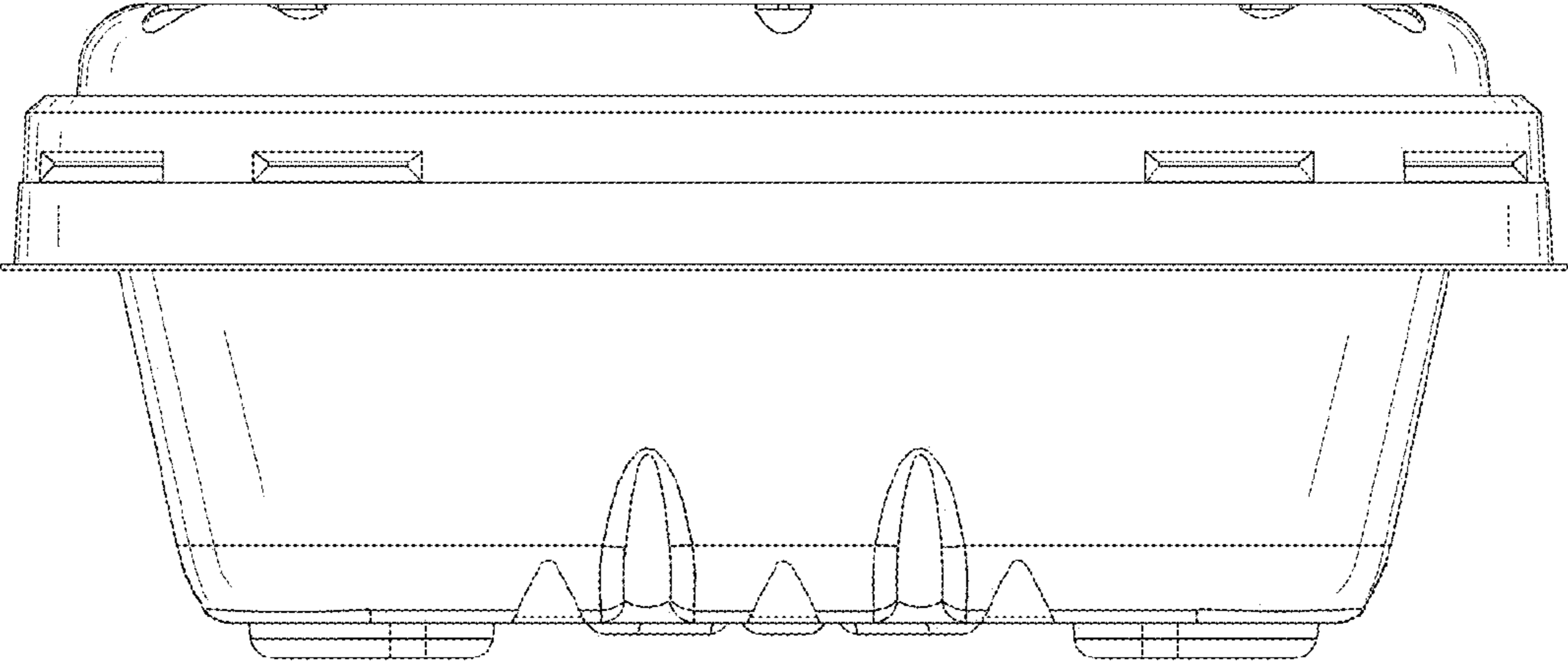


FIG. 4

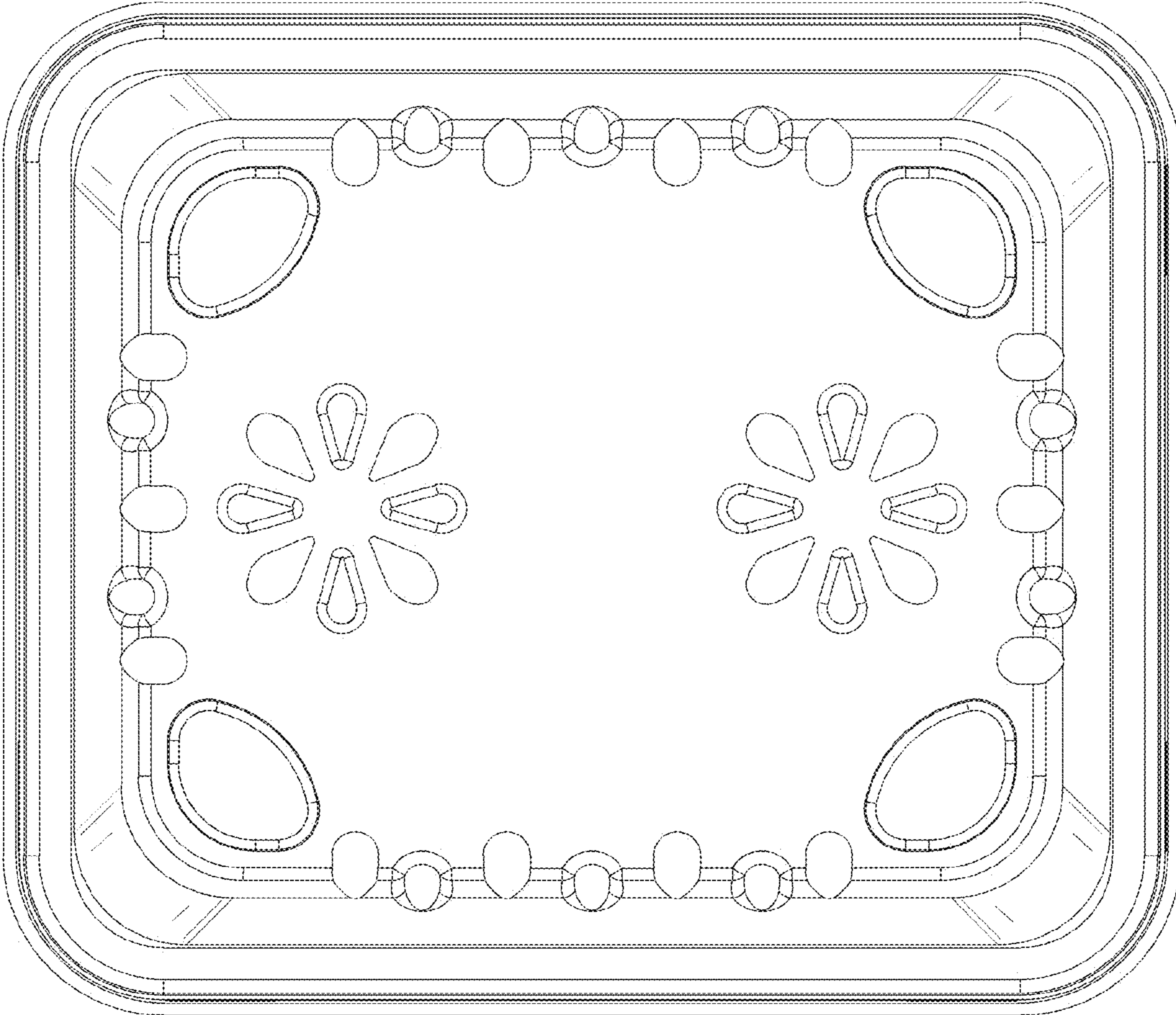


FIG. 5

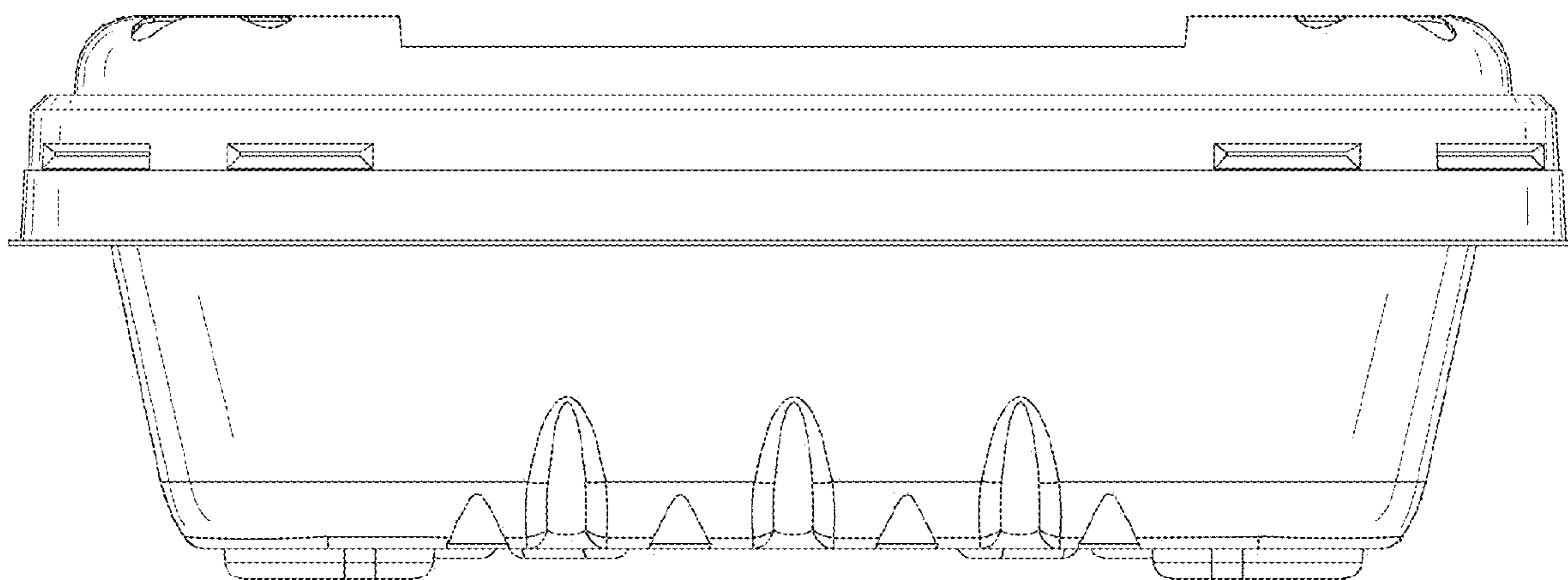


FIG. 6

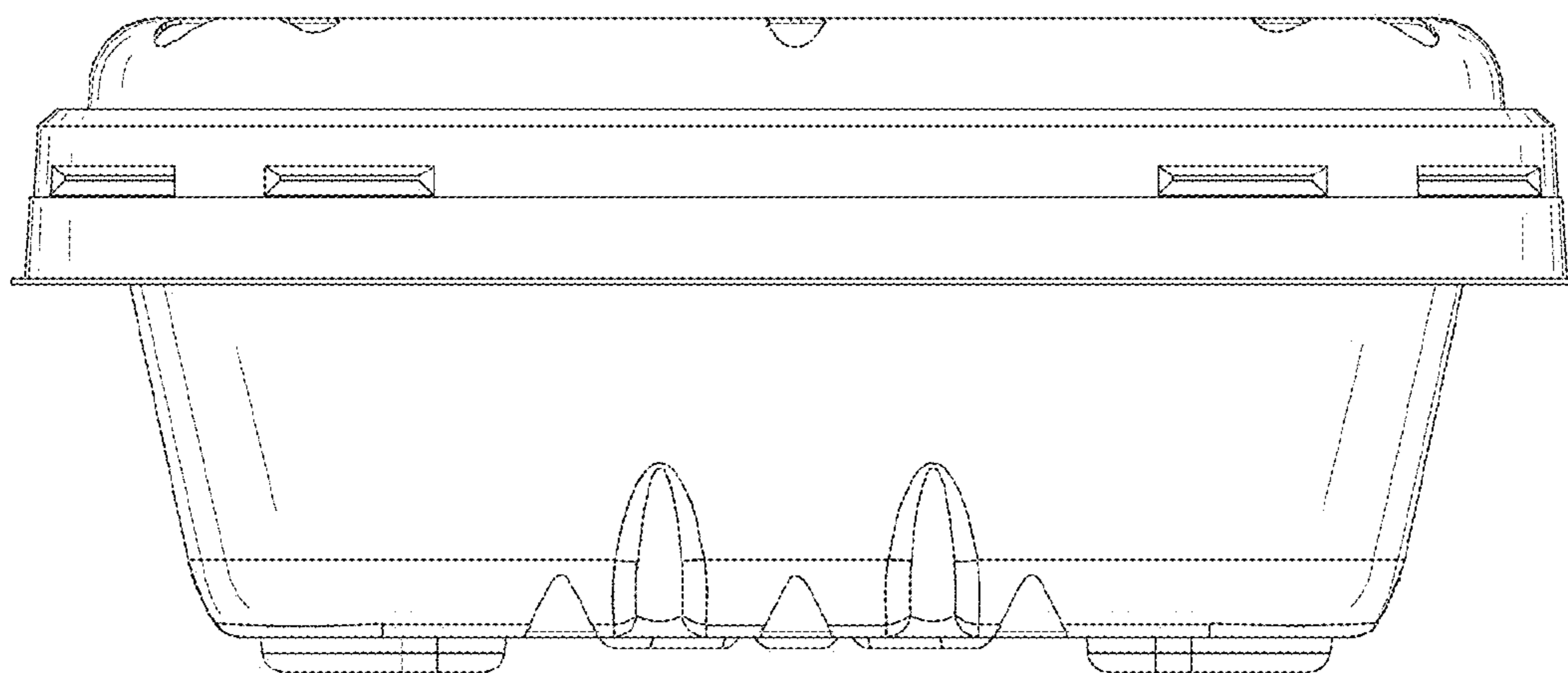


FIG. 7

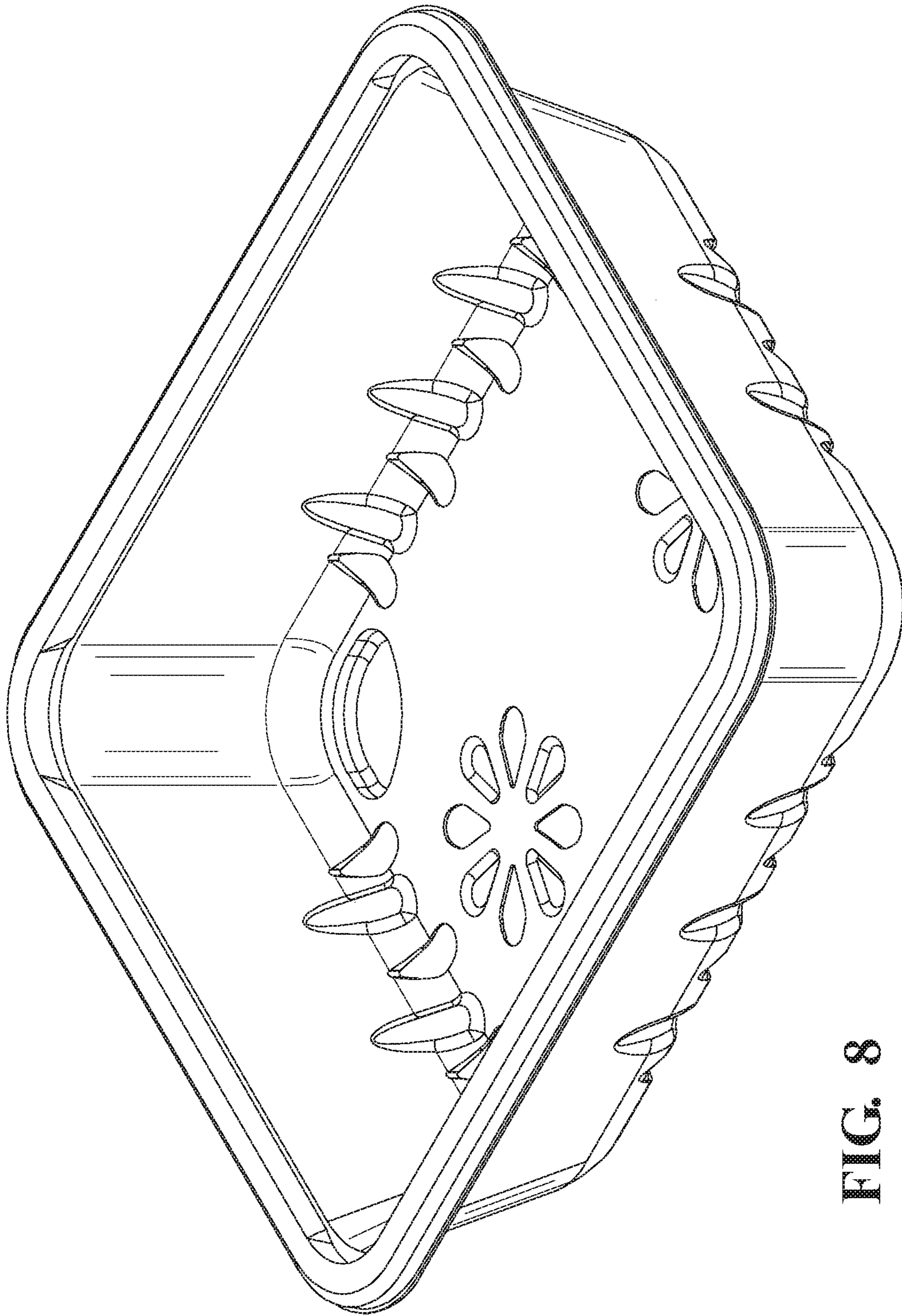


FIG. 8

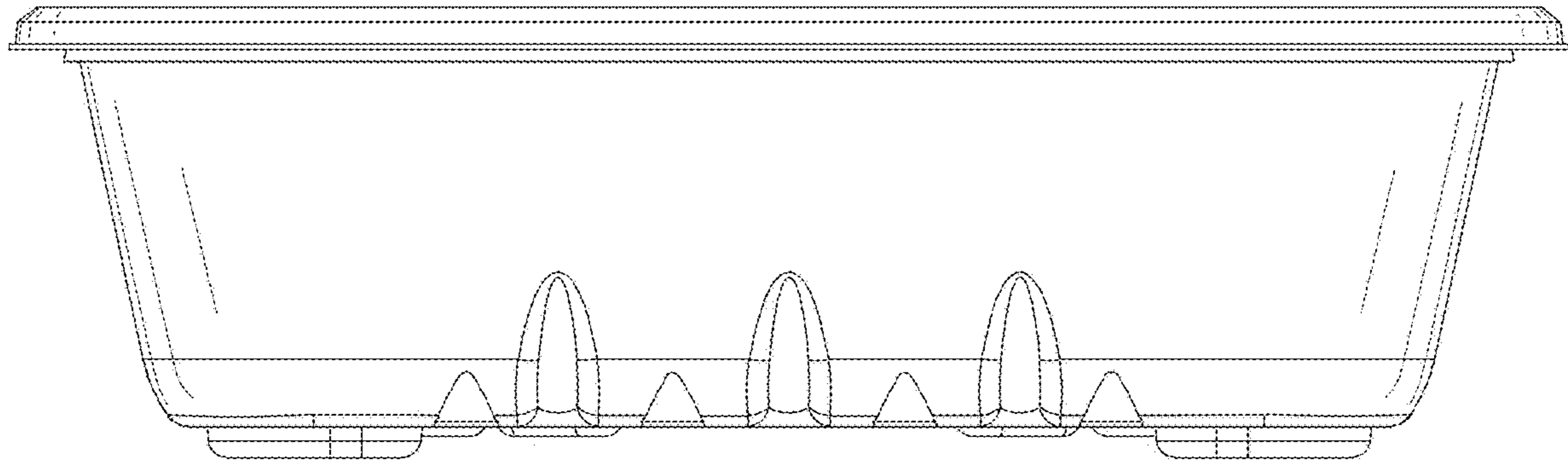


FIG. 9

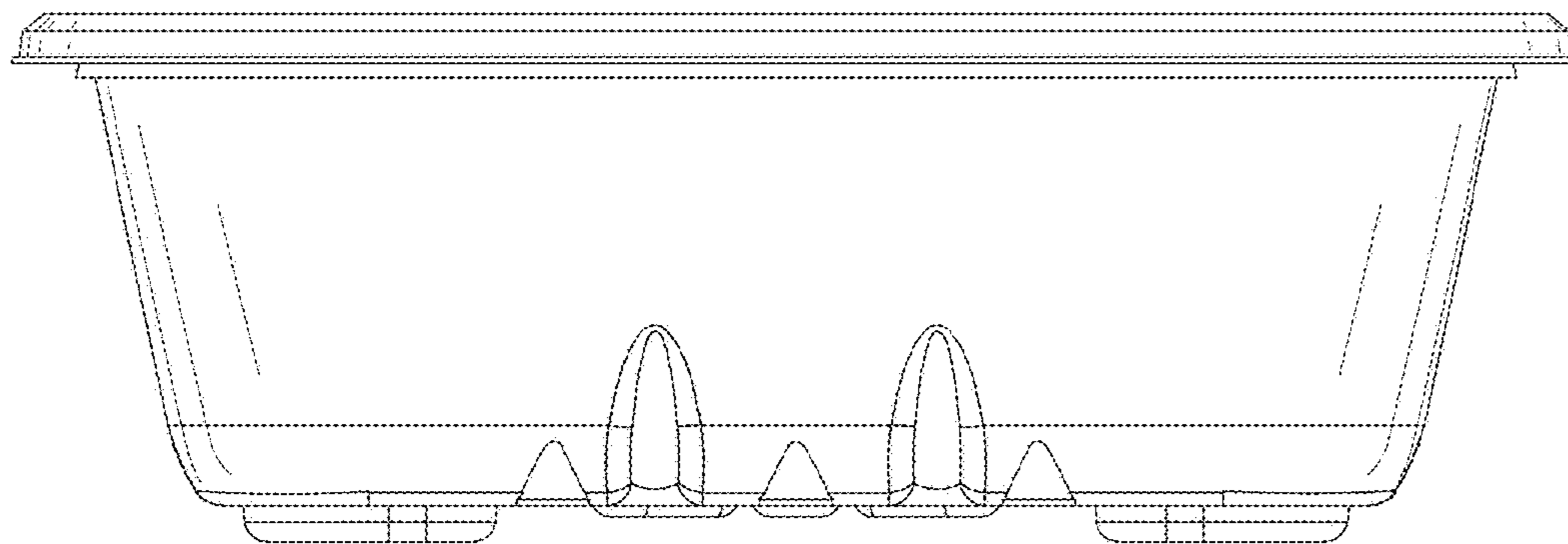


FIG. 10

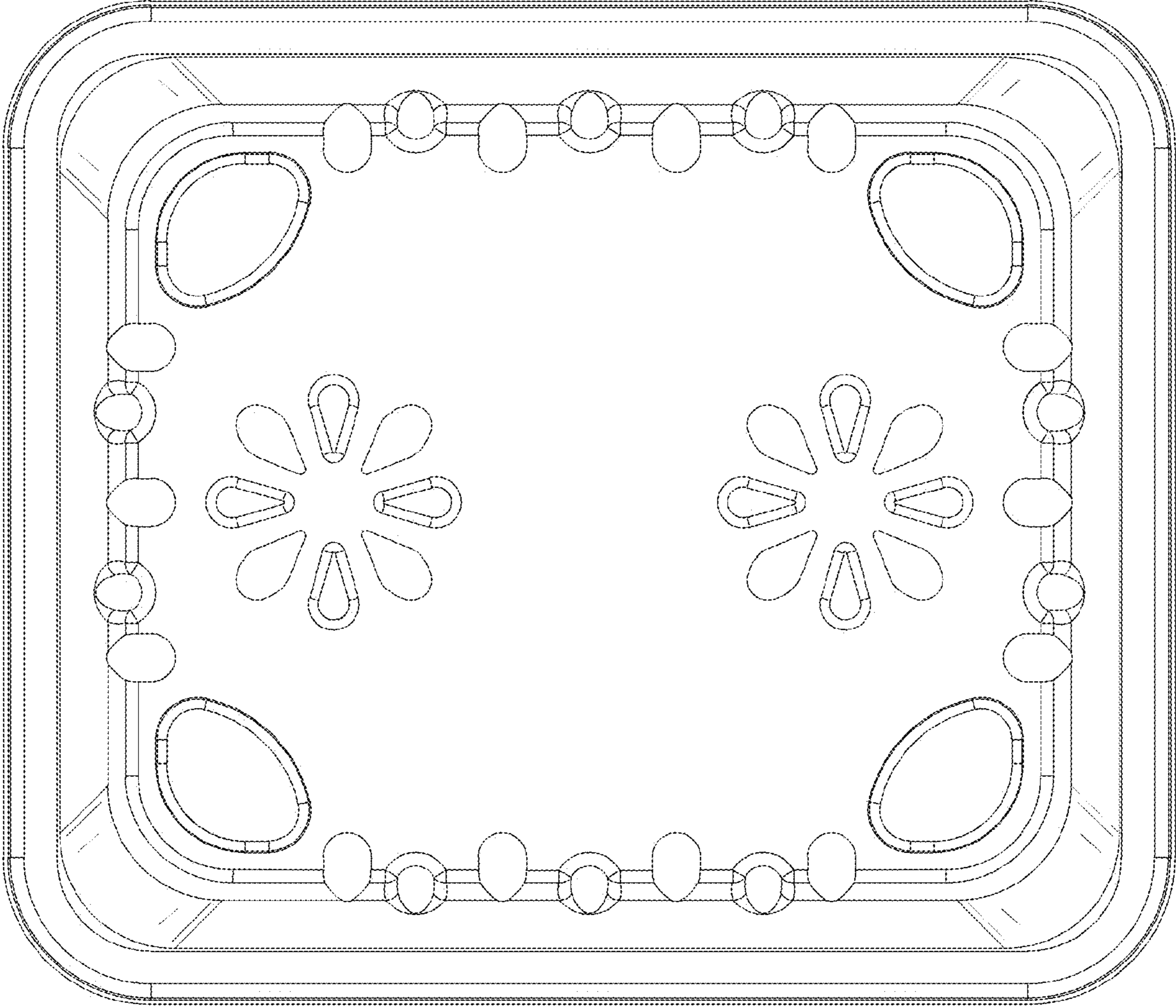


FIG. 11

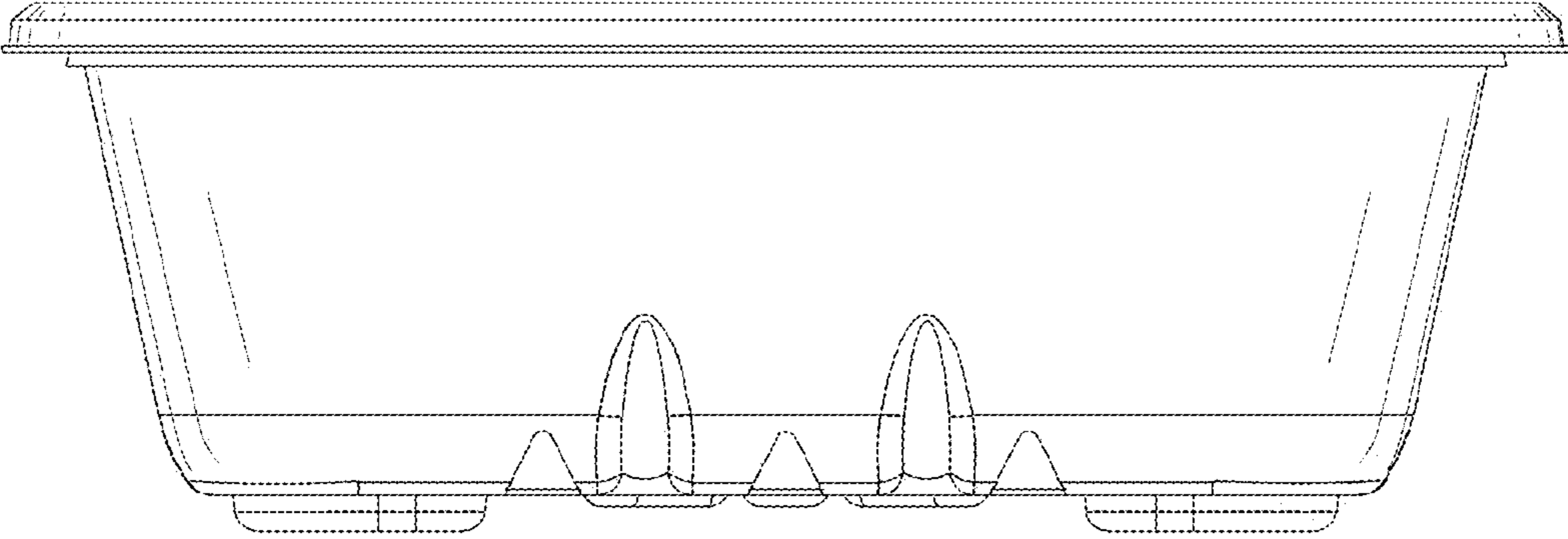


FIG. 12

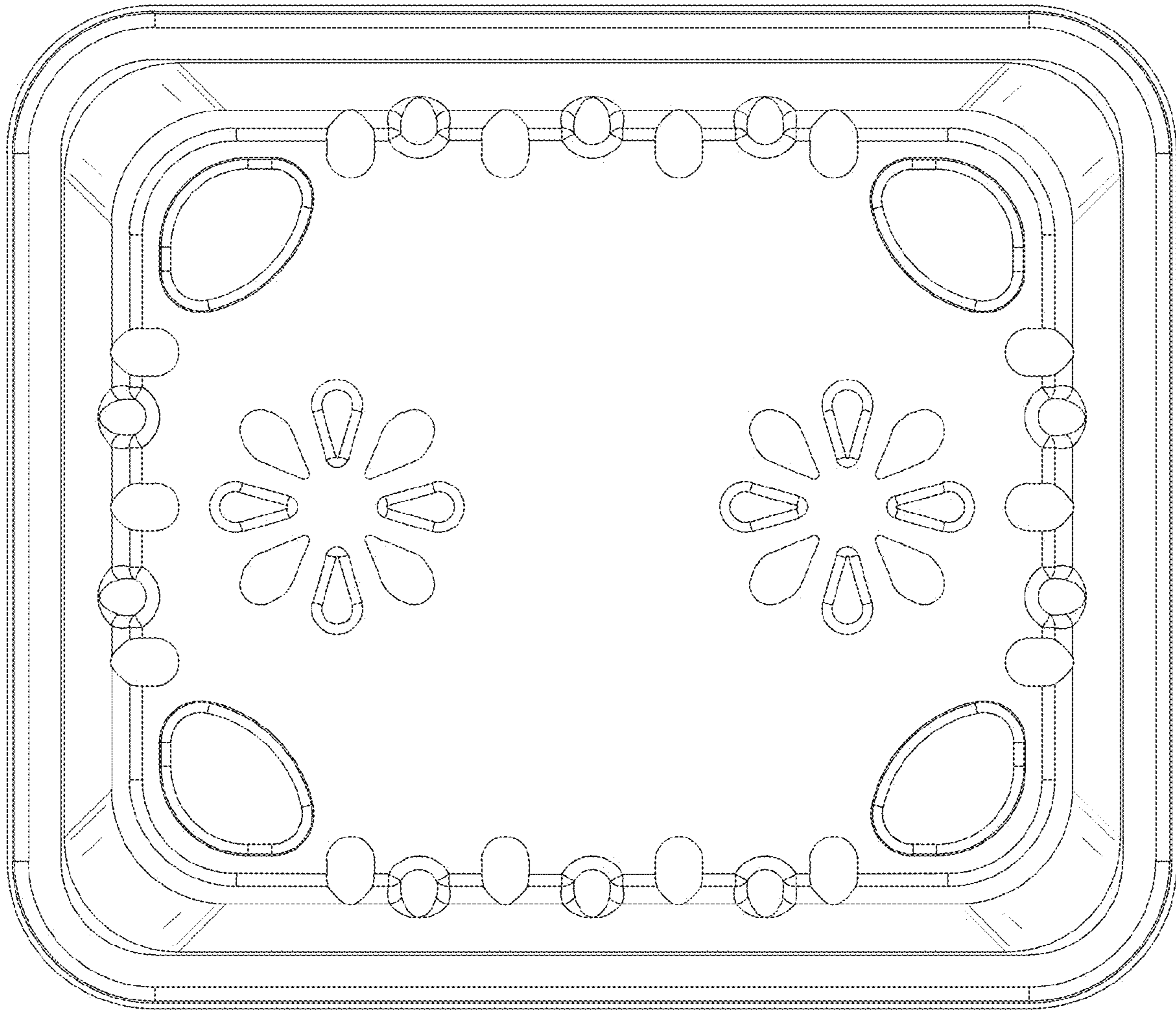


FIG. 13

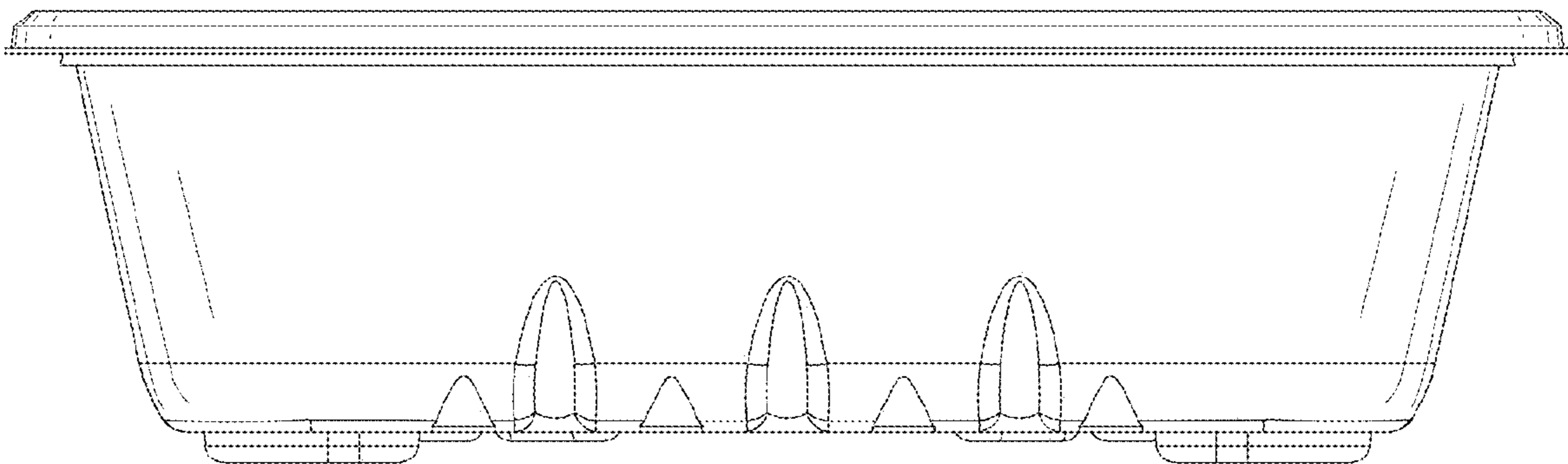


FIG. 14

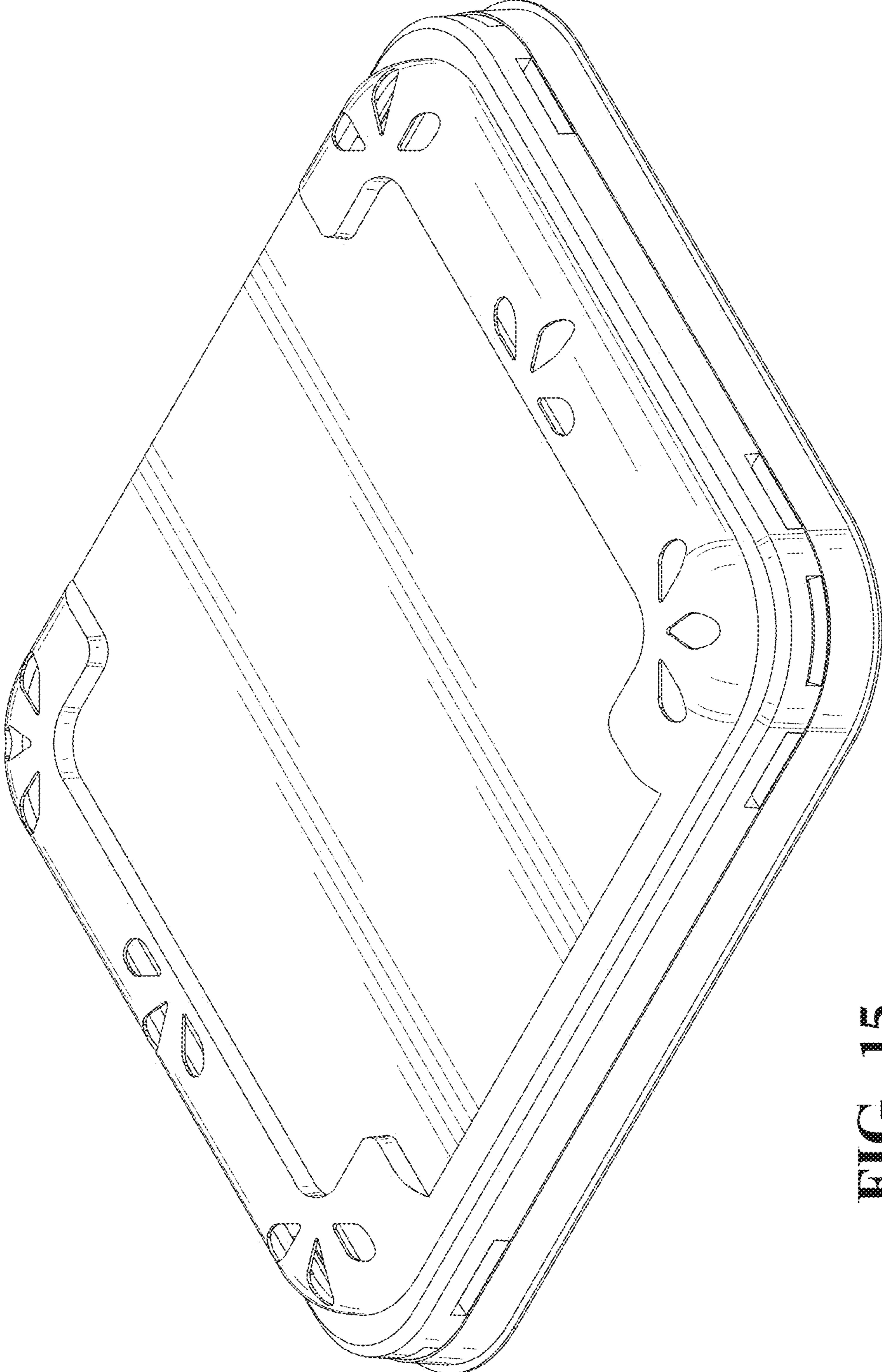


FIG. 15

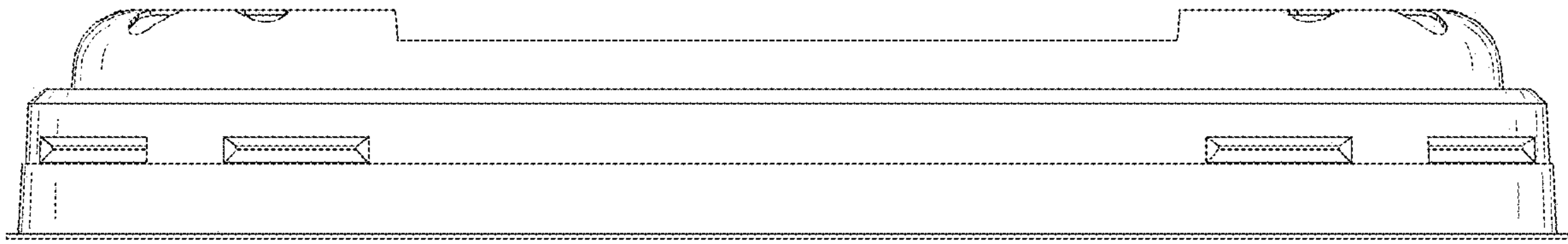


FIG. 16

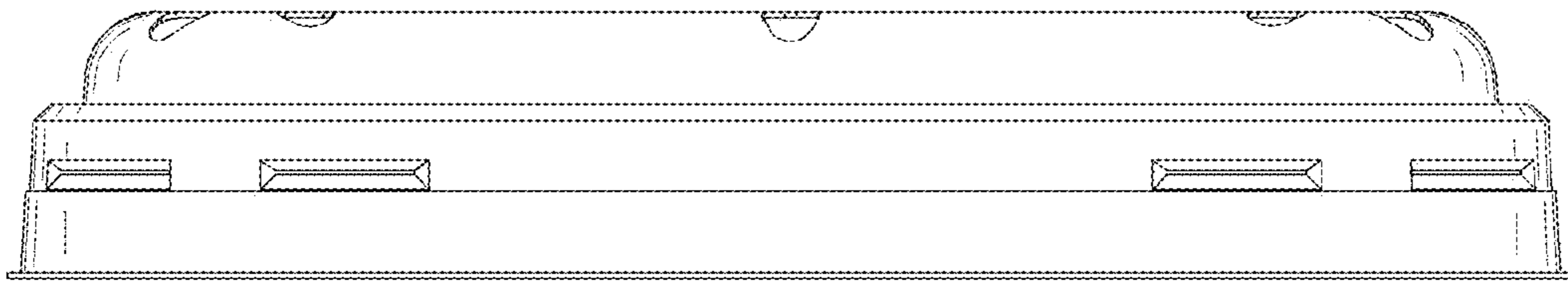


FIG. 17

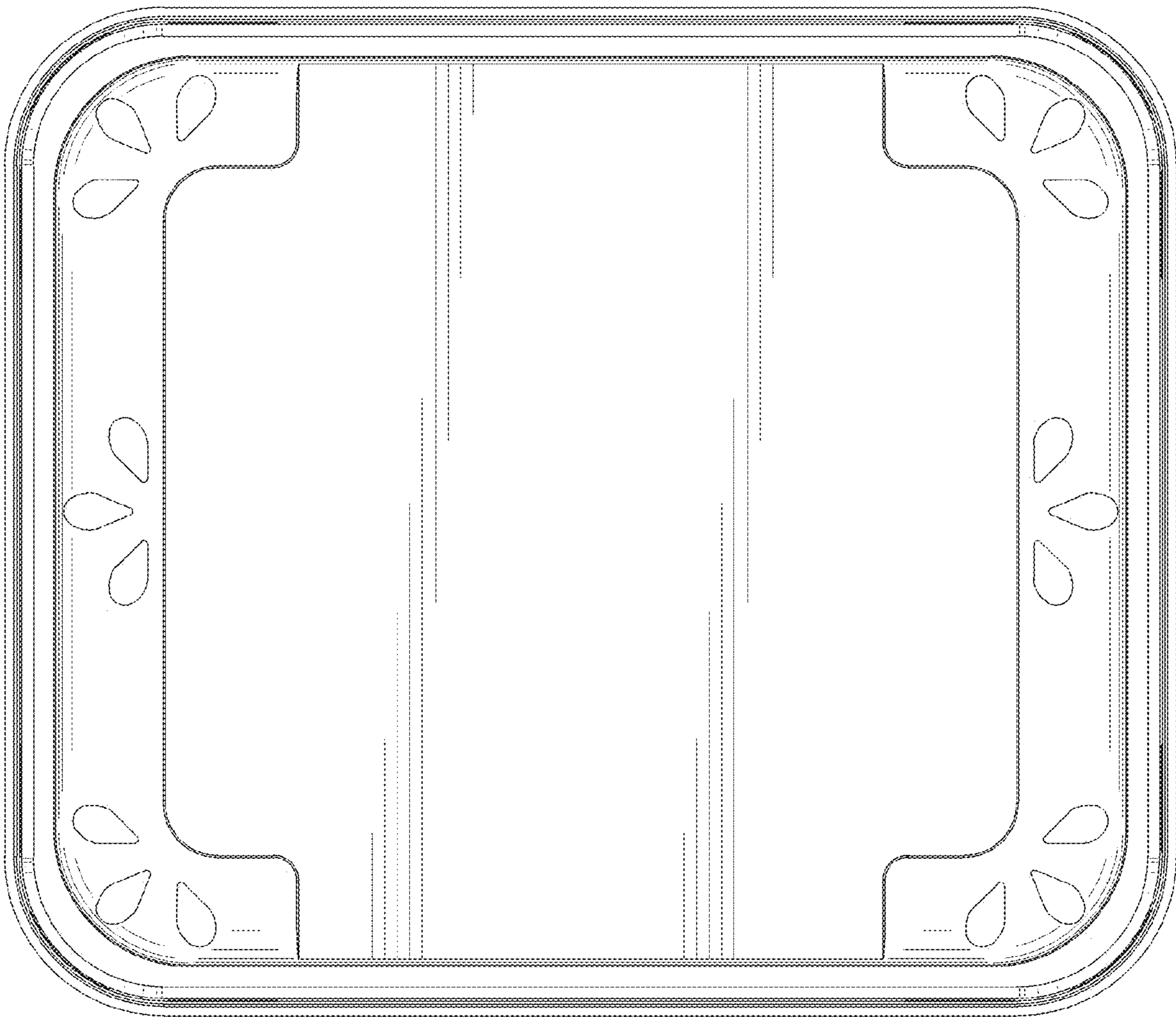


FIG. 18

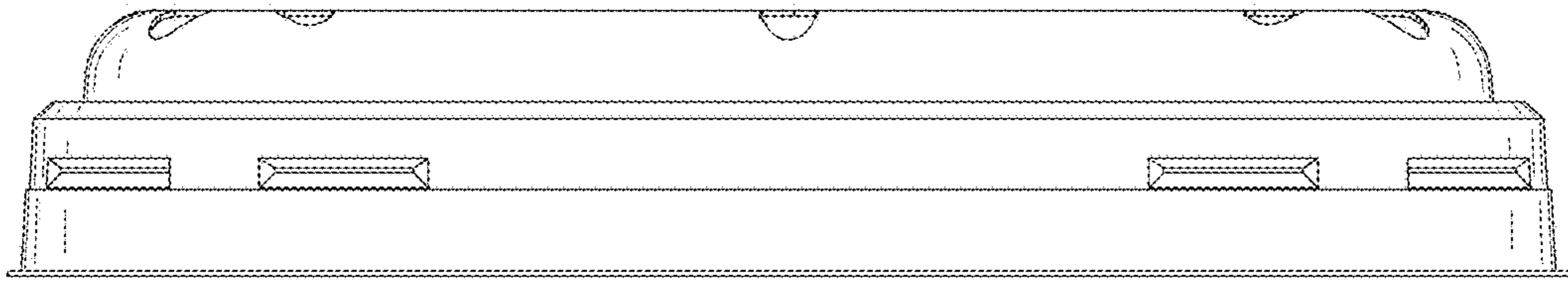


FIG. 19

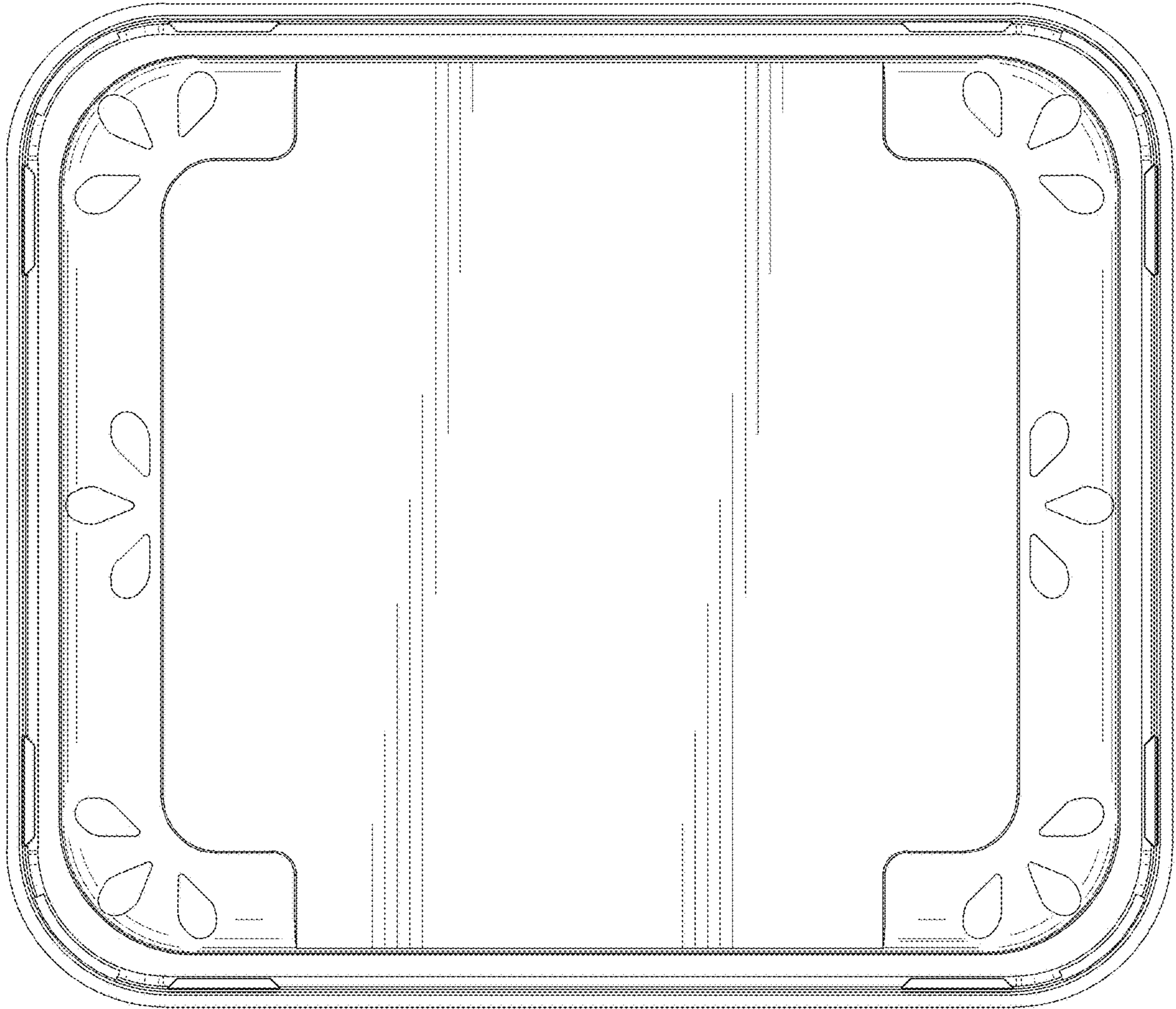


FIG. 20

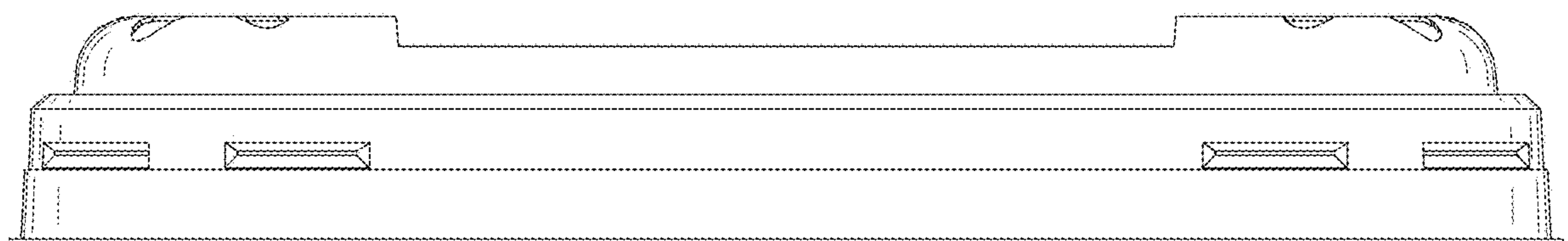


FIG. 21