



US00D929856S

(12) **United States Design Patent** (10) **Patent No.:** **US D929,856 S**
Ritter et al. (45) **Date of Patent:** **** Sep. 7, 2021**

(54) **PACIFIER BOX**

(71) Applicant: **MAPA GmbH**, Zeven (DE)

(72) Inventors: **Joana Ritter**, Berlin (DE); **Andrea Baumann**, Berlin (DE)

(73) Assignee: **MAPA GmbH**, Zeven (DE)

(**) Term: **15 Years**

(21) Appl. No.: **29/659,391**

(22) Filed: **Aug. 8, 2018**

(30) **Foreign Application Priority Data**

Feb. 8, 2018 (EM) 004702199

(51) **LOC (13) Cl.** **09-03**

(52) **U.S. Cl.**

USPC **D9/420**

(58) **Field of Classification Search**

USPC D9/414-420, 723, 519, 504, 428, 717, D9/443, 503, 518, 689, 526, 746, 662, D9/522, 646, 500, 520; D3/203.1, 273, D3/263, 302, 294; D7/602, 703, 542, D7/538, 317; D21/398; D28/59, 85; D24/217, 194; D15/199; D20/37; D11/128, 164; D26/11; D32/1

CPC .. B65D 1/0223; D04B 3/06; A61J 1/03; A61J 17/113

See application file for complete search history.

(56) **References Cited**

U.S. PATENT DOCUMENTS

D255,988 S * 7/1980 Mascia D9/518

D281,398 S * 11/1985 Kesselring D9/414

D323,615 S * 2/1992 Carlstrom D9/746

D333,784 S * 3/1993 Goodman D3/302

D362,929 S * 10/1995 Strong D32/1

D401,887 S * 12/1998 Yang D11/164

D406,368 S * 3/1999 Joergensen D26/11

D452,373 S * 12/2001 Hortrich A61J 17/113

D484,810 S * 1/2004 Rosen B65D 1/0223

D502,807 S * 3/2005 Jaron D3/273

D529,397 S * 10/2006 Lavigne D9/689

D530,911 S * 10/2006 Guitay D3/273

D568,086 S * 5/2008 Brown D7/317

D581,540 S * 11/2008 Nielsen D24/194

D588,007 S * 3/2009 Limongi D9/443

D601,383 S * 10/2009 Shah D7/538

D613,607 S * 4/2010 Yokota D9/522

D661,160 S * 6/2012 Shah D7/538

D671,367 S * 11/2012 Shah D7/542

D686,743 S * 7/2013 Gooch D24/217

D689,618 S * 9/2013 Valderrama D24/194

D704,349 S * 5/2014 Williams D24/217

D718,148 S * 11/2014 Marret D9/717

D723,416 S * 3/2015 Geren D11/128

D727,742 S * 4/2015 Jacobs D9/662

D731,301 S * 6/2015 Recht D9/415

(Continued)

Primary Examiner — Rhea Shields

(57) **CLAIM**

The ornamental design for a pacifier box, as shown and described.

DESCRIPTION

FIG. 1 is a perspective view of pacifier box, showing our design;

FIG. 2 is a front view thereof;

FIG. 3 is a right view thereof;

FIG. 4 is a left view thereof;

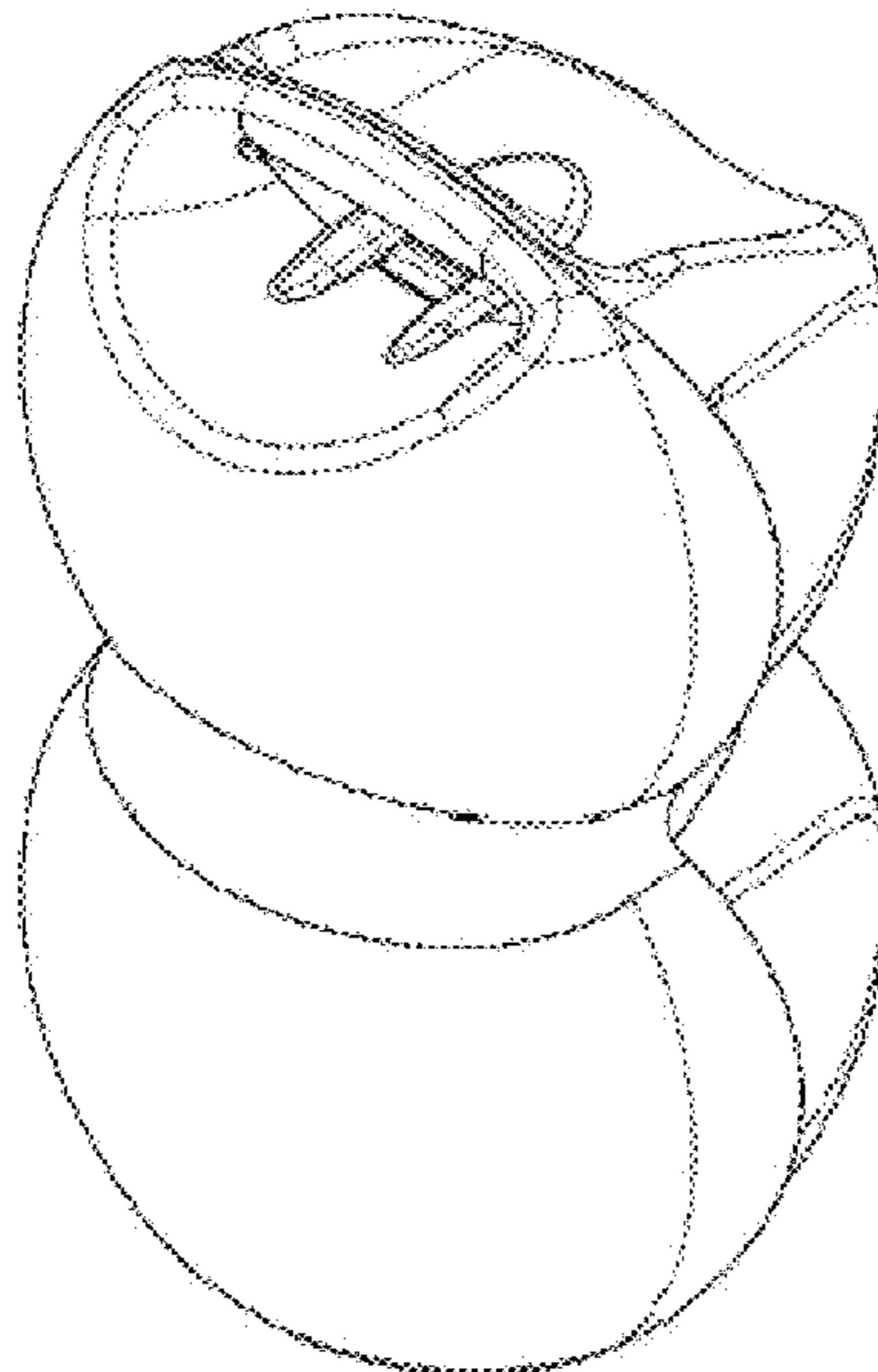
FIG. 5 is a top view thereof;

FIG. 6 is a bottom view thereof; and,

FIG. 7 is a back view thereof.

The broken lines in the drawings depict portions of the pacifier box which form no part of the claimed design.

1 Claim, 7 Drawing Sheets



(56)

References Cited

U.S. PATENT DOCUMENTS

D735,415 S * 7/2015 Thompson D28/85
D791,587 S * 7/2017 Buck D9/428
D803,060 S * 11/2017 Marina D9/504
D814,301 S * 4/2018 Weinrich D9/503
D819,748 S * 6/2018 Luk D21/398
D820,914 S * 6/2018 Sitnic D20/37
D822,490 S * 7/2018 Ruleman, Jr. D9/500
D832,326 S * 10/2018 Lee D15/199
D840,822 S * 2/2019 Kimai D9/504
D842,110 S * 3/2019 Marina D9/504
D852,054 S * 6/2019 Seduikis D9/646
D858,097 S * 9/2019 Natsume D3/263
10,407,806 B2 * 9/2019 Sullivan D04B 3/06
D864,727 S * 10/2019 Lehaneur D9/526
D868,992 S * 12/2019 Ma D24/217
D872,370 S * 1/2020 Khubani D28/59
D876,818 S * 3/2020 Lieberman D3/203.1
D889,972 S * 7/2020 Hesse D9/519
D891,938 S * 8/2020 Weinrich D9/723
2018/0256448 A1 * 9/2018 Hesse A61J 1/03

* cited by examiner

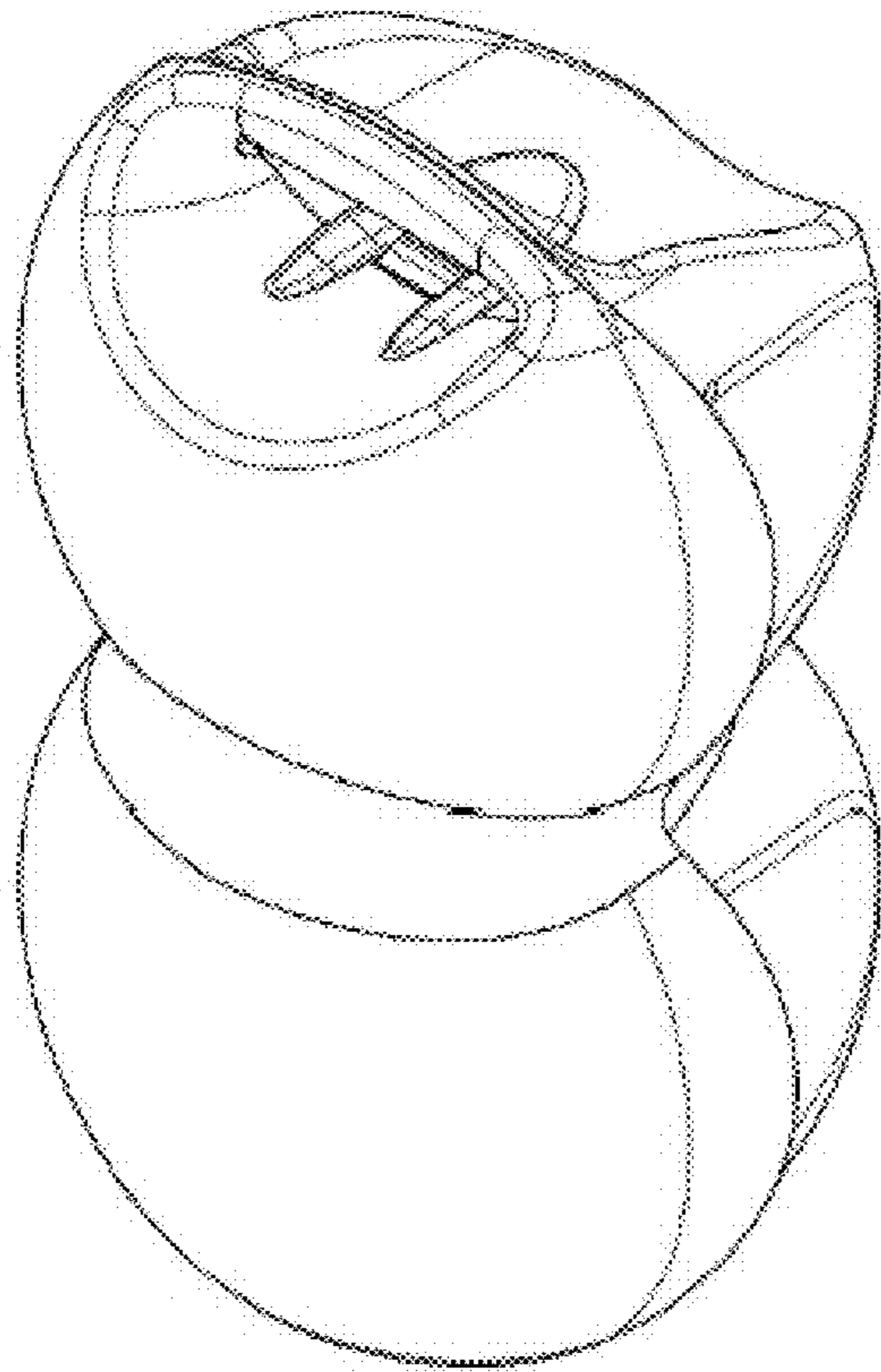


FIG. 1

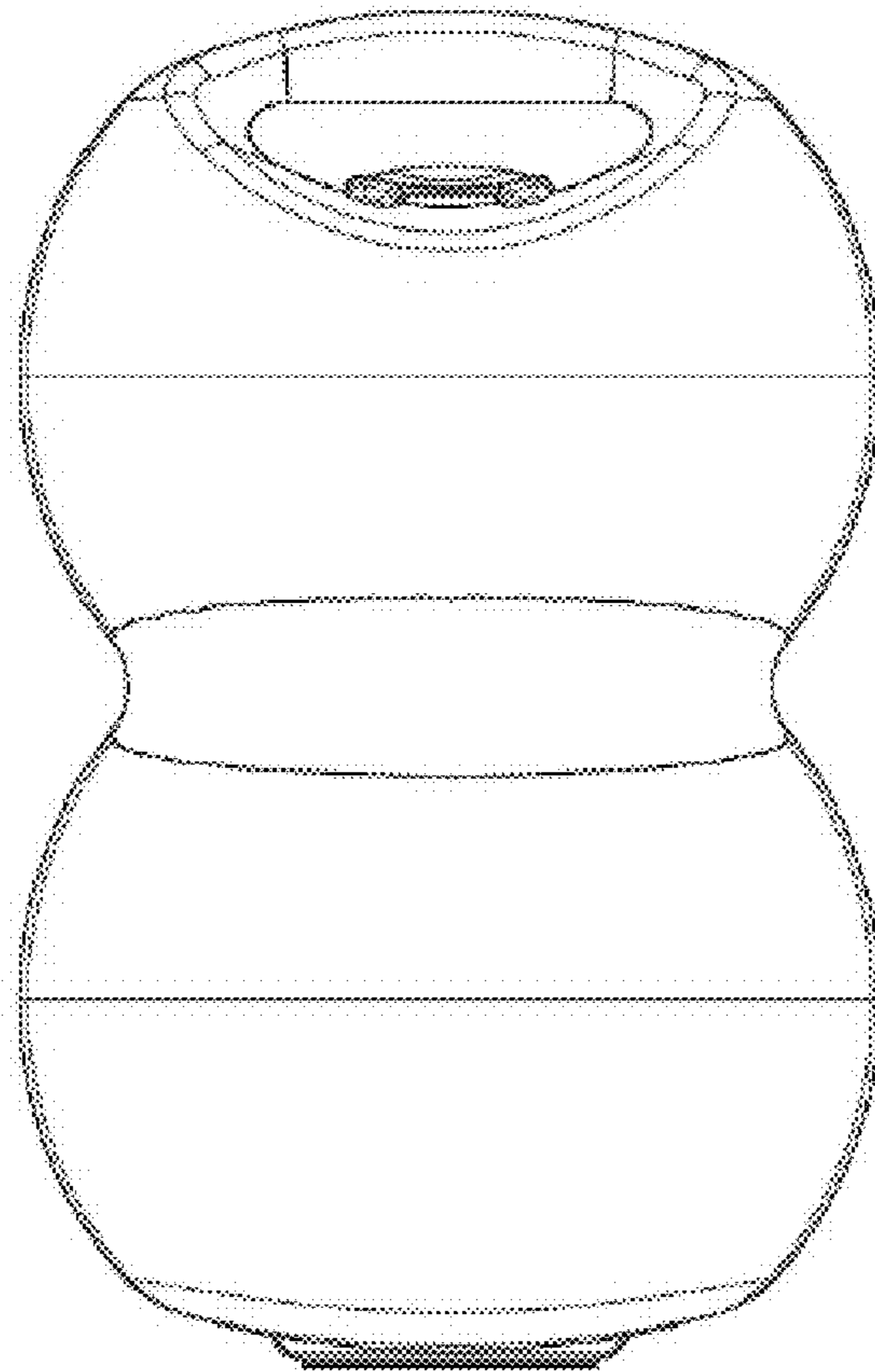


FIG. 2

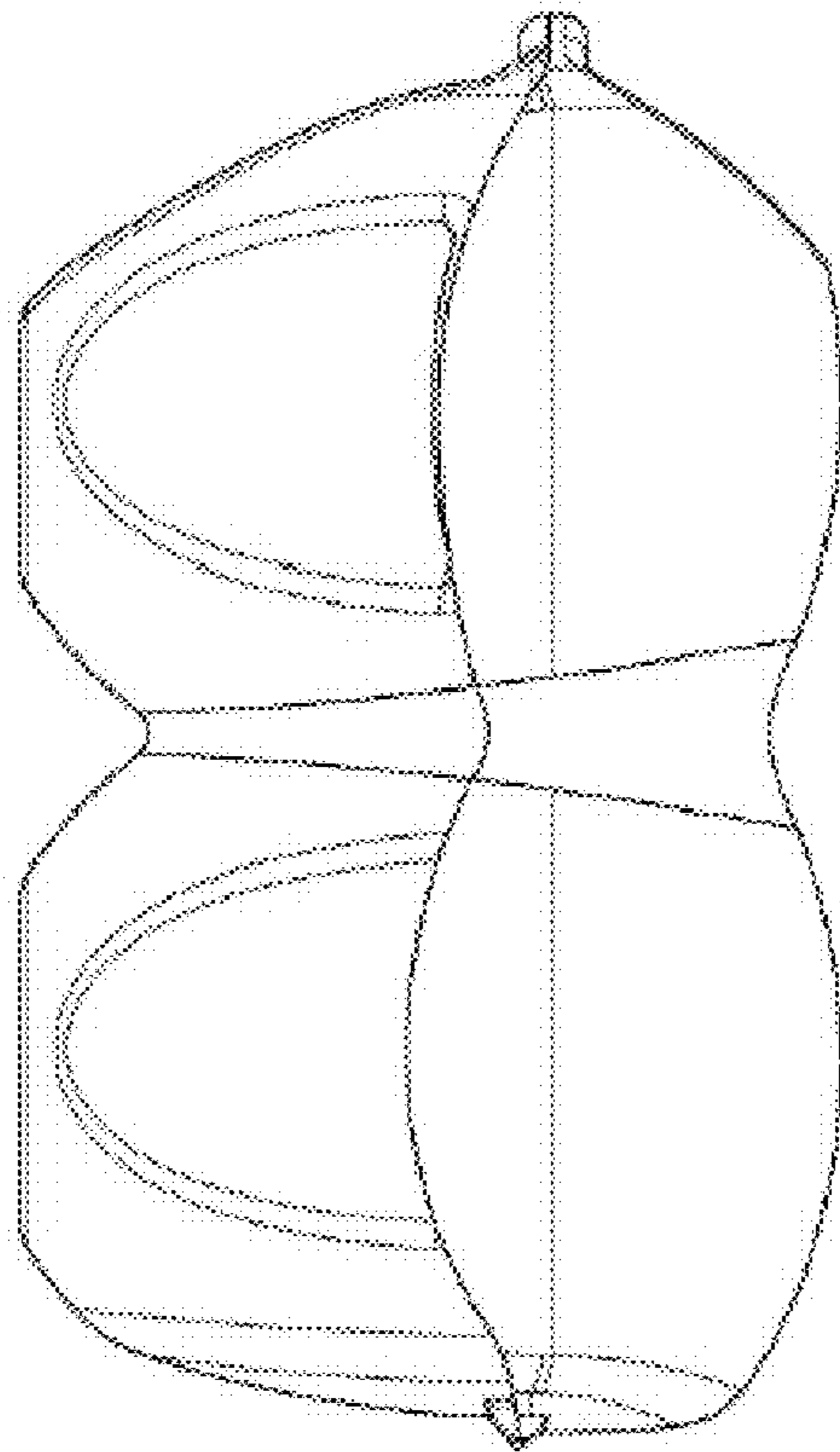


FIG. 3

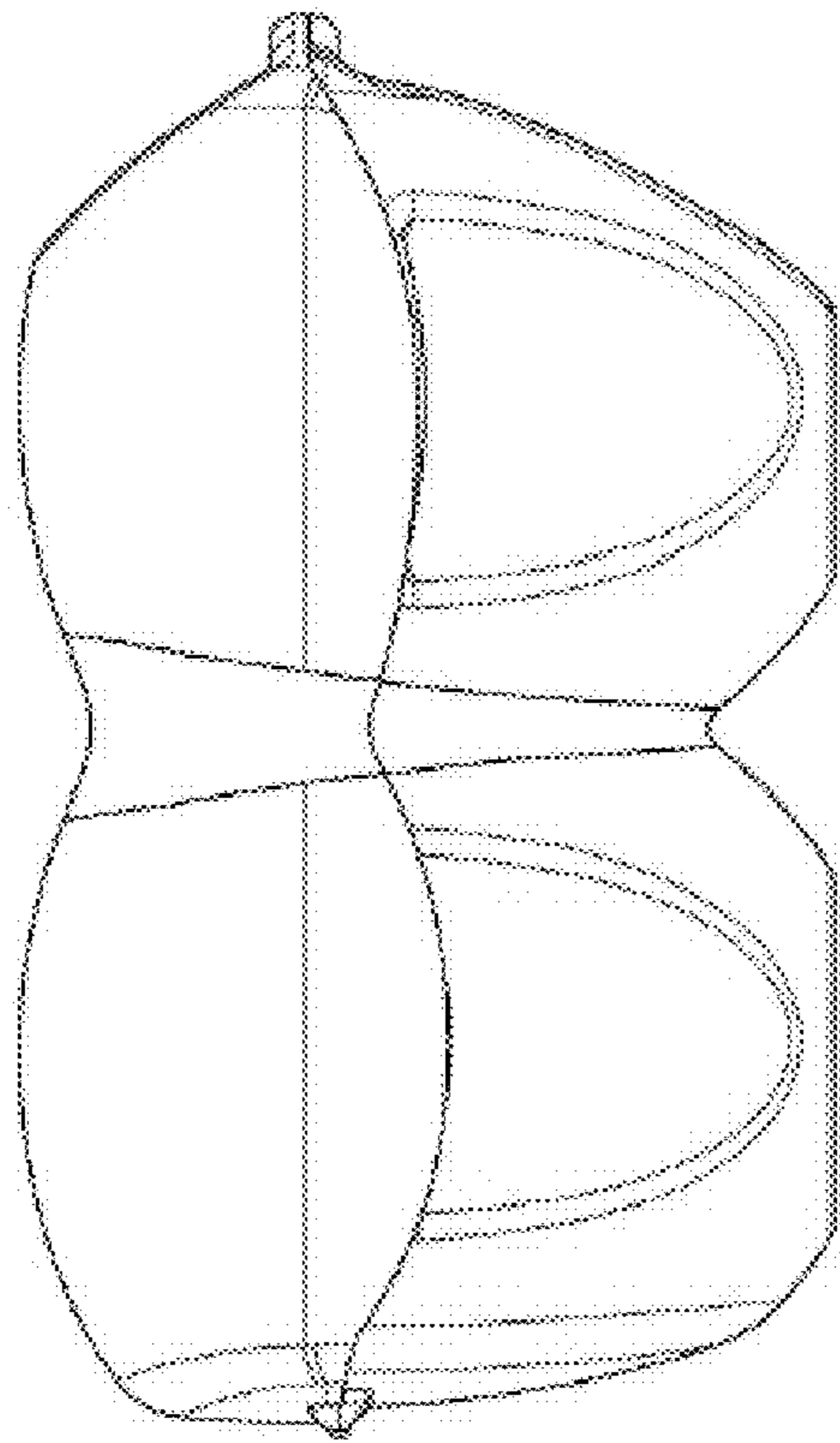


FIG. 4

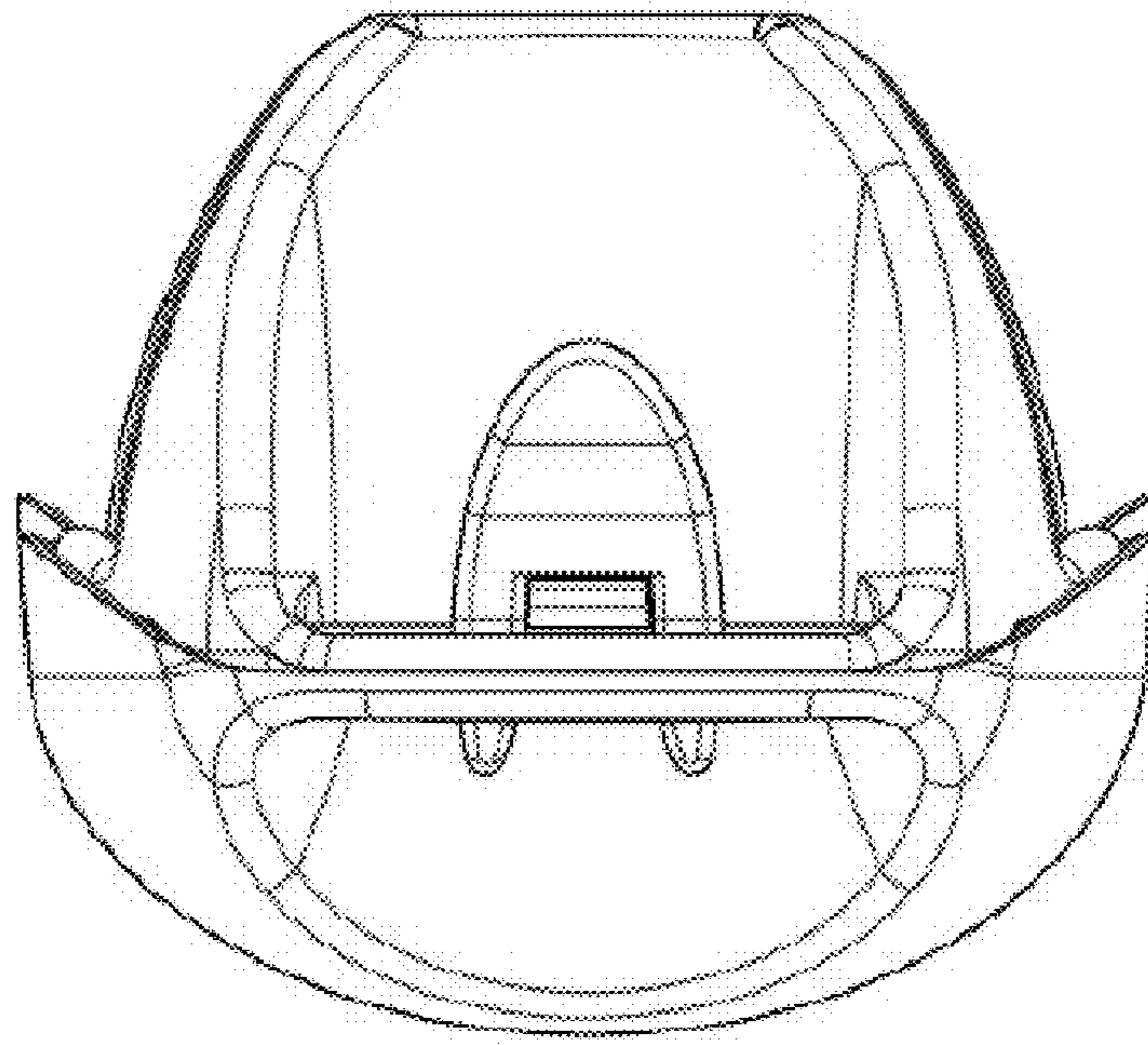


FIG. 5

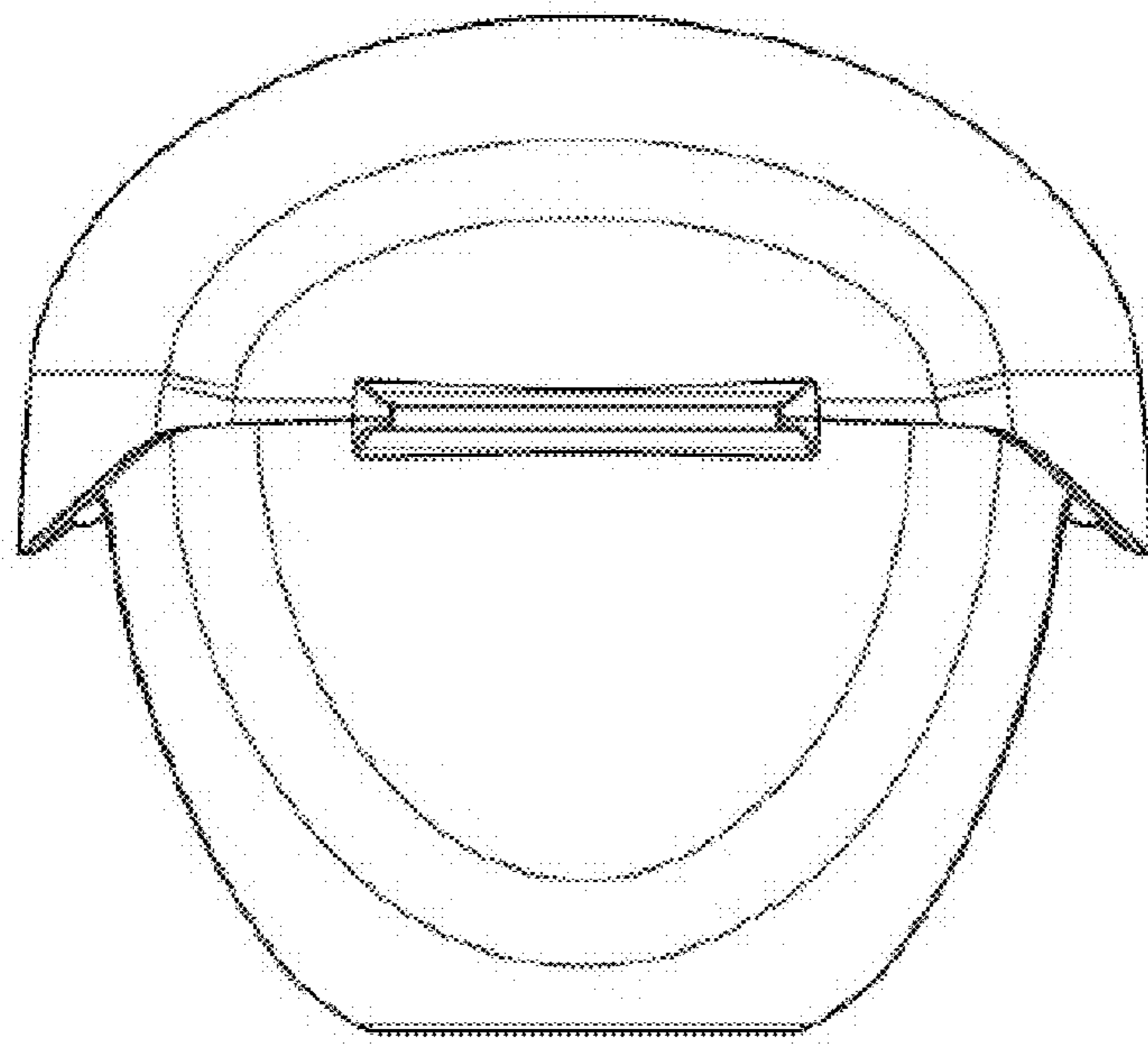


FIG. 6

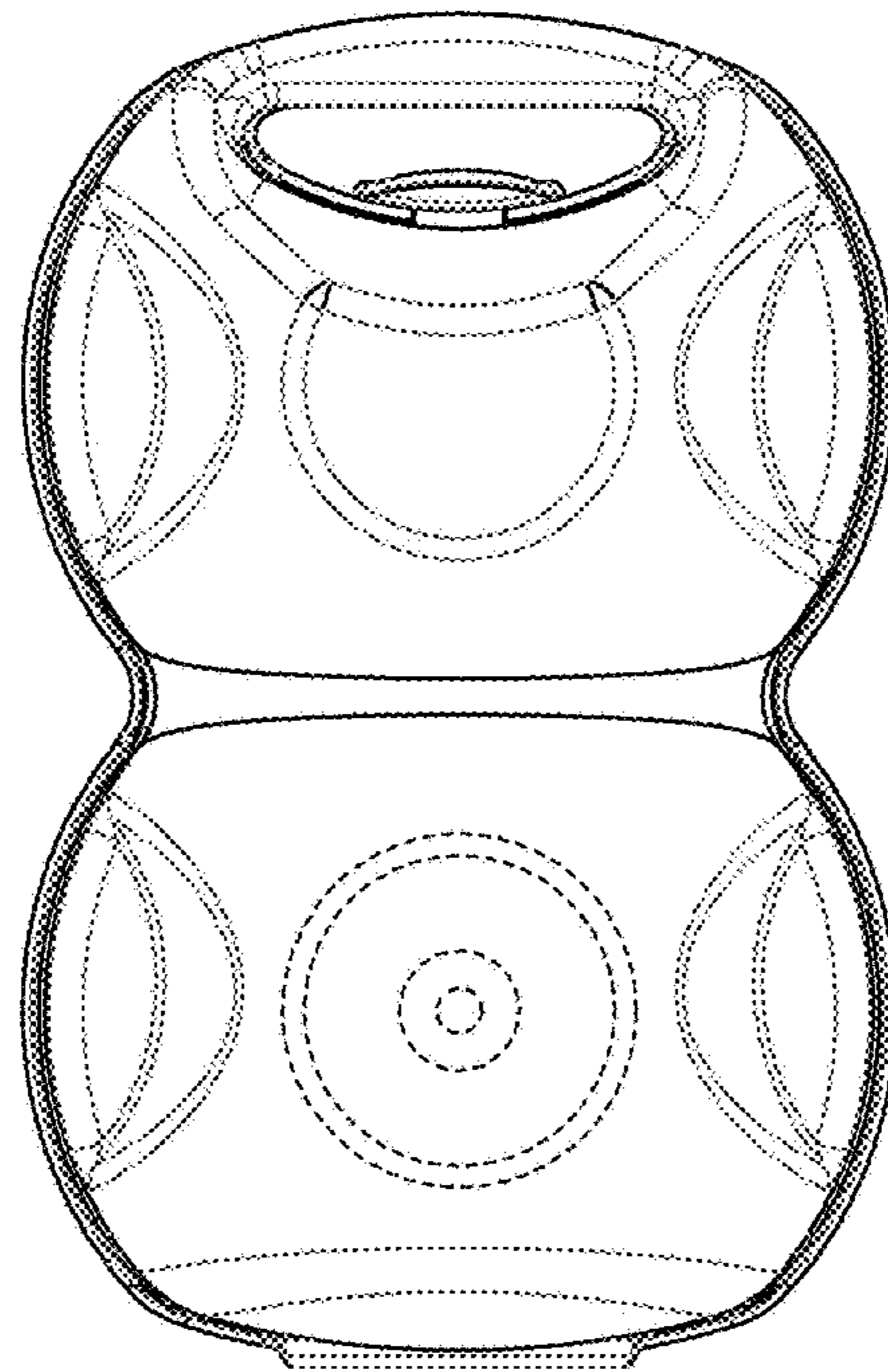


FIG. 7