



US00D929855S

(12) **United States Design Patent** (10) **Patent No.:** **US D929,855 S**
Kovacs et al. (45) **Date of Patent:** **** Sep. 7, 2021**

(54) **LOW PROFILE MOUNTING BRACKET FOR STRUCTURE**

(71) Applicant: **PMC Industries, Inc.**, Plainville, CT (US)

(72) Inventors: **Tamas Kovacs**, Burlington, CT (US);
Robert Mercier, Newington, CT (US)

(73) Assignee: **PMC INDUSTRIES, INC.**, Plainville, CT (US)

(**) Term: **15 Years**

(21) Appl. No.: **29/698,411**

(22) Filed: **Jul. 16, 2019**

(51) **LOC (13) Cl.** **08-05**

(52) **U.S. Cl.**
USPC **D8/380**

(58) **Field of Classification Search**
USPC D8/380, 499, 354, 349, 364, 382, 394,
D8/395; D25/119–121, 123–125,
D25/131–137, 164, 199, 113–118
CPC E04H 2004/146; E04H 2004/147; E06B
1/32; E06B 1/34; E06B 1/524; E06B
2003/7049; E04B 2005/176; E04B
2005/324; E04D 13/0641; E04D 13/064;
E04D 13/0725

See application file for complete search history.

(56) **References Cited**

U.S. PATENT DOCUMENTS

D475,613 S * 6/2003 Mullane D8/499
D536,243 S * 2/2007 McNichol D8/499
D547,163 S * 7/2007 Xayoiphonh D8/363
D547,164 S * 7/2007 Xayoiphonh D8/363
D572,841 S * 7/2008 Waters D25/124
D667,296 S * 9/2012 Eichner D8/380
D713,947 S * 9/2014 Jensen D23/366
D735,023 S * 7/2015 Baldwin D8/380

D735,566 S * 8/2015 Wu D8/380
D758,834 S * 6/2016 Tally D8/380
D831,571 S * 10/2018 Eberts H01H 71/08
D13/119
D835,980 S * 12/2018 Kovacs D8/499
D836,553 S * 12/2018 Yamamoto D13/119
D836,554 S * 12/2018 Yamamoto D13/119
D871,188 S * 12/2019 Kovacs D8/99
D883,774 S * 5/2020 Comalander D8/380
D902,701 S * 11/2020 Smith D8/366

(Continued)

FOREIGN PATENT DOCUMENTS

KR 300626076 * 12/2011
KR 301063028 * 6/2020

Primary Examiner — Susan Bennett Hattan

Assistant Examiner — Elizabeth S Ko

(74) *Attorney, Agent, or Firm* — Damian Wasserbauer,
Esq.; Wasserbauer Law LLC

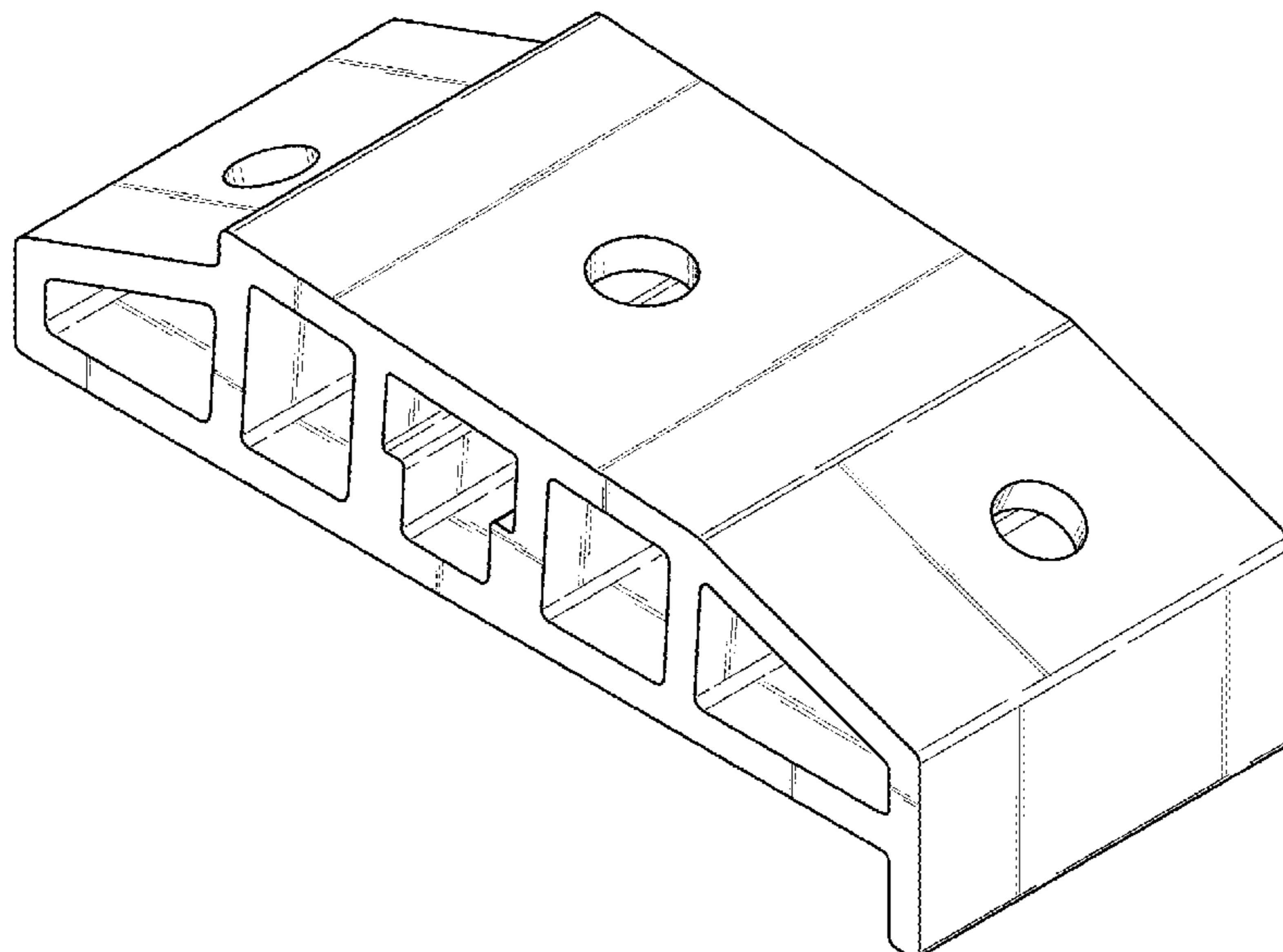
(57) **CLAIM**

The ornamental design for a low profile mounting bracket for structure, as shown and described.

DESCRIPTION

FIG. 1 is a perspective of the low profile mounting bracket for structure in accordance with the present invention; FIG. 2 is a back view of the low profile mounting bracket for structure; FIG. 3 is a front view of the low profile mounting bracket for structure; FIG. 4 is a right side view of the low profile mounting bracket for structure, the left side being a mirror image thereof; FIG. 5 is a top view of the low profile mounting bracket for structure; and, FIG. 6 is a bottom view of the low profile mounting bracket for structure.

1 Claim, 6 Drawing Sheets



(56)

References Cited

U.S. PATENT DOCUMENTS

D902,702 S * 11/2020 Smith D8/366
D904,861 S * 12/2020 McWilliams D8/354
2016/0025262 A1* 1/2016 Stearns H01Q 1/1207
248/70
2016/0123016 A1* 5/2016 Hudson E04D 13/10
52/24

* cited by examiner

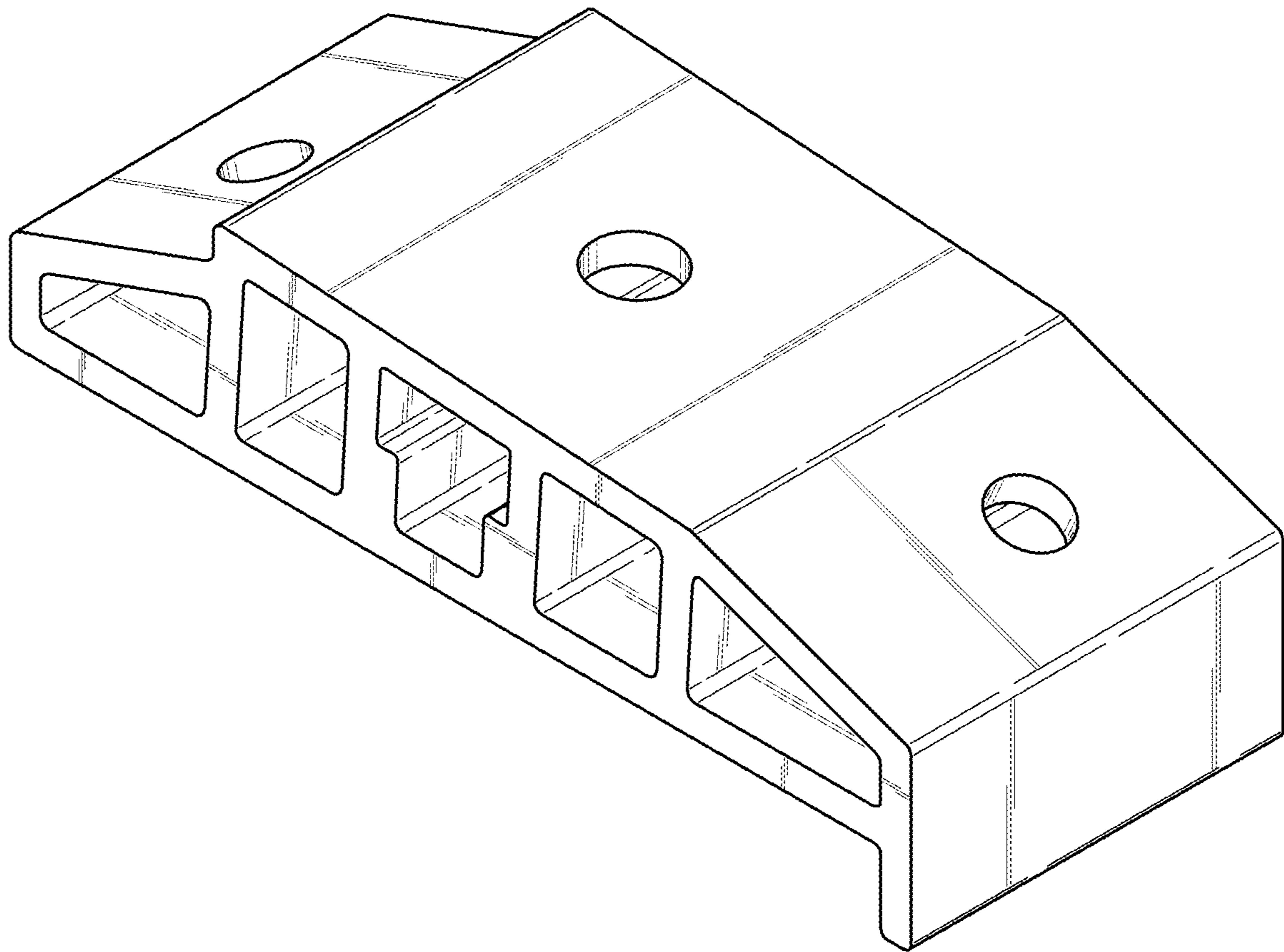


FIG. 1

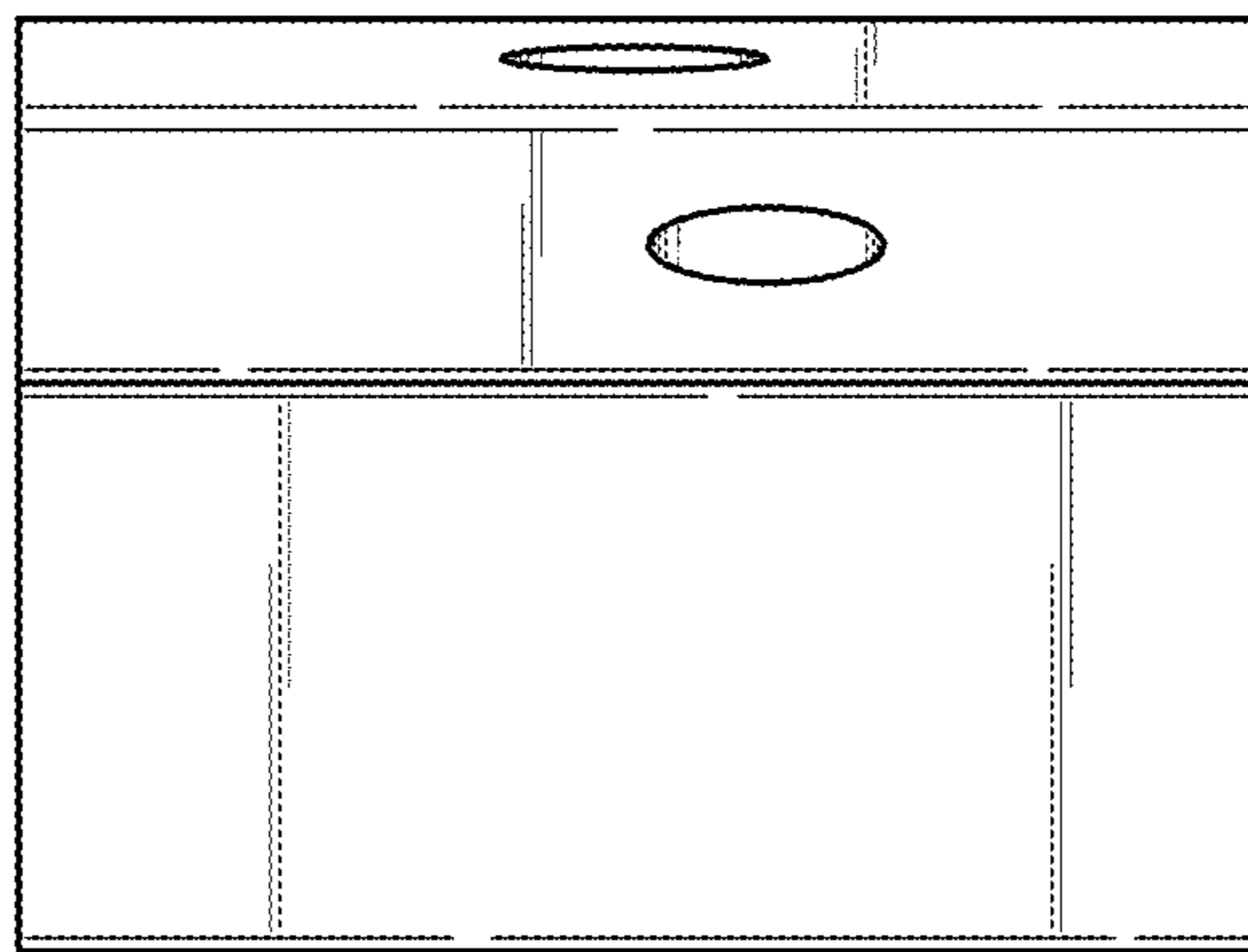


FIG. 2

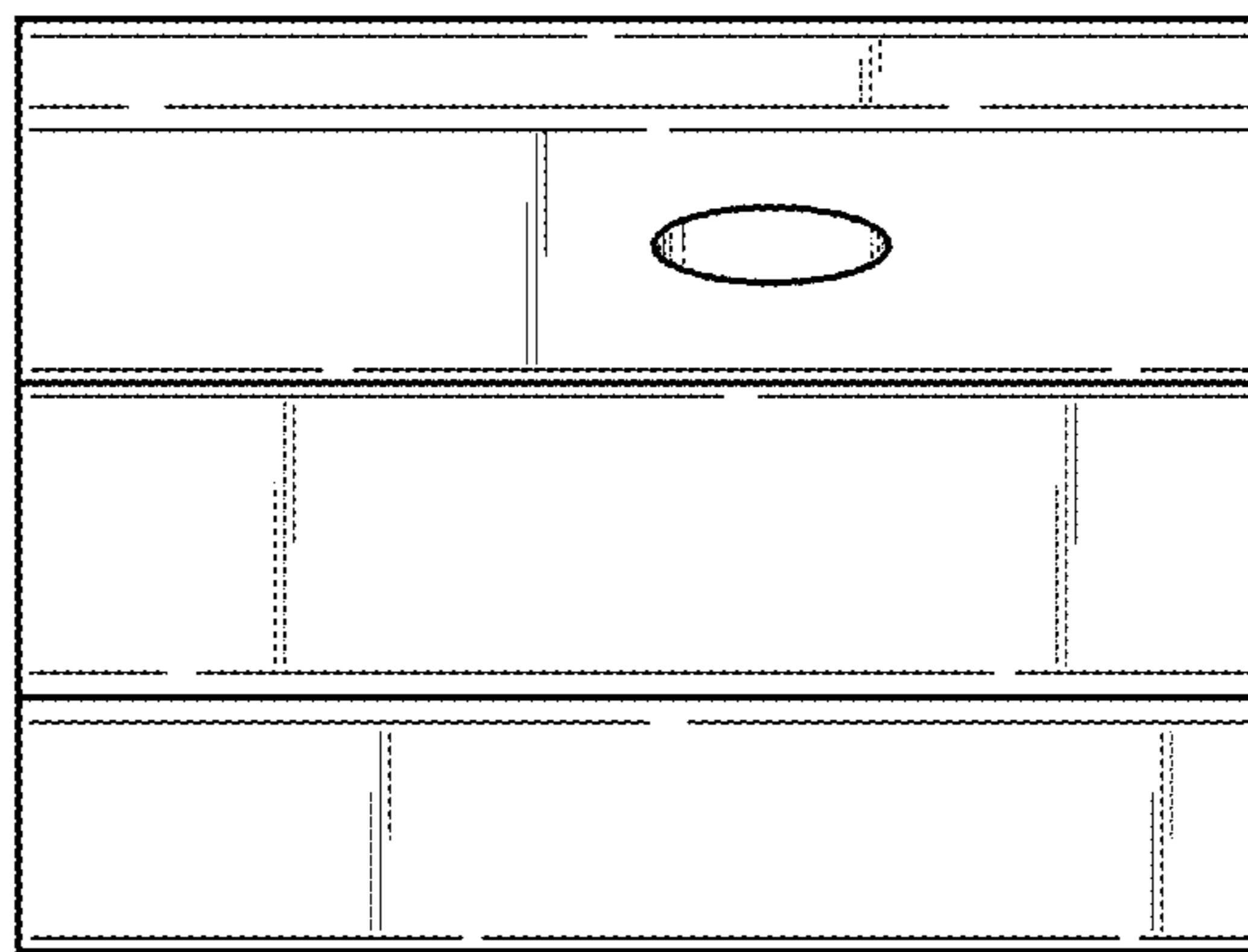


FIG. 3

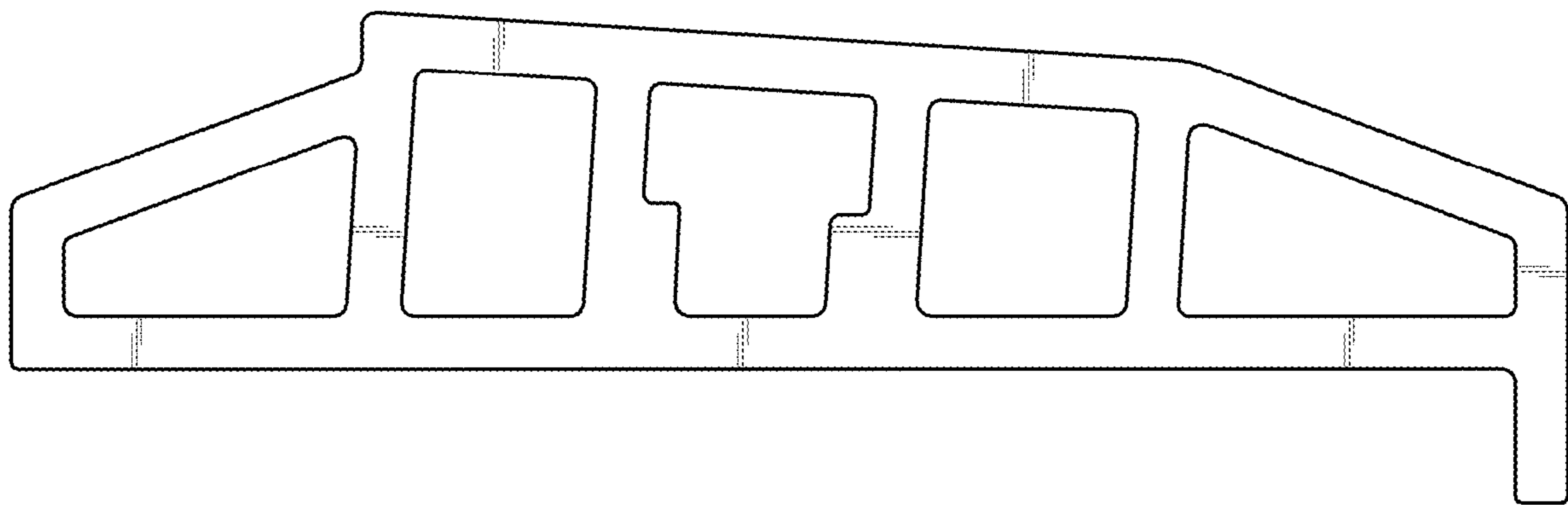


FIG. 4

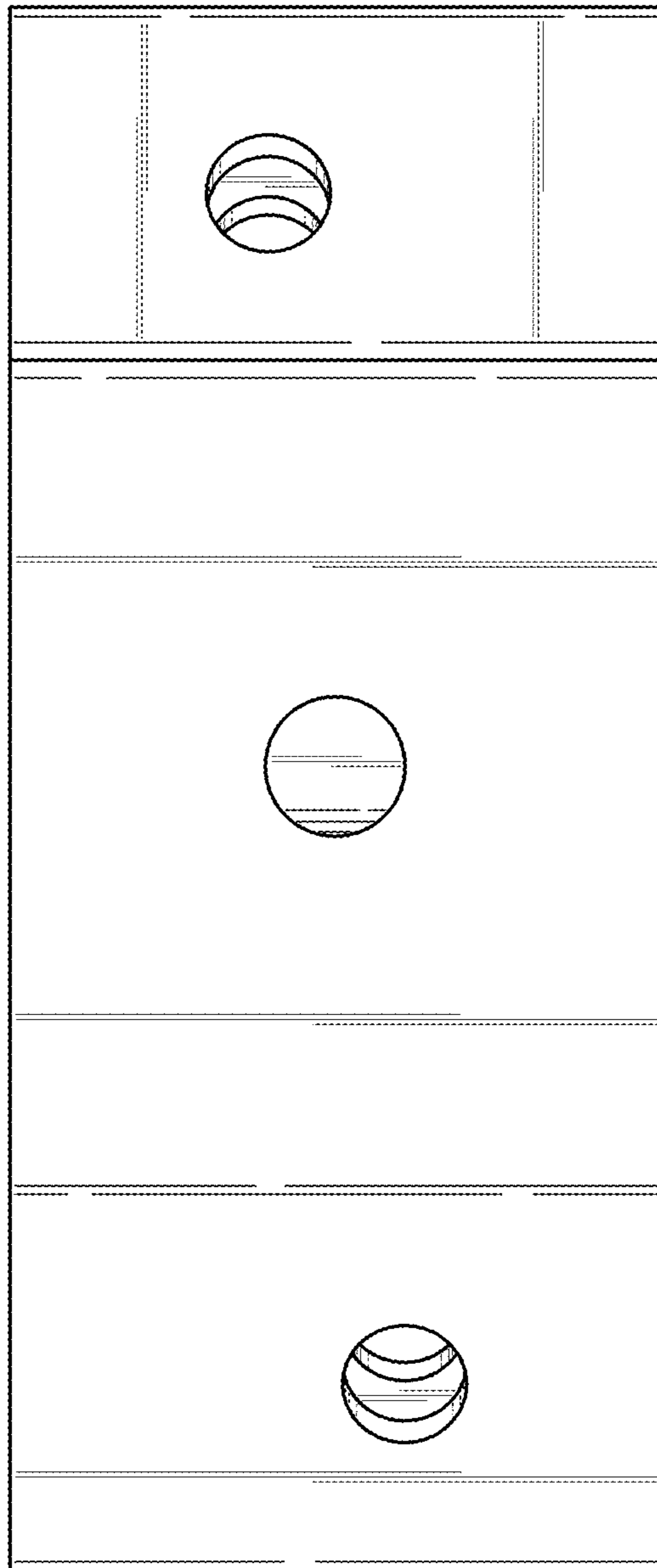


FIG. 5

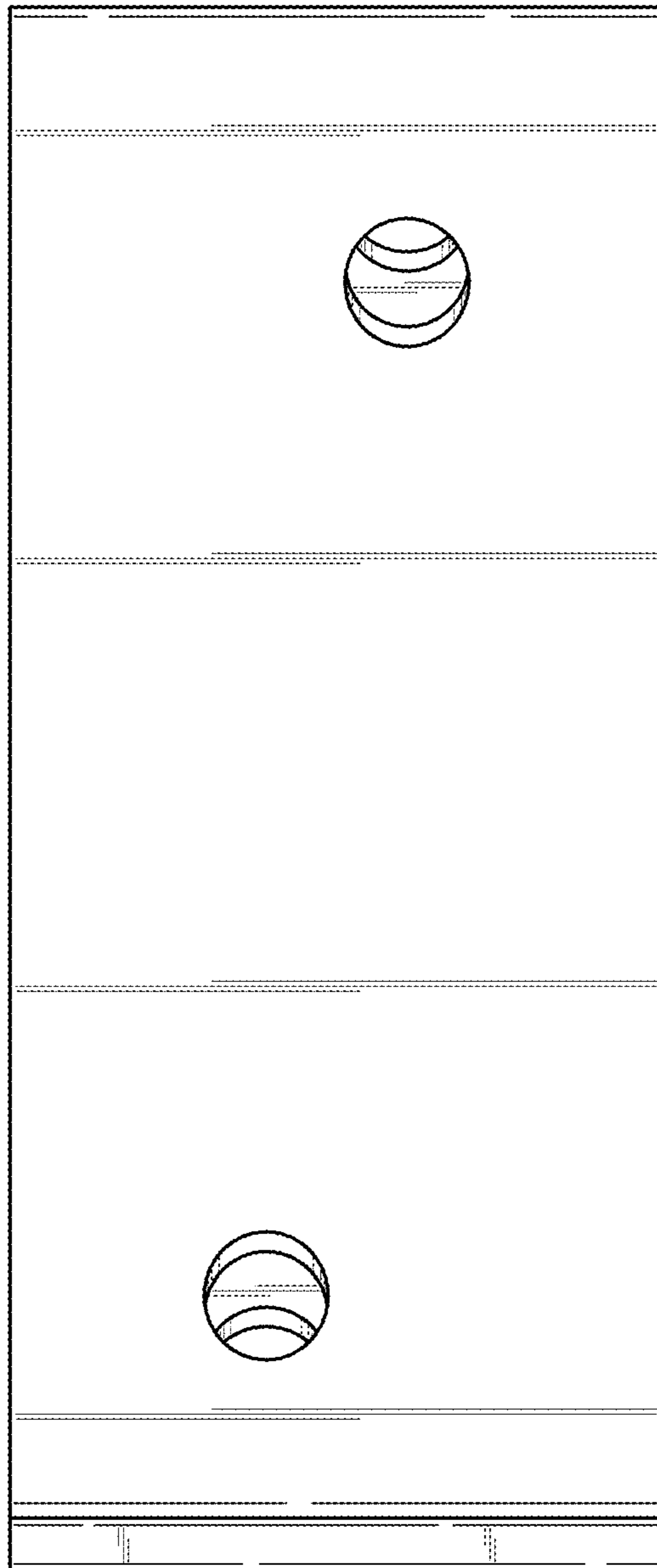


FIG. 6