

US00D929854S

(12) **United States Design Patent**
Pitt

(10) **Patent No.:** **US D929,854 S**

(45) **Date of Patent:** **** Sep. 7, 2021**

- (54) **NUT**
- (71) Applicant: **ILLINOIS TOOL WORKS INC.**,
Glenview, IL (US)
- (72) Inventor: **Clinton Pitt**, Portland, TN (US)
- (73) Assignee: **Illinois Tool Works Inc.**, Glenview, IL
(US)
- (**) Term: **15 Years**
- (21) Appl. No.: **29/710,084**
- (22) Filed: **Oct. 21, 2019**
- (51) **LOC (13) Cl.** **08-05**
- (52) **U.S. Cl.**
USPC **D8/367**
- (58) **Field of Classification Search**
USPC D8/367, 354, 349, 372, 397; D6/323,
D6/601; 248/301-304, 339; 297/188.03;
411/173, 175, 107, 970, 174; 204/304
CPC A47G 1/17; A47G 1/22; A47G 25/0607
See application file for complete search history.

- D593,757 S * 6/2009 Barker D6/315
- D792,922 S * 7/2017 Benson D17/22
- D802,402 S * 11/2017 Hintze D8/367
- D822,464 S * 7/2018 Kwiatkowski D8/367
- 10,197,217 B2 * 2/2019 Will A47G 1/1633
- D878,186 S * 3/2020 Toye D8/370
- D899,234 S * 10/2020 Chen D8/367

(Continued)

FOREIGN PATENT DOCUMENTS

EP 1336763 A2 8/2003

OTHER PUBLICATIONS

Search Report, related EP Application No. 20197921.8, dated Mar. 4, 2021, 8 pages.

Primary Examiner — Cynthia R Underwood

(74) *Attorney, Agent, or Firm* — Quarles & Brady LLP

(57) **CLAIM**

The ornamental design for a nut, as shown and described.

DESCRIPTION

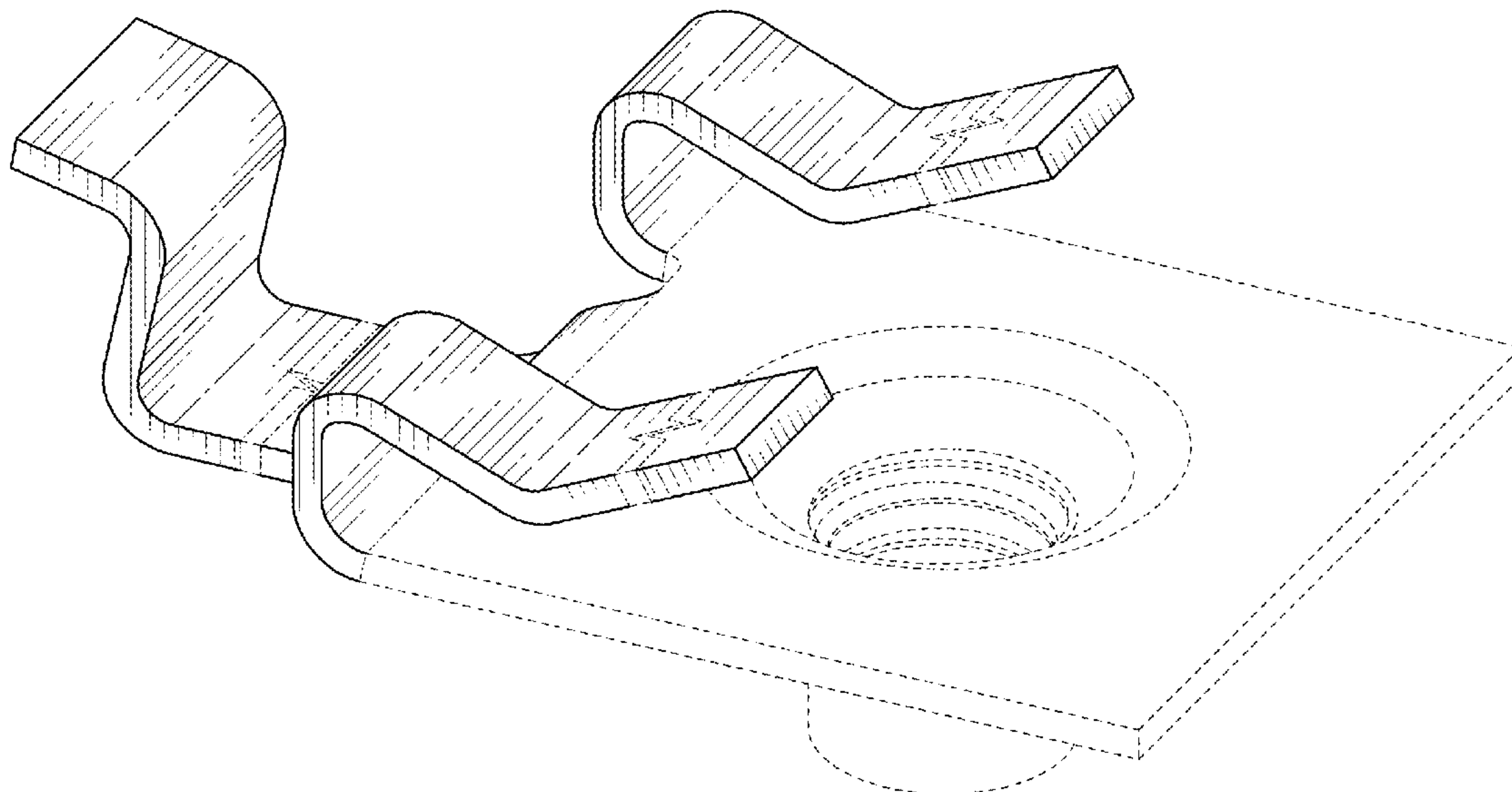
FIG. 1 is an isometric view of a top, front, and right side of an ornamental design for a nut;
FIG. 2 is a front elevational view of the nut of FIG. 1;
FIG. 3 is a rear elevational view of the nut of FIG. 1;
FIG. 4 is a right side elevational view of the nut of FIG. 1;
FIG. 5 is a left side elevational view of the nut of FIG. 1;
FIG. 6 is a top plan view of the nut of FIG. 1; and
FIG. 7 is a bottom plan view of the nut of FIG. 1.

The dash-dash-dash broken lines depict portions of the nut and form no part of the claimed design. The dash-dot-dash lines depict boundary lines and form no part of the claimed design. The nut is shown with symbolic breaks. The appearance of any portion of the article between the break lines forms no part of the claimed design.

1 Claim, 6 Drawing Sheets

(56) **References Cited**
U.S. PATENT DOCUMENTS

- 2,781,073 A 2/1957 Trafton
- 3,229,743 A 1/1966 Derby
- 3,450,317 A * 6/1969 Ramer A45F 5/02
224/242
- D264,789 S * 6/1982 Zyla D6/315
- D296,046 S * 6/1988 Marshall D6/315
- 4,823,962 A * 4/1989 Arias A47G 25/005
211/113
- 4,880,200 A * 11/1989 Champagne E06C 1/36
248/547
- 5,248,072 A * 9/1993 Jones A45F 5/14
224/247
- 5,413,301 A * 5/1995 Cadman B65D 73/0071
211/113
- D533,362 S * 12/2006 Giampavolo D6/328



(56)

References Cited

U.S. PATENT DOCUMENTS

D904,865 S * 12/2020 Buczynski D8/397
D913,499 S * 3/2021 Hwang D24/167
2005/0144763 A1 7/2005 Boville
2005/0220563 A1 10/2005 Kosidlo, IV et al.
2011/0107714 A1* 5/2011 Kodi E04C 5/163
52/686
2015/0122856 A1* 5/2015 Pecotte A45F 5/00
224/268

* cited by examiner

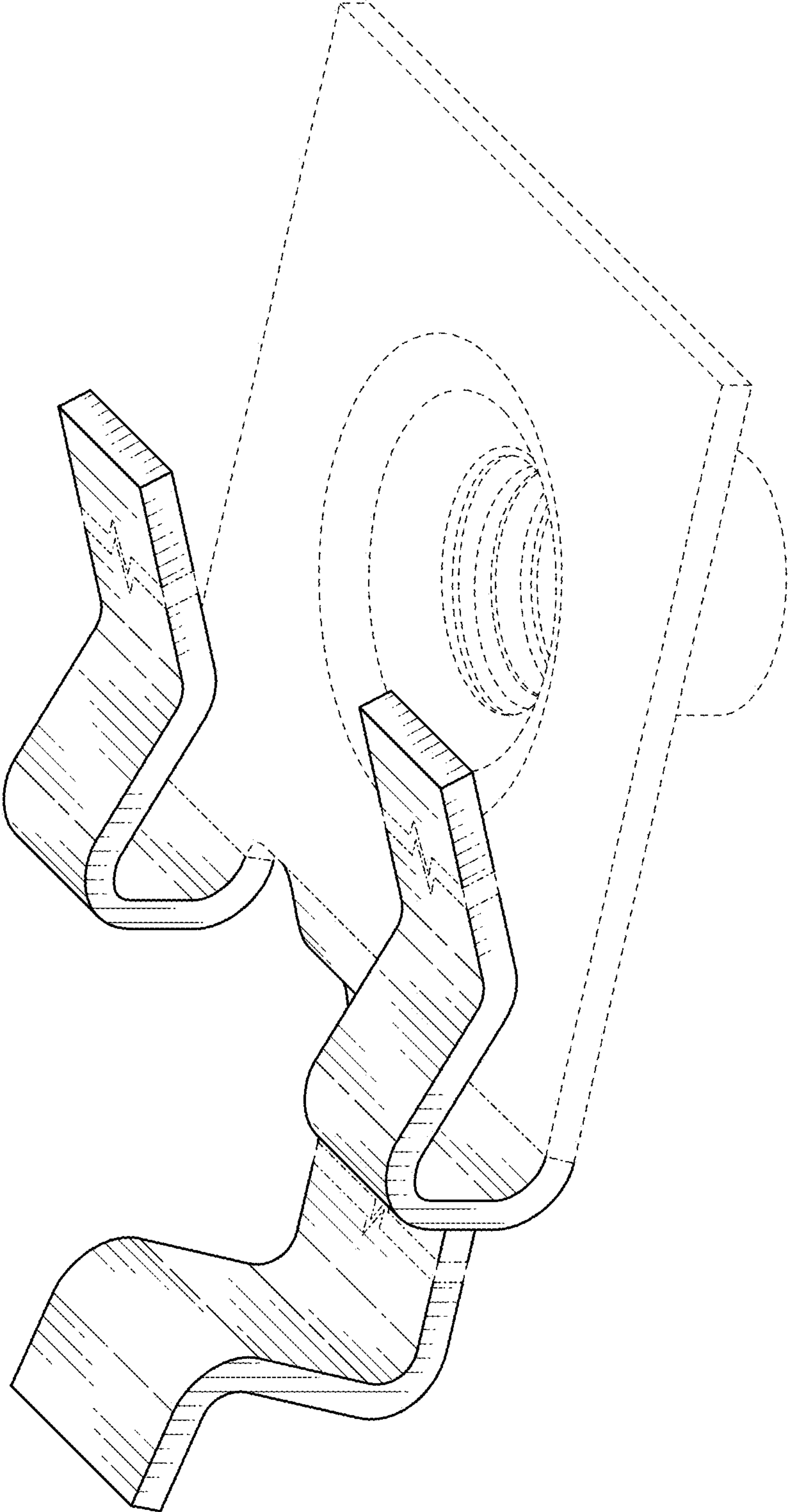


FIG. 1

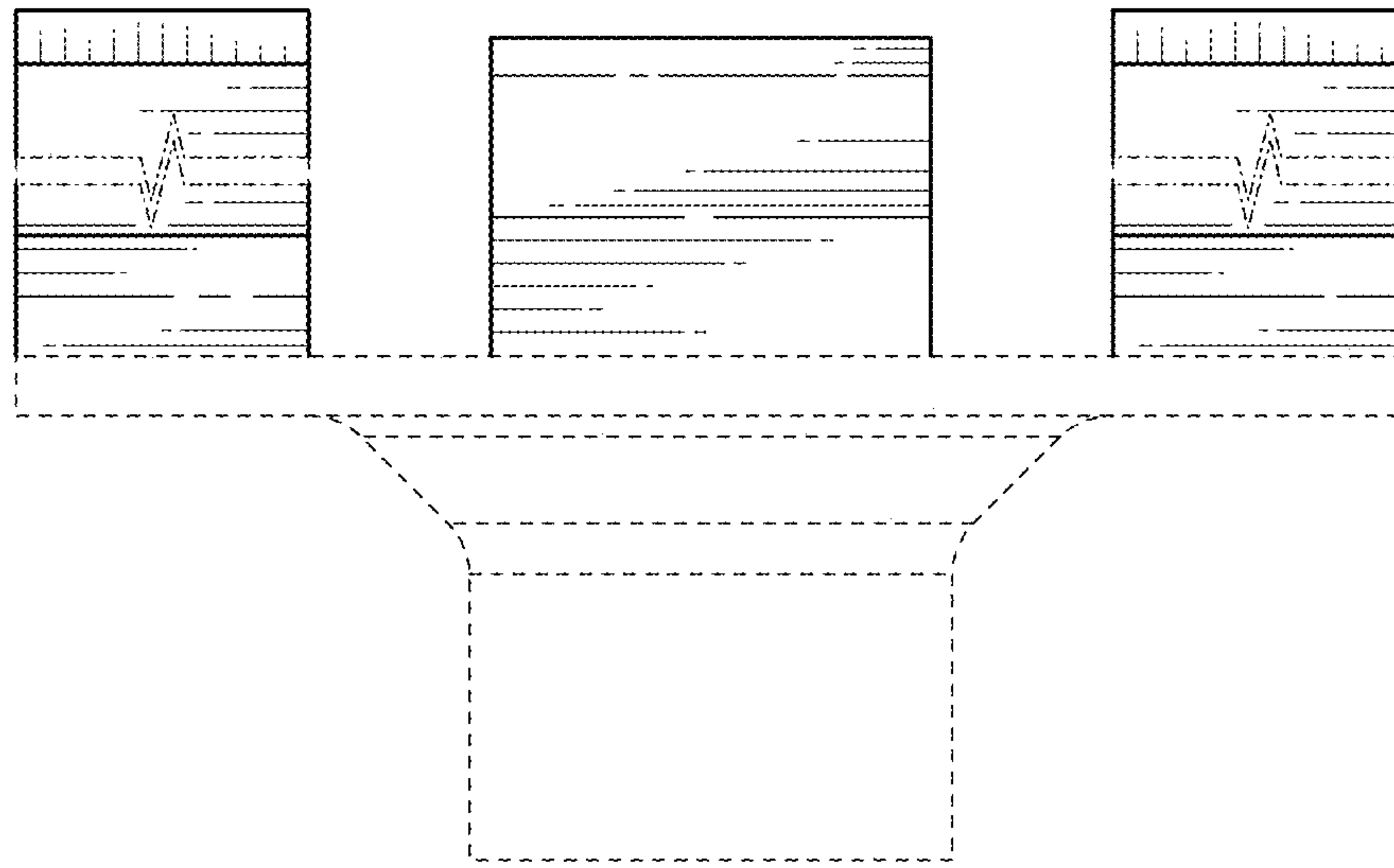


FIG. 2

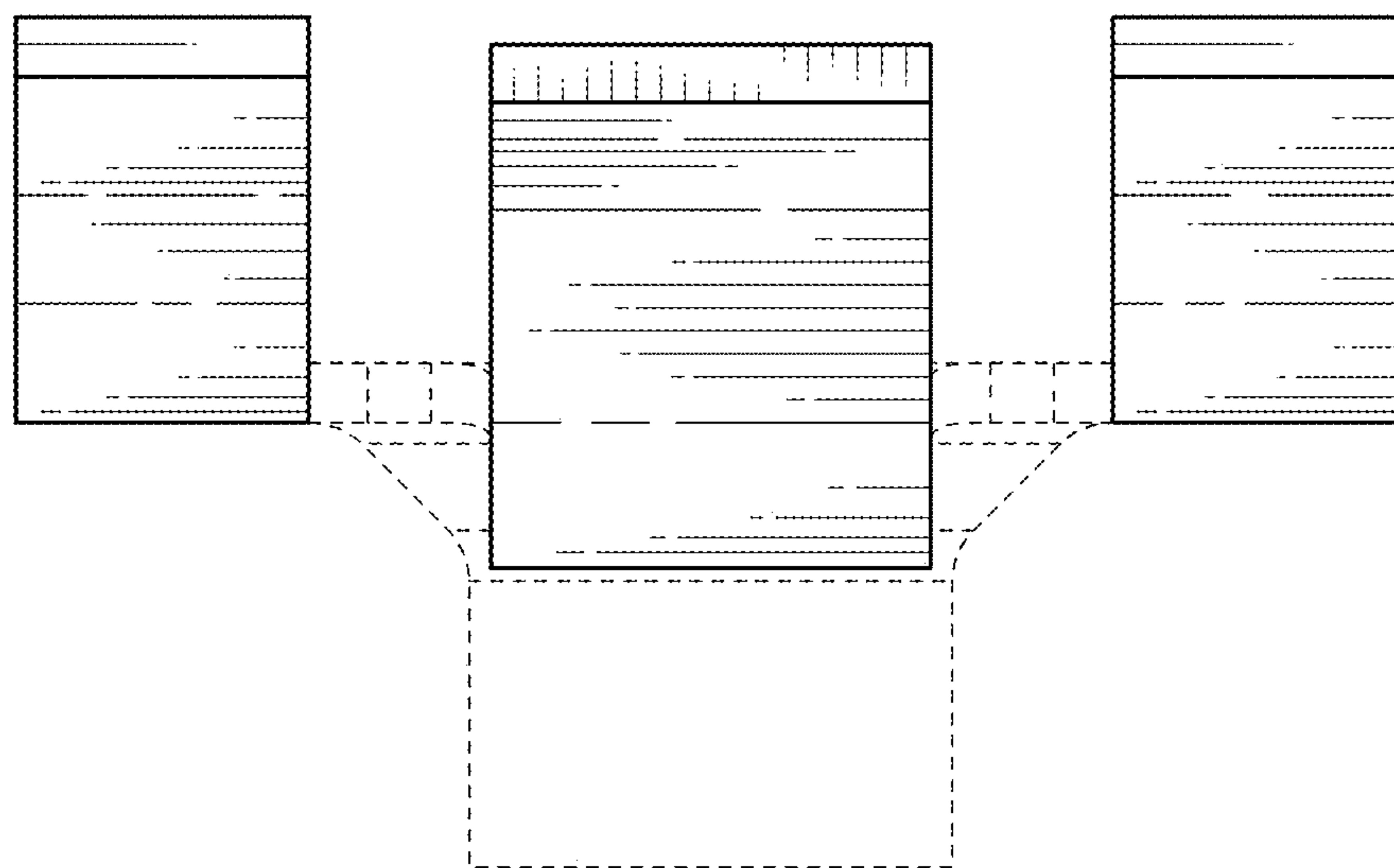


FIG. 3

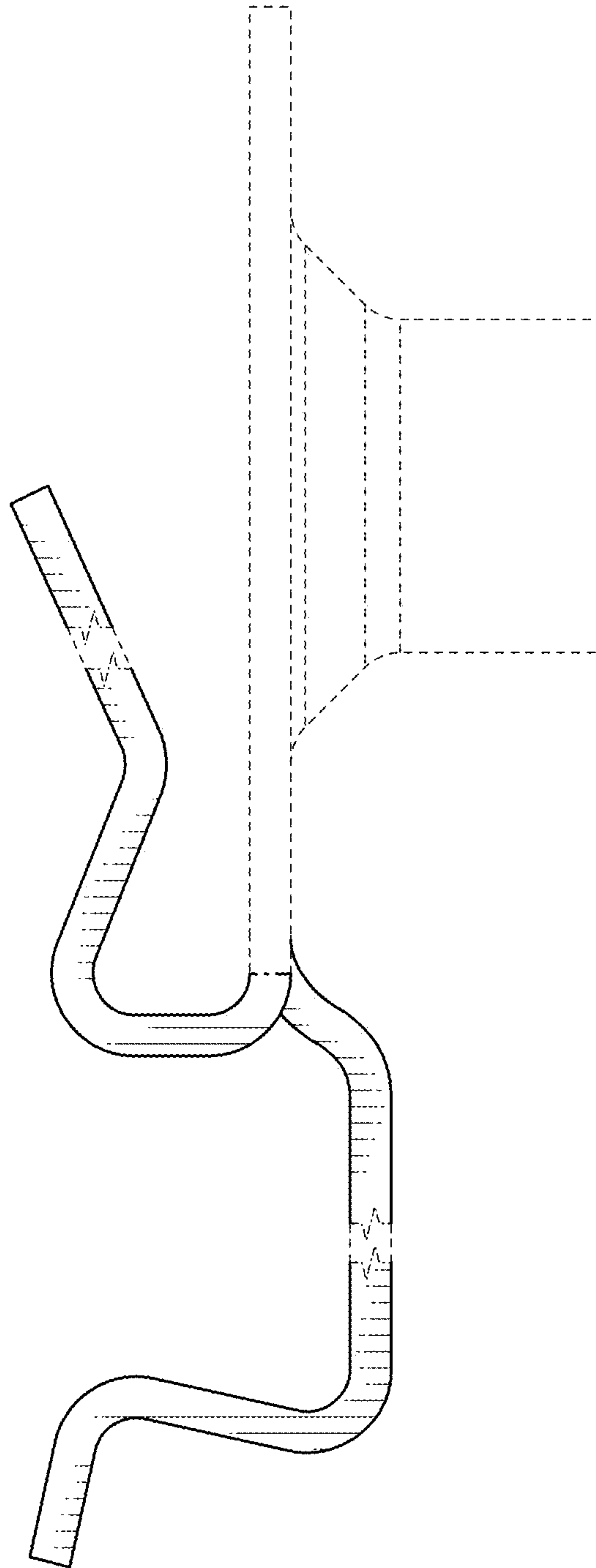


FIG. 4

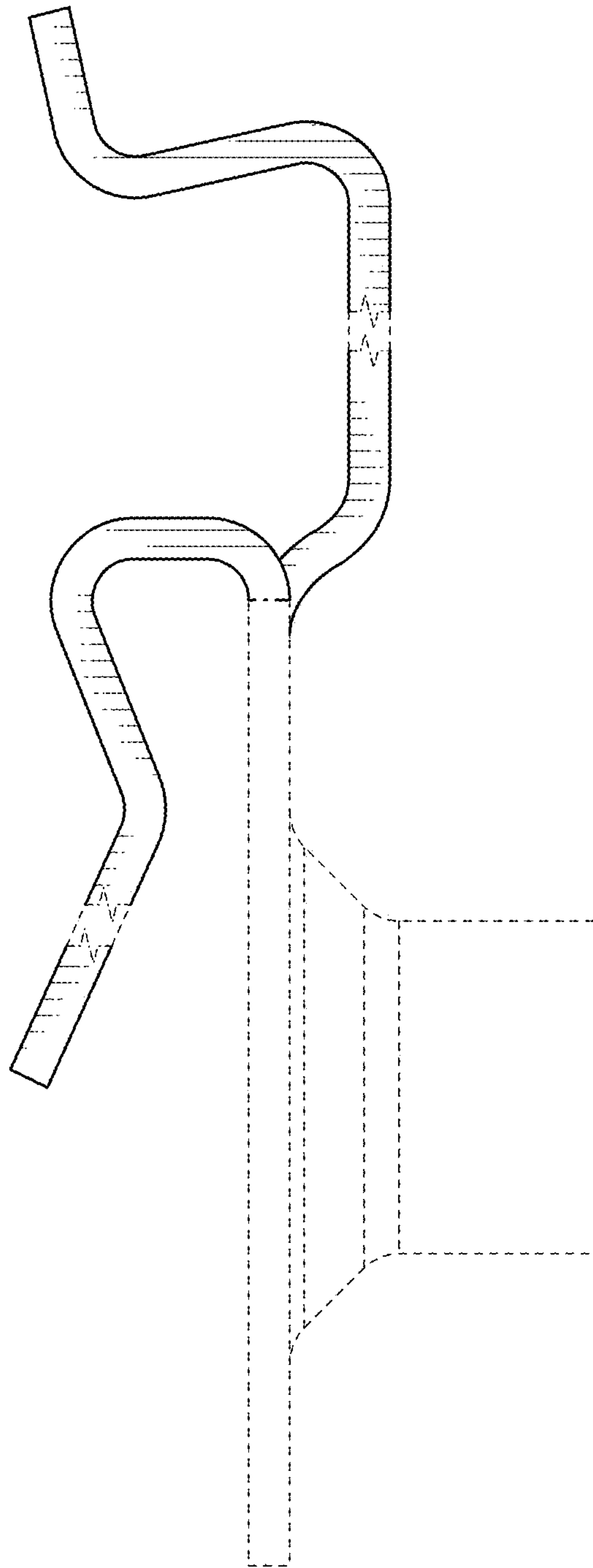


FIG. 5

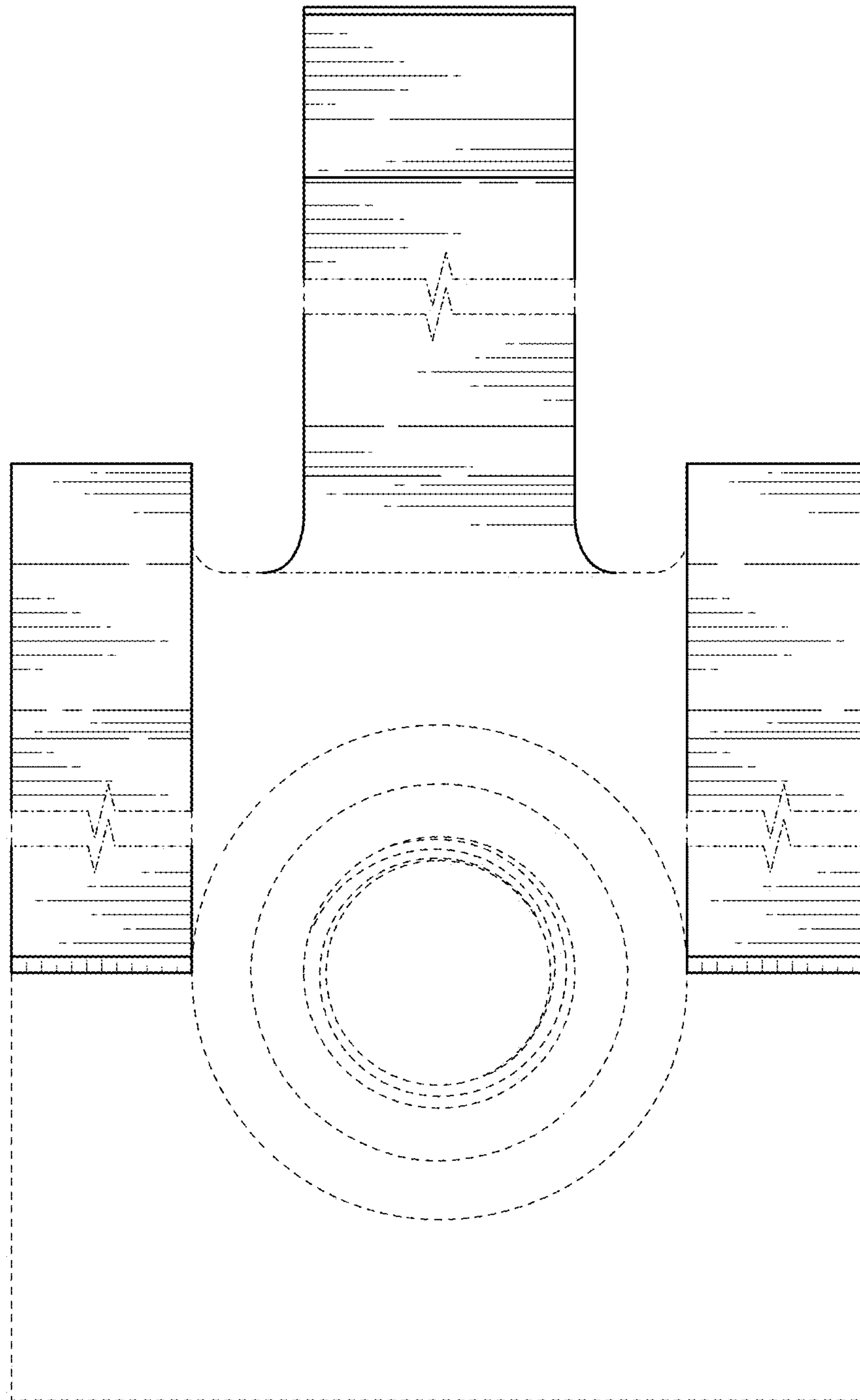


FIG. 6

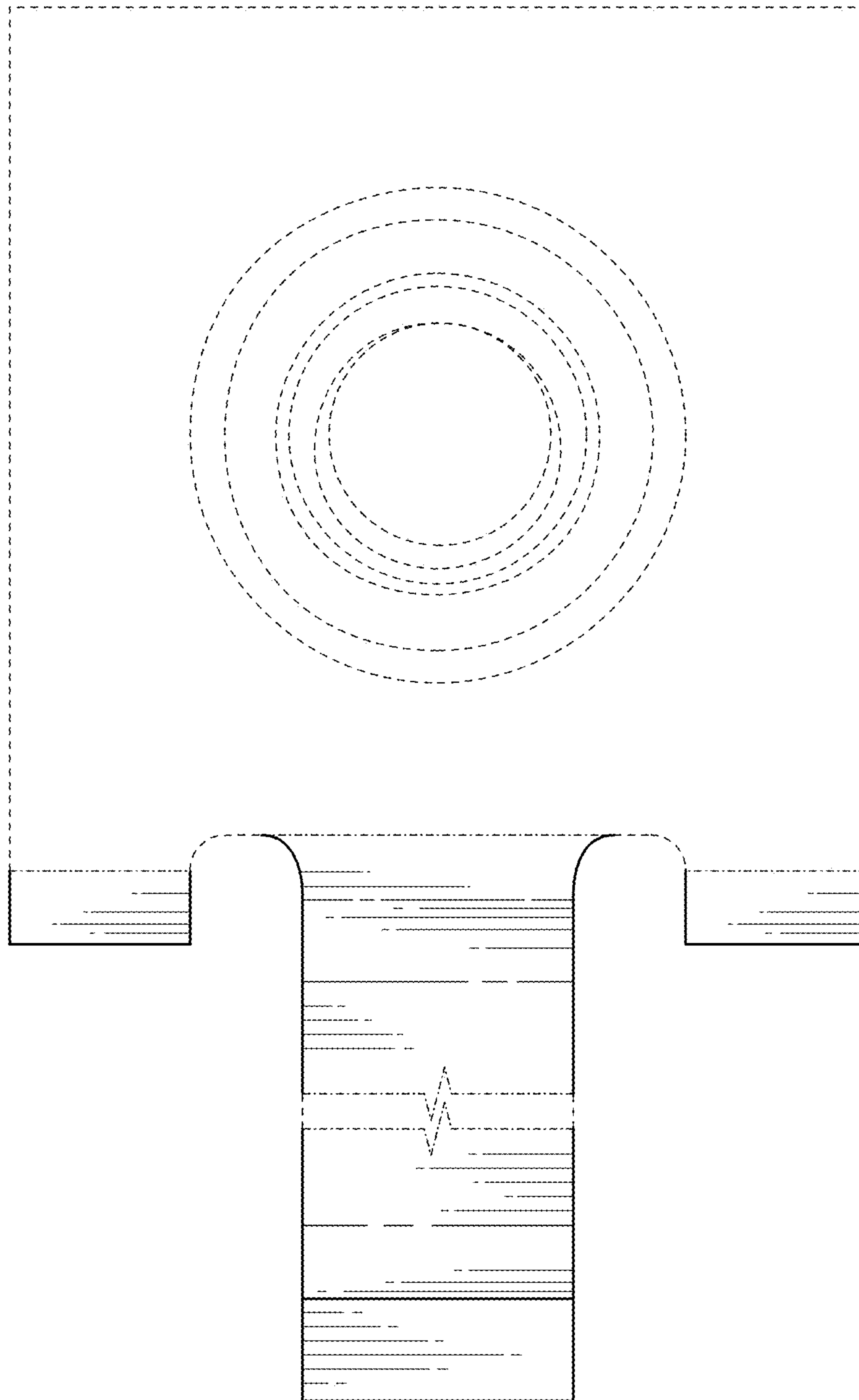


FIG. 7