



US00D929853S

(12) **United States Design Patent** (10) **Patent No.:** **US D929,853 S**
Healy et al. (45) **Date of Patent:** **** Sep. 7, 2021**

- (54) **ATTACHMENT MEMBER**
- (71) Applicant: **Skip Hop, Inc.**, New York, NY (US)
- (72) Inventors: **John Healy**, Brooklyn, NY (US); **Ben Bearsch**, Brooklyn, NY (US); **Janet Villano**, Jersey City, NJ (US)
- (73) Assignee: **Skip Hop, Inc.**, New York, NY (US)
- (**) Term: **15 Years**
- (21) Appl. No.: **29/706,345**
- (22) Filed: **Sep. 19, 2019**
- (51) **LOC (13) Cl.** **08-05**
- (52) **U.S. Cl.**
USPC **D8/367**
- (58) **Field of Classification Search**
USPC D8/367, 354, 349, 372; D6/323, 601;
248/301-304, 339; 297/188.03
CPC A47G 1/17; A47G 1/22; A47G 25/0607
See application file for complete search history.

- D810,554 S * 2/2018 Horn D8/380
- D822,464 S * 7/2018 Kwiatkowski D8/367
- 10,197,217 B2 * 2/2019 Will A47G 1/1633
- D878,186 S * 3/2020 Toye D8/370
- D880,989 S * 4/2020 Hashimoto D8/360
- D897,192 S * 9/2020 Grobe D8/360
- D899,234 S * 10/2020 Chen D8/367
- D908,475 S * 1/2021 Grobe D8/360
- D909,189 S * 2/2021 Mueller D8/367
- D918,021 S * 5/2021 Goodman D8/367

* cited by examiner

Primary Examiner — Cynthia R Underwood
(74) *Attorney, Agent, or Firm* — Greenberg Traurig, LLP

(57) **CLAIM**

The ornamental design for an attachment member, as shown and described.

DESCRIPTION

FIG. 1 is a perspective view of our attachment member showing additional environment;
 FIG. 2 is another perspective view thereof;
 FIG. 3 is a front view thereof;
 FIG. 4 is a back view thereof;
 FIG. 5 is a right side view thereof, the left side view being a mirror image of the right;
 FIG. 6 is a top side view thereof;
 FIG. 7 is a bottom side view thereof; and,
 FIG. 8 is a cross-sectional view taken along line 8-8 shown in FIG. 6.

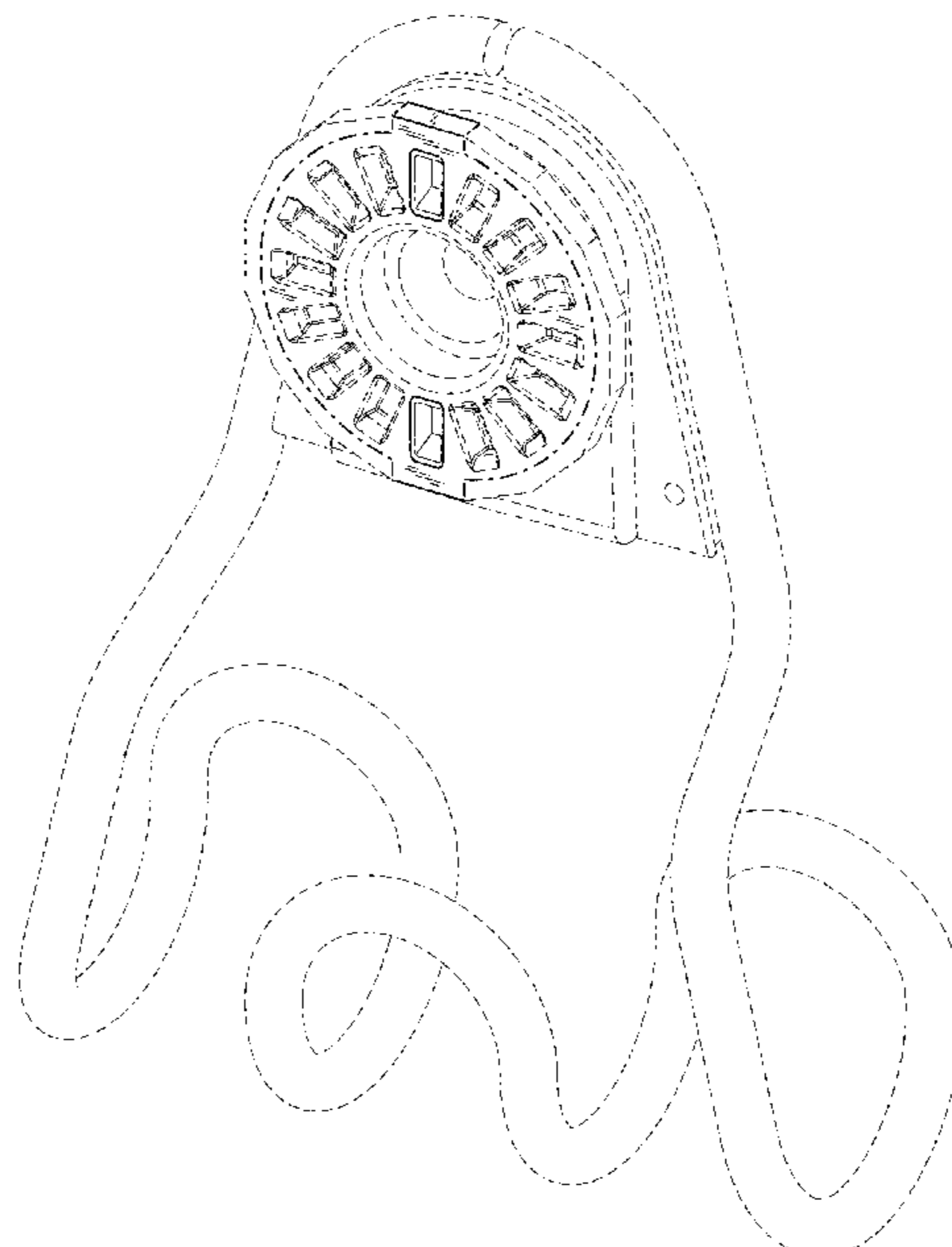
The broken lines depict environment and form no part of the claimed design. The long dash-short dash lines that abut a claimed surface in some figures represent an unclaimed boundary between claimed and unclaimed surfaces, and the boundary lines themselves form no part of the claimed design.

1 Claim, 5 Drawing Sheets

(56) **References Cited**

U.S. PATENT DOCUMENTS

- D264,789 S * 6/1982 Zyla D6/315
- D296,046 S * 6/1988 Marshall D6/315
- 4,823,962 A * 4/1989 Arias A47G 25/005
211/113
- 5,413,301 A * 5/1995 Cadman B65D 73/0071
211/113
- D393,413 S * 4/1998 Brown D8/370
- D404,127 S * 1/1999 Lammers D24/141
- D499,006 S * 11/2004 Bumgarner D8/360
- D504,934 S * 5/2005 Amburgey D22/149
- D533,362 S * 12/2006 Giampavolo D6/328
- D593,757 S * 6/2009 Barker D6/315
- D767,375 S * 9/2016 Nakano D8/360
- D792,922 S * 7/2017 Benson D17/22



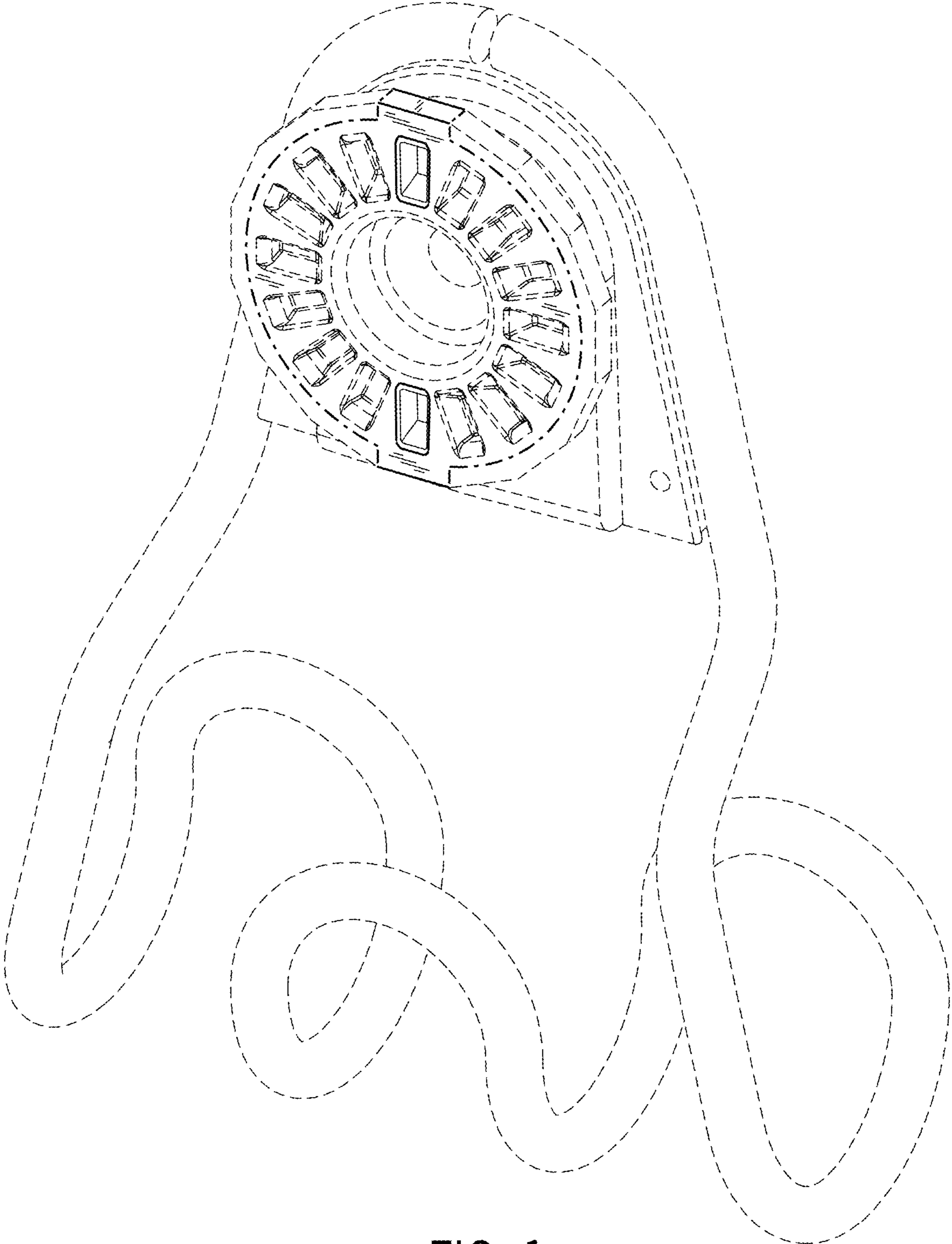


FIG. 1

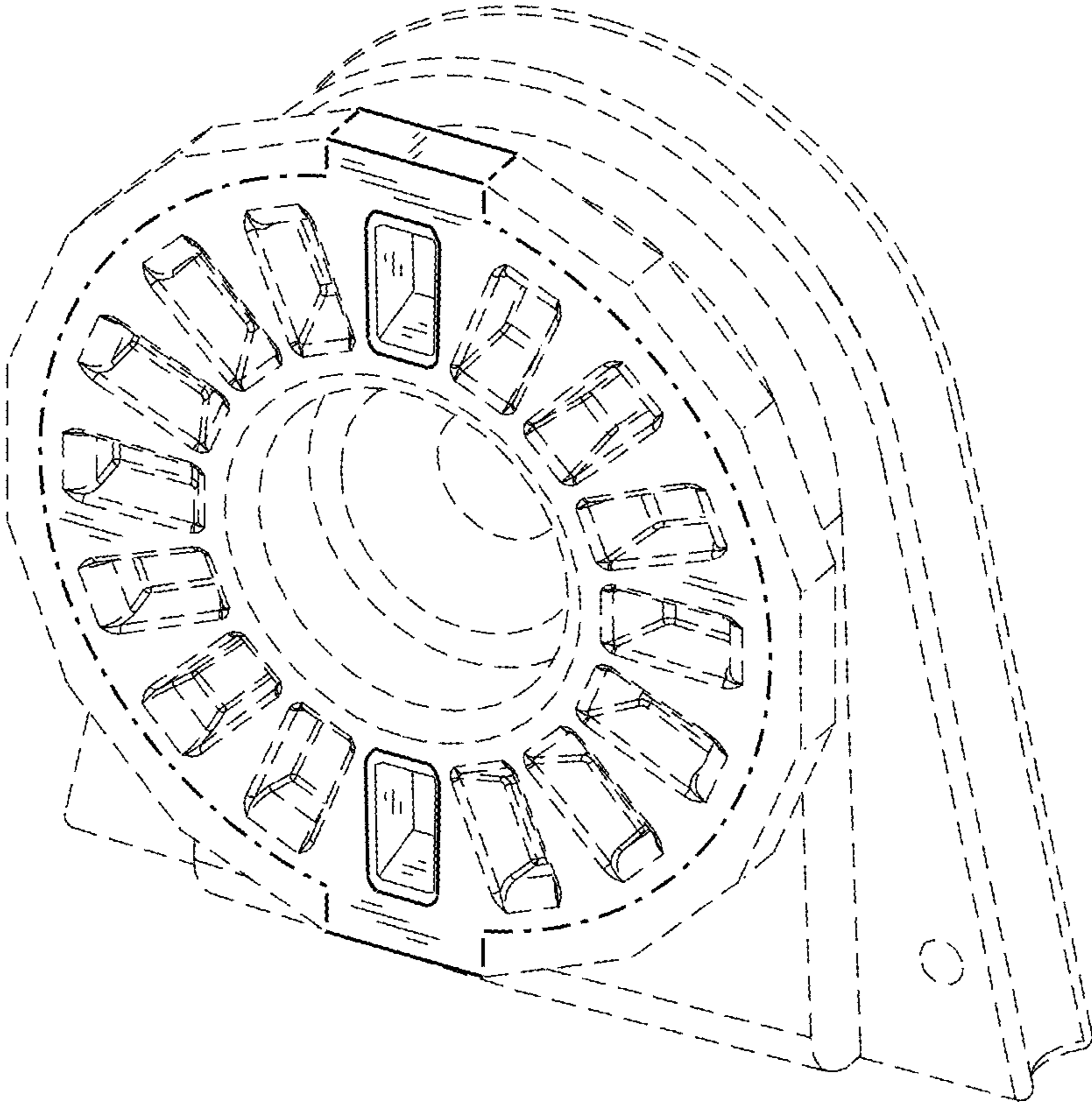


FIG. 2

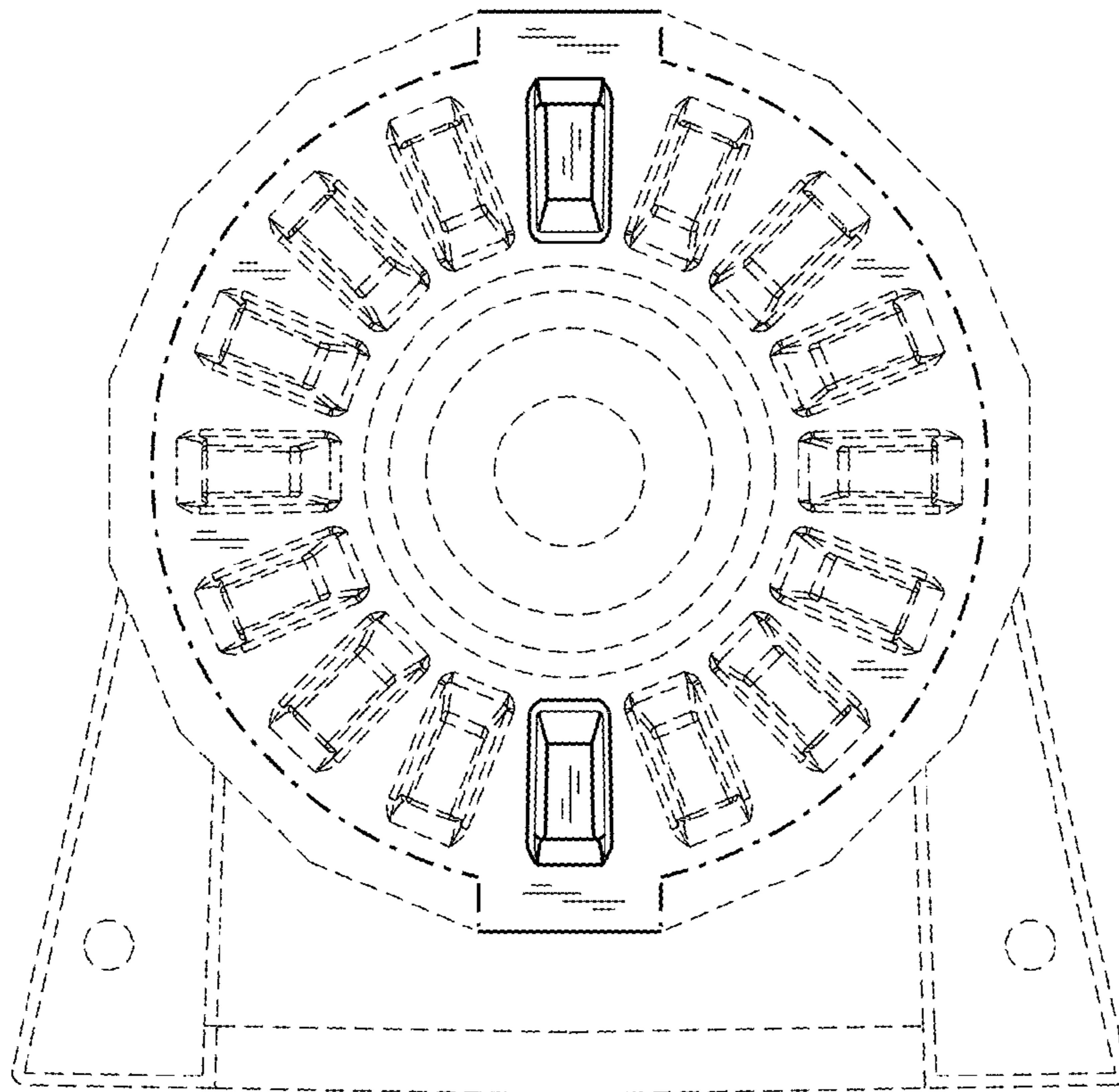


FIG. 3

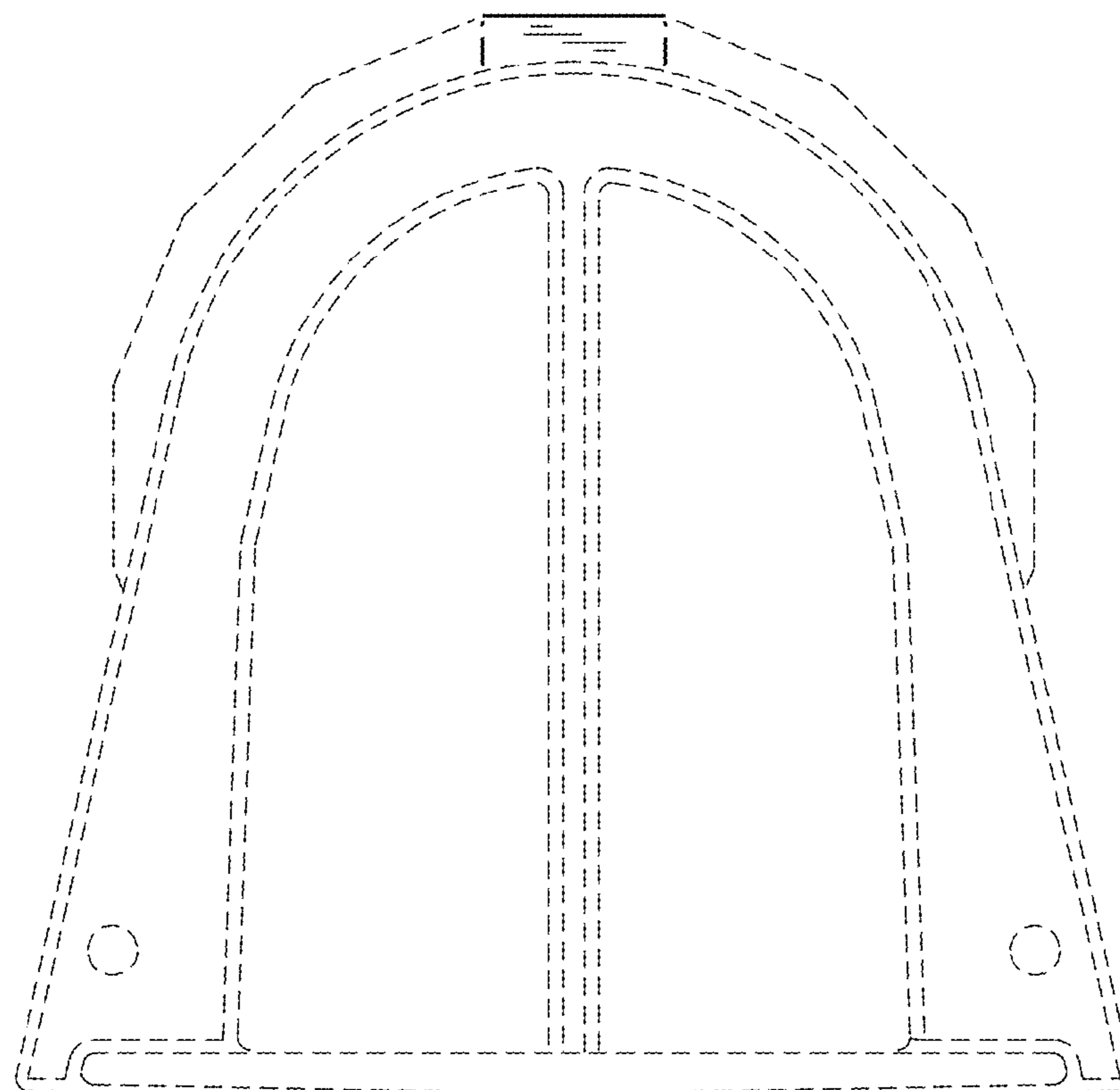


FIG. 4

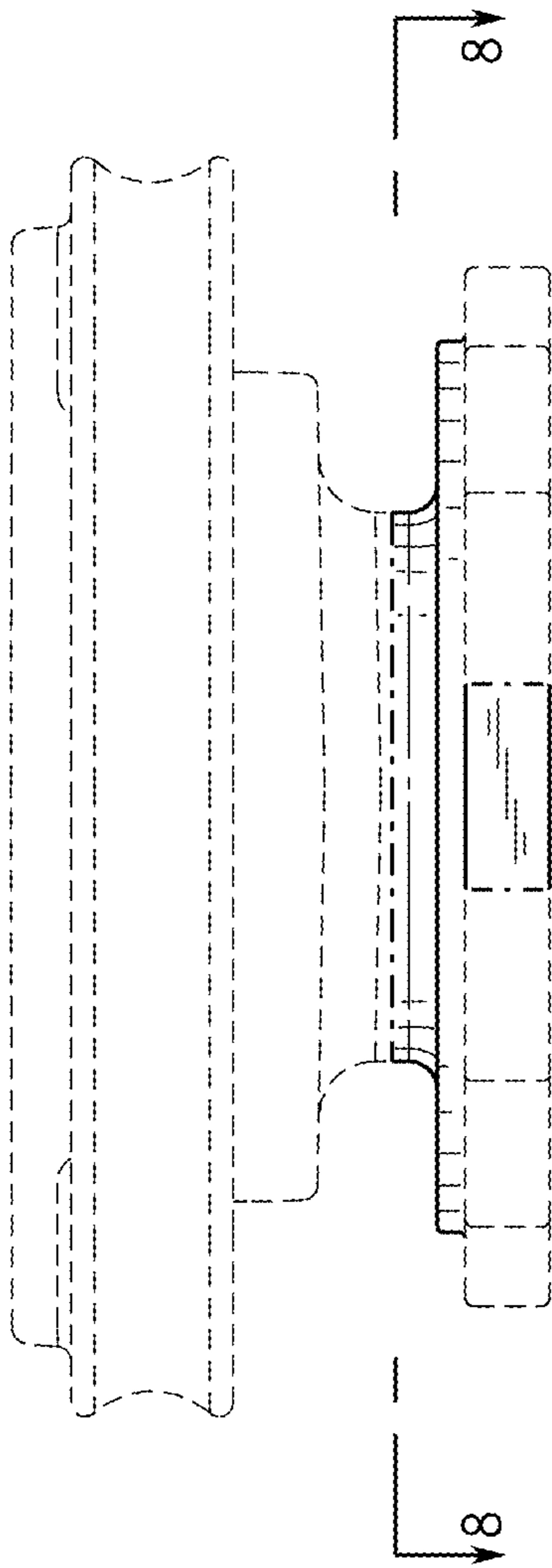


FIG. 6

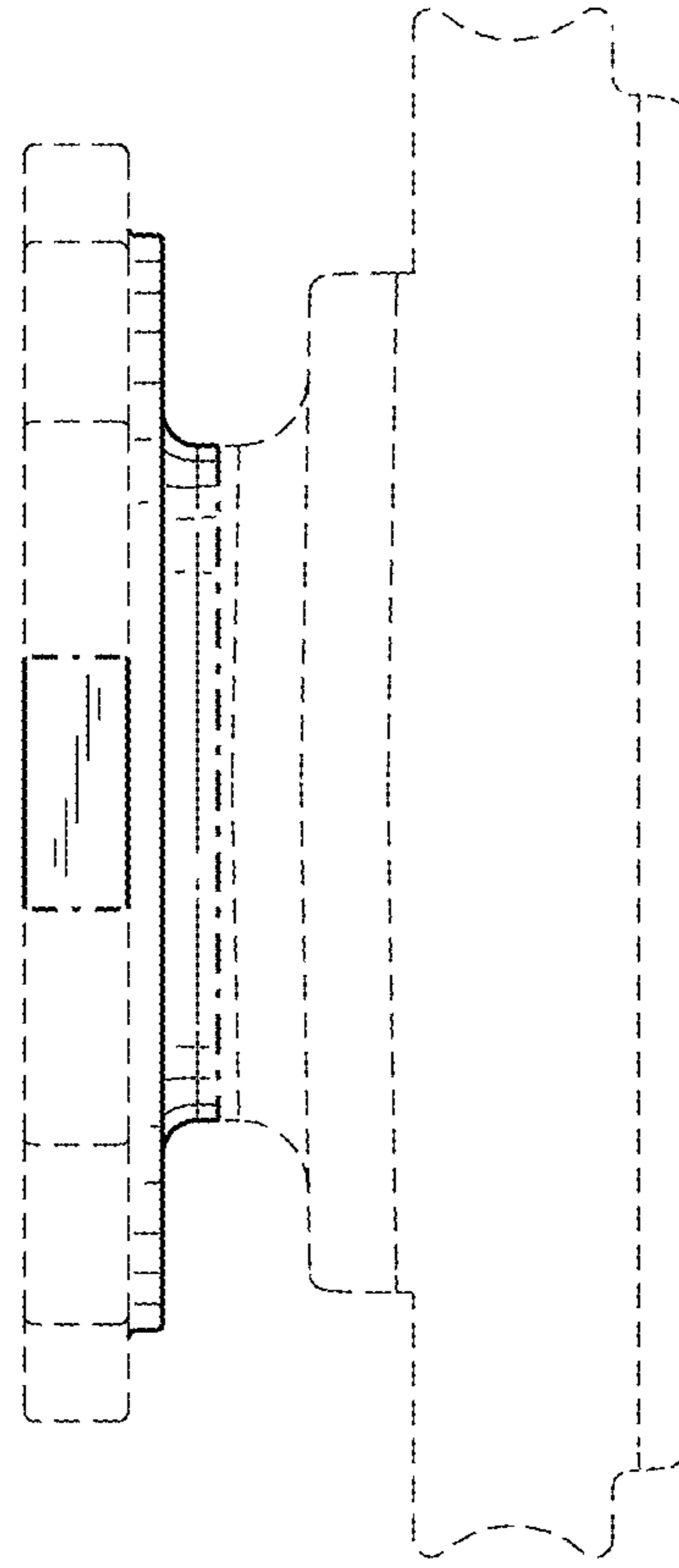


FIG. 7

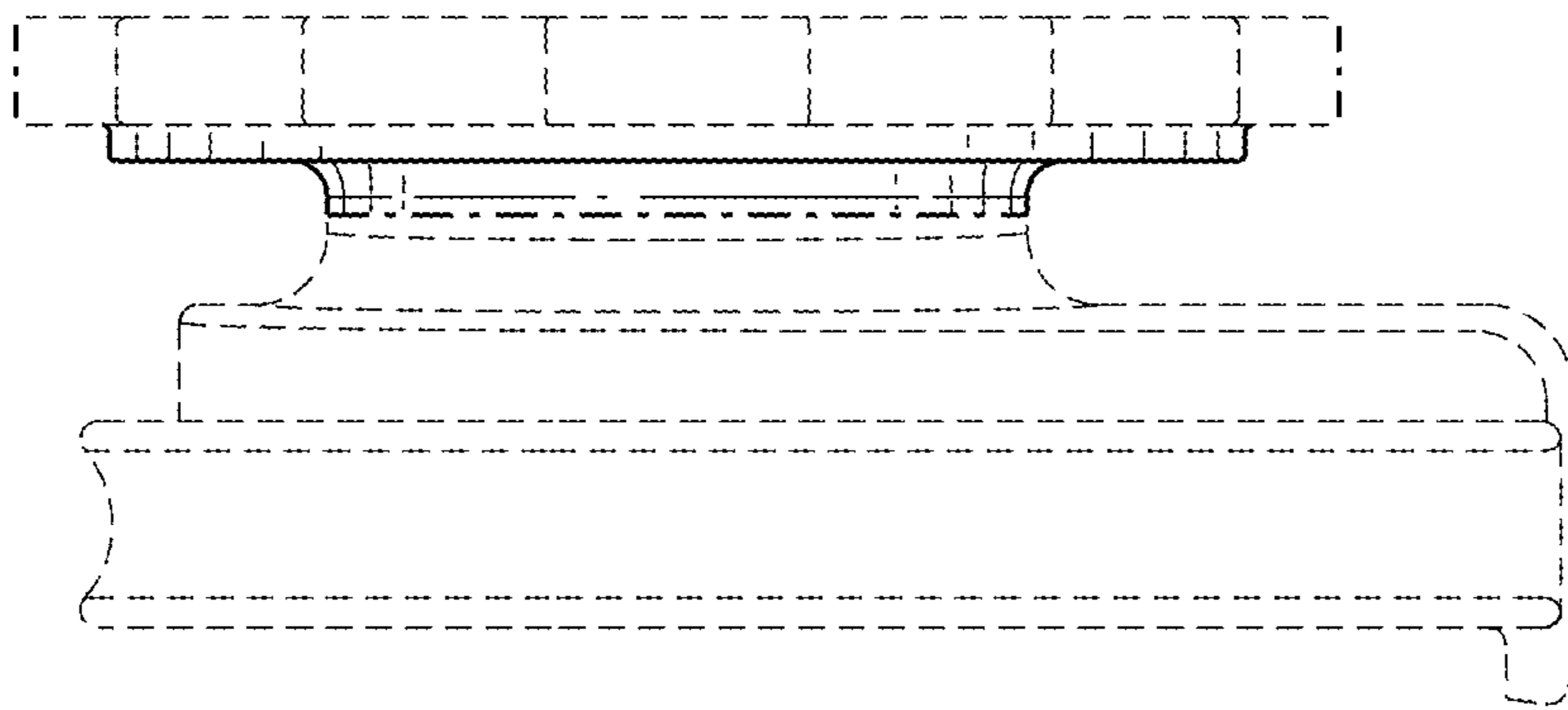


FIG. 5

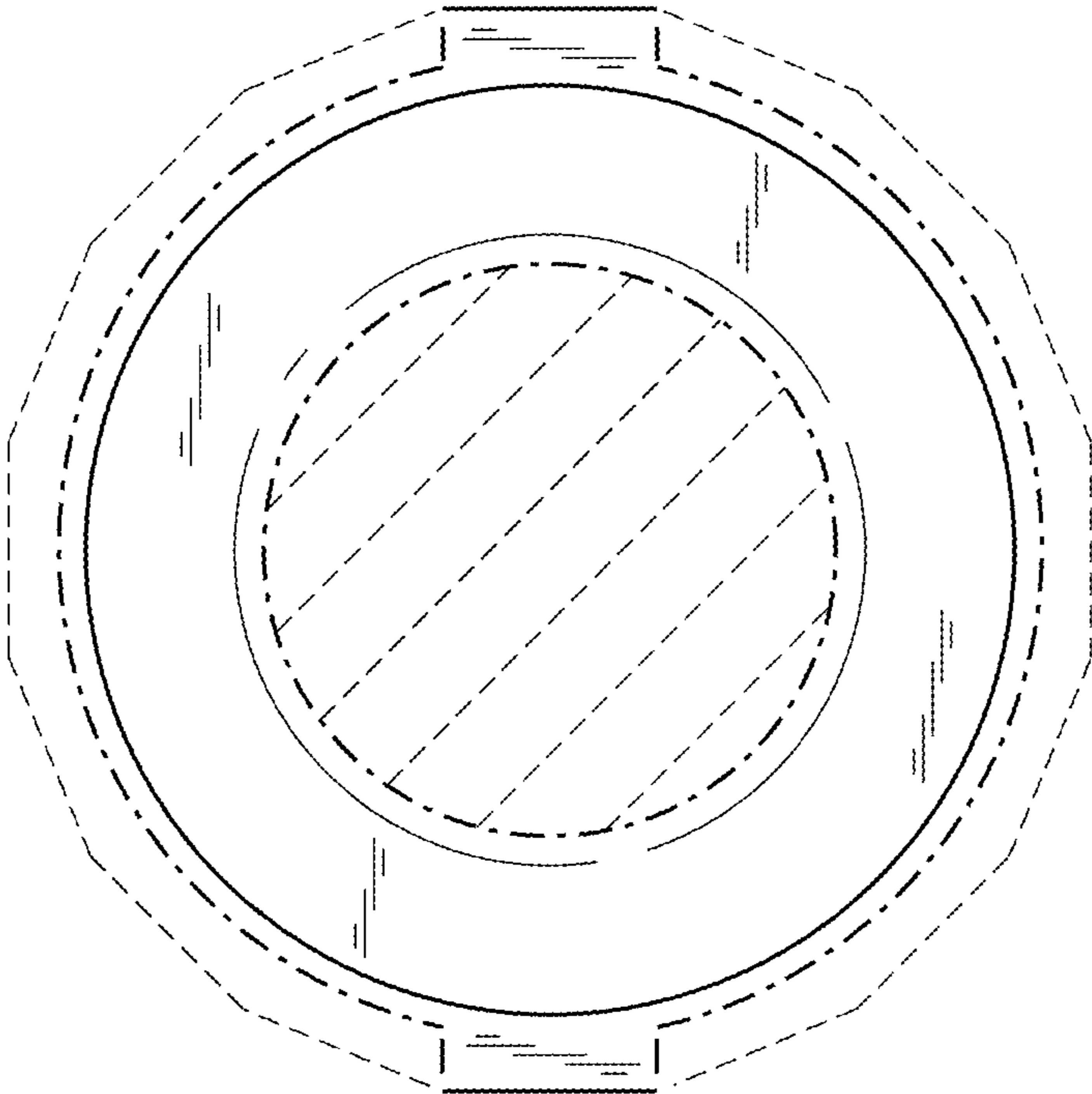


FIG. 8