



US00D929852S

(12) **United States Design Patent**
Carmo

(10) **Patent No.:** **US D929,852 S**
(45) **Date of Patent:** **** Sep. 7, 2021**

- (54) **THREE POINT TIE DOWN**
- (71) Applicant: **Josh Carmo**, Winnemucca, NV (US)
- (72) Inventor: **Josh Carmo**, Winnemucca, NV (US)
- (**) Term: **15 Years**
- (21) Appl. No.: **29/673,115**
- (22) Filed: **Dec. 12, 2018**
- (51) **LOC (13) Cl.** **08-05**
- (52) **U.S. Cl.**
USPC **D8/367**
- (58) **Field of Classification Search**
USPC D29/100, 101.1, 124; D3/327, 328;
D21/692; D8/44, 354, 367; 248/499
CPC A61G 1/044; A61G 7/10; A61G 7/1011;
A61G 7/1051; A44B 11/00; A45F 3/14;
A45F 5/00; F16F 1/36; B60P 7/0823;
A47B 2097/008
See application file for complete search history.

- D488,710 S * 4/2004 Holton D8/367
- 6,715,972 B2 4/2004 Jackson
- 6,755,383 B2 * 6/2004 Davis B60P 7/0823
248/354.7
- 6,851,902 B2 * 2/2005 Stanley B61D 45/001
410/96
- 6,932,550 B1 8/2005 Hope
- 6,966,732 B2 * 11/2005 Gohata B60P 3/079
410/100
- 7,025,545 B1 * 4/2006 Robison B60P 3/075
410/10

(Continued)

OTHER PUBLICATIONS

Attwood PWC 3-Point Tie Down—Pro Boating Supply (on-line), no date available. Retrieved from Internet Sep. 21, 2020, URL: <https://proboatingsupply.com/shop/attwood-pwc-3-point-tie-down/> (1 page).*

Primary Examiner — Kimberly Barnes
(74) *Attorney, Agent, or Firm* — Boudwin Intellectual Property; Daniel Boudwin

(56) **References Cited**

U.S. PATENT DOCUMENTS

- 777,028 A * 12/1904 Kretschmar A44B 11/00
24/318
- 3,116,948 A * 1/1964 Elsner B64D 1/06
294/74
- 4,842,458 A * 6/1989 Carpenter B60P 7/083
242/379.2
- 5,423,644 A * 6/1995 First, Sr. A44B 11/14
24/68 CD
- 5,623,750 A * 4/1997 Nasin B60P 7/0823
224/318
- 5,791,281 A * 8/1998 Davidson B63B 23/00
114/365
- D440,144 S * 4/2001 Todd D8/354
- 6,648,381 B2 * 11/2003 Holton E05C 17/042
24/298
- 6,705,811 B1 * 3/2004 Selby B60P 7/0823
410/100

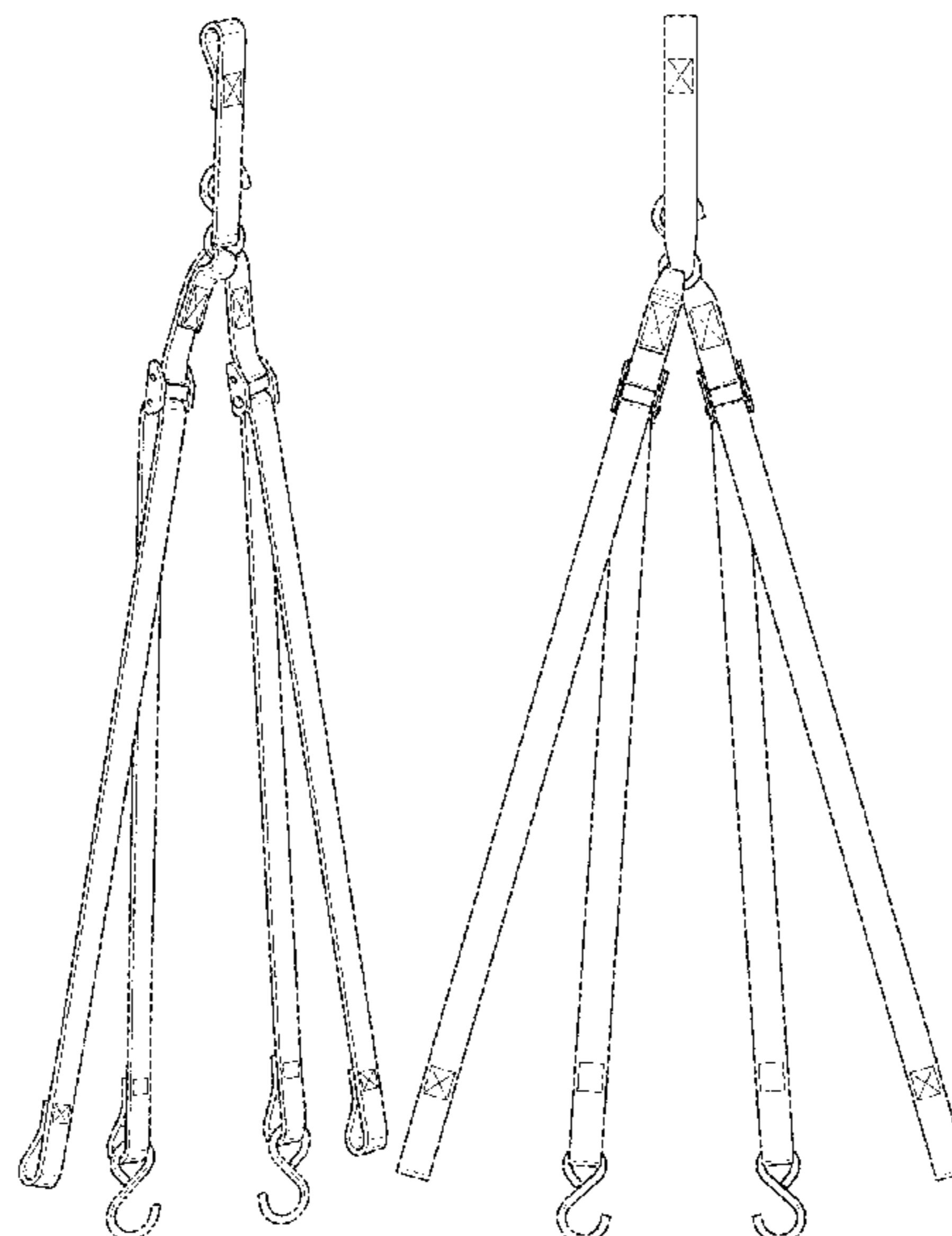
(57) **CLAIM**

The ornamental design for a three point tie down, as shown and described.

DESCRIPTION

FIG. 1 shows a perspective view of a three point tie down showing my new design;
FIG. 2 shows a rear view of the three point tie down;
FIG. 3 shows a front view of the three point tie down;
FIG. 4 shows a right side view of the three point tie down;
FIG. 5 shows a left side view of the three point tie down;
FIG. 6 shows a top plan view of the three point tie down; and,
FIG. 7 shows a bottom plan view of the three point tie down.

1 Claim, 5 Drawing Sheets



(56)

References Cited

U.S. PATENT DOCUMENTS

7,171,731	B1 *	2/2007	Borcherding	B60P 7/0823 24/265 CD
7,632,051	B1	12/2009	Abenroth	
8,079,116	B2 *	12/2011	Ayers	B60P 7/0869 24/68 CD
D652,701	S *	1/2012	Cranny	D8/44
8,099,836	B2 *	1/2012	Breeden	B60P 7/083 24/68 CD
8,776,323	B2 *	7/2014	McLennan	B60P 7/0823 24/170
8,938,862	B2 *	1/2015	Grasso	B60P 7/083 24/170
9,266,462	B2 *	2/2016	Miller	B60P 7/0823
10,703,251	B1 *	7/2020	Jones	B60R 9/06
2005/0180835	A1 *	8/2005	Schneider	B60P 7/0823 410/100
2006/0275094	A1	12/2006	Shaw	
2007/0196193	A1 *	8/2007	Hill	B60P 7/0823 410/23
2008/0226410	A1	9/2008	Valkenburgh	
2019/0255695	A1 *	8/2019	Moreau	B65D 1/12
2019/0291627	A1 *	9/2019	Carmo	B60P 7/0838

* cited by examiner

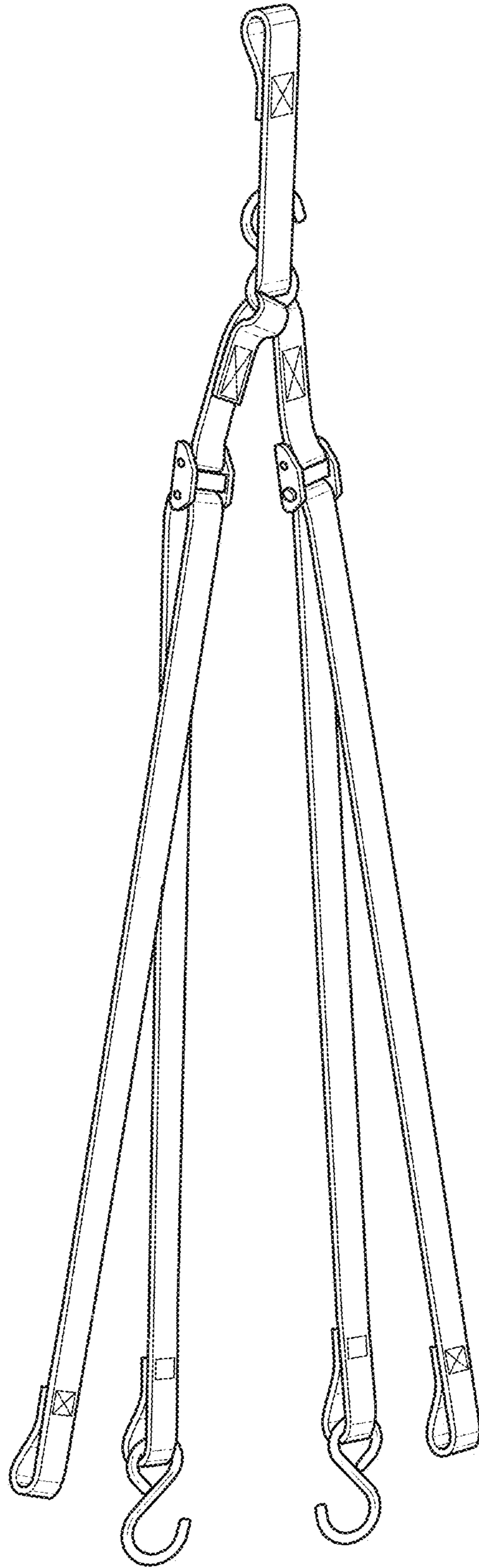


FIG. 1

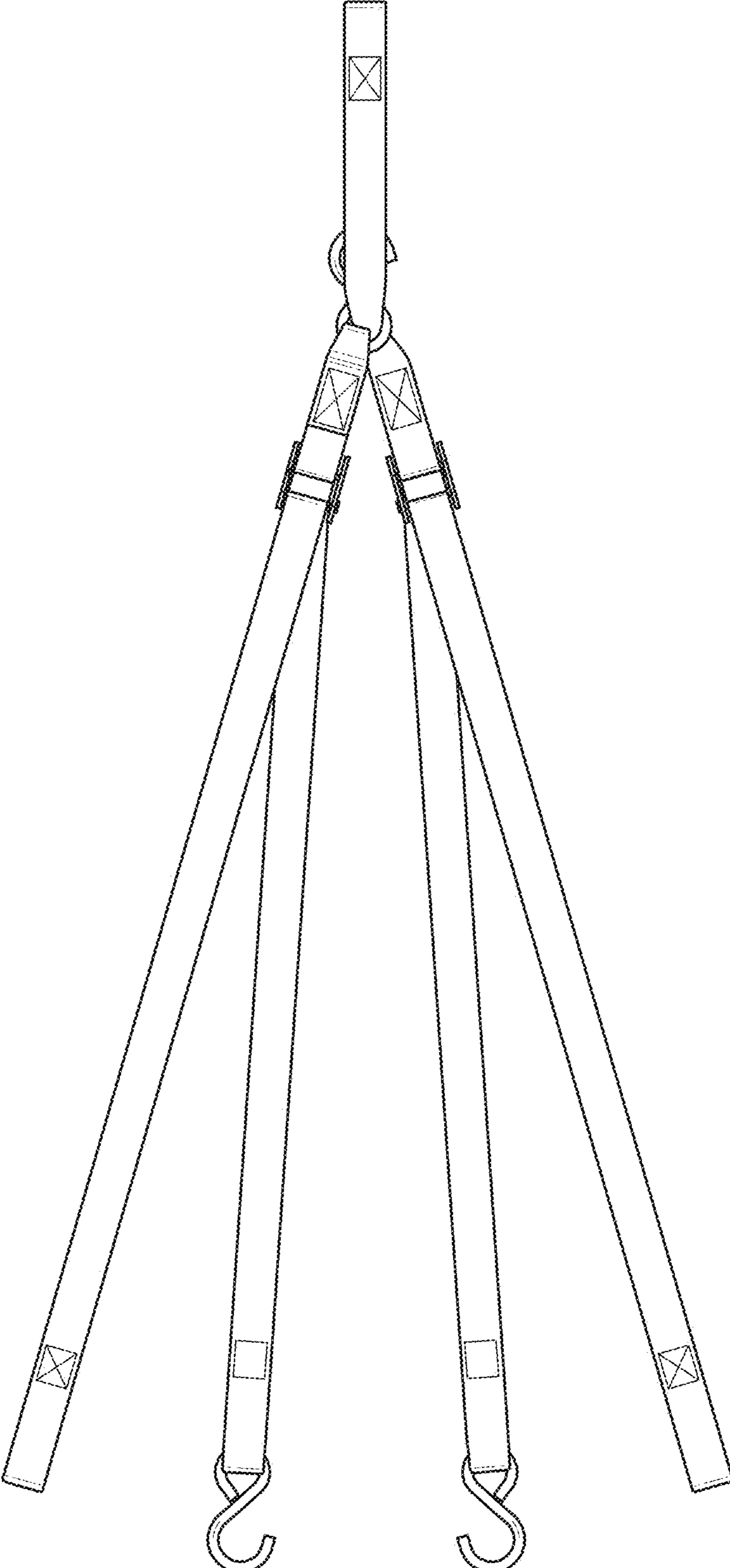


FIG. 2

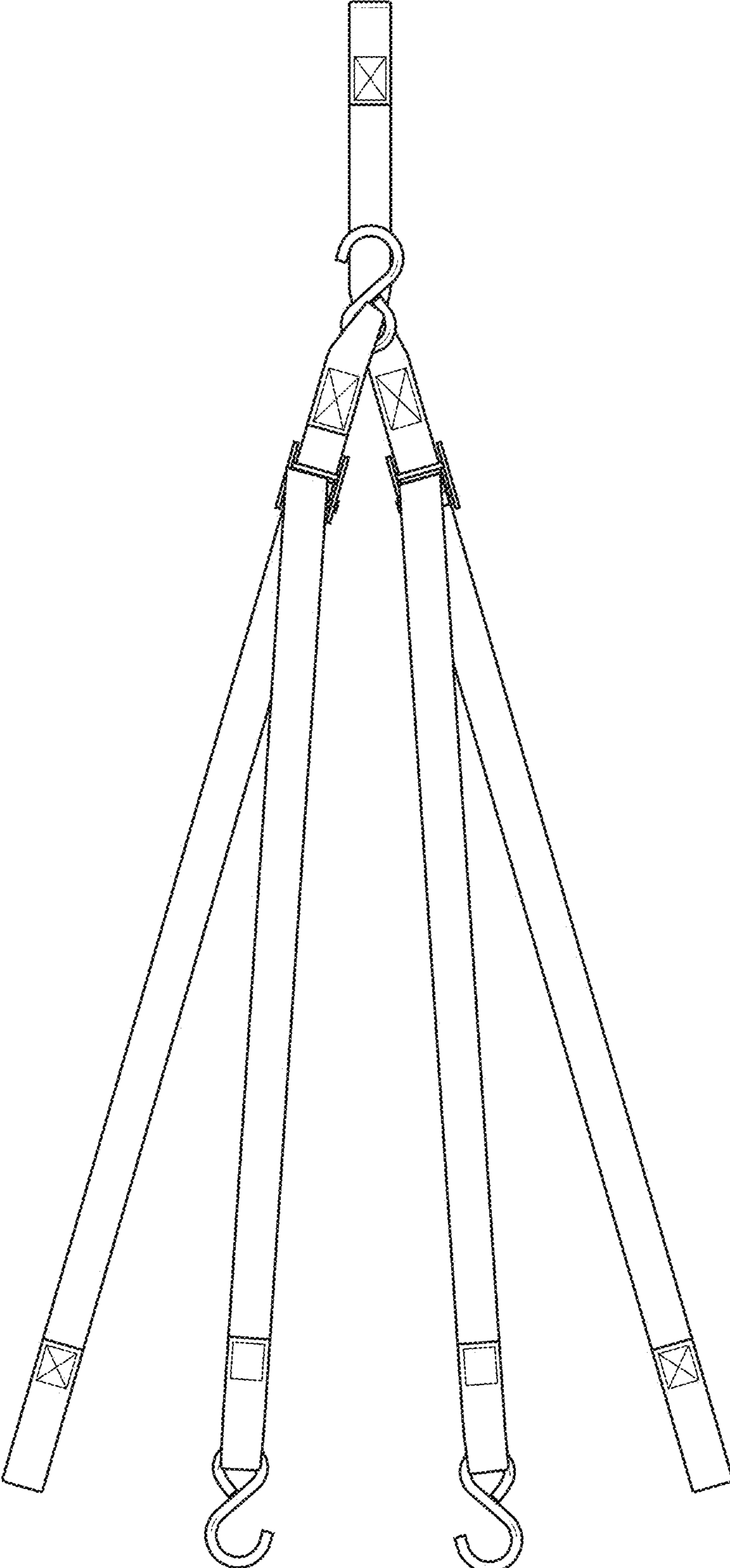


FIG. 3



FIG. 4

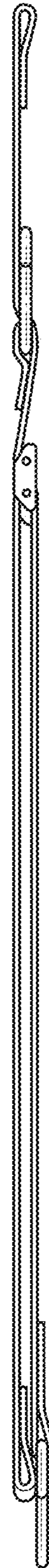


FIG. 5



FIG. 6



FIG. 7