



US00D929851S

(12) **United States Design Patent**
Deng

(10) **Patent No.:** **US D929,851 S**

(45) **Date of Patent:** **** Sep. 7, 2021**

(54) **EXTENSION CORD ORGANIZER**
(71) Applicant: **Kangping Deng**, Shenzhen (CN)
(72) Inventor: **Kangping Deng**, Shenzhen (CN)
(**) Term: **15 Years**

7,322,655 B1 * 1/2008 Williams A47C 7/52
297/423.15
D573,875 S * 7/2008 Anderson D8/367
D638,330 S * 5/2011 Fahrendorff D11/200
8,448,608 B2 * 5/2013 Mucerino, Jr. A01K 27/005
119/797
D694,096 S * 11/2013 DeFrancisci D8/367
(Continued)

(21) Appl. No.: **29/755,498**
(22) Filed: **Oct. 21, 2020**
(51) **LOC (13) Cl.** **09-06**
(52) **U.S. Cl.**
USPC **D8/356**; D8/367
(58) **Field of Classification Search**
USPC D8/367, 356, 354, 349; D12/420, 223;
24/16 PB; 361/826
CPC .. B60R 7/043; B60R 7/08; A47C 7/52; A47G
29/083
See application file for complete search history.

OTHER PUBLICATIONS

“Suny Smiling Heavy Duty Storage Straps, 6 Pack Extension Cord Organizer Hanger, Hook and Loop Cable Straps for Cords, Hoses and Rope, Garage Organization and Storage”, Retrieved Oct. 21, 2020]. Retrieved from Internet, <https://www.amazon.co.uk/Suny-Smiling-Extension-Organizer-Organization/dp/B08JLNXXZQD/>.
(Continued)

Primary Examiner — Cynthia R Underwood

(56) **References Cited**

U.S. PATENT DOCUMENTS

3,919,740 A * 11/1975 Scherb A22C 15/006
452/187
5,094,417 A * 3/1992 Creed A47G 29/083
248/215
5,325,568 A * 7/1994 Bruhm B60P 7/0823
24/265 CD
D367,949 S * 3/1996 Vallance D2/628
5,517,949 A * 5/1996 Harris A01K 27/005
119/795
5,647,619 A * 7/1997 DeLisio E05C 17/36
292/262
D398,220 S * 9/1998 Woods D8/367
D480,946 S * 10/2003 Estep, Jr. D8/367
7,036,780 B1 * 5/2006 Geninatti A63B 29/02
114/230.1
D530,095 S * 10/2006 Herzberg D3/327
D541,043 S * 4/2007 Paradise D3/221
D541,190 S * 4/2007 Plzak D11/200
D542,372 S * 5/2007 Strickland D22/134

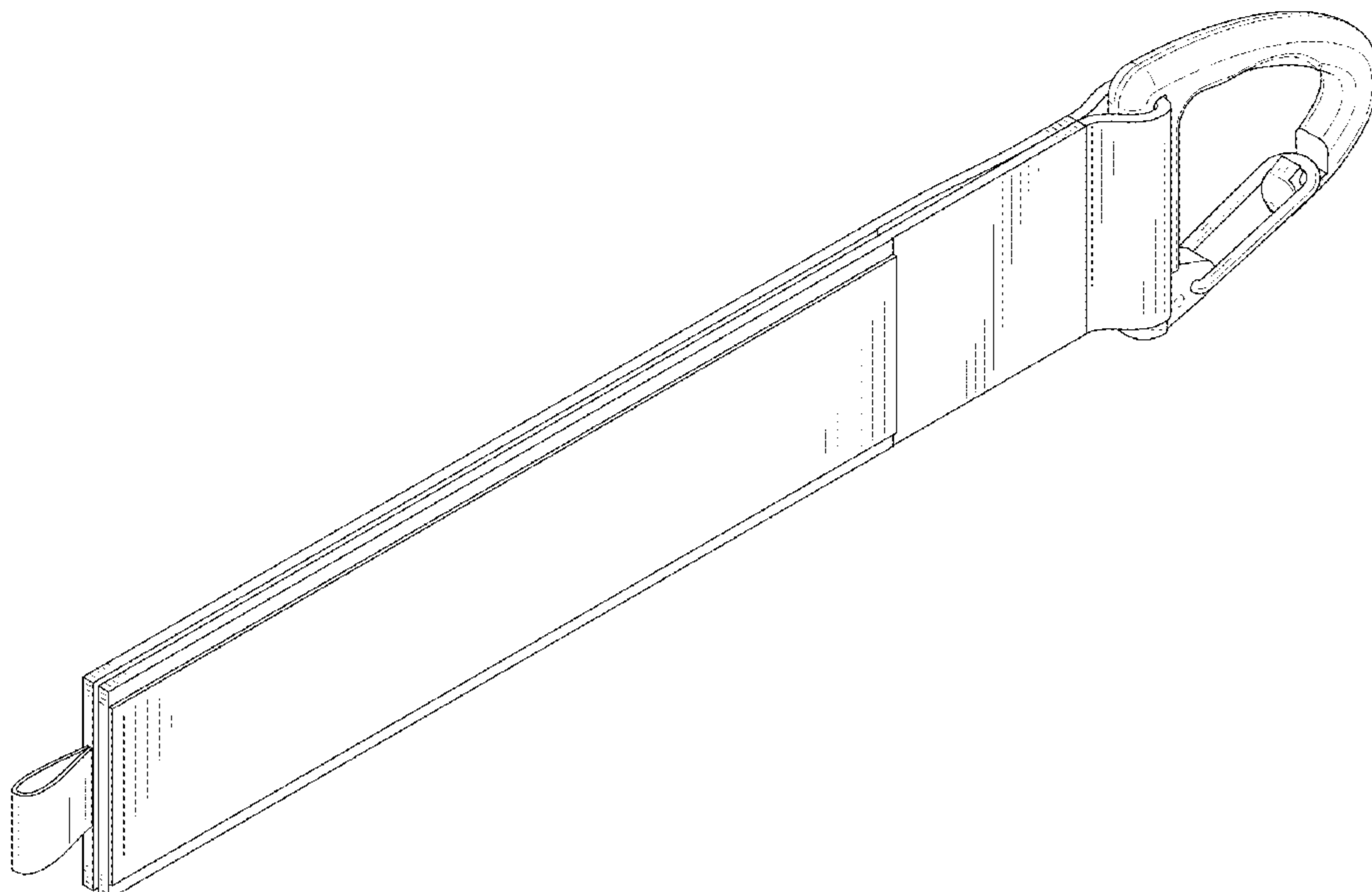
(57) **CLAIM**

The ornamental design for an extension cord organizer, as shown and described.

DESCRIPTION

FIG. 1 is a perspective view of an extension cord organizer showing my new design;
FIG. 2 is a front elevational view thereof;
FIG. 3 is a rear elevational view thereof;
FIG. 4 is a left side elevational view thereof;
FIG. 5 is a right side elevational view thereof;
FIG. 6 is a top plan view thereof;
FIG. 7 is a bottom plan view thereof;
FIG. 8 is a perspective view of the extension cord organizer where the extension cord organizer is in a configuration of use;
FIG. 9 is an enlarged view of portion 9 shown in FIG. 6; and,
FIG. 10 is an enlarged view of portion 10 shown in FIG. 8.

1 Claim, 10 Drawing Sheets



(56)

References Cited

U.S. PATENT DOCUMENTS

D695,470 S * 12/2013 Reed D30/153
 8,628,488 B2 * 1/2014 Serola A61F 5/34
 602/75
 8,910,347 B1 * 12/2014 Wilcox B65D 63/109
 24/16 R
 D733,525 S * 7/2015 Petzl D8/349
 9,102,276 B1 * 8/2015 Virgin B60R 7/043
 D741,145 S * 10/2015 Petzl D8/349
 D747,176 S * 1/2016 Petzl D8/349
 D767,977 S * 10/2016 Man D8/367
 10,065,077 B2 * 9/2018 Phillips A63B 29/02
 D854,916 S * 7/2019 Derr D8/356
 10,343,612 B1 * 7/2019 Allred B60R 7/14
 10,391,920 B2 * 8/2019 Squires B60P 3/079
 D899,234 S * 10/2020 Chen D8/367
 D915,181 S * 4/2021 Chen D8/367
 D917,267 S * 4/2021 Pang D8/367
 2002/0104202 A1 * 8/2002 Henry B62B 3/1456
 24/306

2010/0327615 A1 * 12/2010 Juan Ponsa B66C 1/18
 294/74
 2011/0094011 A1 * 4/2011 Klekamp A63B 21/4021
 2/170
 2012/0018250 A1 * 1/2012 Smith A63B 27/00
 182/9
 2013/0061429 A1 * 3/2013 Hede A63B 29/02
 24/302
 2013/0334385 A1 * 12/2013 Steck A63B 29/024
 248/231.9
 2018/0281660 A1 * 10/2018 Dahlin F16B 1/00

OTHER PUBLICATIONS

“DOTU Extension Cord Wrap Organizer and Holder, 12Pcs Extension Cord Holder Organizer Heavy-Duty Hook and Loop Storage Strap for House Basement RV Garage Hook Water Hoses Power Cable Ropes”. Retrieved Oct. 21, 2020]. Retrieved from Internet, <https://www.amazon.co.uk/DOTU-Extension-Organizer-Heavy-Duty-Basement/dp/B08FT1P1W1/>.

* cited by examiner

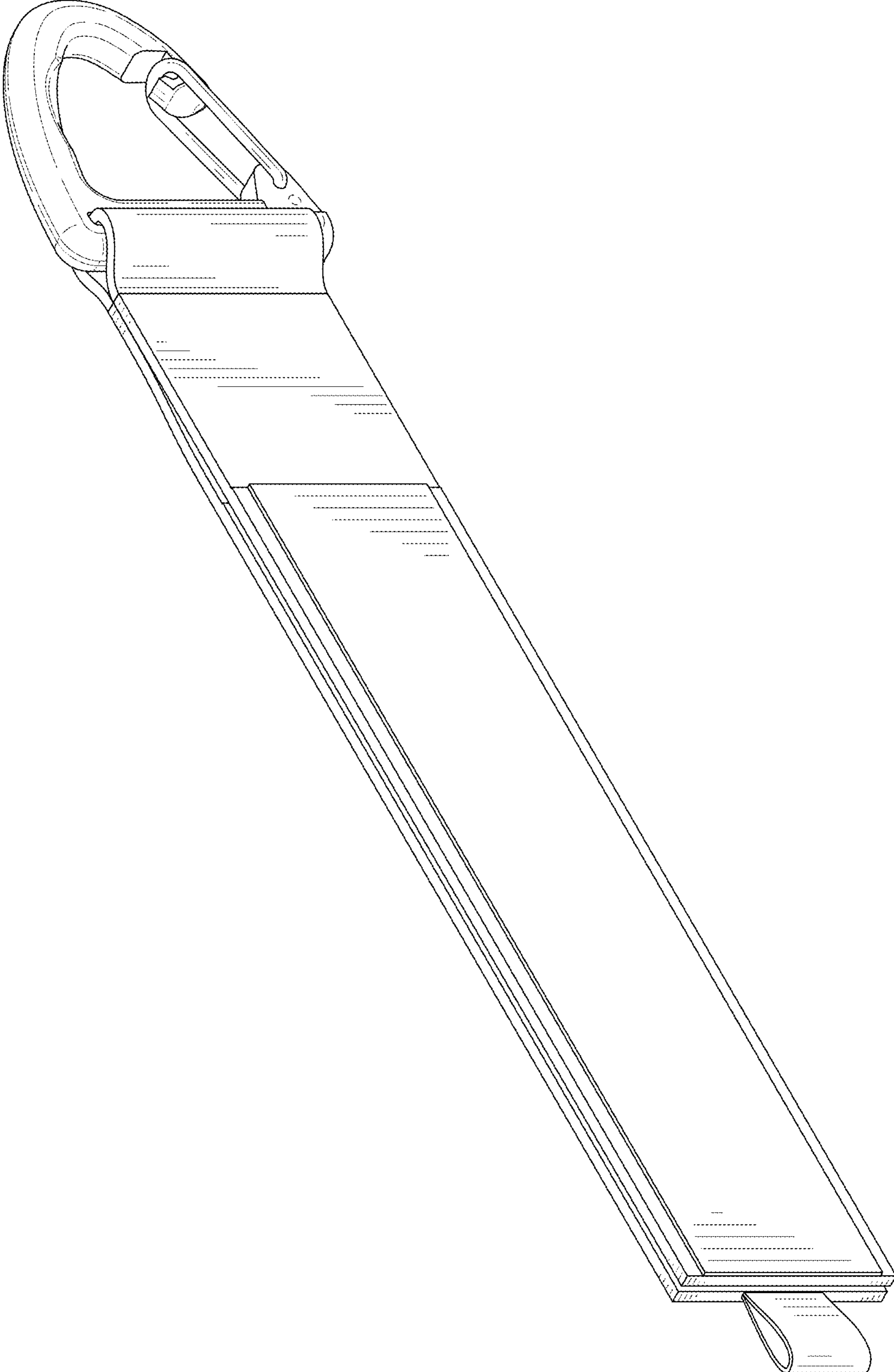


FIG. 1

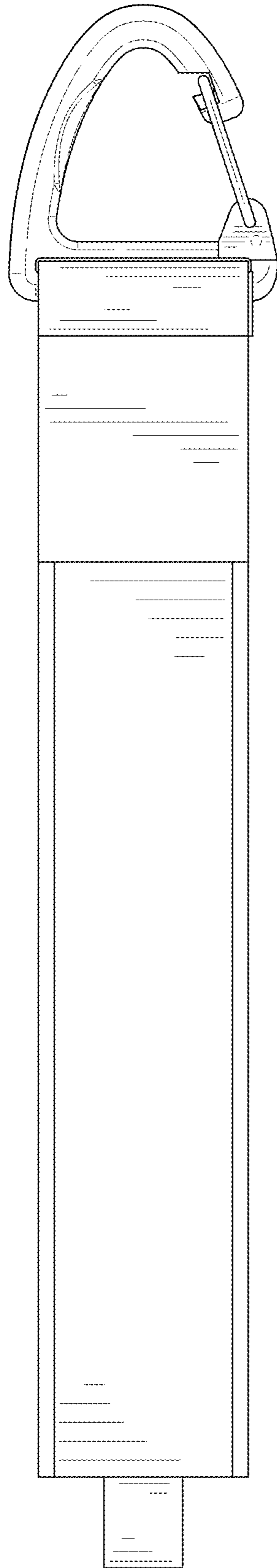


FIG. 2

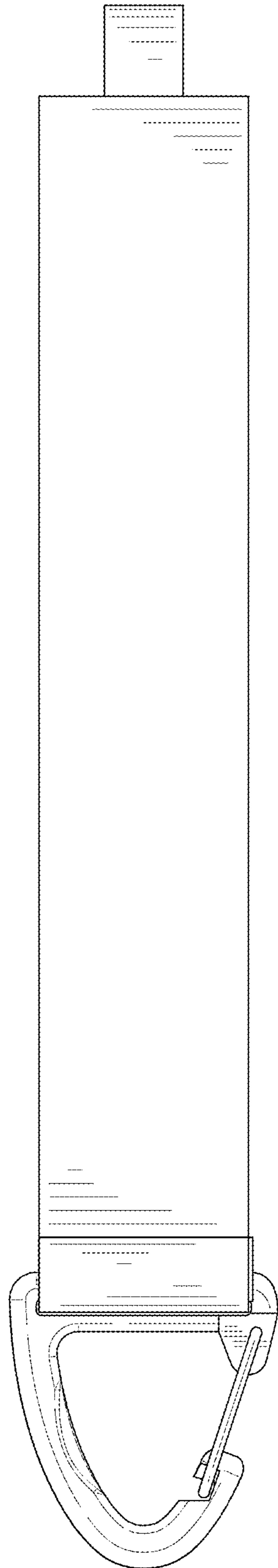


FIG. 3

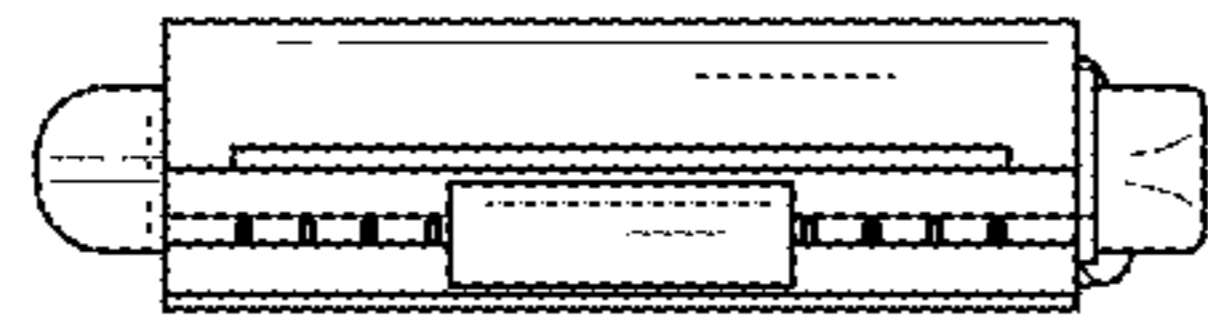


FIG. 4

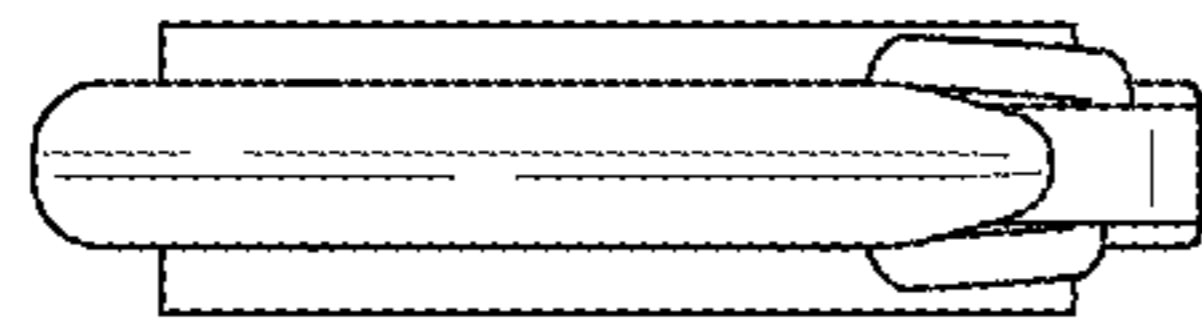


FIG. 5

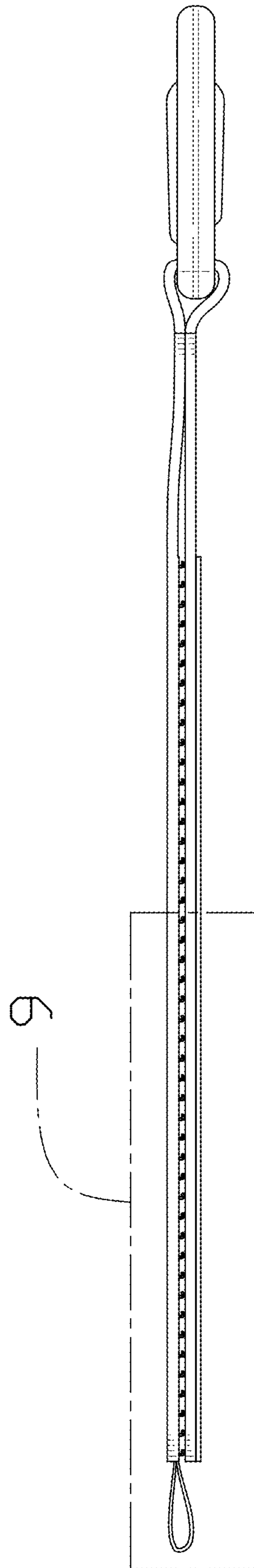


FIG. 6

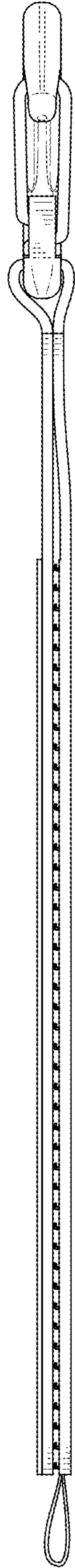


FIG. 7

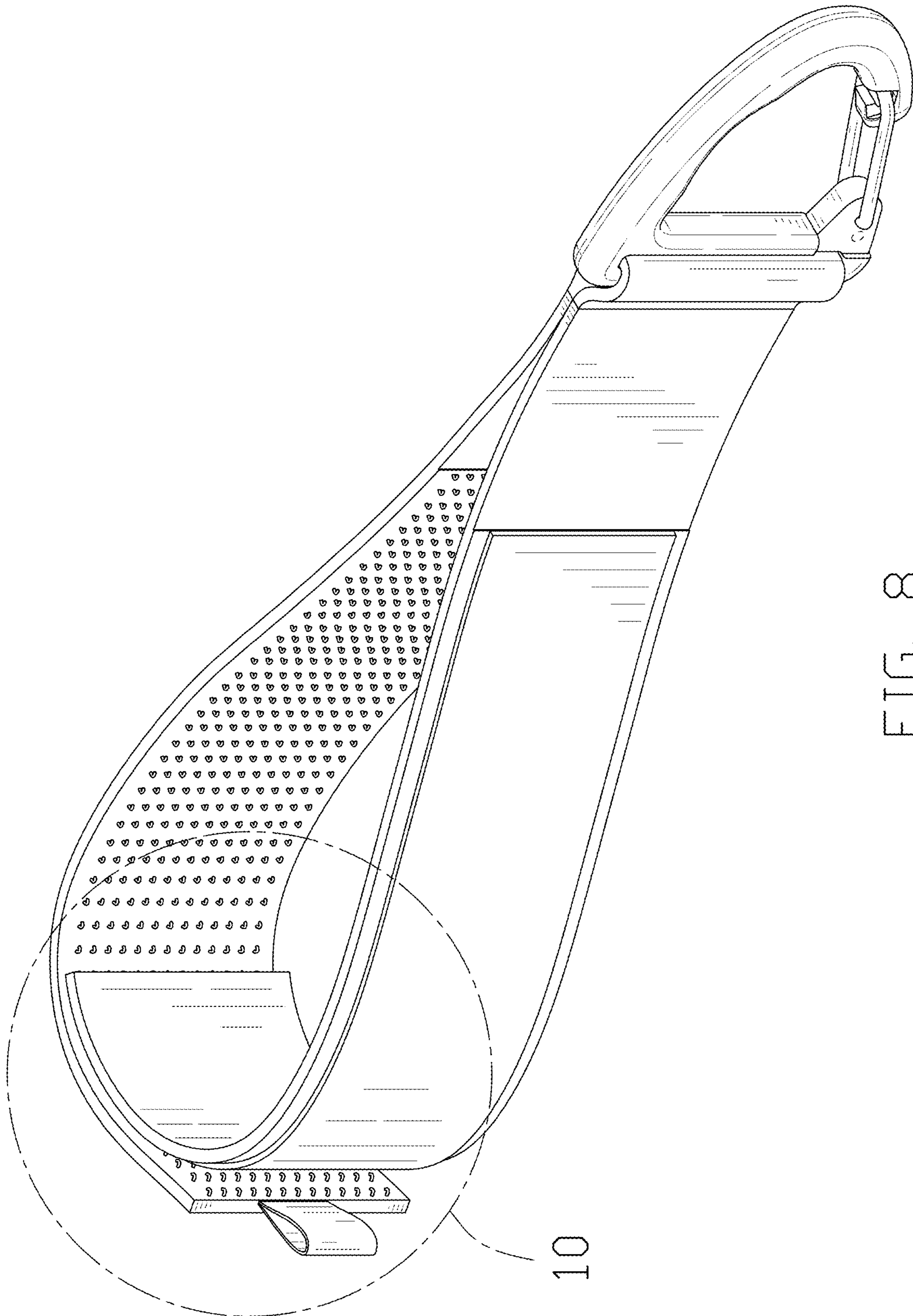


FIG. 8

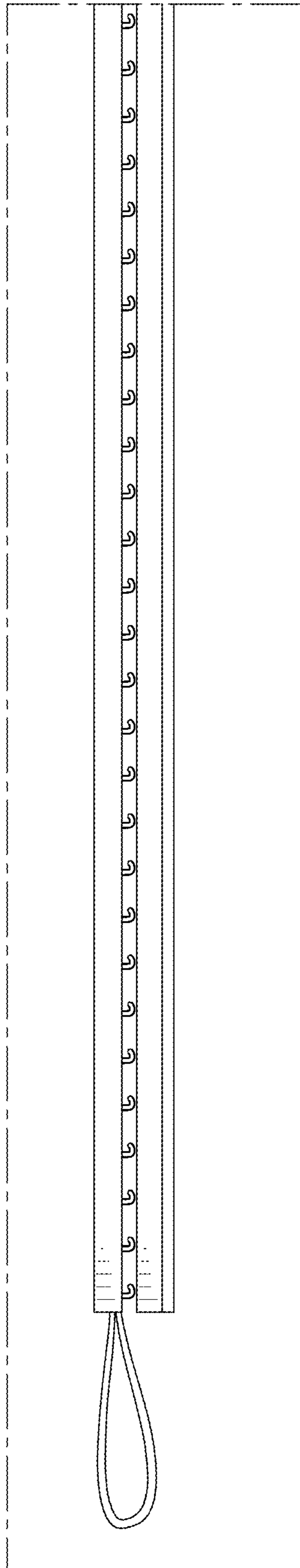


FIG. 9

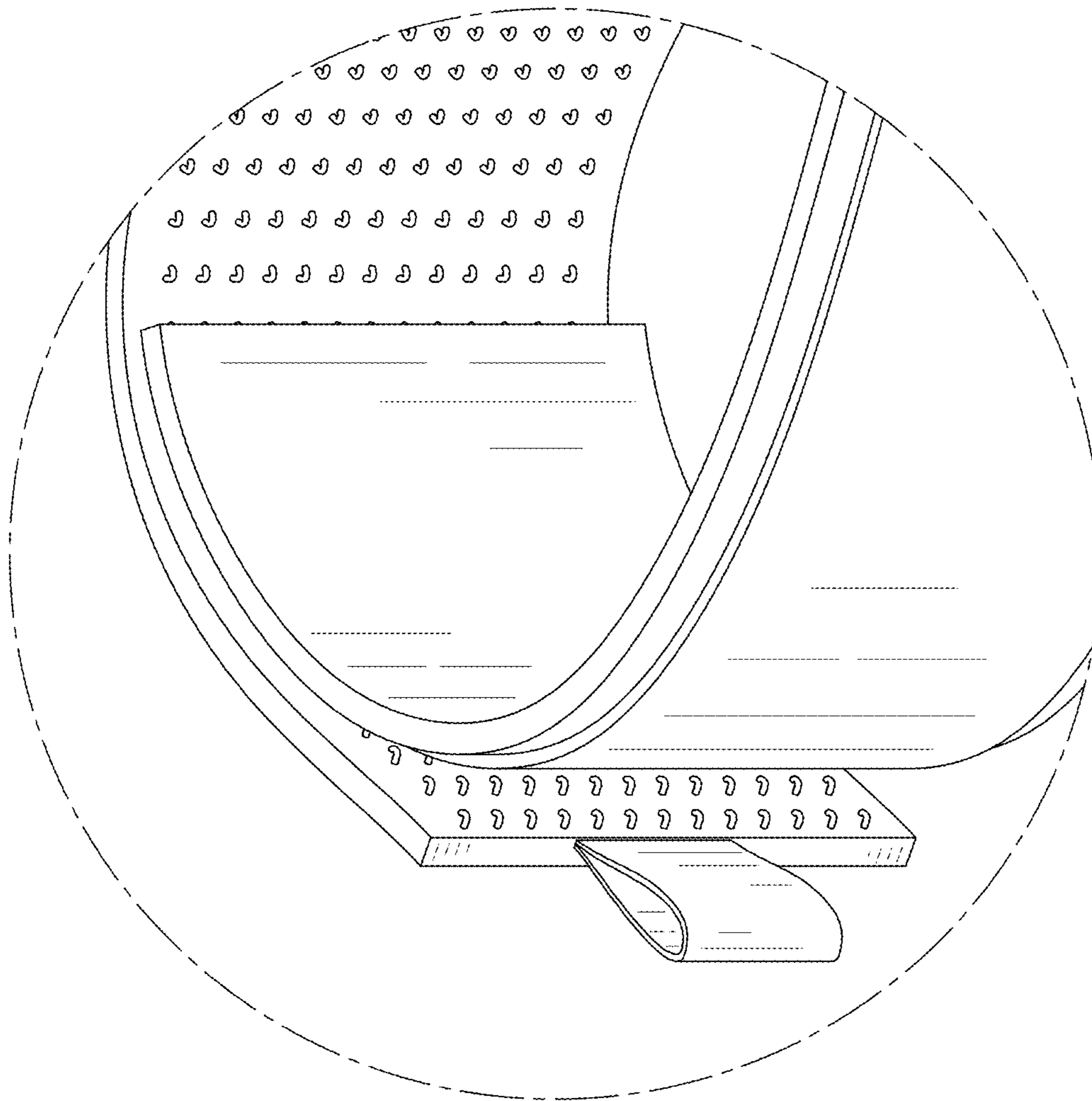


FIG. 10