



US00D929850S

(12) **United States Design Patent** (10) **Patent No.:** **US D929,850 S**
Xiang et al. (45) **Date of Patent:** **** Sep. 7, 2021**

(54) **LOCK ELEMENT**

Primary Examiner — Doris Clark

(71) Applicant: **Dezhao Xiang**, Shenzhen (CN)

(57) **CLAIM**

(72) Inventors: **Dezhao Xiang**, Shenzhen (CN); **Qiuzhi Yang**, Shenzhen (CN)

The ornamental design for a lock element, as shown and described.

(73) Assignee: **Dezhao Xiang**, Shenzhen (CN)

DESCRIPTION

(**) Term: **15 Years**

(21) Appl. No.: **29/717,966**

(22) Filed: **Dec. 20, 2019**

Related U.S. Application Data

(63) Continuation-in-part of application No. 29/664,843, filed on Sep. 28, 2018, now Pat. No. Des. 893,982.

(51) **LOC (13) Cl.** **11-05**

(52) **U.S. Cl.**
USPC **D8/353**

(58) **Field of Classification Search**
USPC D8/331, 343, 350, 353
CPC E05B 13/001; E05B 13/103; E05B 13/105;
E05B 9/002; E05B 9/02; E05B 9/04;
E05B 15/02; E05B 2015/1657
See application file for complete search history.

FIG. 1 is a top, front and right side perspective view of a first embodiment of a lock element showing our new design; FIG. 2 is a bottom, front and right side perspective view thereof; FIG. 3 is a front view thereof; FIG. 4 is a rear view thereof; FIG. 5 is a left side view thereof; FIG. 6 is a right side view thereof; FIG. 7 is a top view thereof; FIG. 8 is a bottom view thereof; FIG. 9 is a top, front and right side perspective view of the lock element of FIG. 1 shown mounted to a portion of a door; FIG. 10 is a top, front and right side perspective view of a second embodiment of a lock element showing our new design; FIG. 11 is a bottom, rear and left side perspective view thereof; FIG. 12 is a front view thereof; FIG. 13 is a rear view thereof; FIG. 14 is a left side view thereof; FIG. 15 is a right side view thereof; FIG. 16 is a top view thereof; FIG. 17 is a bottom view thereof; and, FIG. 18 is a top, front and right side perspective view of the lock element of FIG. 10 shown mounted to a portion of a door.
The broken lines in the drawings illustrate portions of the lock element or environmental subject matter which form no part of the claimed design.

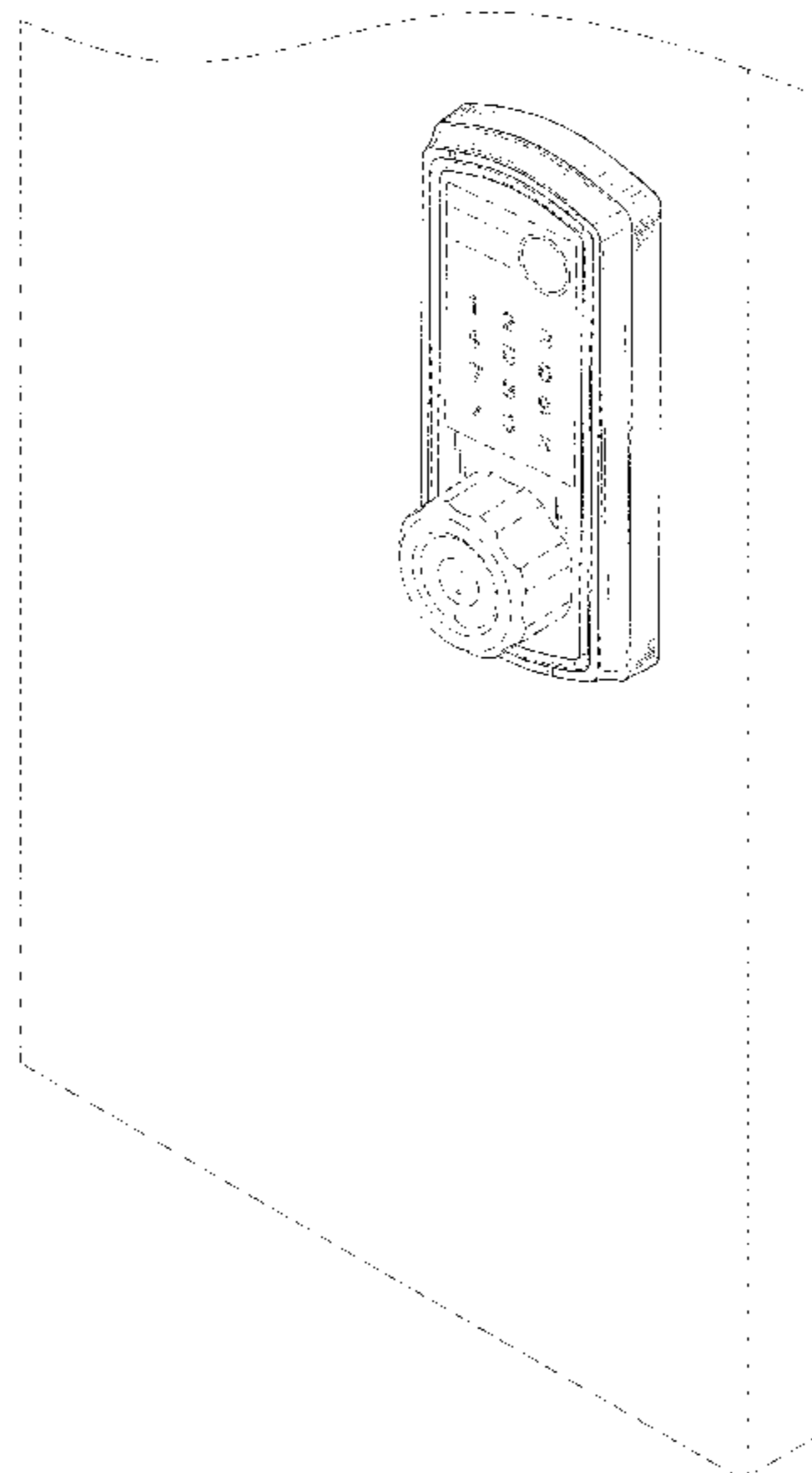
(56) **References Cited**

U.S. PATENT DOCUMENTS

- D588,439 S * 3/2009 Lin H04L 12/2818
D8/330
- D733,522 S * 7/2015 Kim D8/331
- D736,590 S * 8/2015 Roberts, III E05B 47/00
D8/330
- D737,118 S * 8/2015 Chan D8/350
- D756,749 S * 5/2016 Lu D8/353
- D766,070 S * 9/2016 Ruoff D8/353
- 9,528,299 B2 * 12/2016 Yoon E05B 55/00
- 9,771,737 B1 * 9/2017 Rais E05B 19/0005
D8/350

(Continued)

1 Claim, 18 Drawing Sheets



(56)

References Cited

U.S. PATENT DOCUMENTS

D879,588 S * 3/2020 Singtoroj D8/350

* cited by examiner

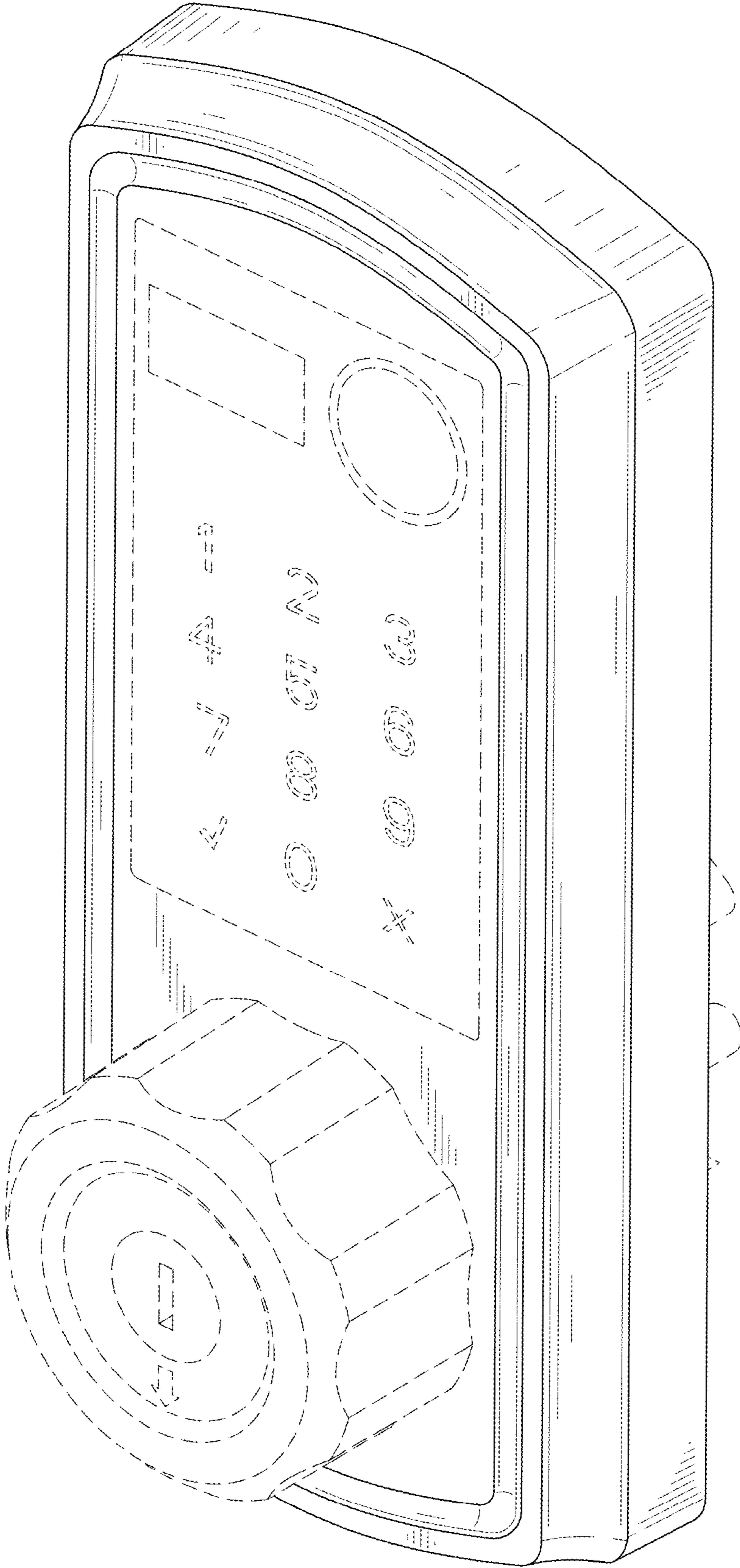


FIG. 1

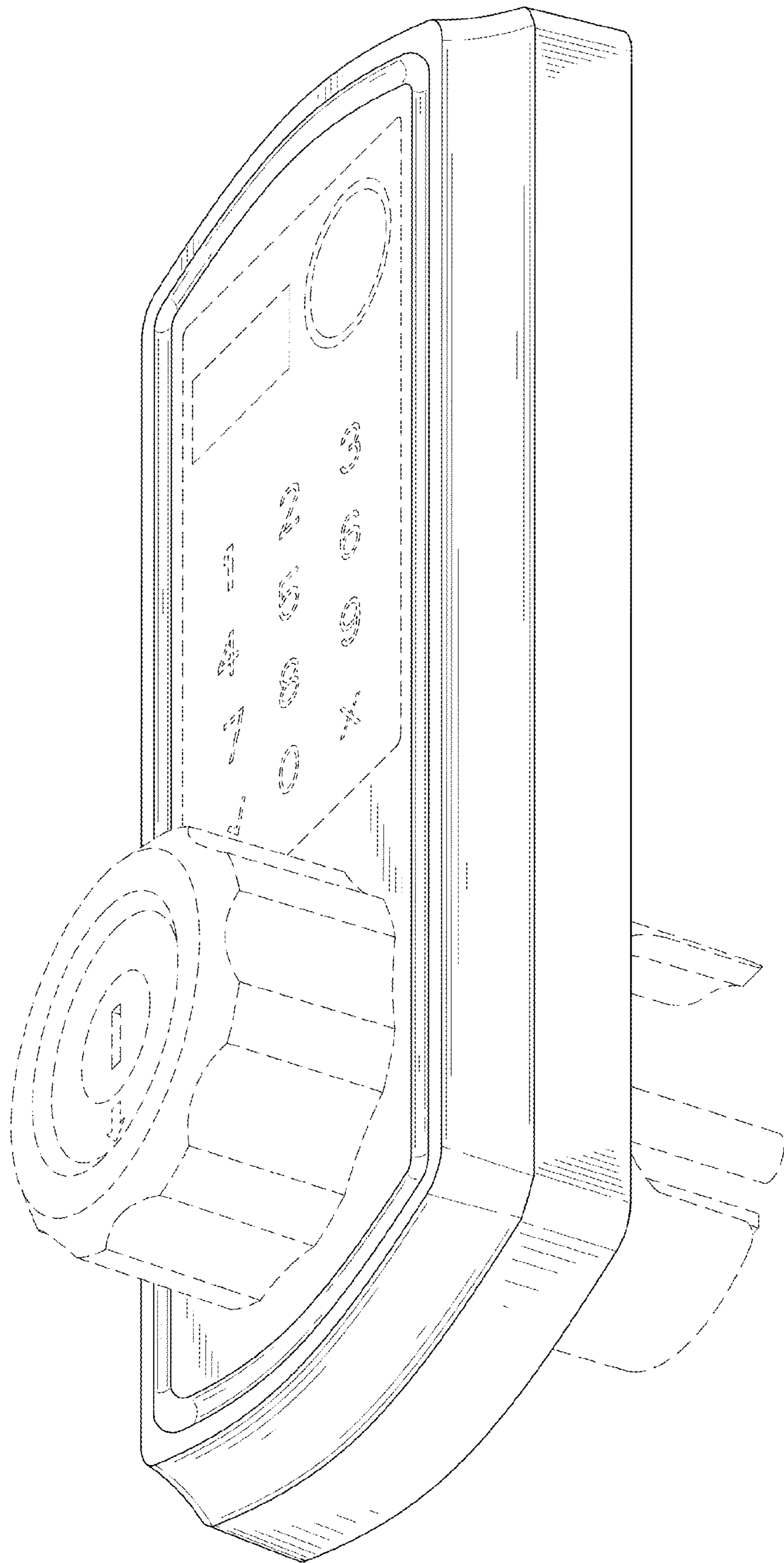


FIG. 2

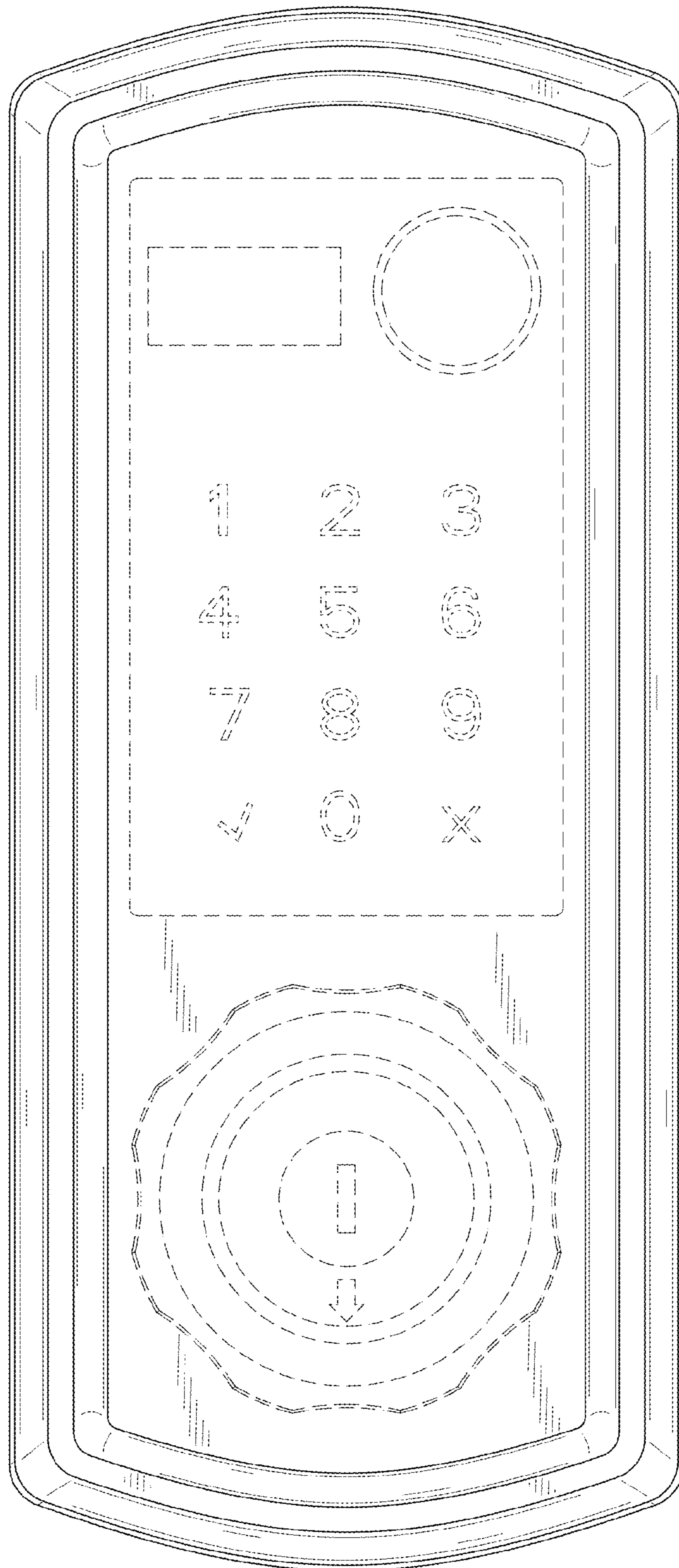


FIG. 3

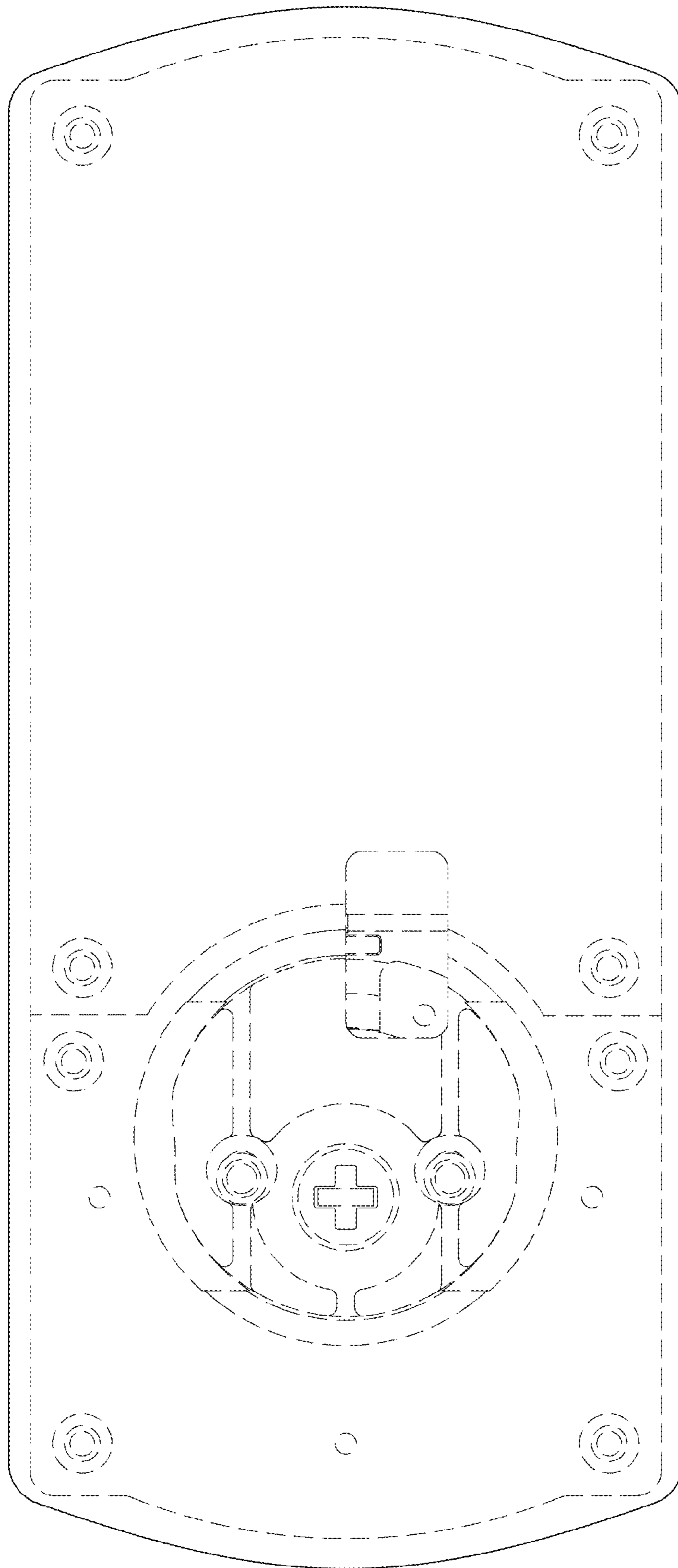


FIG. 4

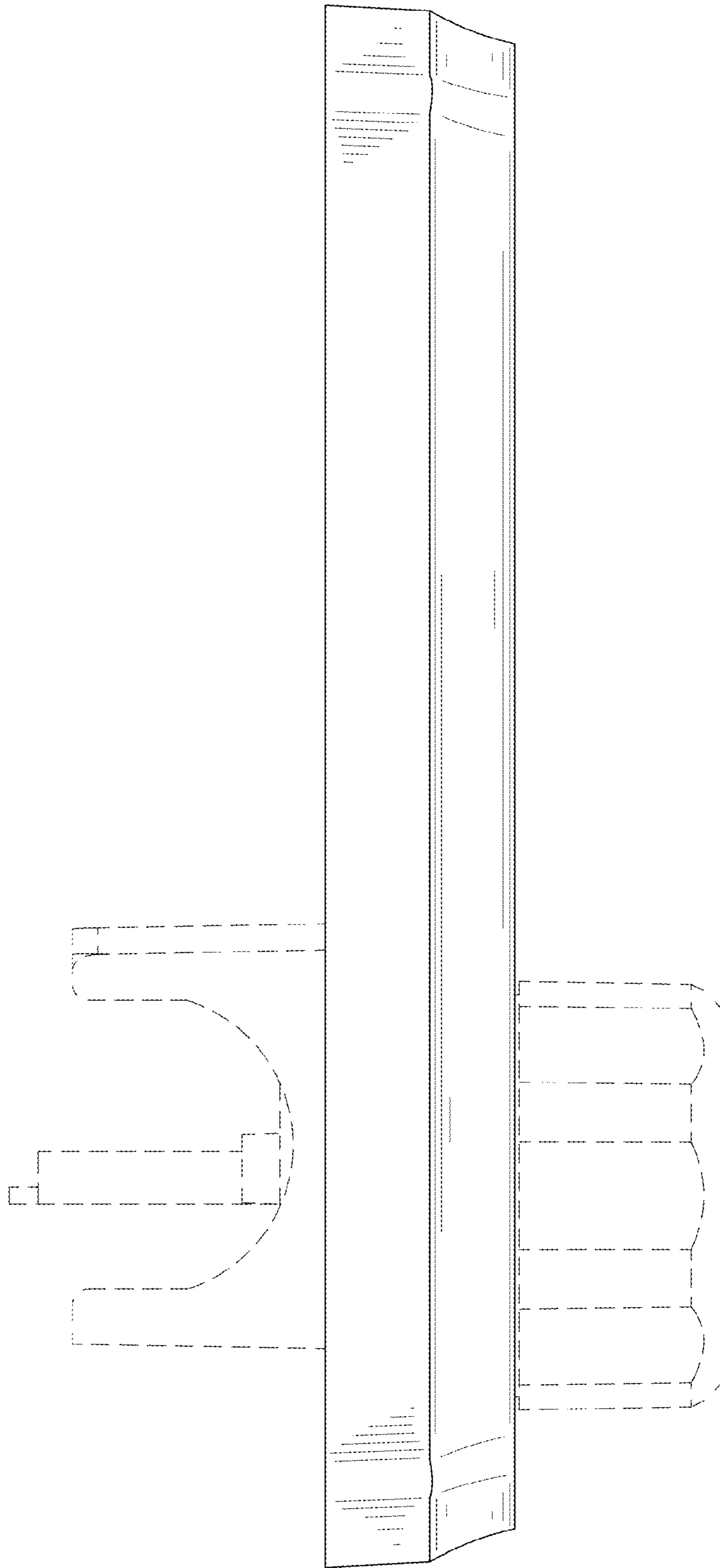


FIG. 5

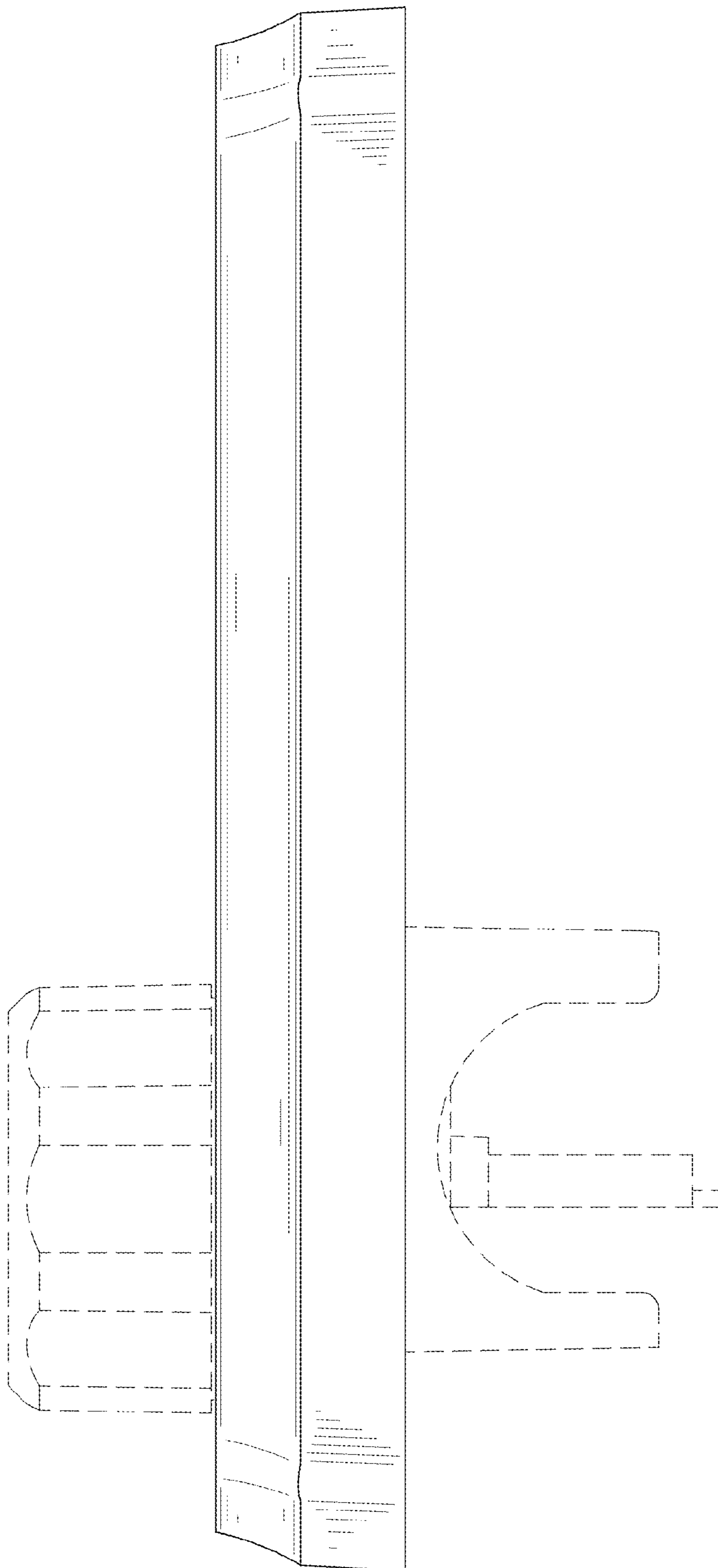


FIG. 6

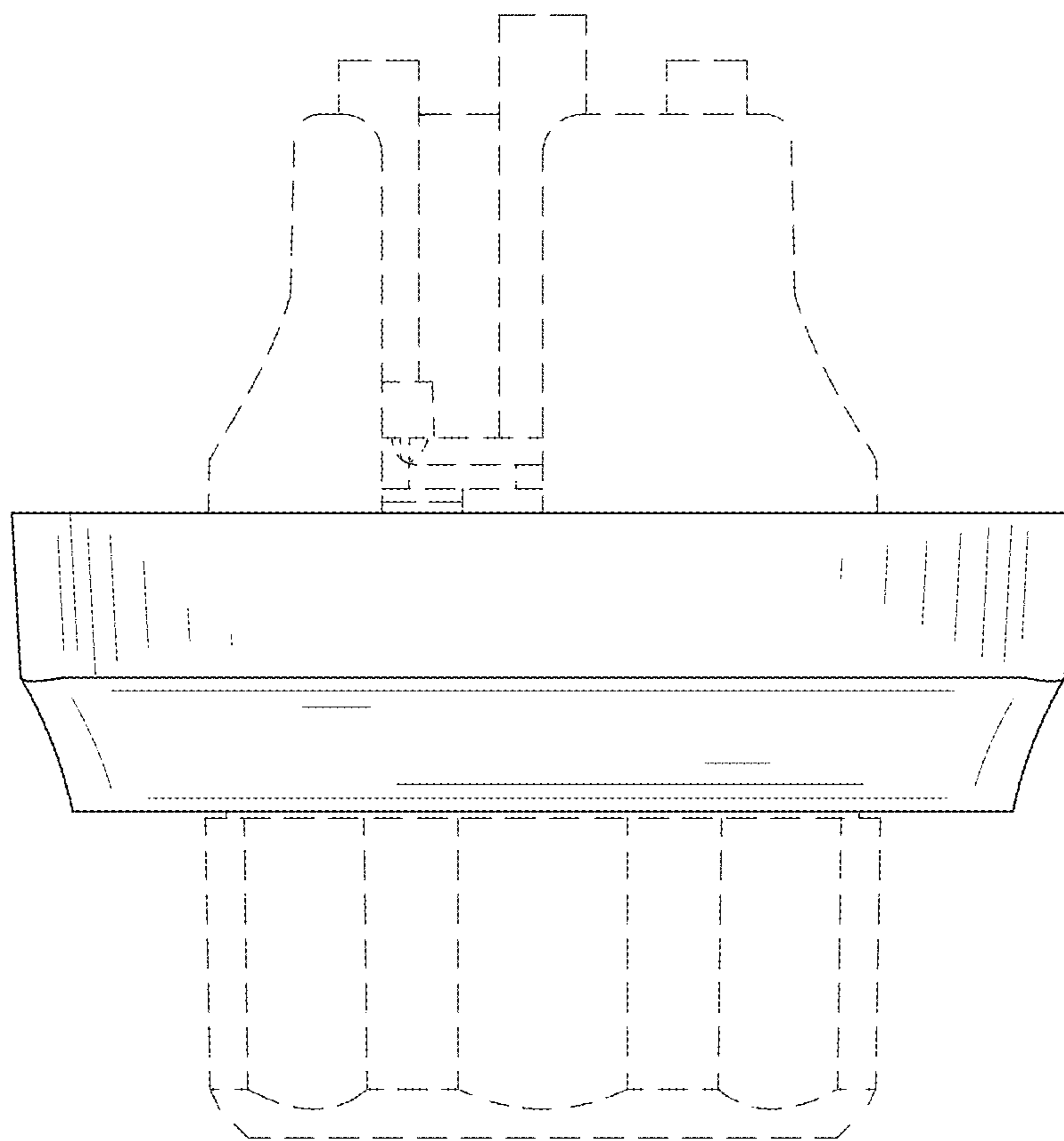


FIG. 7

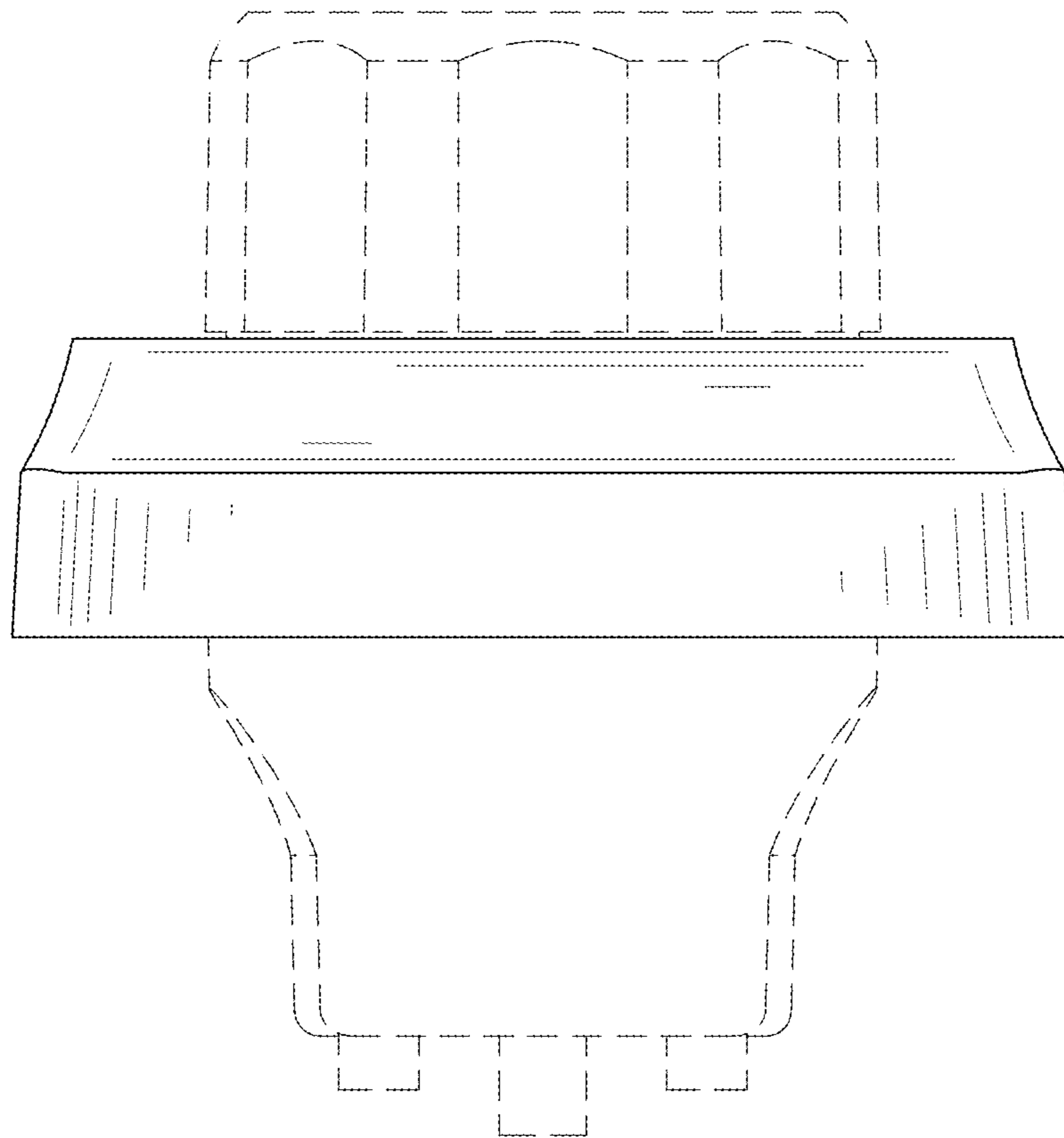


FIG. 8

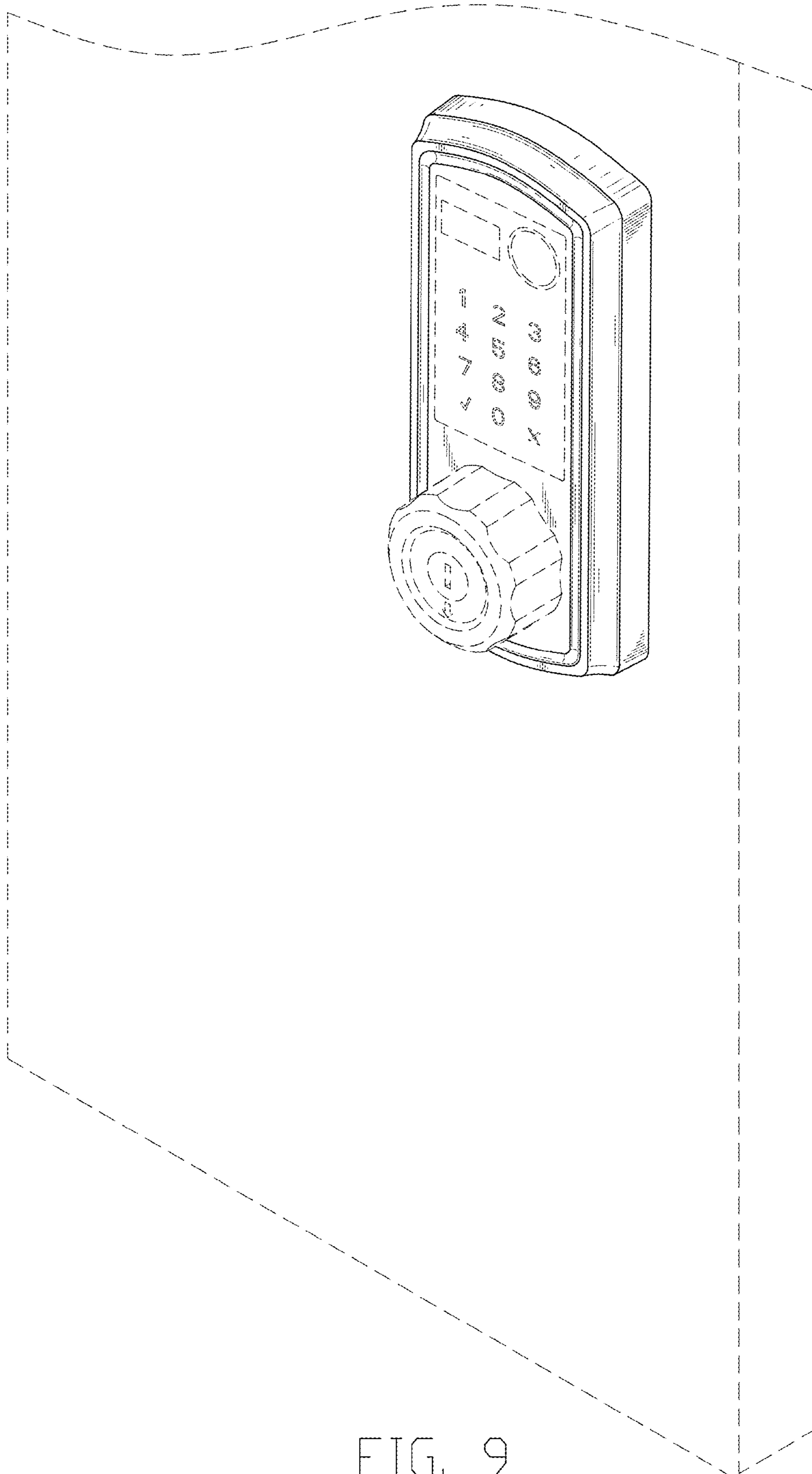


FIG. 9

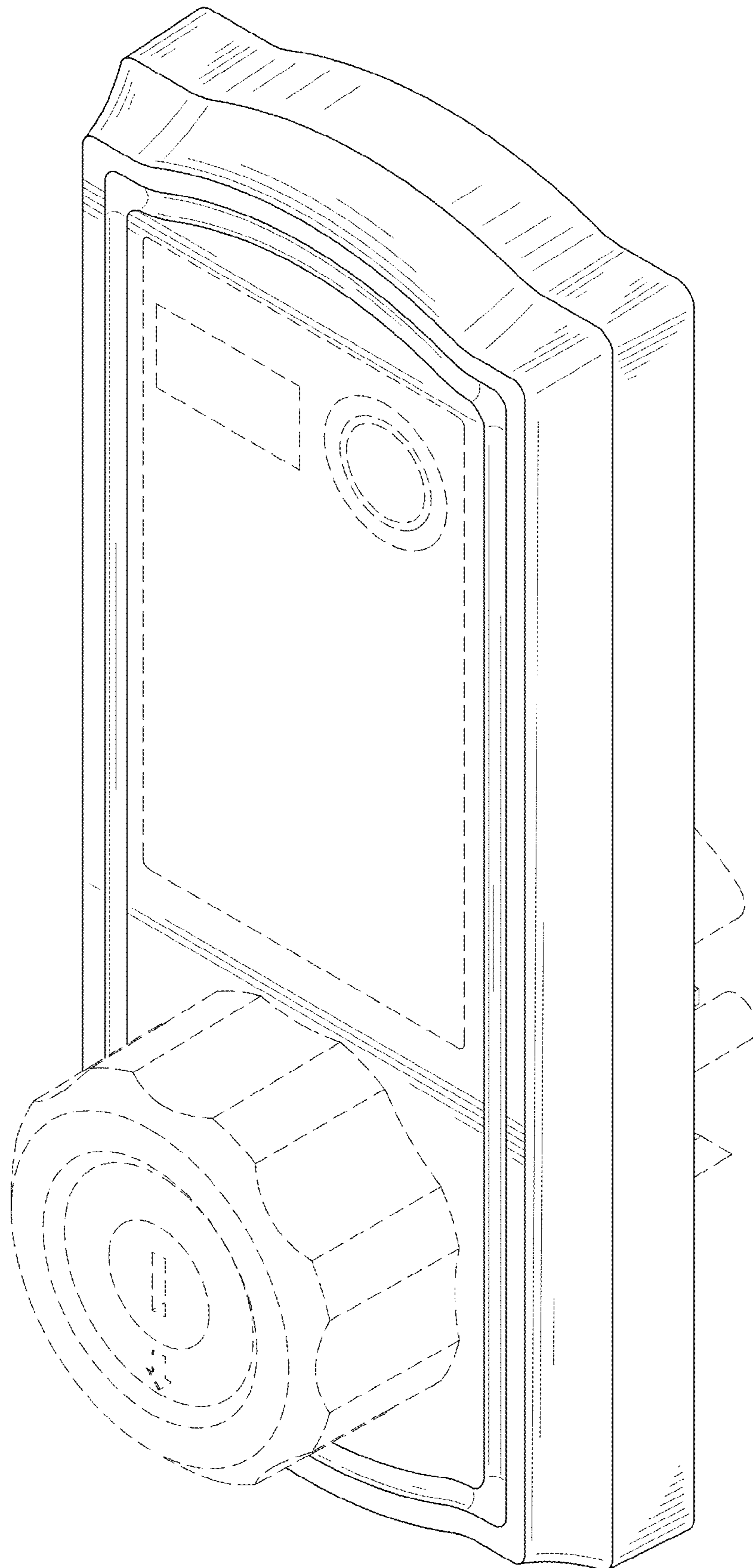


FIG. 10

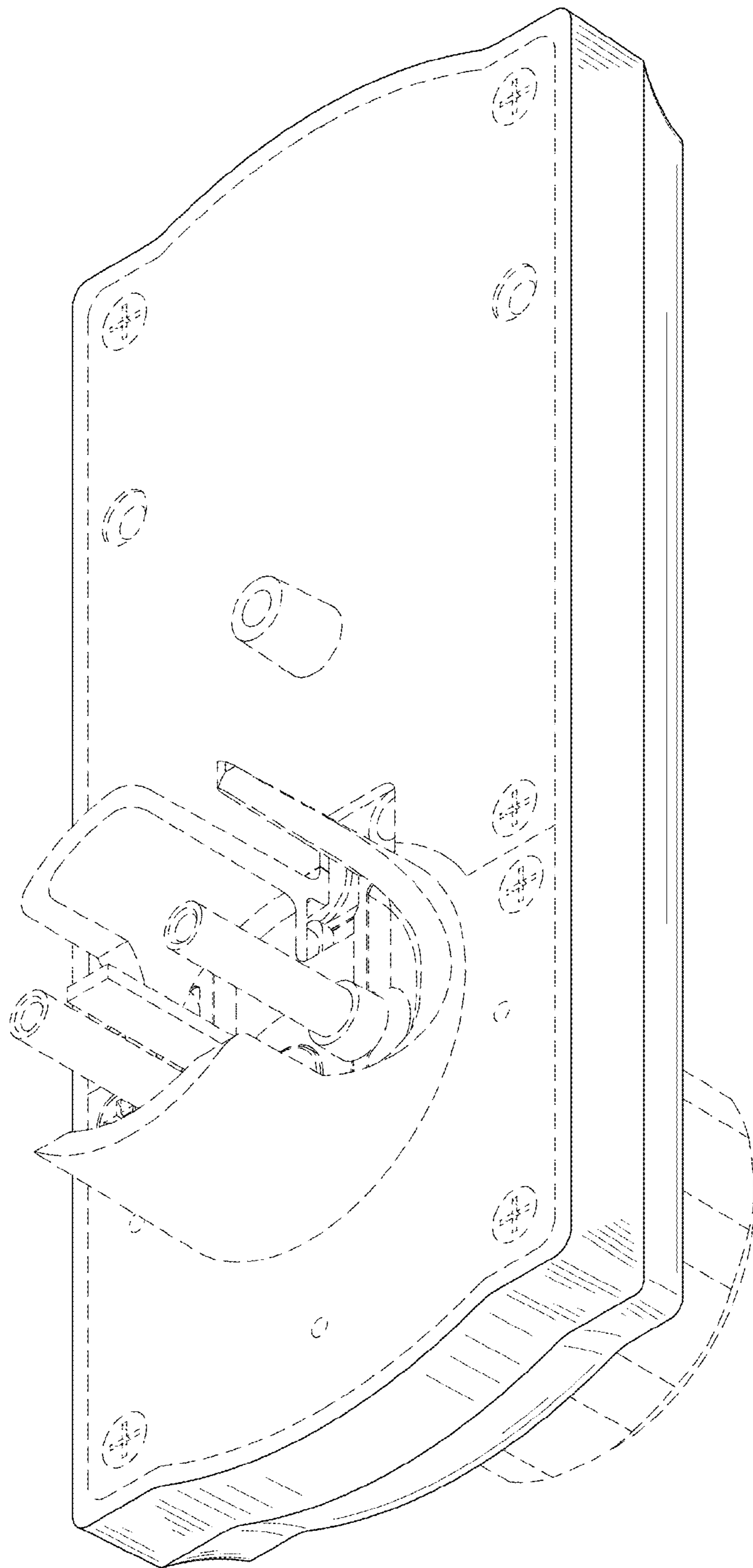


FIG. 11

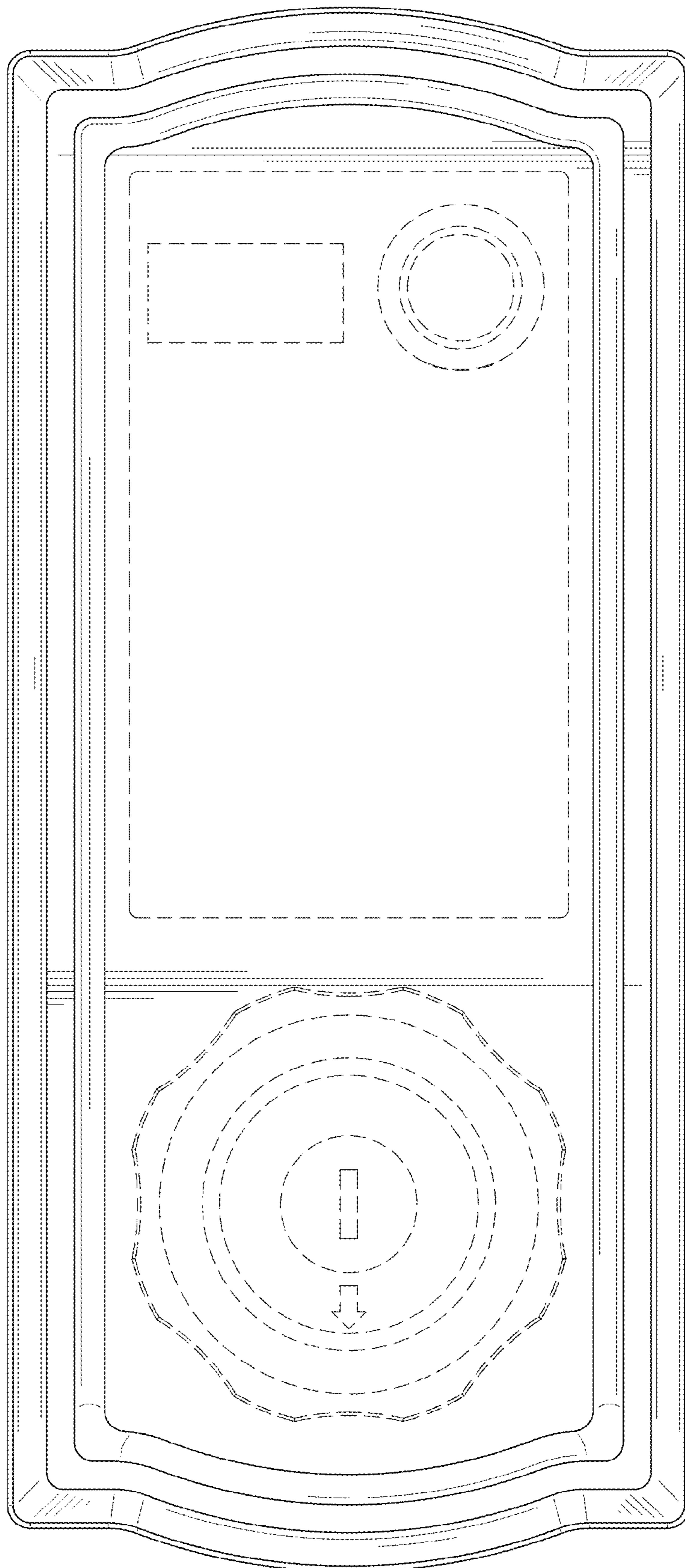


FIG. 12

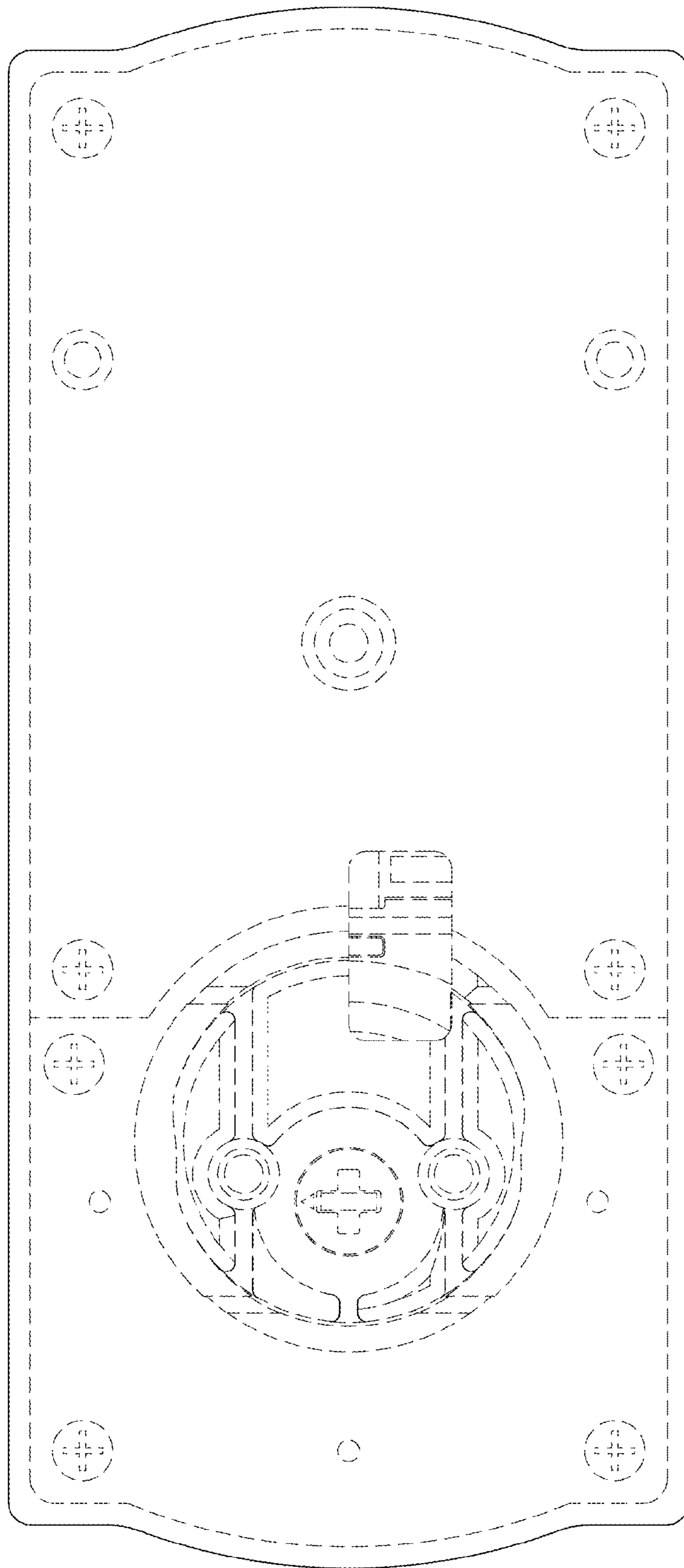


FIG. 13

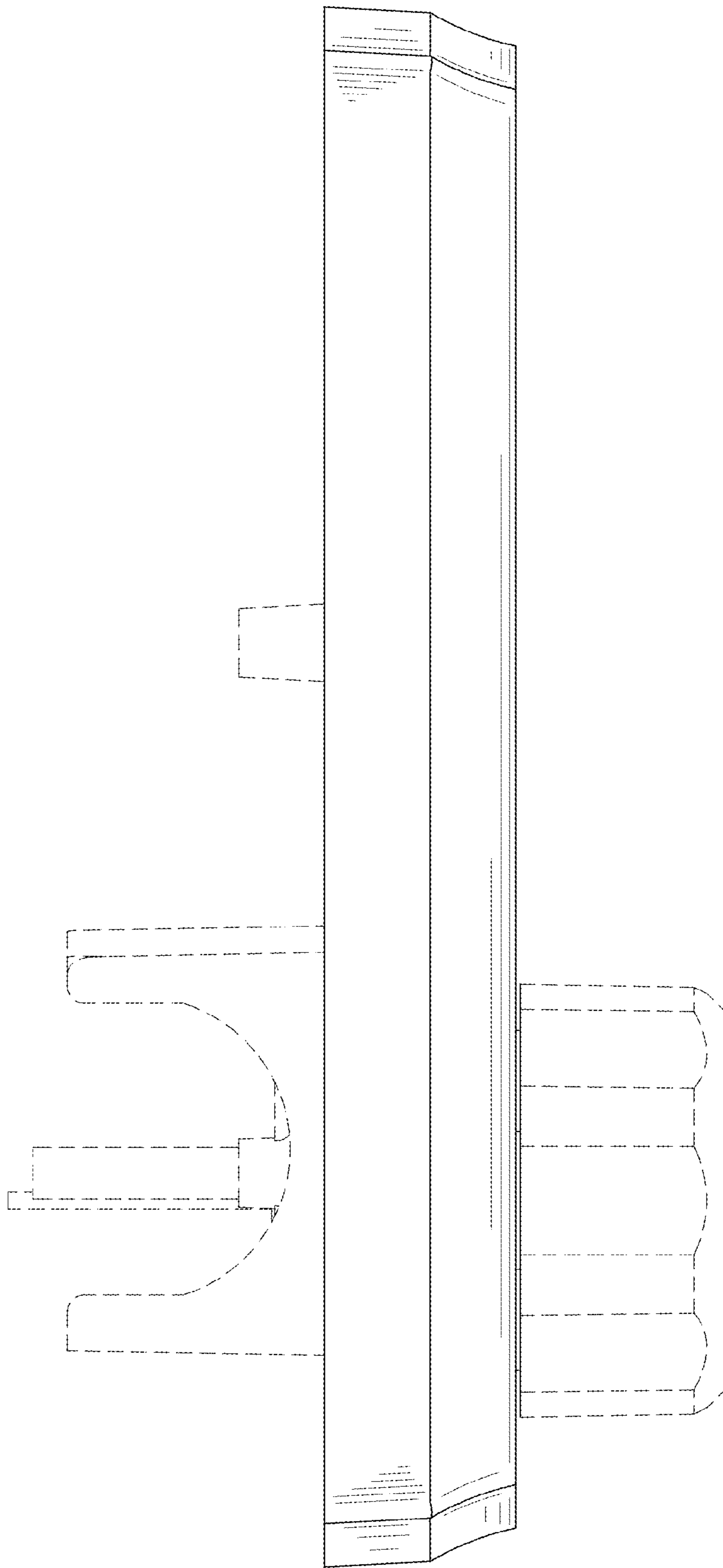


FIG. 14

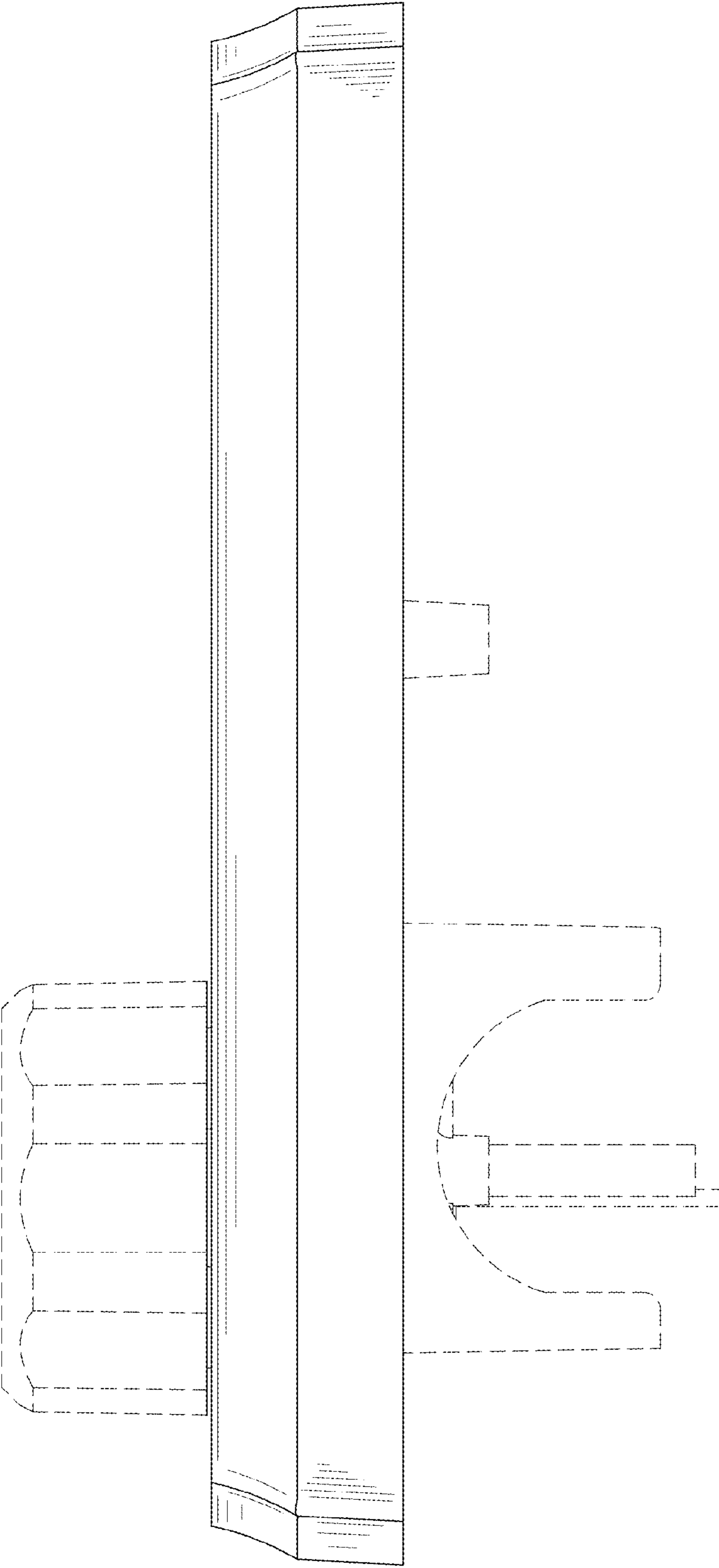


FIG. 15

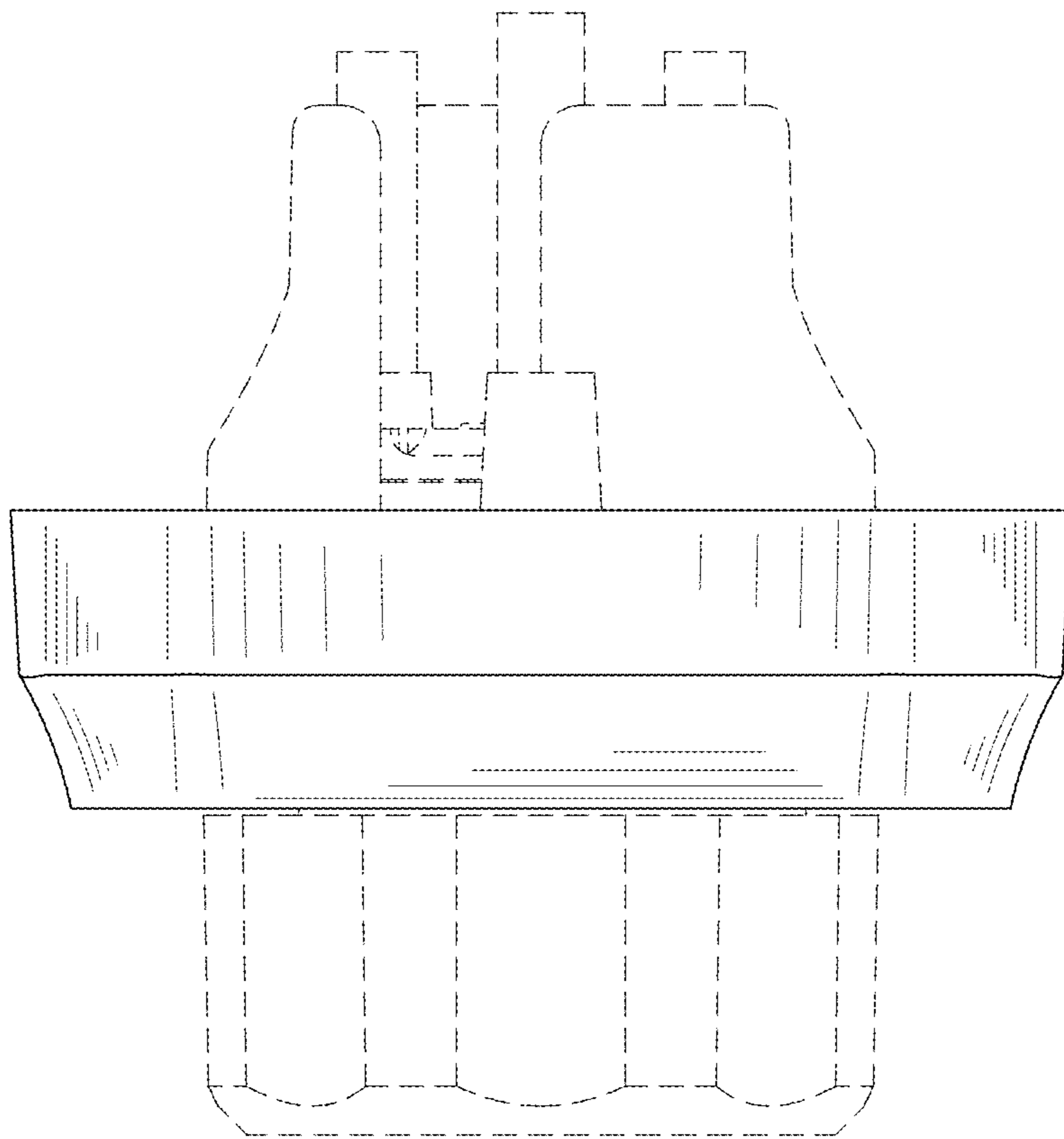


FIG. 16

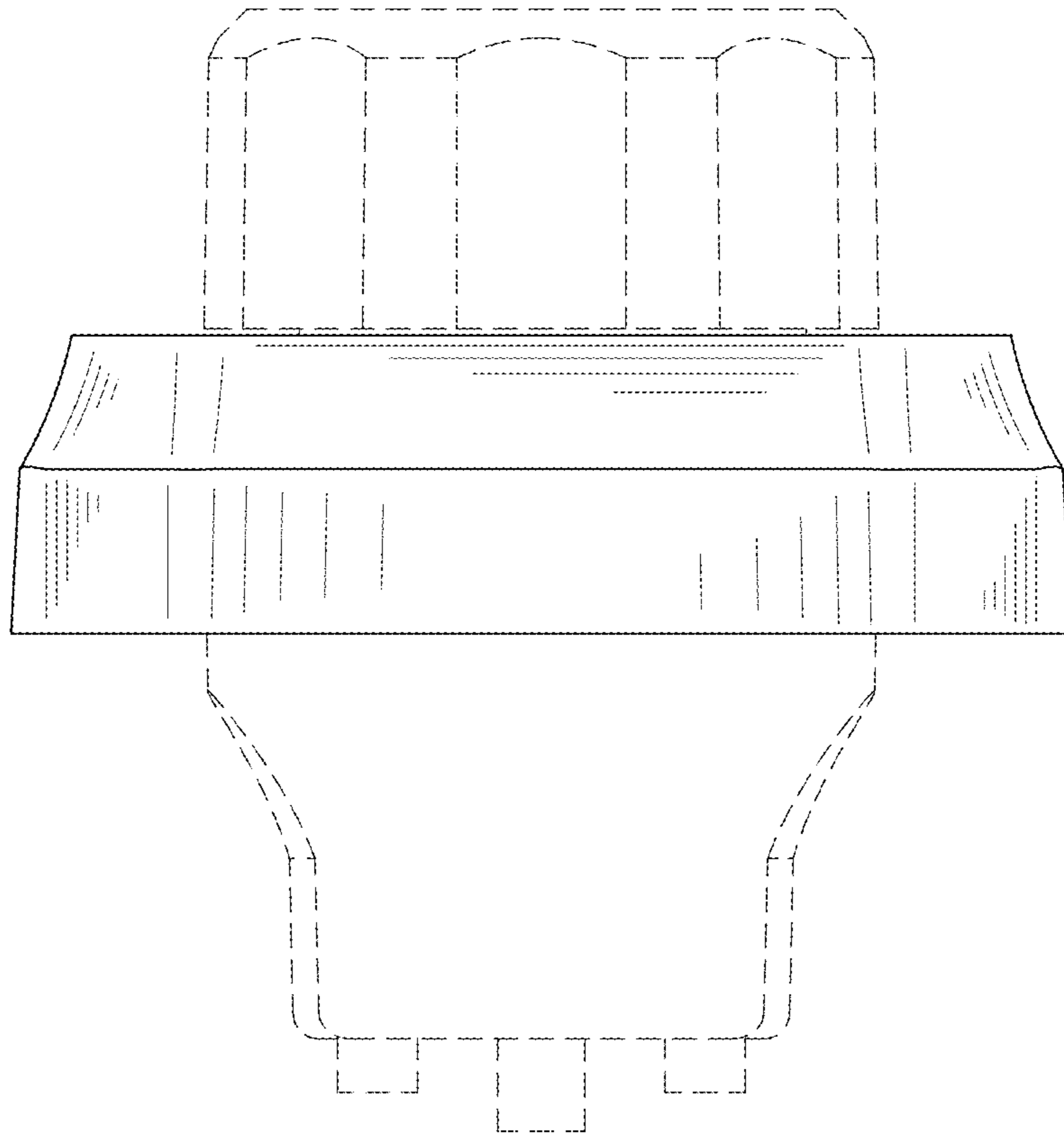


FIG. 17

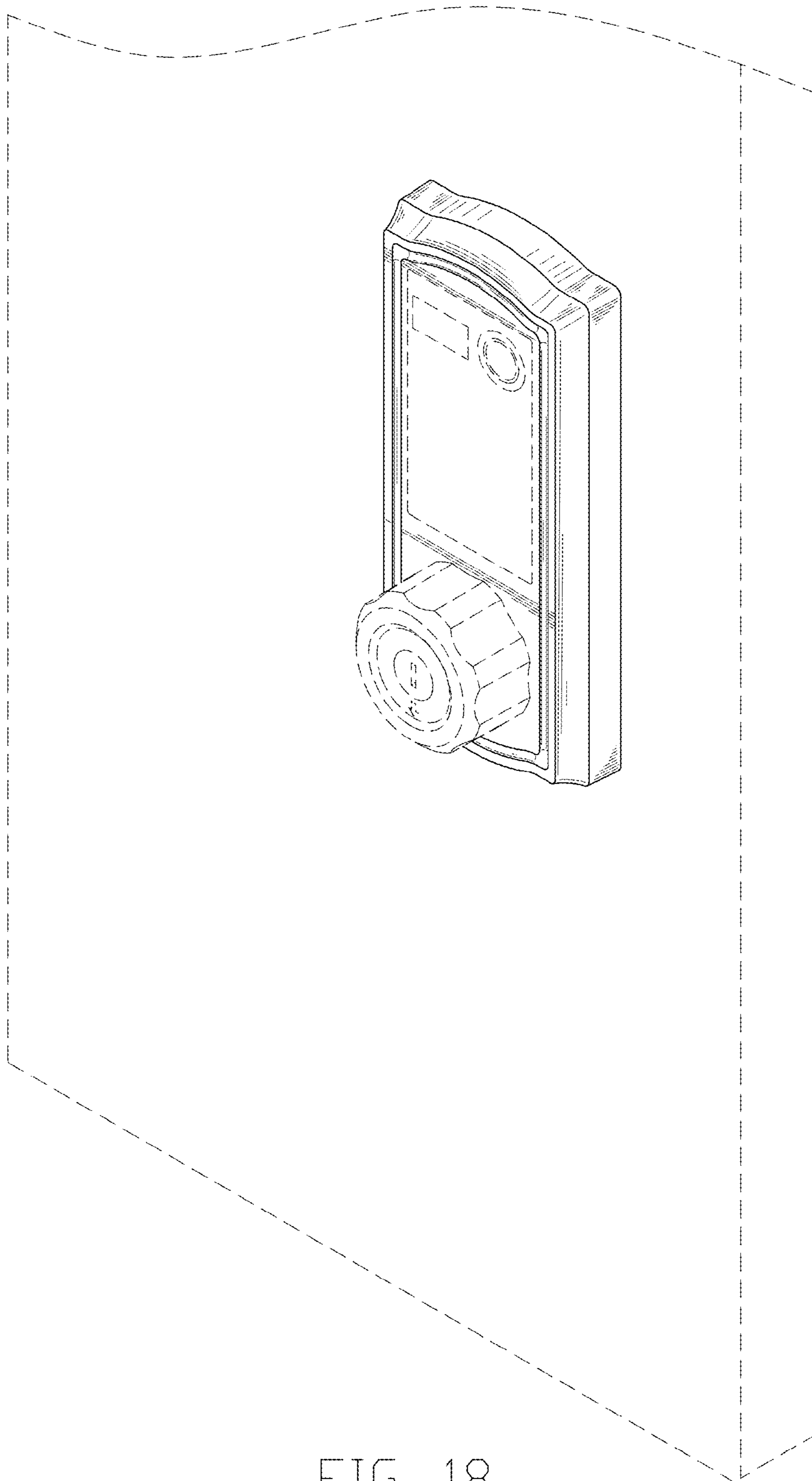


FIG. 18