



US00D929846S

(12) **United States Design Patent** (10) **Patent No.:** **US D929,846 S**  
**Clinton et al.** (45) **Date of Patent:** **\*\* Sep. 7, 2021**

(54) **LOCK UNIT**

(71) Applicant: **AUTOMATIC TECHNOLOGY (AUSTRALIA) PTY LTD,**  
Keysborough (AU)

(72) Inventors: **Kane Clinton,** Keysborough (AU);  
**Raymond Hawkins,** Keysborough (AU)

(73) Assignee: **AUTOMATIC TECHNOLOGY (AUSTRALIA) PTY LTD,**  
Keysborough (AU)

(\*\*) Term: **15 Years**

(21) Appl. No.: **29/682,571**

(22) Filed: **Mar. 6, 2019**

(30) **Foreign Application Priority Data**

Sep. 7, 2018 (AU) ..... 201815422

(51) **LOC (13) Cl.** ..... **08-07**

(52) **U.S. Cl.**  
USPC ..... **D8/330; D8/331**

(58) **Field of Classification Search**  
USPC ..... D8/232-334, 336-350; 292/341, 341.1,  
292/340, 344, 343, 180  
CPC ..... G07C 9/00571; G07C 9/00674; G07C  
9/00309; Y10T 292/53; Y10T 16/458;  
Y10T 292/68; Y10T 292/0803; Y10T  
292/0848; Y10T 70/5199; H04N 7/147;  
H04N 7/186; H04N 5/232411; H05K  
1/144; E05B 3/00; E05B 15/00; E05B  
9/00; E05B 63/04; E05B 15/101; E05B  
1/003; E05B 65/0811; E05B 17/18; E05B  
83/00

See application file for complete search history.

(56) **References Cited**

U.S. PATENT DOCUMENTS

6,168,215 B1 \* 1/2001 Kodama ..... E05B 81/06  
292/201  
D637,471 S \* 5/2011 Roy ..... D8/330  
D763,058 S \* 8/2016 Soper ..... D8/330  
D793,842 S \* 8/2017 van der Rest ..... D8/346  
D829,078 S \* 9/2018 Orand ..... D8/333  
D851,478 S \* 6/2019 Huang ..... D8/331  
D867,121 S \* 11/2019 Zalme ..... D8/394  
D896,615 S \* 9/2020 Bhanpurawala ..... D8/346  
D897,817 S \* 10/2020 Tien ..... D8/331  
2010/0251787 A1 \* 10/2010 Dayanikli ..... E05B 47/0603  
70/277  
2018/0363328 A1 \* 12/2018 Huang ..... E05B 65/0014  
(Continued)

OTHER PUBLICATIONS

Automatic Technology, Enhancing Security, Safetyy and Convenience, Our Accessories Will Complete Your Automation Solution , Date first available 2013, [online]retrieved Dec. 7, 2020, available from internet, <https://www.ata-aust.com.au/getattachment/b0428060-0811-4e20-a6e3-fb6724792b27/Brochure.aspx> (Year: 2013).\*

(Continued)

*Primary Examiner* — Keli L Hill

*Assistant Examiner* — Sara S Sahneh

(74) *Attorney, Agent, or Firm* — Sheridan Ross P.C.

(57) **CLAIM**

The ornamental design for a lock unit, as shown and described.

**DESCRIPTION**

FIG. 1 is a perspective view of the lock unit;  
FIG. 2 is a top view of the lock unit;  
FIG. 3 is a left side view of the lock unit;  
FIG. 4 is a right side view of the lock unit;

(Continued)

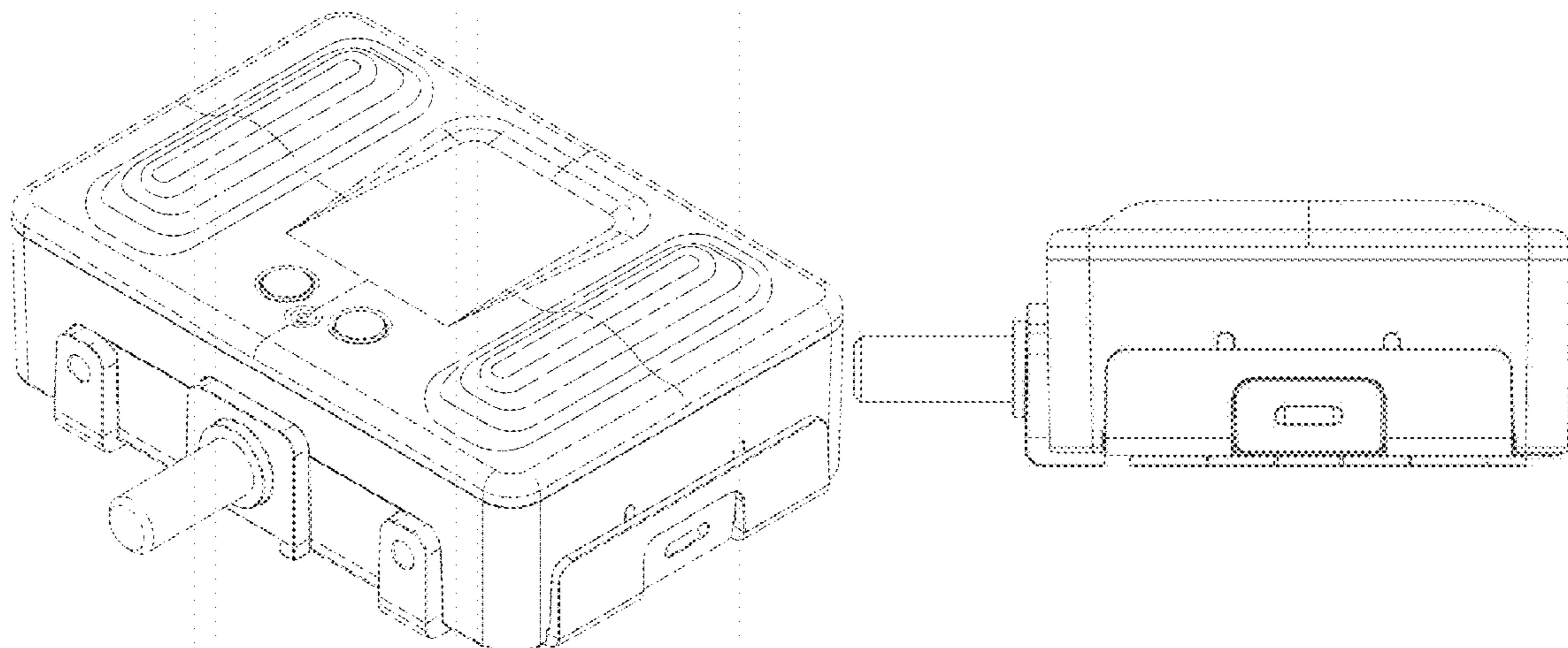


FIG. 5 is a rear view of the lock unit; and,  
FIG. 6 is a front view of the lock unit.

**1 Claim, 3 Drawing Sheets**

(56)

**References Cited**

U.S. PATENT DOCUMENTS

2019/0383061 A1\* 12/2019 Shen ..... E05B 47/0012  
2020/0131809 A1\* 4/2020 Almodovar ..... E05B 81/62

OTHER PUBLICATIONS

TCK Tech, Safety Sensor Eyes for 41A5034 Liftmaster Sears Chamberlain Craftsman Garage Door Opener, Date first available May 8, 2019, [online]retrieved Dec. 7, 2020, available from internet, [https://www.amazon.com/Safety-41A5034-Liftmaster-Chamberlain-Craftsman/dp/B07RL842RV/ref=sr\\_1\\_3\\_sspa?dchild=1&ke](https://www.amazon.com/Safety-41A5034-Liftmaster-Chamberlain-Craftsman/dp/B07RL842RV/ref=sr_1_3_sspa?dchild=1&ke) (Year: 2019).\*

LiftMaster Store, Liftmaster 841LM Automatic Garage Door Lock, Date first available Aug. 5, 2017, [online]retrieved Dec. 7, 2020, available from internet, [https://www.amazon.com/Liftmaster-841LM-Automatic-Garage-Door/dp/B074L9JQQR/ref=pd\\_di\\_sccai\\_88?\\_encoding](https://www.amazon.com/Liftmaster-841LM-Automatic-Garage-Door/dp/B074L9JQQR/ref=pd_di_sccai_88?_encoding) (Year: 2017).\*

\* cited by examiner

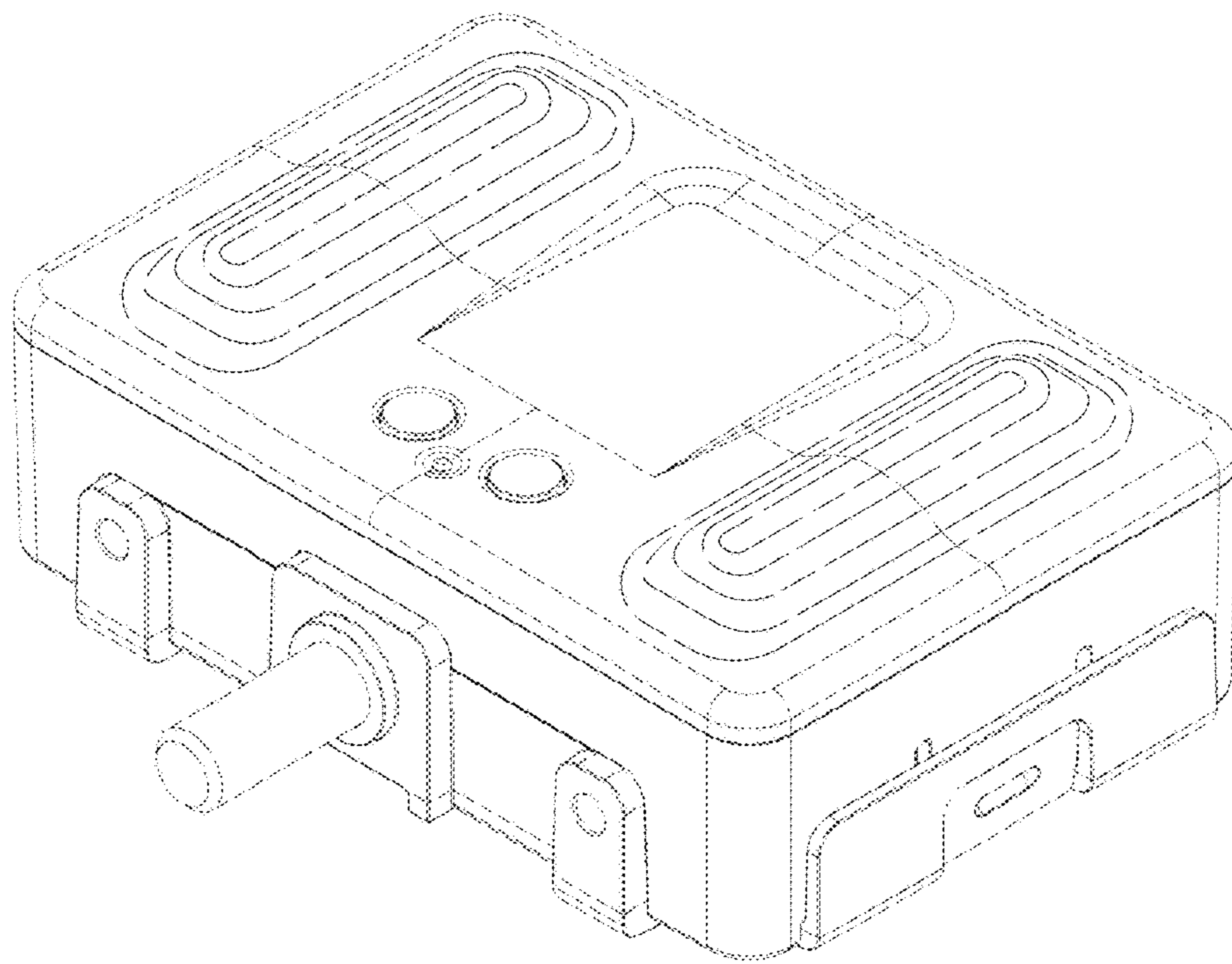


FIG. 1

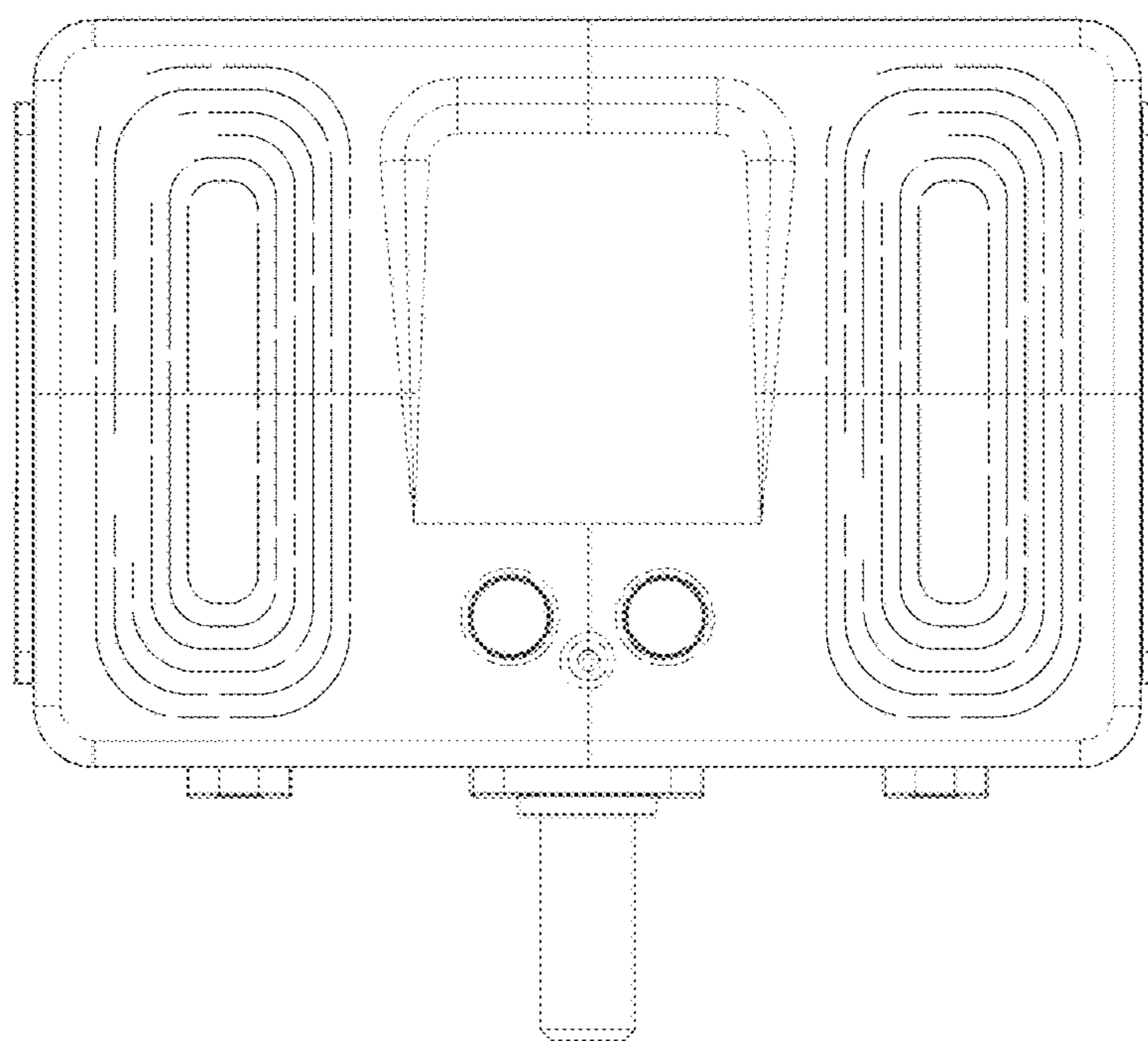


FIG. 2

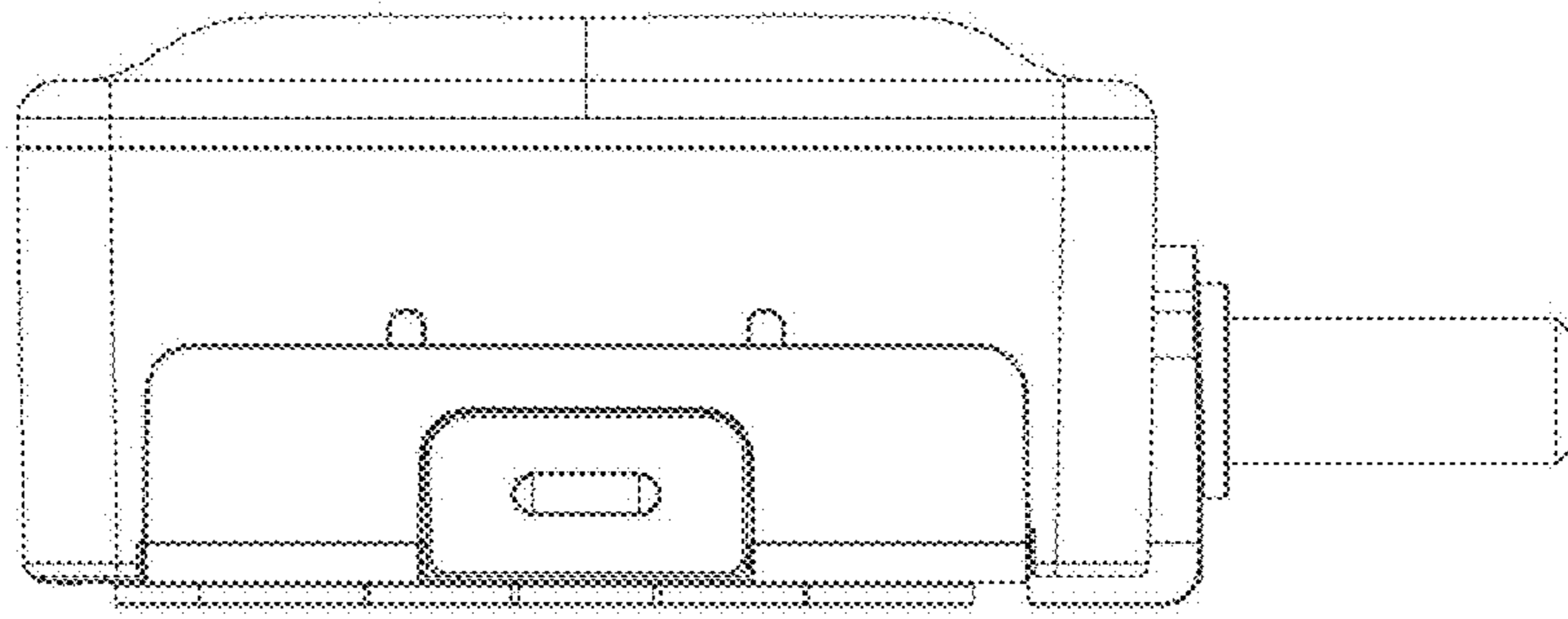


FIG. 3

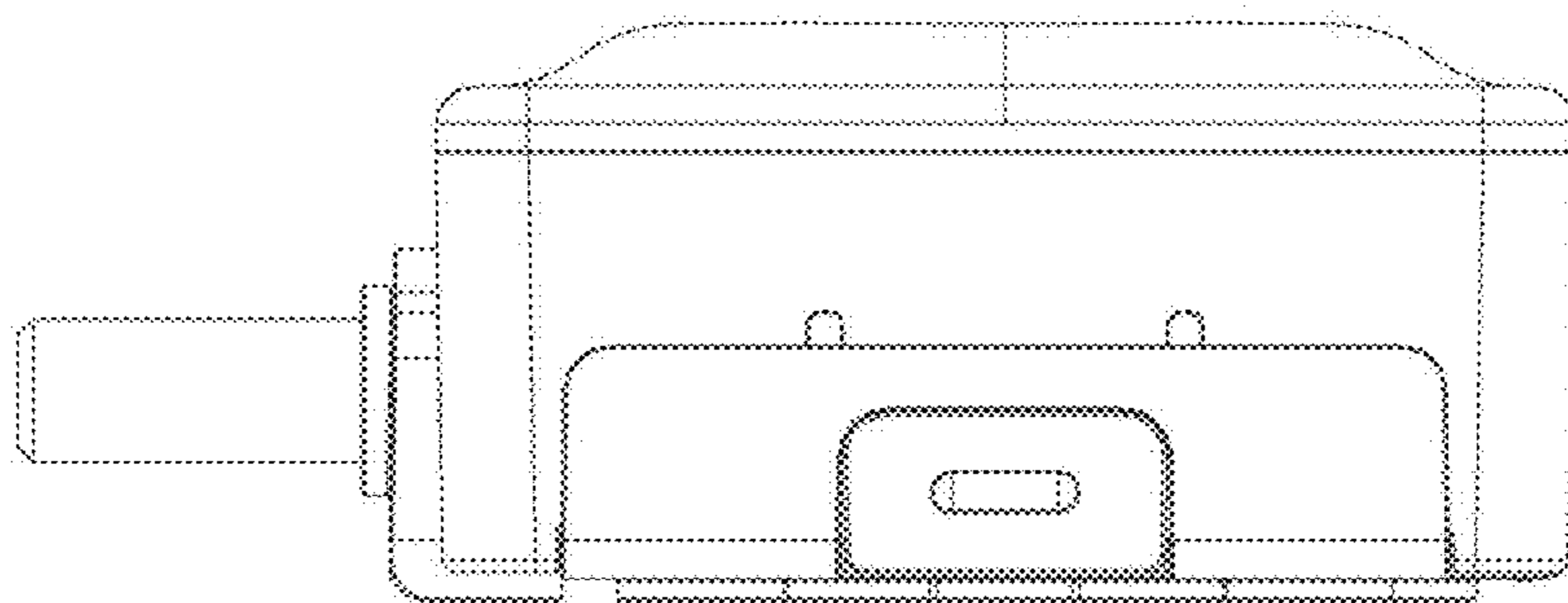


FIG. 4

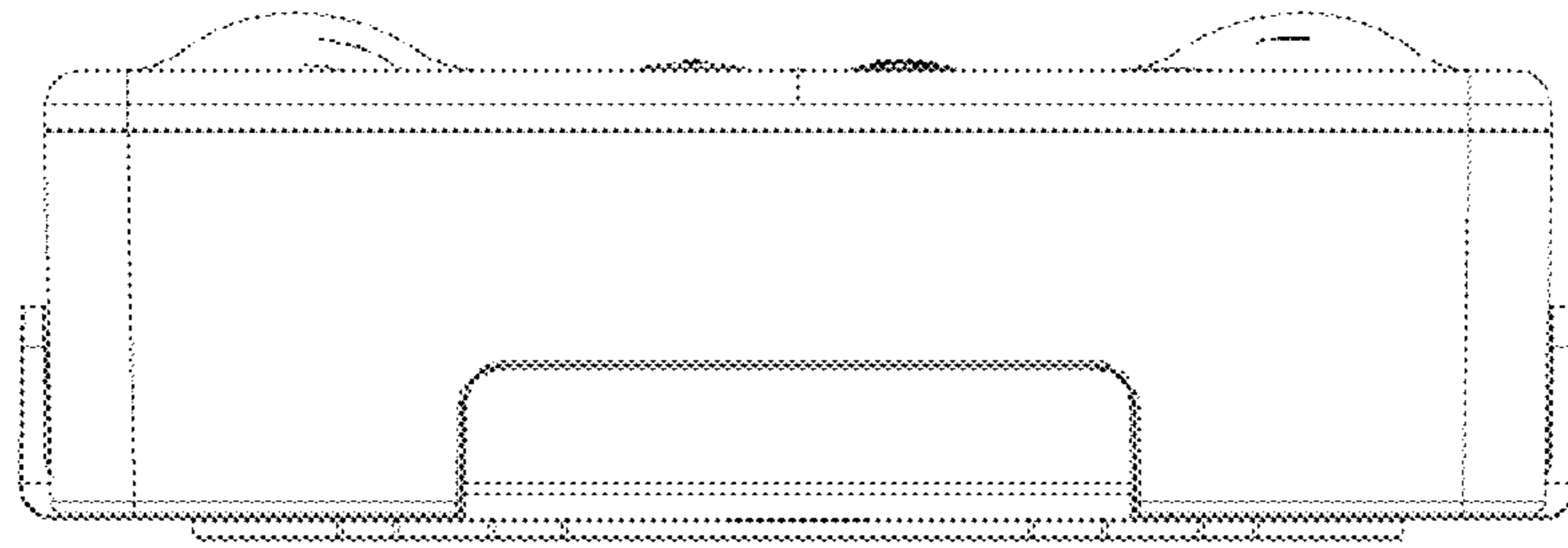


FIG. 5

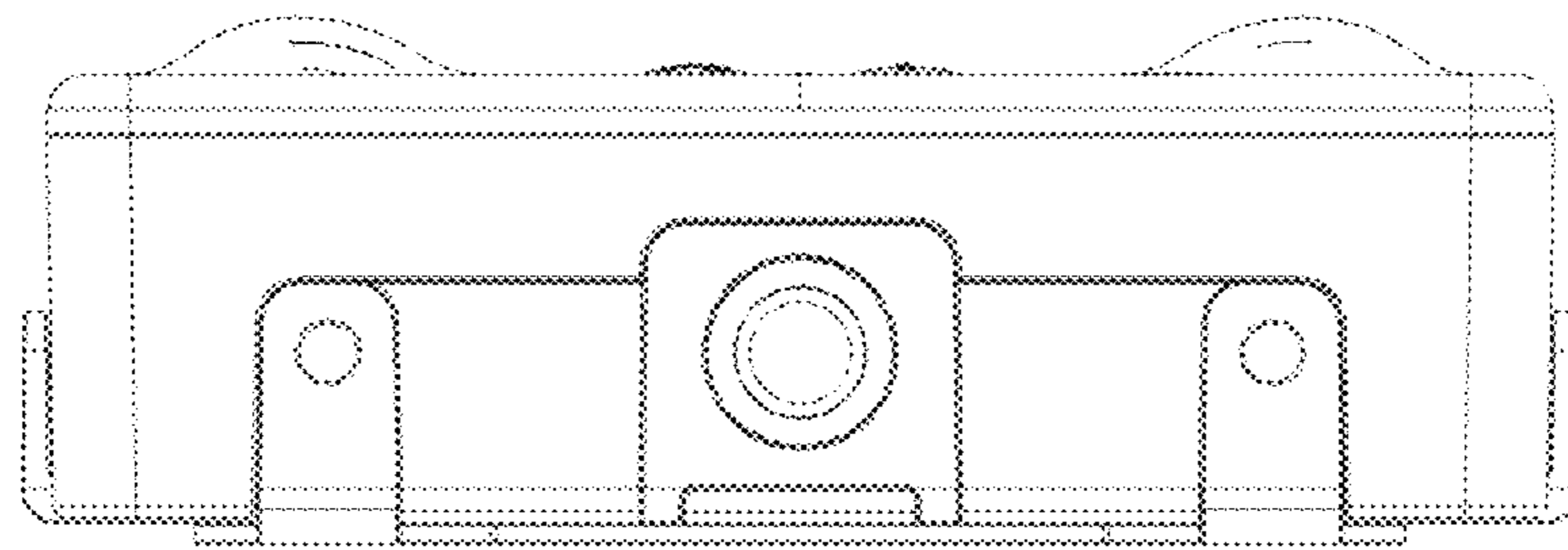


FIG. 6