



US00D929844S

(12) **United States Design Patent** (10) **Patent No.:** **US D929,844 S**
Marks et al. (45) **Date of Patent:** **** Sep. 7, 2021**

(54) **DOOR HANDLE**
(71) Applicants: **John Marks**, River Falls, WI (US);
Anthony Danna, River Falls, WI (US)
(72) Inventors: **John Marks**, River Falls, WI (US);
Anthony Danna, River Falls, WI (US)
(73) Assignee: **T.W. Vending, Inc., et. al**, River Falls,
WI (US)

(**) Term: **15 Years**

(21) Appl. No.: **29/735,209**

(22) Filed: **May 19, 2020**

(51) **LOC (13) Cl.** **08-06**

(52) **U.S. Cl.**
USPC **D8/307; D8/300**

(58) **Field of Classification Search**
USPC D8/300-302, 307, 308, 331, 343, 363,
D8/367, 371, 394, 395, 398
CPC Y10T 74/20612; Y10T 74/2014; Y10T
74/20696; Y10T 74/20396; Y10T 74/206;
Y10T 74/20618; Y10T 74/19251; Y10T
74/2011; Y10T 29/49826; Y10T
74/20213; Y10T 74/20822; Y10T 16/459;
Y10S 292/27; Y10S 292/53; E05Y
2201/244; E05Y 2400/86; E05F 11/54;
E05F 15/616; E05B 1/0053; E05B
1/0015; E05B 1/0069

See application file for complete search history.

(56) **References Cited**

U.S. PATENT DOCUMENTS

4,039,131 A * 8/1977 Perrault F16L 3/08
248/73
D281,575 S * 12/1985 Chap D6/325

4,817,239 A * 4/1989 Campbell E05B 1/0053
16/413
6,189,183 B1 * 2/2001 Hartselle, III E05B 1/0015
16/412
D580,734 S * 11/2008 Martin D8/307
D608,186 S * 1/2010 Nicoll D8/367
D700,829 S * 3/2014 Nanbu D8/367
2007/0186379 A1 * 8/2007 McDonald E05B 1/0015
16/110.1
2007/0192995 A1 * 8/2007 Houis F16K 31/62
16/412
2008/0093510 A1 * 4/2008 Oh F16L 3/2235
248/63
2020/0071962 A1 * 3/2020 Markway E05B 53/001

* cited by examiner

Primary Examiner — Lauren R Calve

(74) *Attorney, Agent, or Firm* — Skinner and Associates;
Joel D. Skinner, Jr.

(57) **CLAIM**

The ornamental design for a door handle, as shown and described.

DESCRIPTION

FIG. 1 is a perspective view of a door handle showing the claimed design.
FIG. 2 is an opposing perspective view thereof.
FIG. 3 is an end view thereof.
FIG. 4 is an opposite end view thereof.
FIG. 5 is side view thereof.
FIG. 6 is an opposite side view thereof.
FIG. 7 is top view thereof.
FIG. 8 is a bottom view thereof; and,
FIG. 9 is a perspective view of the environment in which the door handle embodying the design is used. The broken lines in this Figure form no part of the claimed design.

1 Claim, 5 Drawing Sheets

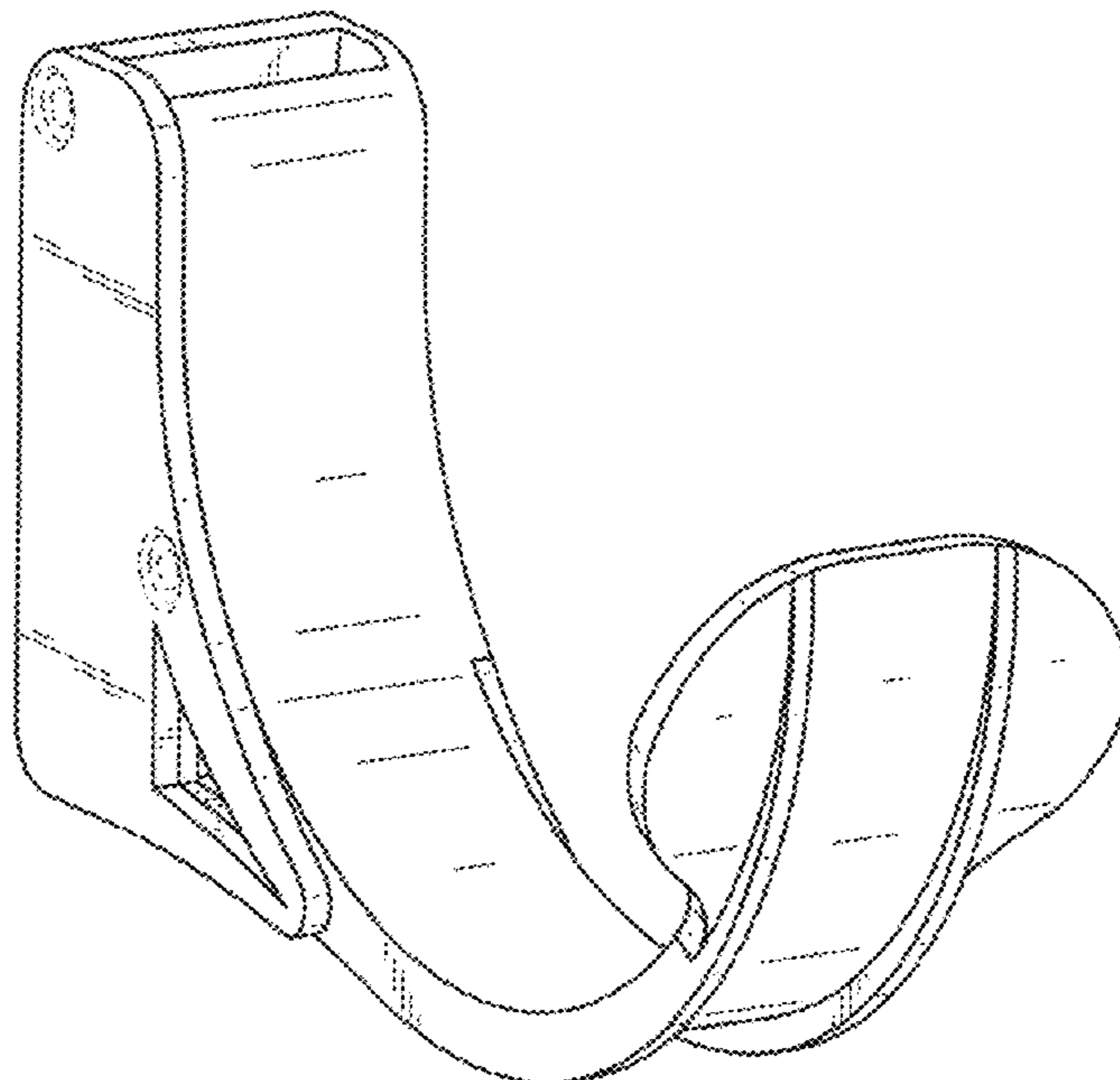


FIG. 1

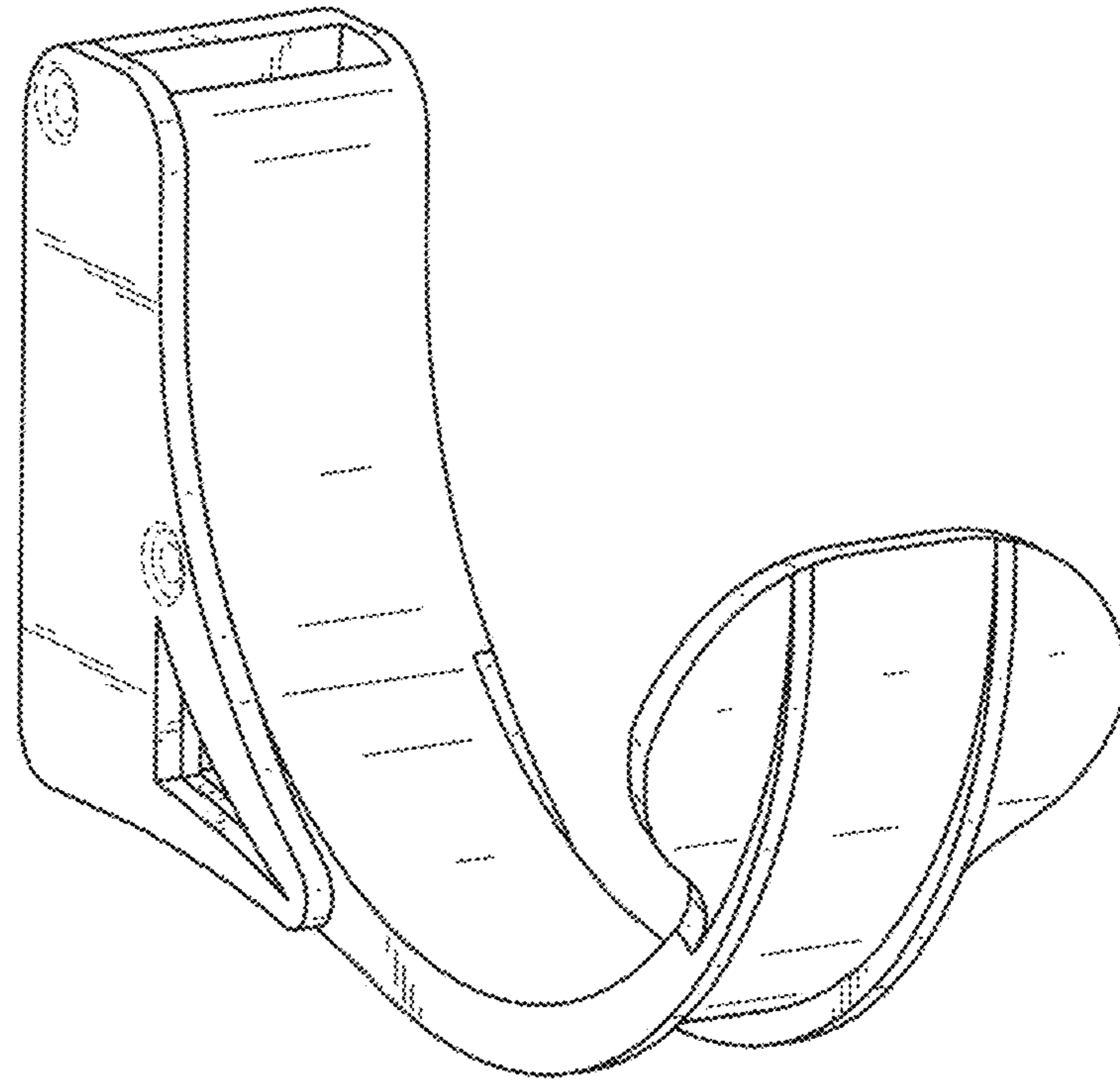
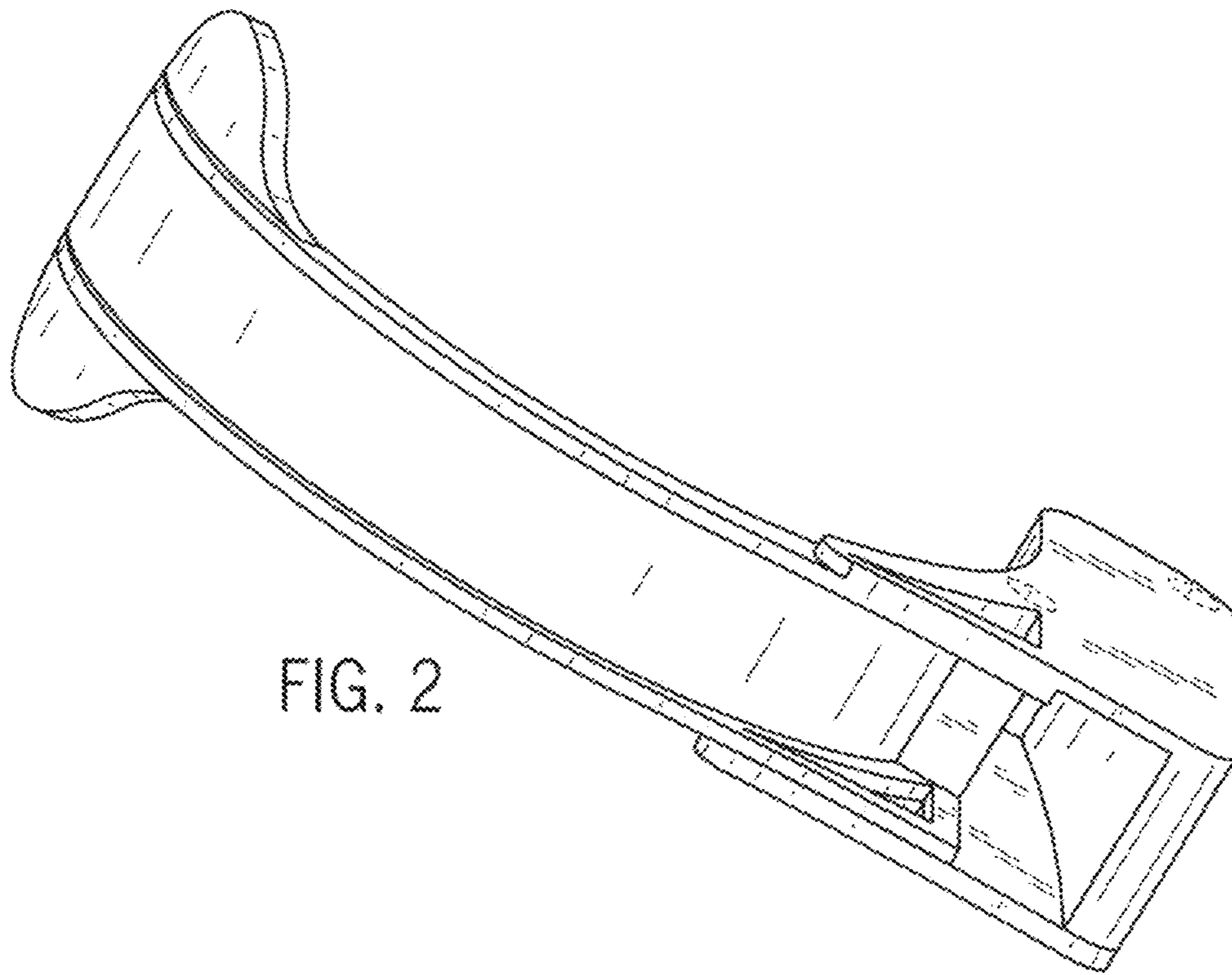


FIG. 2



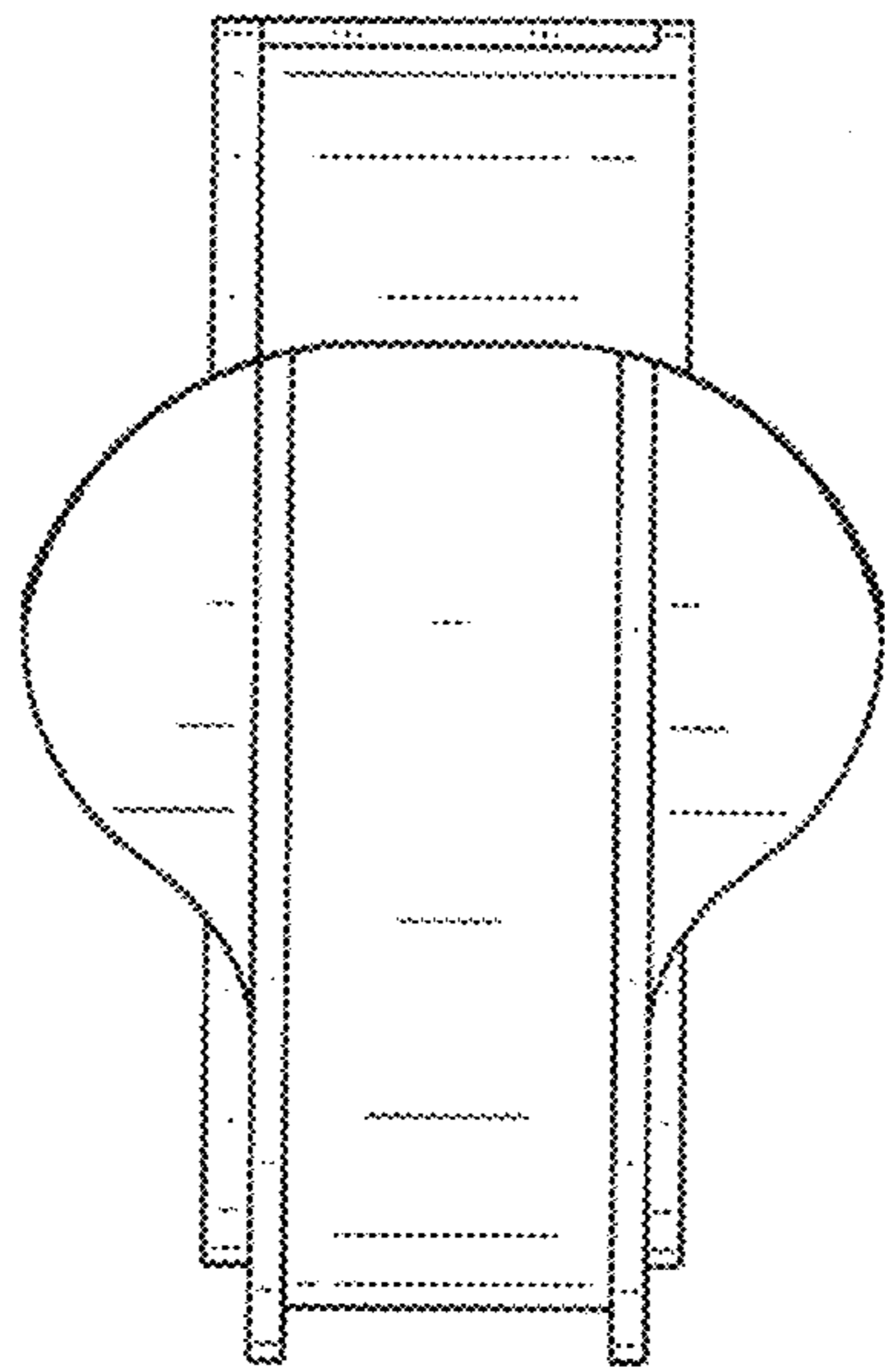


FIG. 3

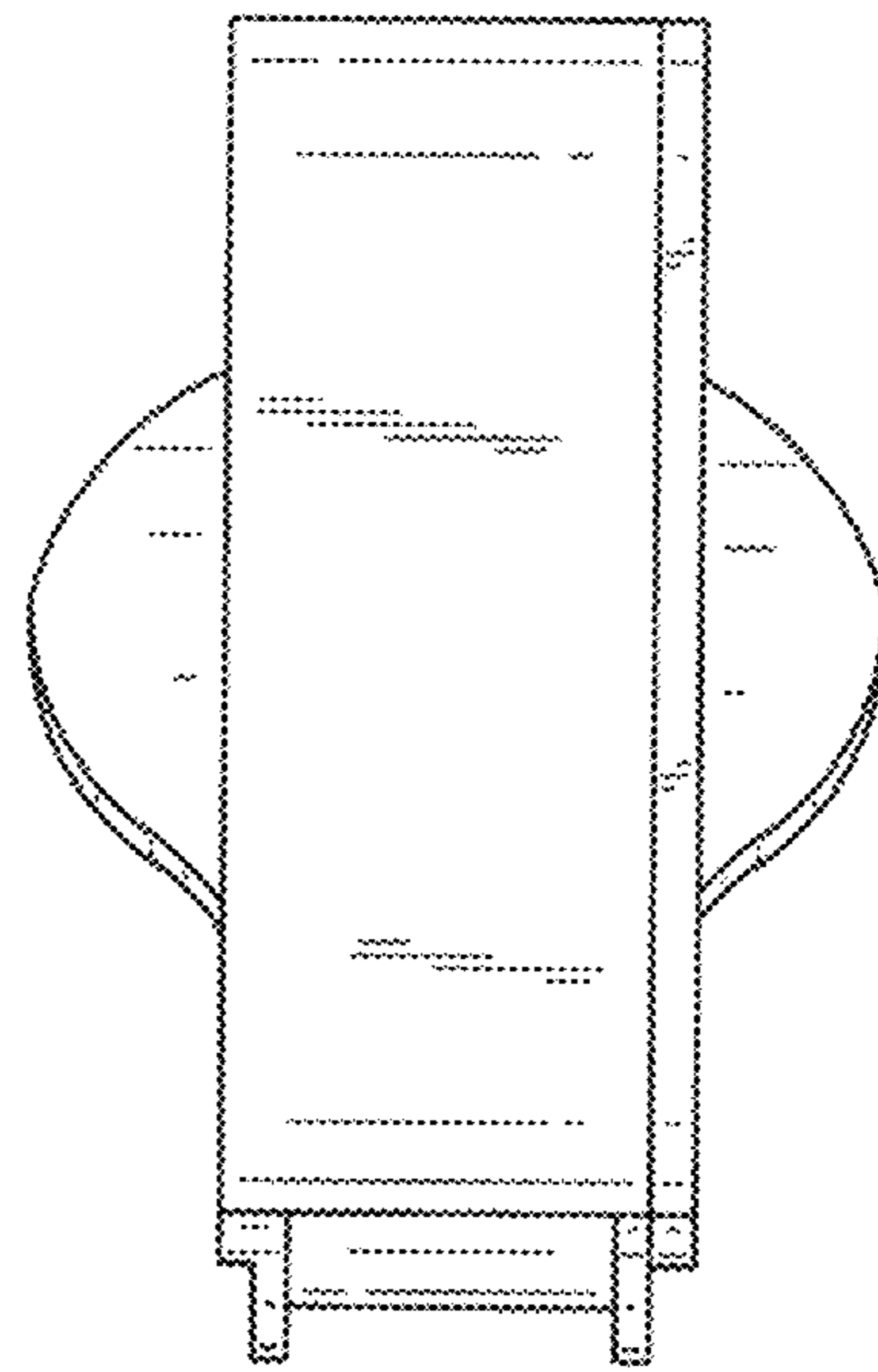


FIG. 4

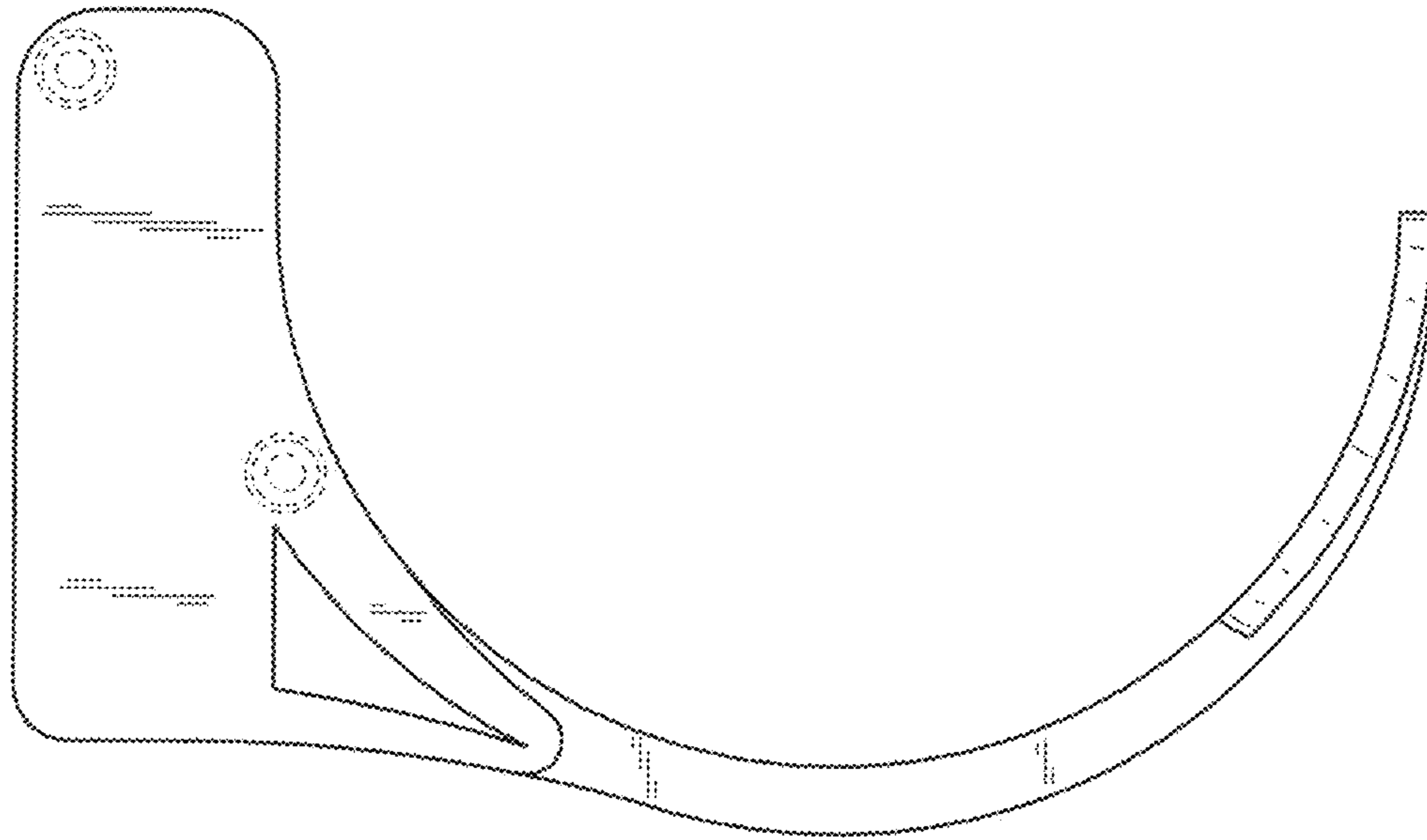


FIG. 5

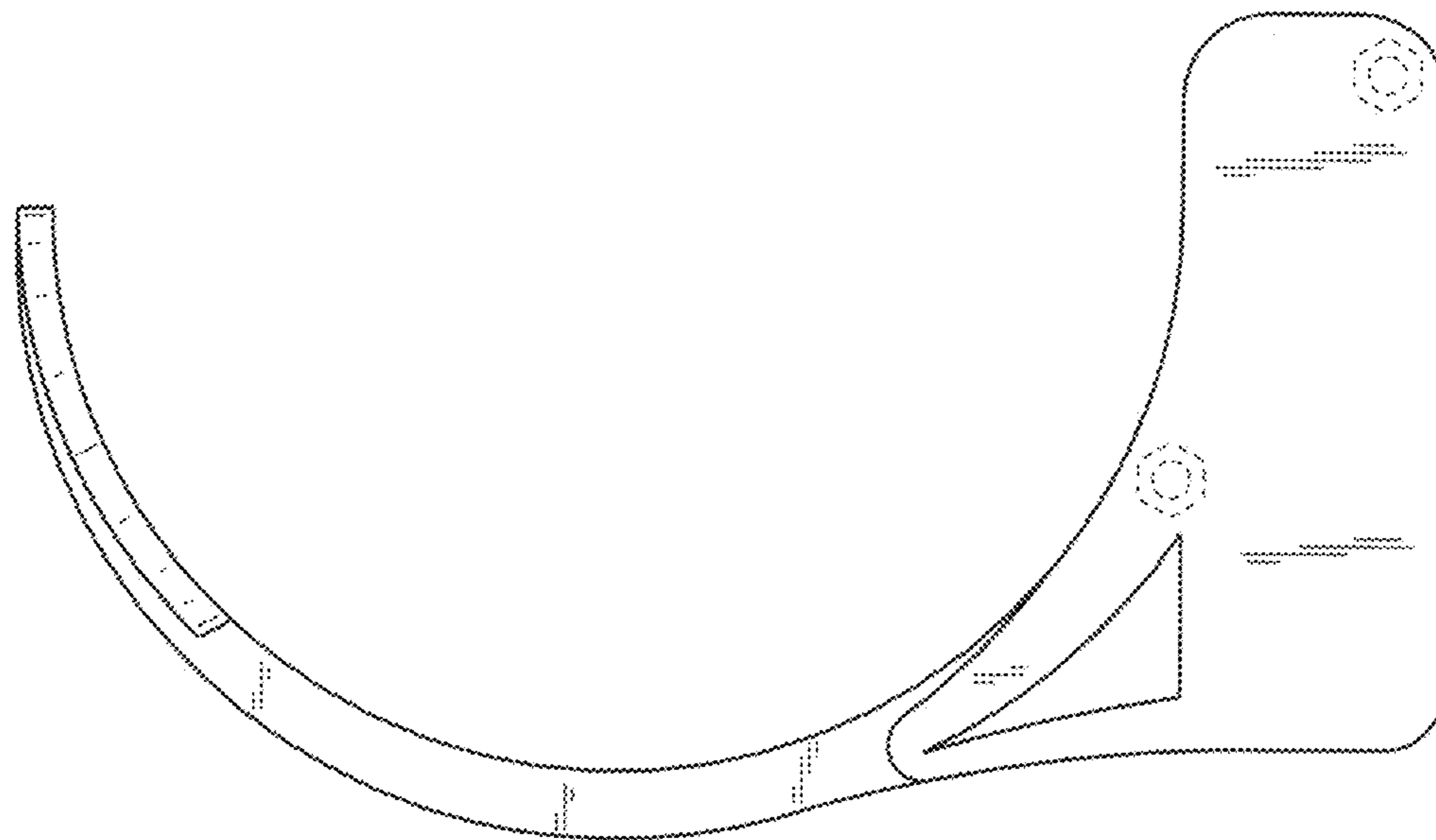


FIG. 6

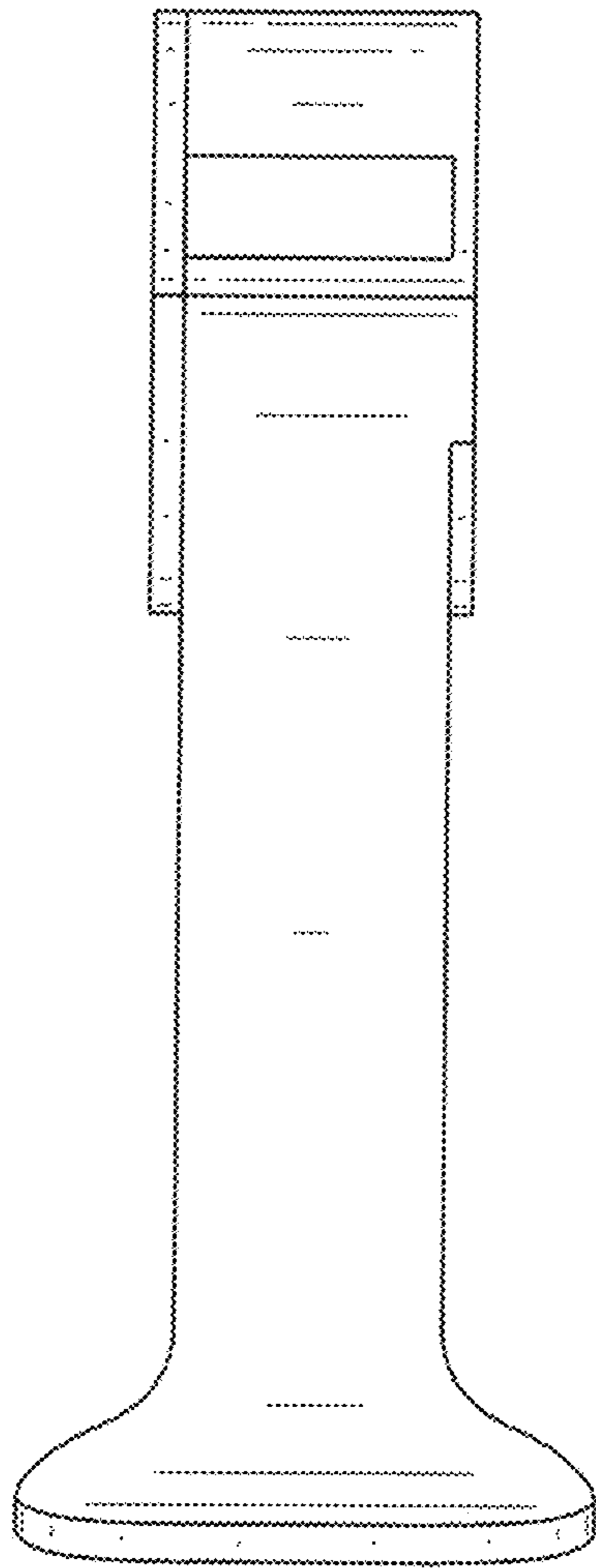


FIG. 7

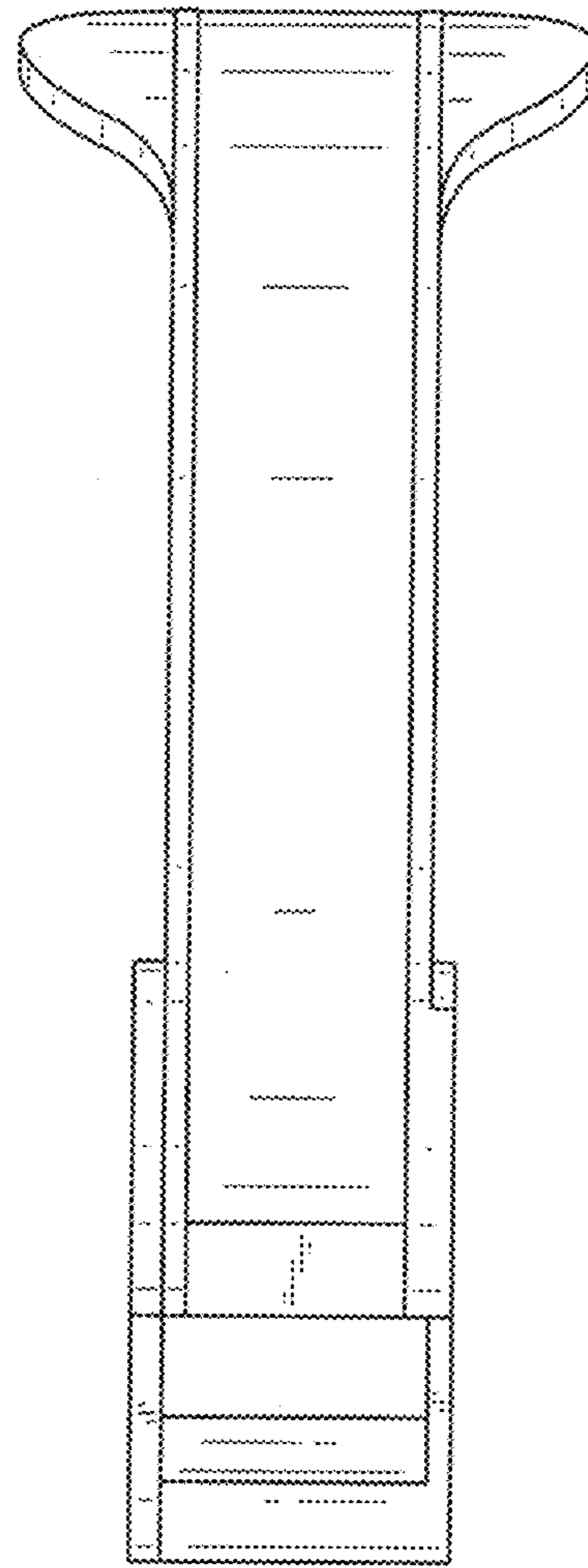


FIG. 8

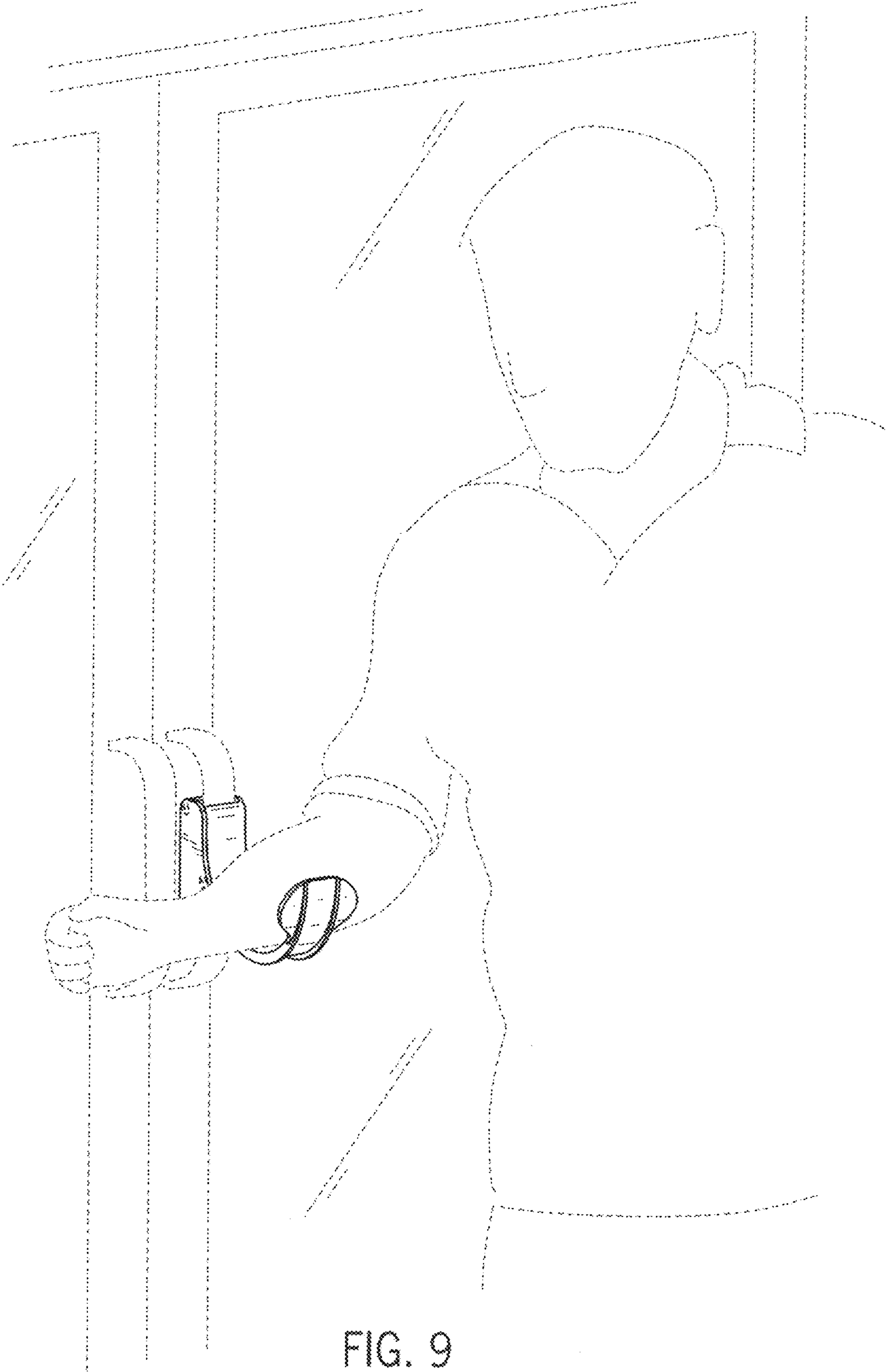


FIG. 9