



US00D929840S

(12) **United States Design Patent** (10) **Patent No.:** **US D929,840 S**  
**Chen** (45) **Date of Patent:** **\*\* Sep. 7, 2021**

(54) **HAMMER**  
 (71) Applicant: **Ming Chen**, Zhejiang (CN)  
 (72) Inventor: **Ming Chen**, Zhejiang (CN)  
 (\*\*) Term: **15 Years**  
 (21) Appl. No.: **29/734,490**  
 (22) Filed: **May 13, 2020**

(30) **Foreign Application Priority Data**

Mar. 16, 2020 (CN) ..... 202030087850.6

(51) **LOC (13) Cl.** ..... **08-02**

(52) **U.S. Cl.**  
USPC ..... **D8/77**

(58) **Field of Classification Search**  
 USPC ..... D8/75, 76, 77, 78, 79, 80, 81, 107  
 CPC ... B25D 1/00; B25D 1/02; B25D 1/04; B25D  
 1/045; B25D 1/06; B25D 1/10; B25D  
 1/12; B25G 1/102  
 See application file for complete search history.

(56) **References Cited**

U.S. PATENT DOCUMENTS

D302,932 S \* 8/1989 Chapin ..... D8/75  
 D350,470 S \* 9/1994 Majors ..... D8/77  
 5,537,896 A \* 7/1996 Halder ..... B25D 1/00  
 81/22  
 5,960,677 A \* 10/1999 Carmien ..... B25D 1/12  
 81/20

D463,725 S \* 10/2002 Wroblewski ..... D8/77  
 D579,298 S \* 10/2008 Moxey ..... D8/77  
 D653,095 S \* 1/2012 Onello ..... D8/77  
 D778,136 S \* 2/2017 Chen ..... D8/77  
 D779,906 S \* 2/2017 Kraljic ..... D8/77  
 D808,761 S \* 1/2018 Nelson ..... D8/77  
 D826,678 S \* 8/2018 Nelson ..... D8/77  
 D846,366 S \* 4/2019 Kraljic ..... D8/77  
 D888,525 S \* 6/2020 Montoli ..... D8/77  
 D904,606 S \* 12/2020 Gloess ..... D24/133

\* cited by examiner

*Primary Examiner* — Philip S Hyder

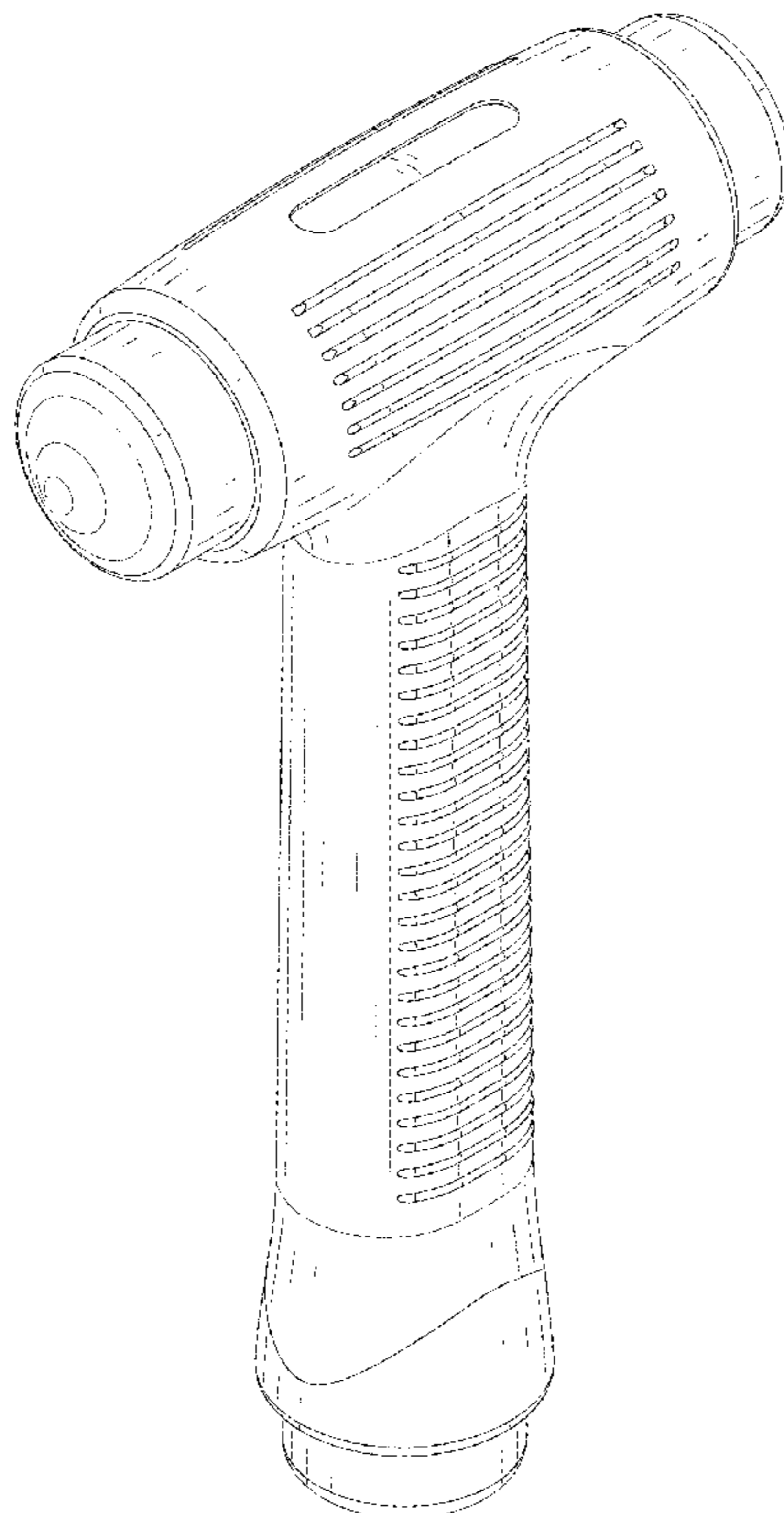
(57) **CLAIM**

The ornamental design for a hammer, as shown and described.

**DESCRIPTION**

FIG. 1 is a top, front and left side perspective view of a hammer showing my new design;  
 FIG. 2 is a bottom, rear and right side perspective view thereof;  
 FIG. 3 is a front elevational view thereof;  
 FIG. 4 is a rear elevational view thereof;  
 FIG. 5 is a left side view thereof;  
 FIG. 6 is a right side view thereof;  
 FIG. 7 is a top plan view thereof;  
 FIG. 8 is a bottom plan view thereof; and,  
 FIG. 9 is a bottom, rear and right side perspective view showing the hammer in a disassembled state.  
 The broken lines in FIG. 9 illustrate portions of the hammer which form no part of the claimed design.

**1 Claim, 9 Drawing Sheets**



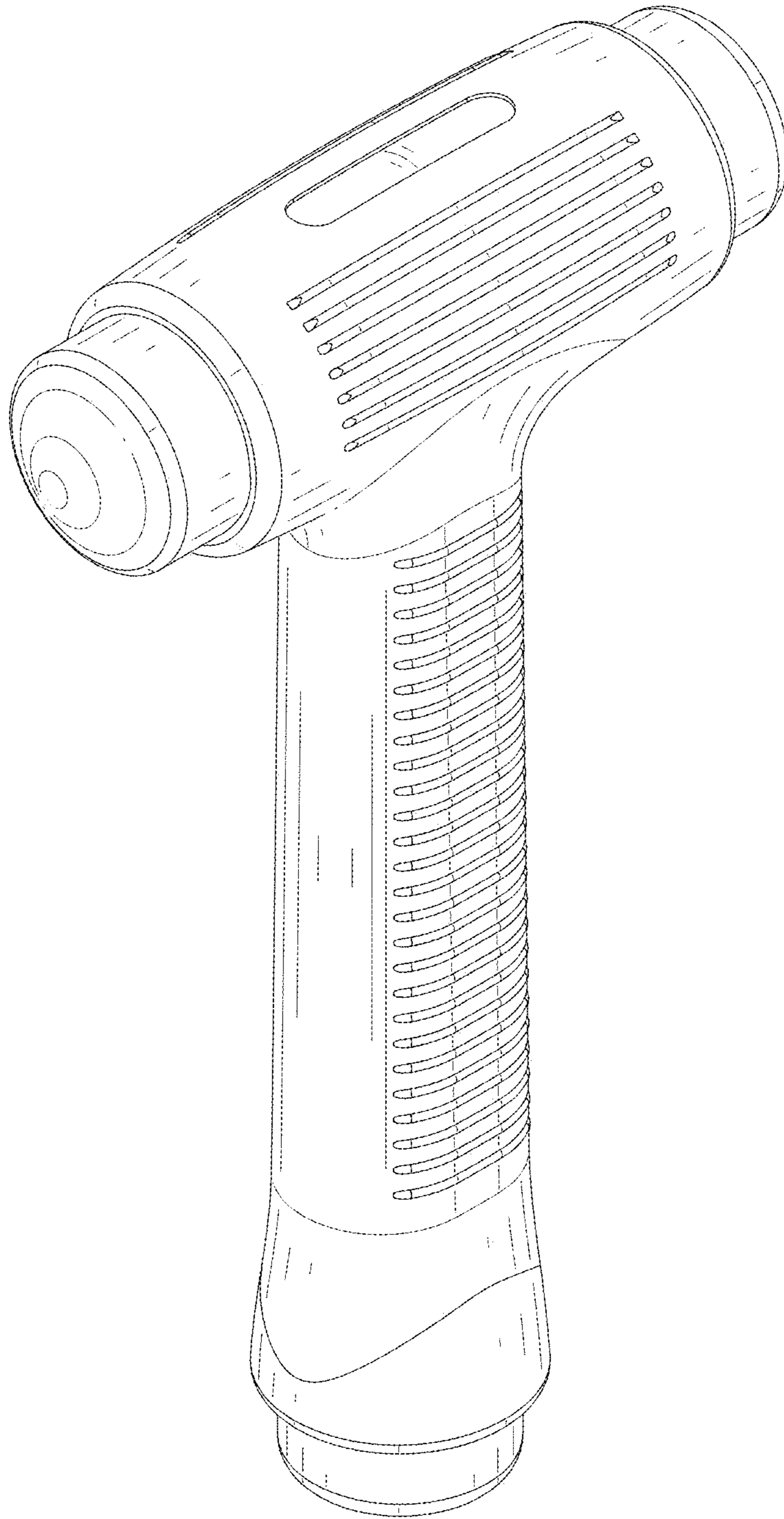


FIG.1

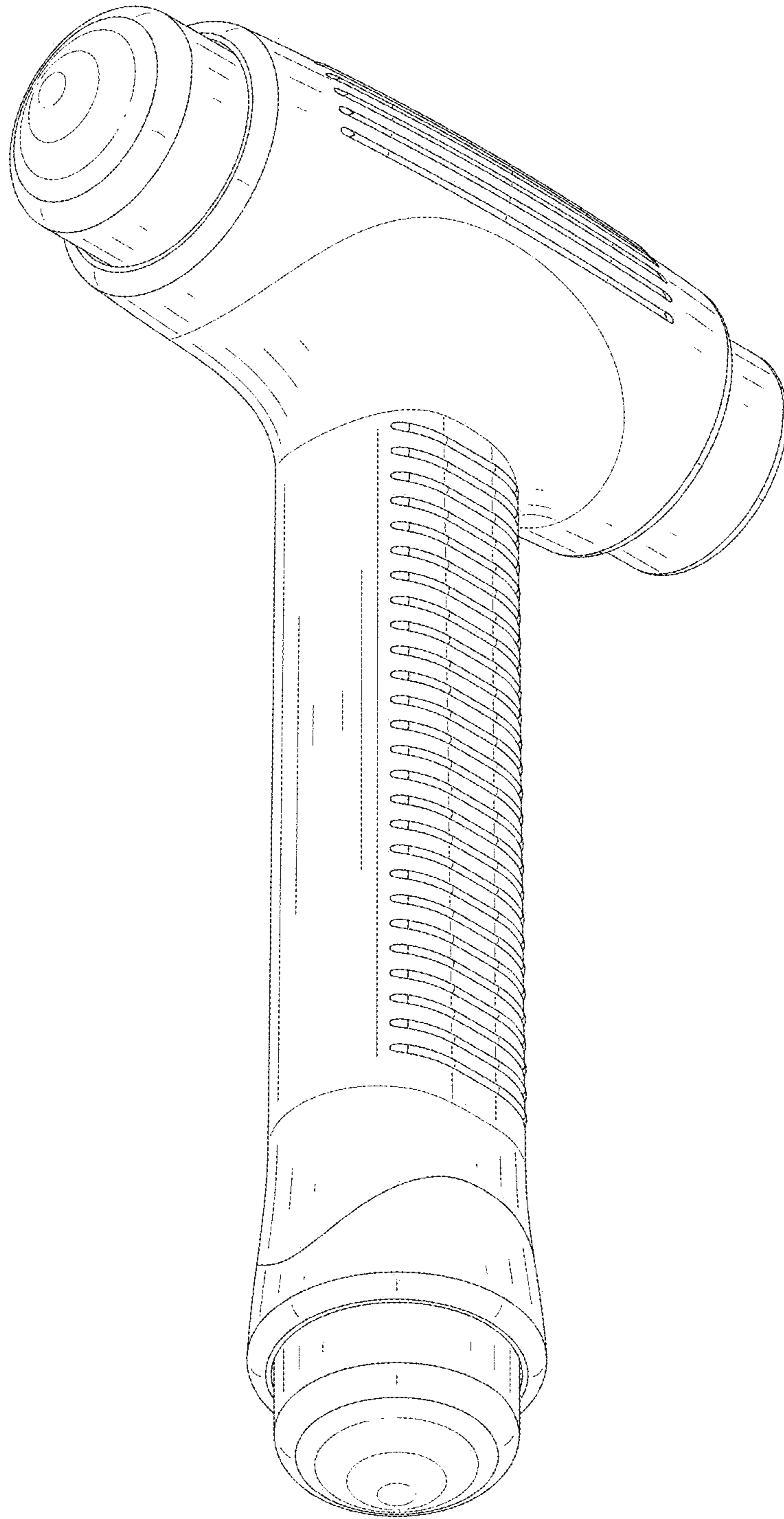


FIG.2

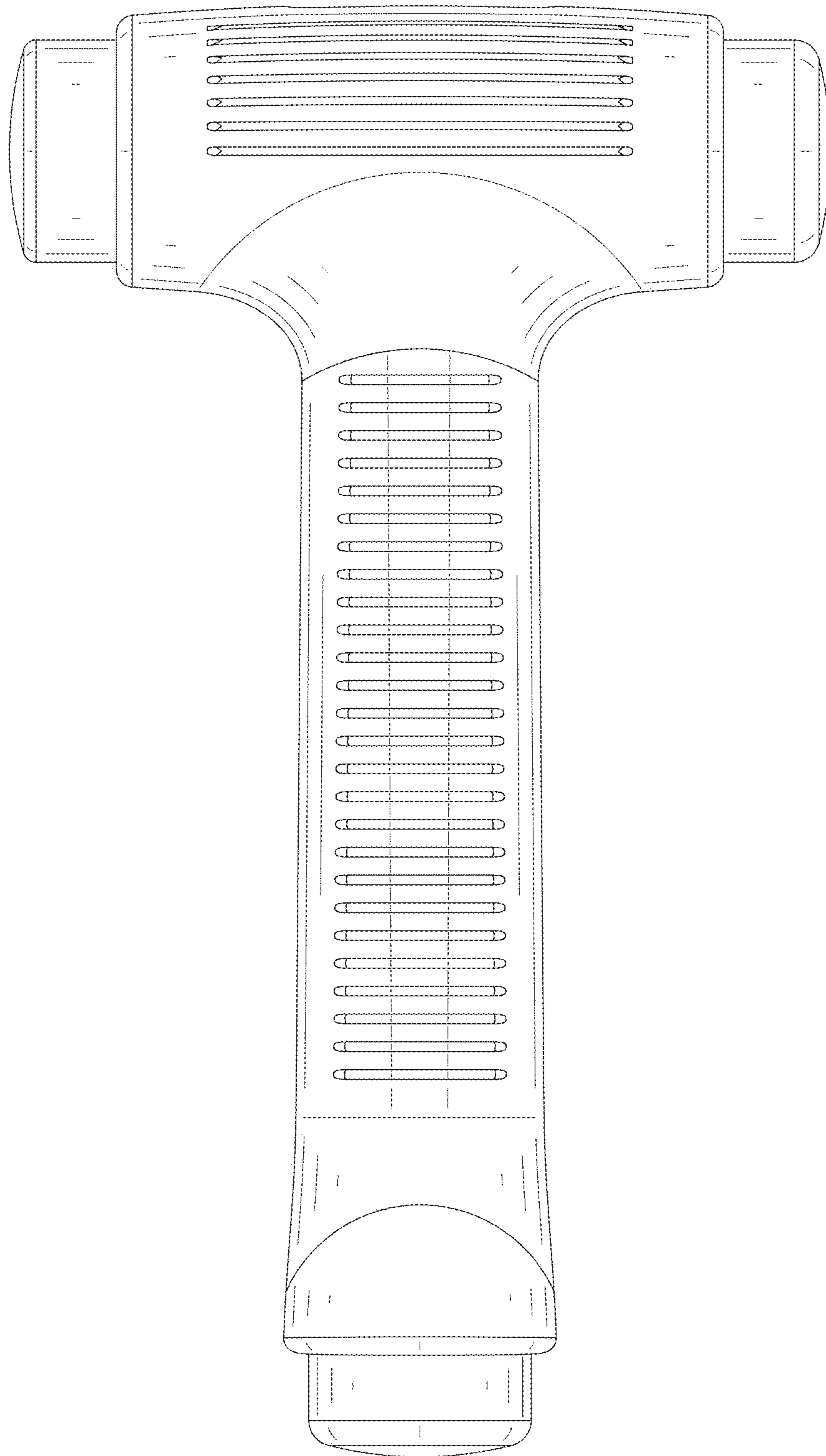


FIG.3

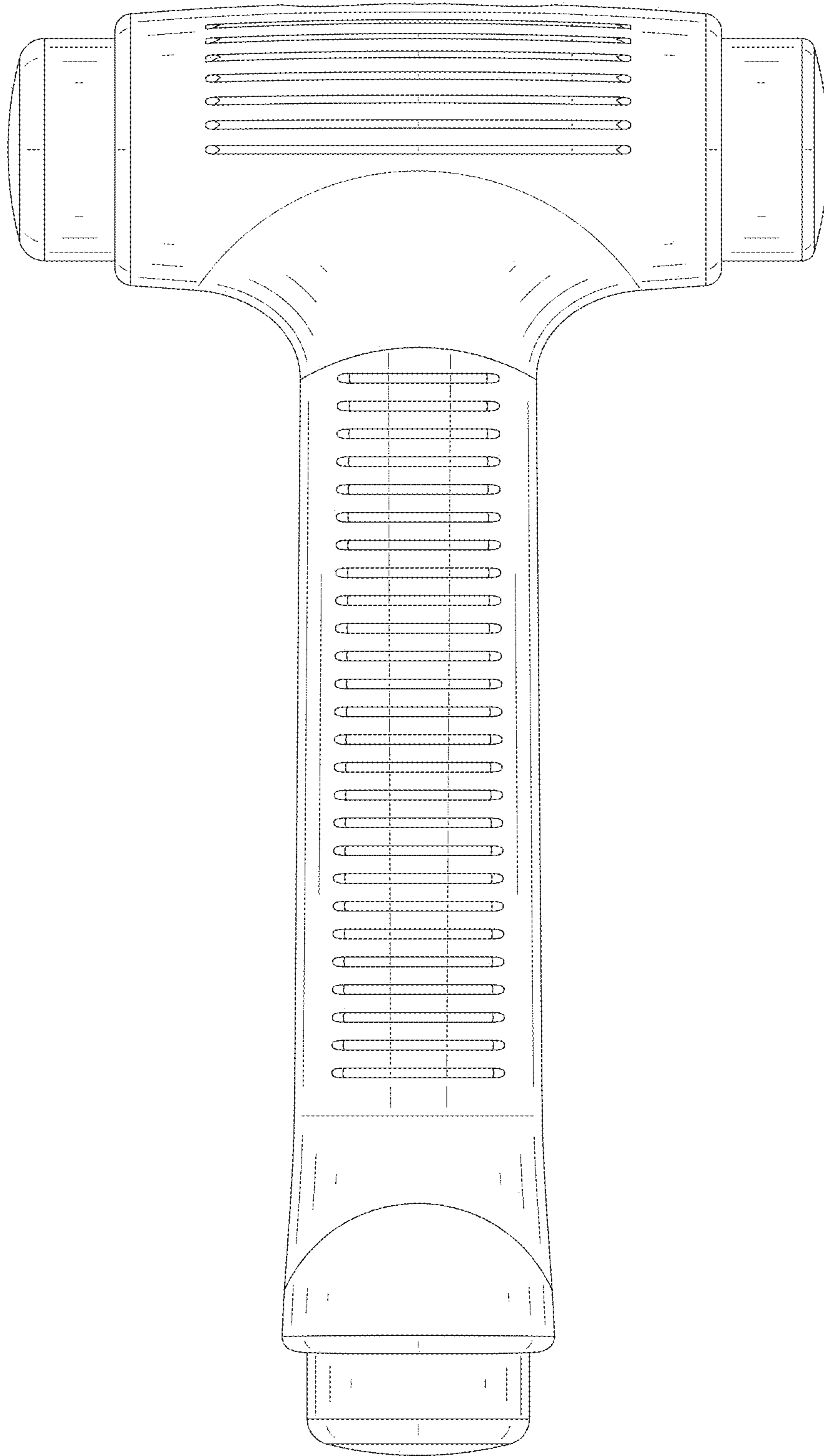


FIG.4

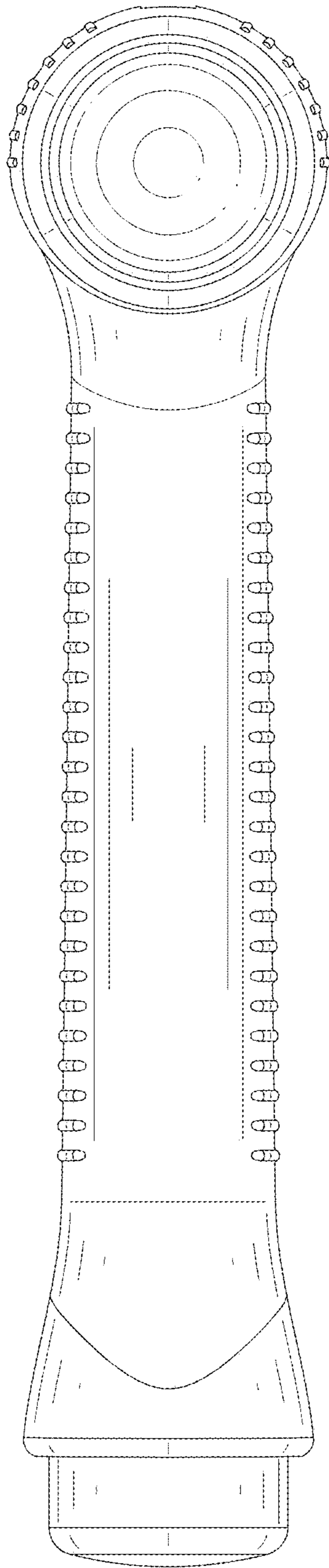


FIG.5

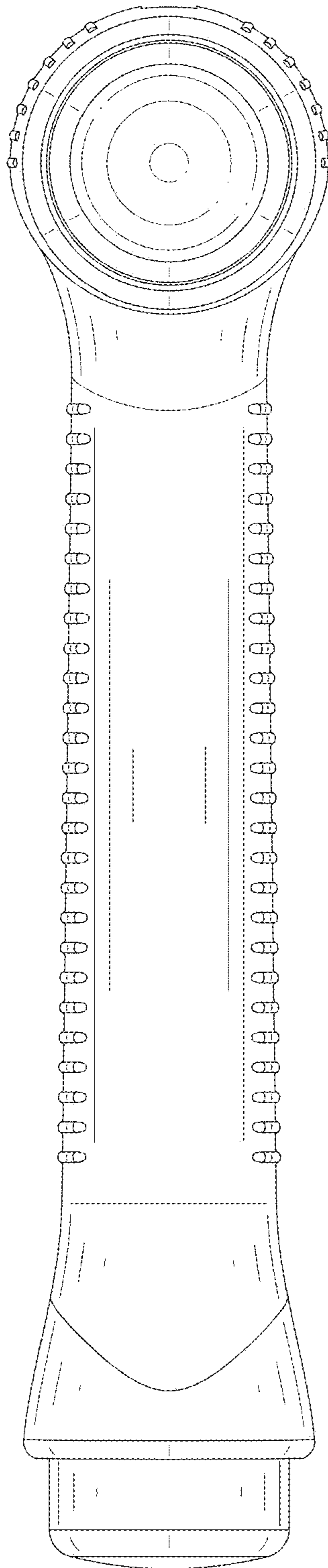


FIG.6

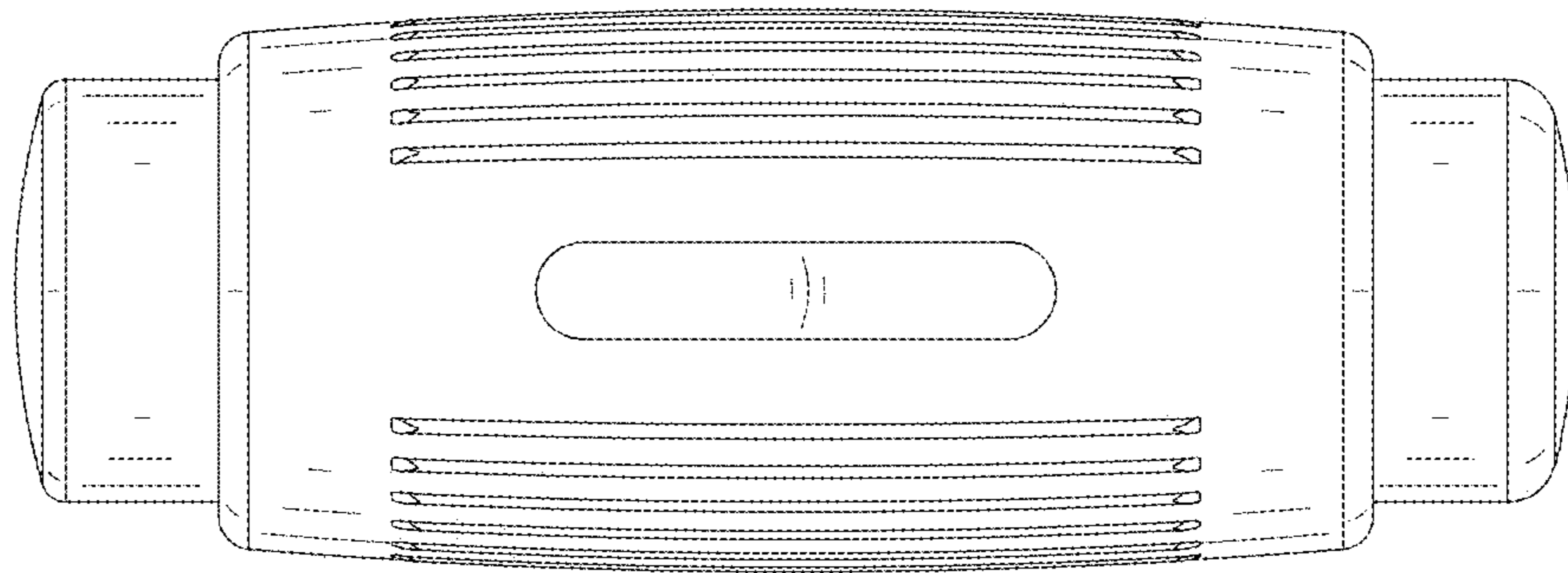


FIG.7



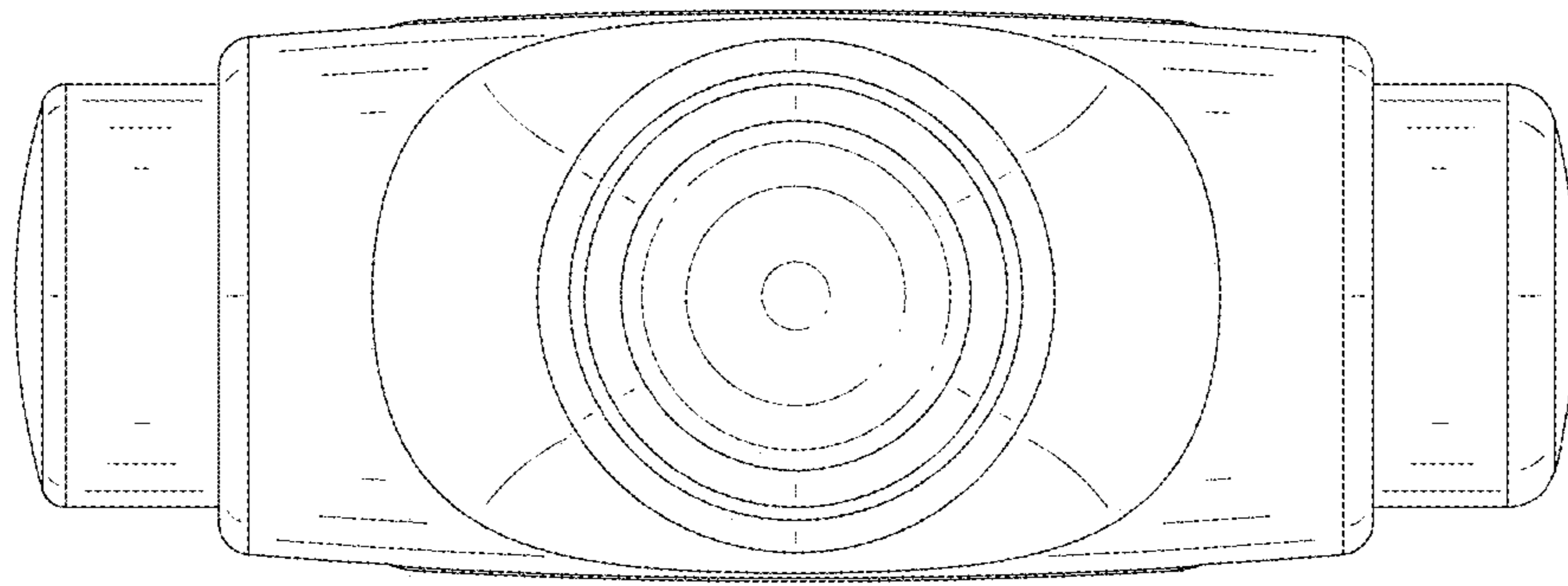


FIG.8

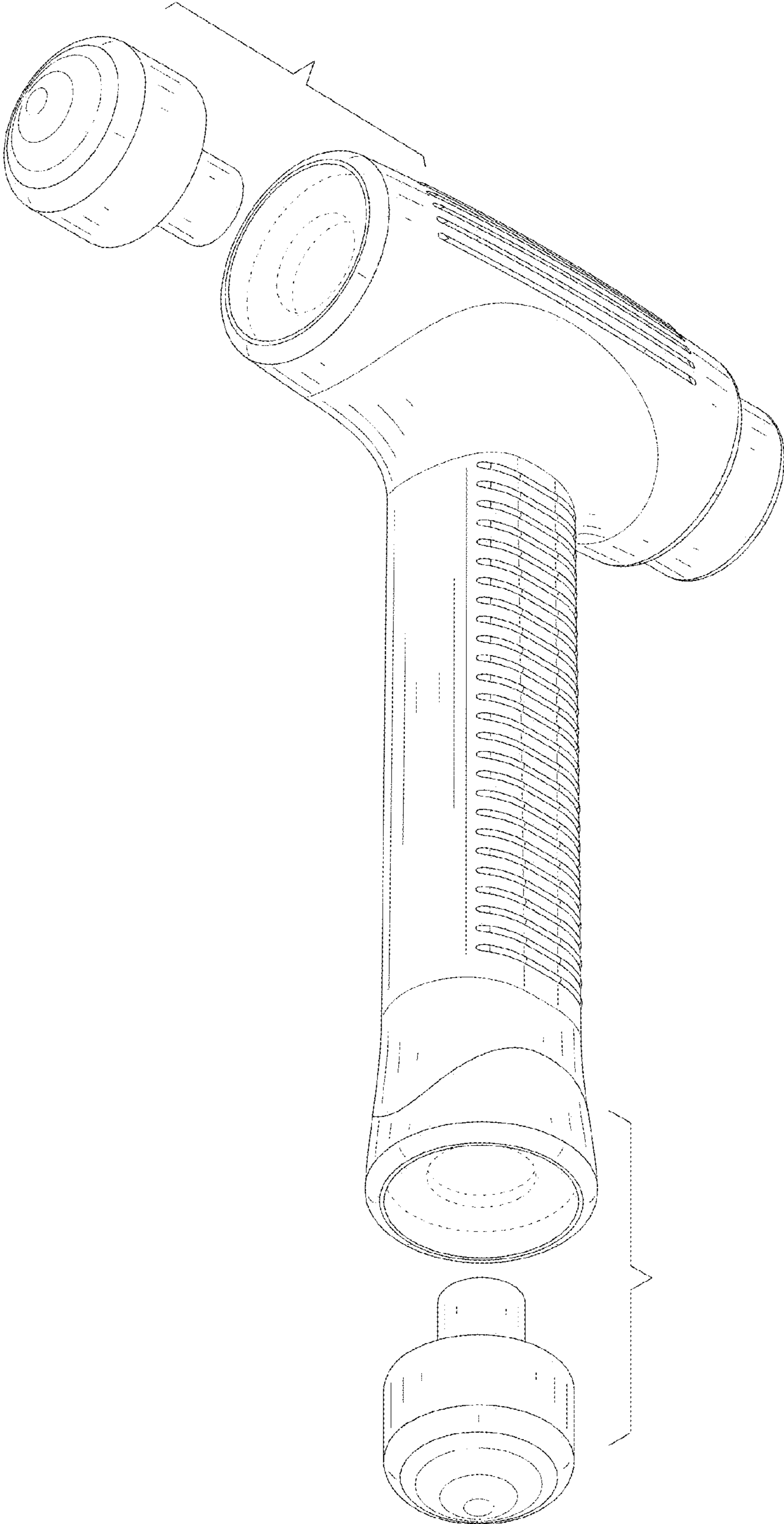


FIG.9