



US00D929838S

(12) **United States Design Patent**
Tschan

(10) **Patent No.:** **US D929,838 S**

(45) **Date of Patent:** **** Sep. 7, 2021**

(54) **SPRAY GUN HOLDER**

(71) Applicant: **SATA GmbH & Co. KG,**
Kornwestheim (DE)

(72) Inventor: **Alexander Tschan,** Kornwestheim (DE)

(73) Assignee: **SATA GMBH & CO. KG,**
Kornwestheim (DE)

(**) Term: **15 Years**

(21) Appl. No.: **29/730,873**

(22) Filed: **Apr. 9, 2020**

(30) **Foreign Application Priority Data**

Oct. 11, 2019 (EM) 007013164

(51) **LOC (13) Cl.** **08-05**

(52) **U.S. Cl.**
USPC **D8/71; D8/373**

(58) **Field of Classification Search**
USPC D8/383, 374, 300, 303, 313, 314, 394,
D8/396, 380, 373, 395, 363, 381, 44, 19,
D8/352, 370, 308, 372, 376

CPC F16B 5/0614; F16B 12/02; E04B 1/2612;
E04B 2001/2415

See application file for complete search history.

(56) **References Cited**

U.S. PATENT DOCUMENTS

D304,670	S *	11/1989	Johnson	D8/71
D334,492	S *	4/1993	Morello	D6/682.1
6,070,809	A *	6/2000	Price	B05B 15/62
					239/273
6,695,267	B2 *	2/2004	Liao	F16M 11/041
					248/175
7,172,138	B2 *	2/2007	Mather	B05B 13/0405
					239/106

(Continued)

Primary Examiner — Keli L Hill

Assistant Examiner — Harold E Blackwell, II

(74) *Attorney, Agent, or Firm* — Paul D. Bianco; Gary S. Winer; Fleit Intellectual Property Law

(57) **CLAIM**

The ornamental design for a spray gun holder, as shown and described.

DESCRIPTION

FIG. 1 is a perspective view of a spray gun holder according to the present invention in an unfolded configuration;

FIG. 2 is a front view of the spray gun holder of FIG. 1 in the unfolded configuration;

FIG. 3 is a back view of the spray gun holder of FIG. 1 in the unfolded configuration;

FIG. 4 is a top view of the spray gun holder of FIG. 1 in the unfolded configuration;

FIG. 5 is a bottom view of the spray gun holder of FIG. 1 in the unfolded configuration;

FIG. 6 is a right-side view of the spray gun holder of FIG. 1 in the unfolded configuration;

FIG. 7 is a left-side view of the spray gun holder of FIG. 1 in the unfolded configuration;

FIG. 8 is a perspective view of the spray gun holder of FIG. 1 in a folded configuration;

FIG. 9 is a front view of the spray gun holder of FIG. 8 in the folded configuration;

FIG. 10 is a back view of the spray gun holder of FIG. 8 in the folded configuration;

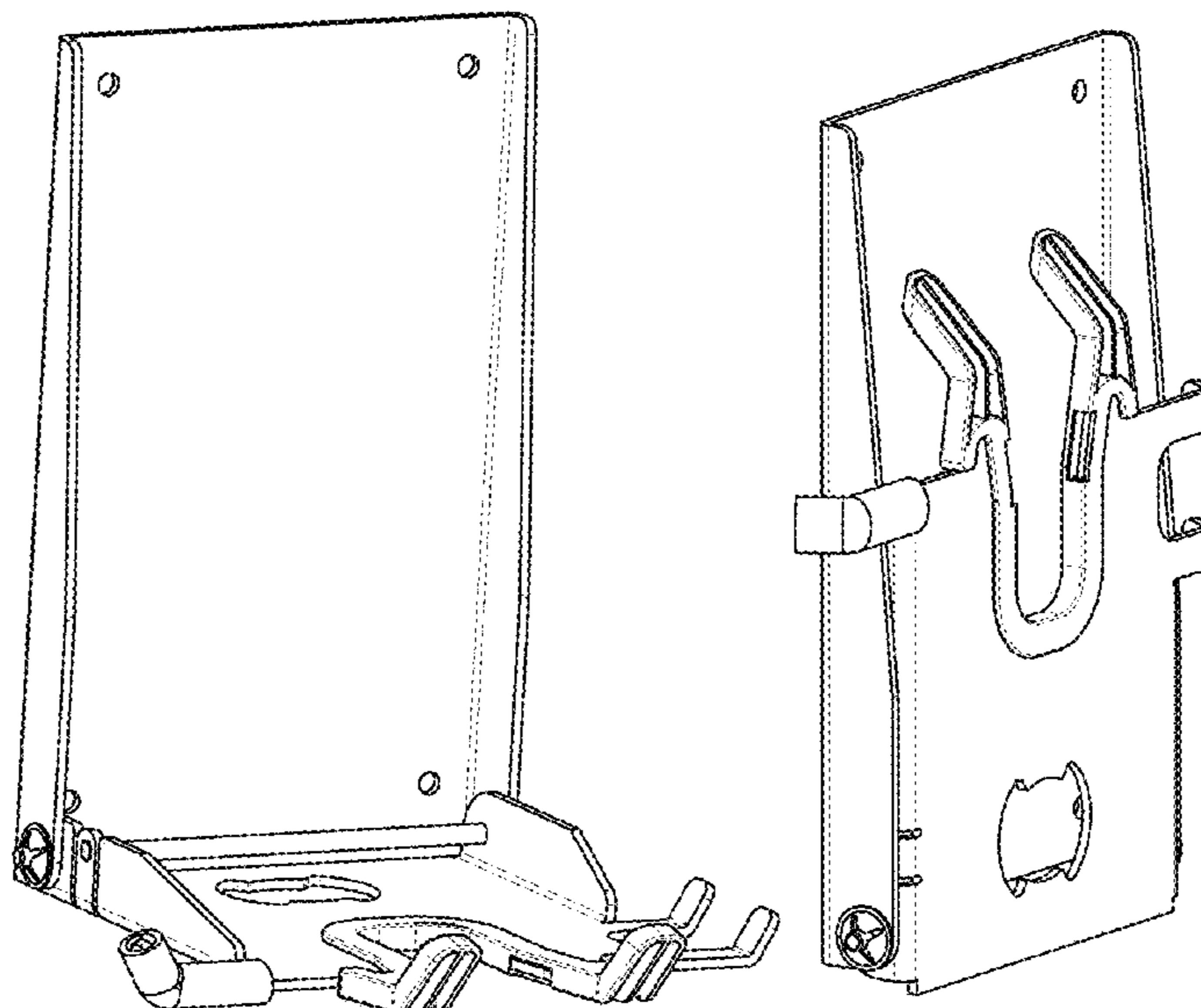
FIG. 11 is a top view of the spray gun holder of FIG. 8 in the folded configuration;

FIG. 12 is a bottom view of the spray gun holder of FIG. 8 in the folded configuration;

FIG. 13 is a right-side view of the spray gun holder of FIG. 8 in the folded configuration; and,

FIG. 14 is a left-side view of the spray gun holder of FIG. 8 in the folded configuration.

1 Claim, 13 Drawing Sheets



(56)

References Cited

U.S. PATENT DOCUMENTS

D558,034 S *	12/2007	Ernst	D8/372
D577,575 S *	9/2008	Ernst	D8/373
D577,576 S *	9/2008	Ernst	D8/373
D577,989 S *	10/2008	Ernst	D6/566
D681,414 S *	5/2013	Tatic	D8/71
D737,126 S *	8/2015	Tschan	D8/373
10,220,404 B2 *	3/2019	Rose	B05B 9/01
D853,224 S *	7/2019	Bacallao	D8/373

* cited by examiner

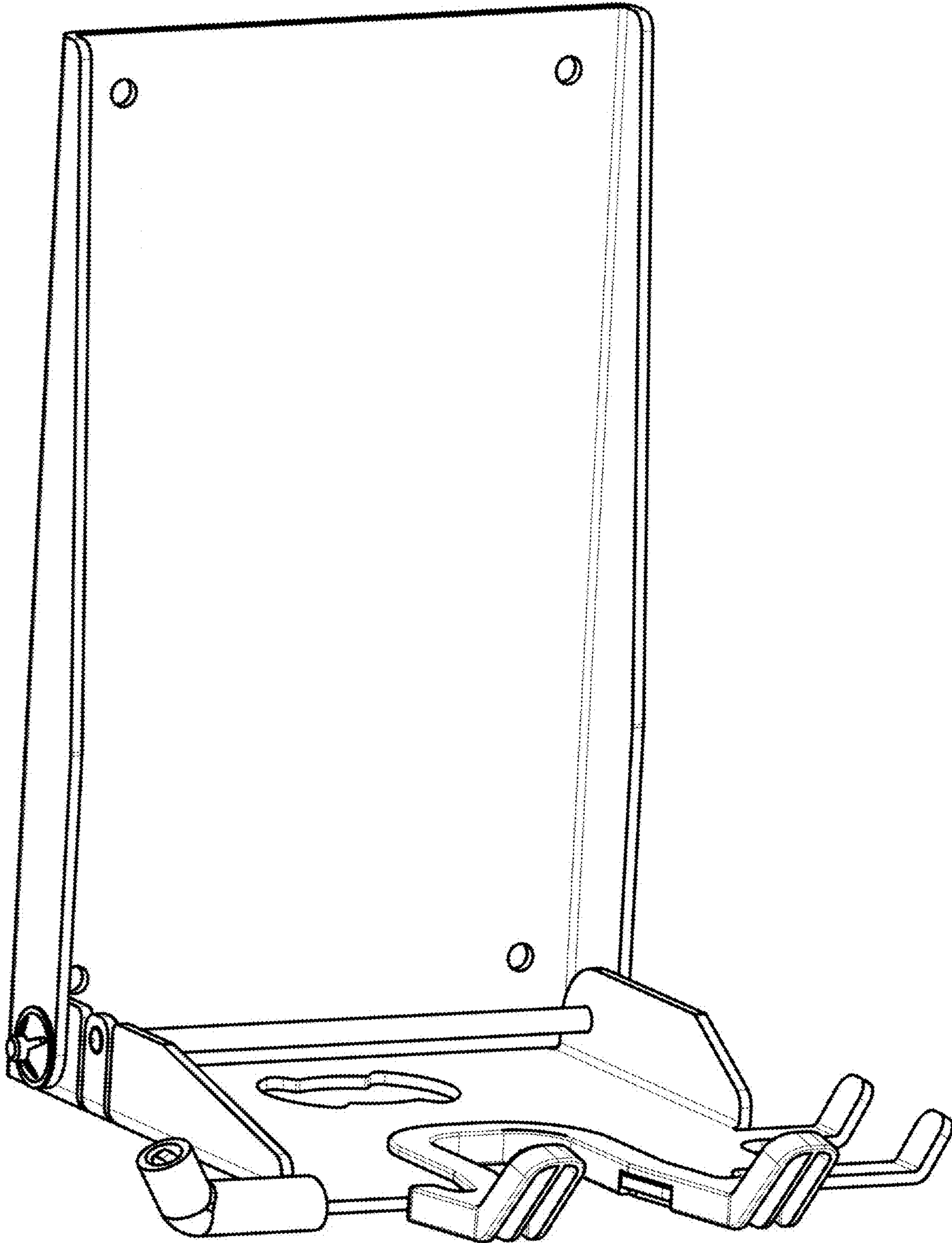


FIG. 1

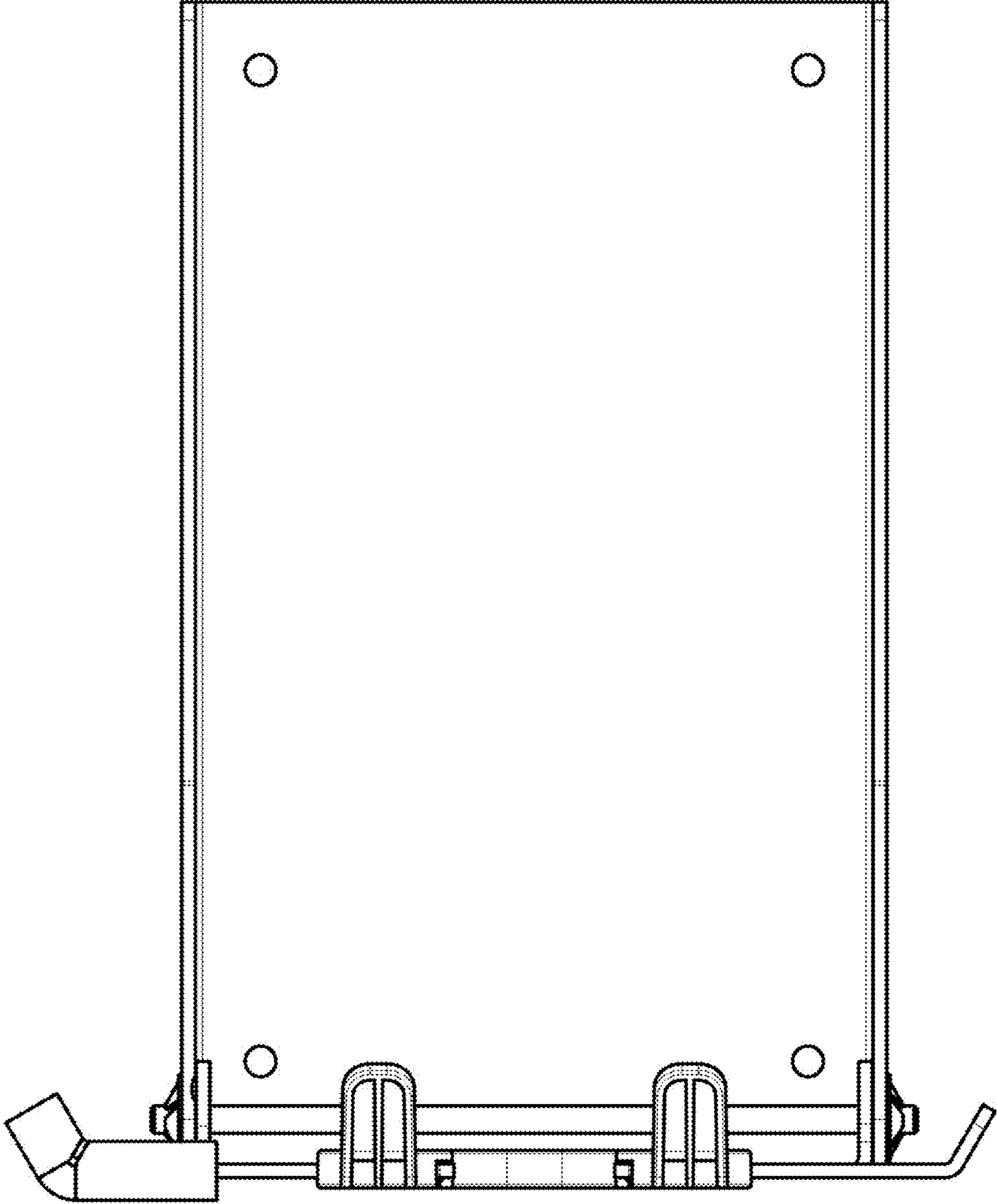


FIG. 2

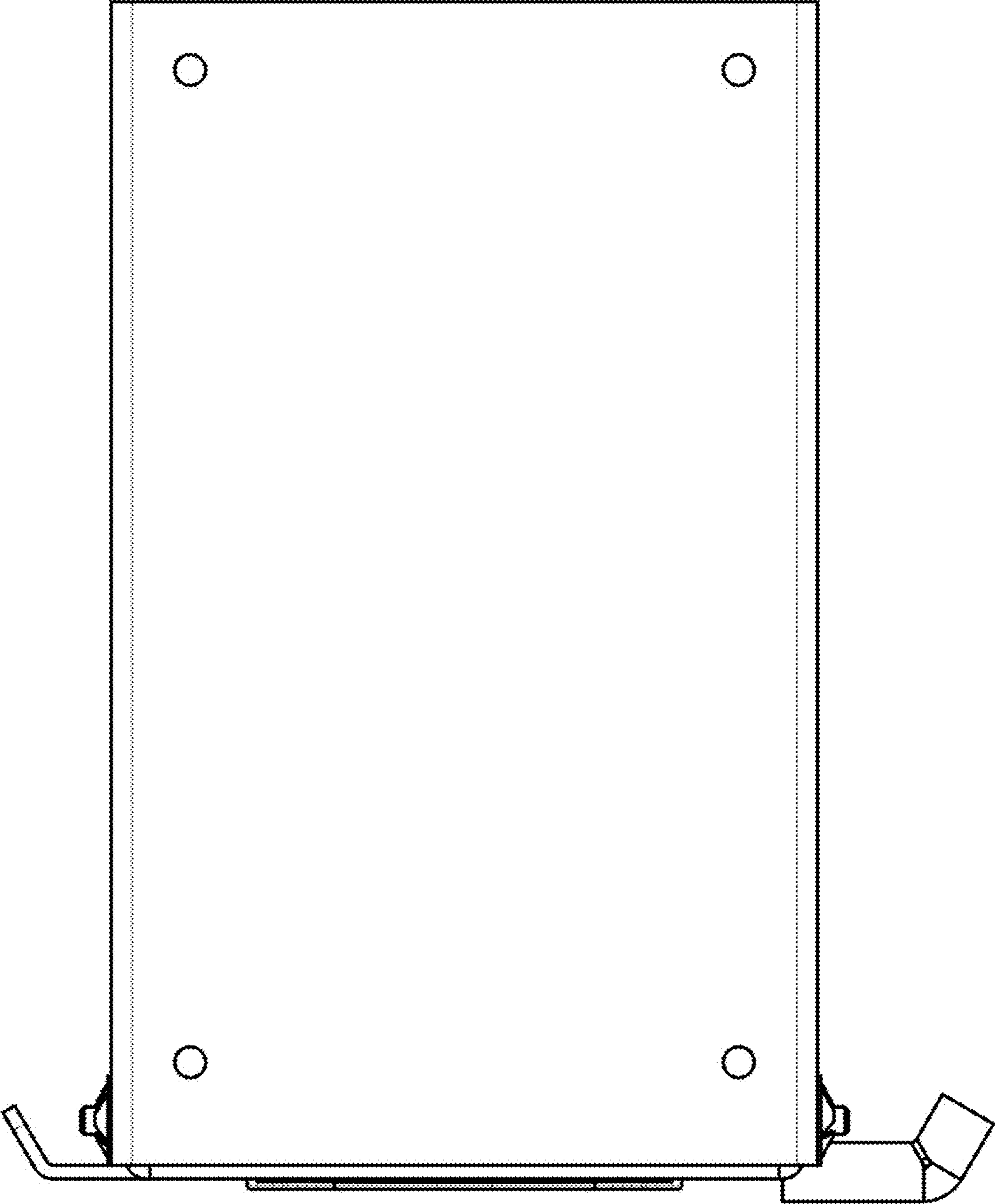


FIG. 3

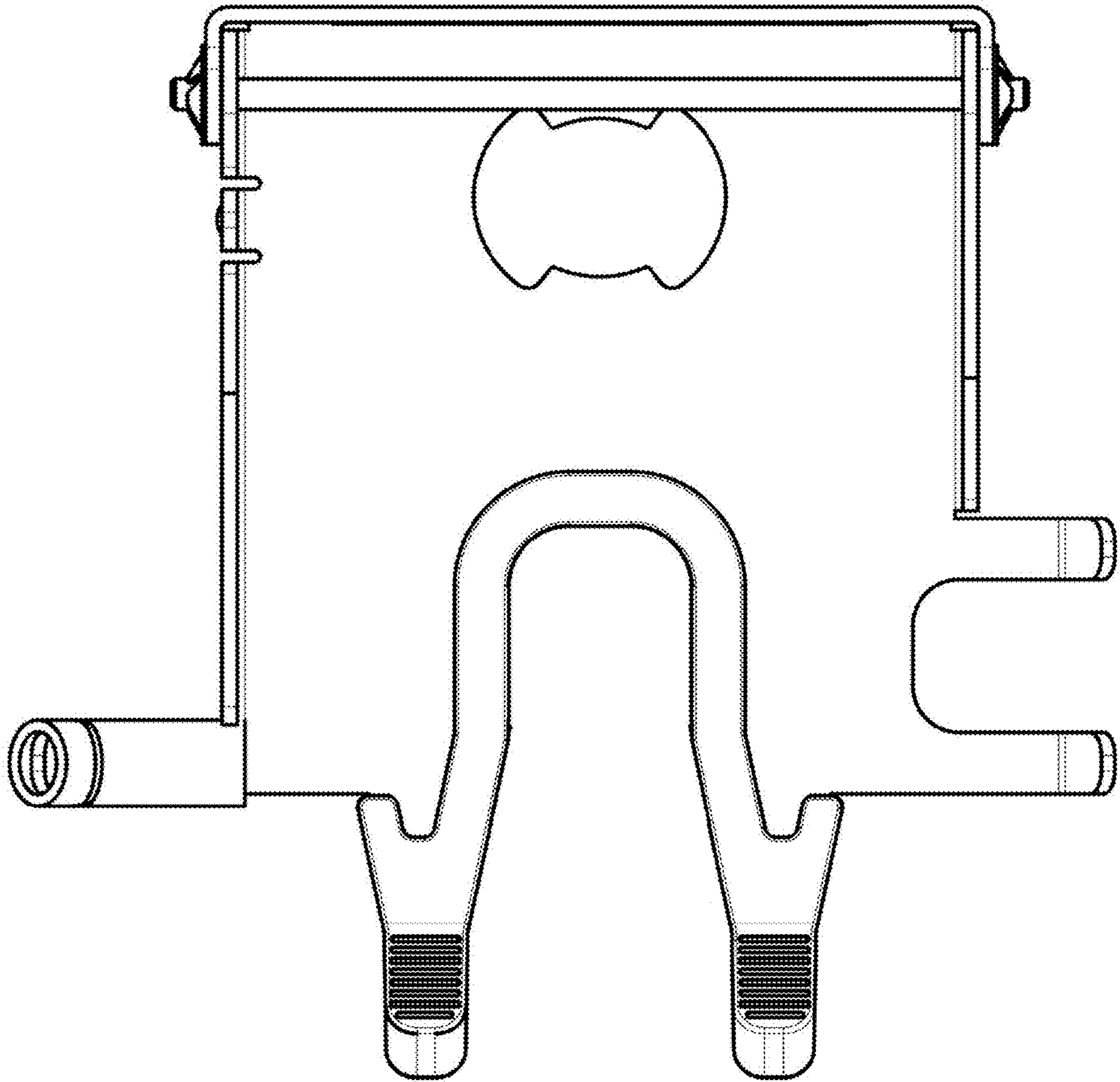


FIG. 4

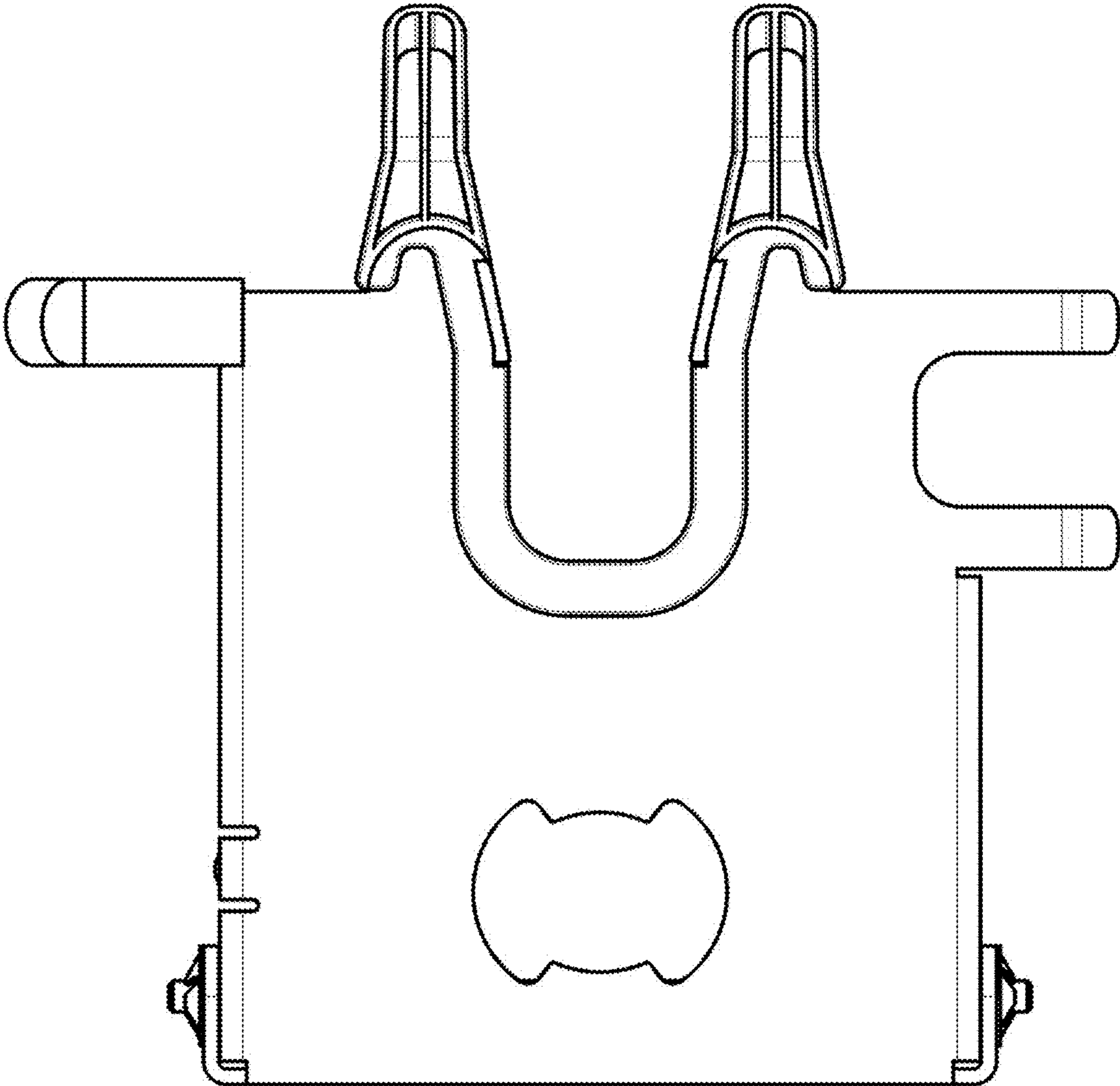


FIG. 5

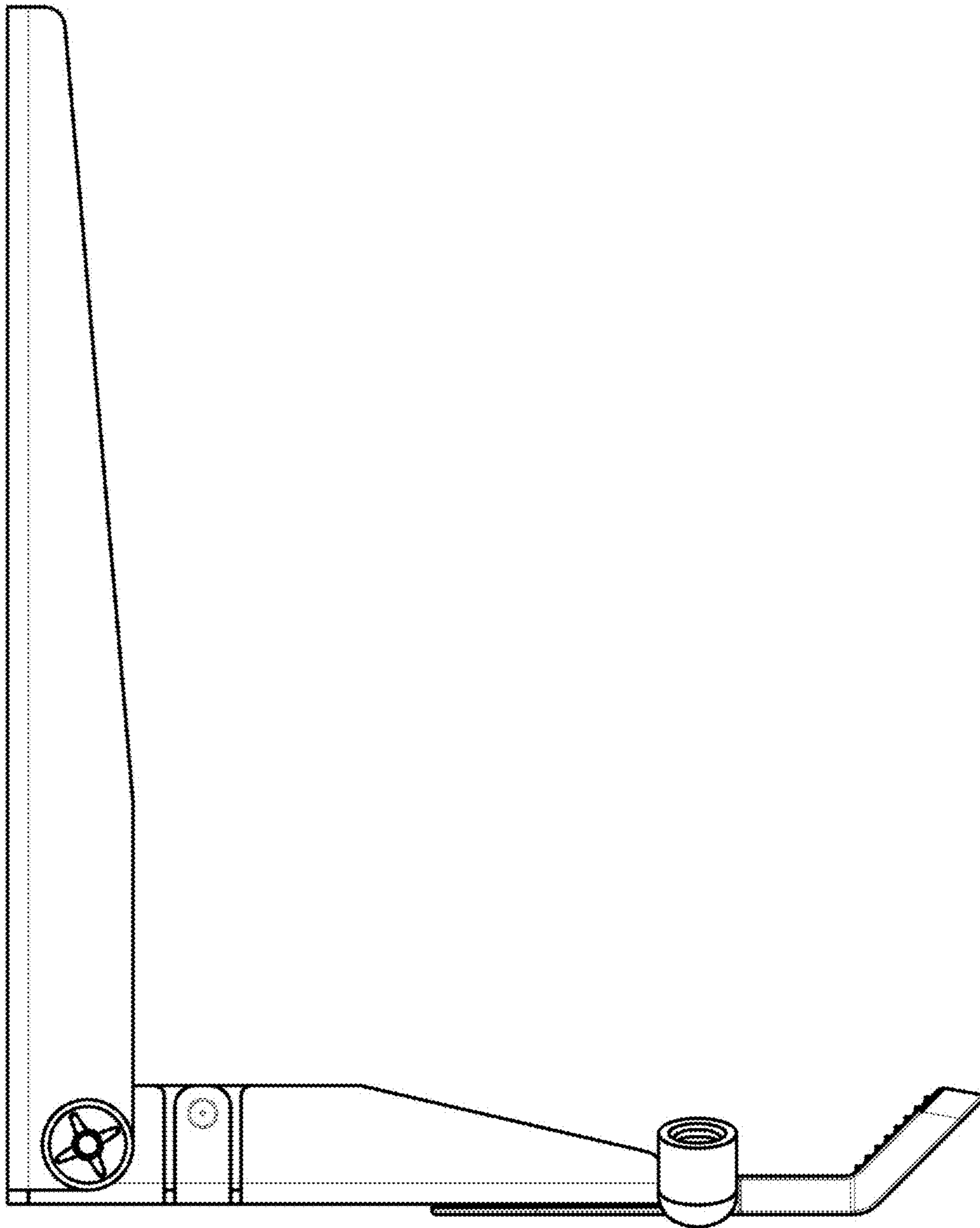


FIG. 6

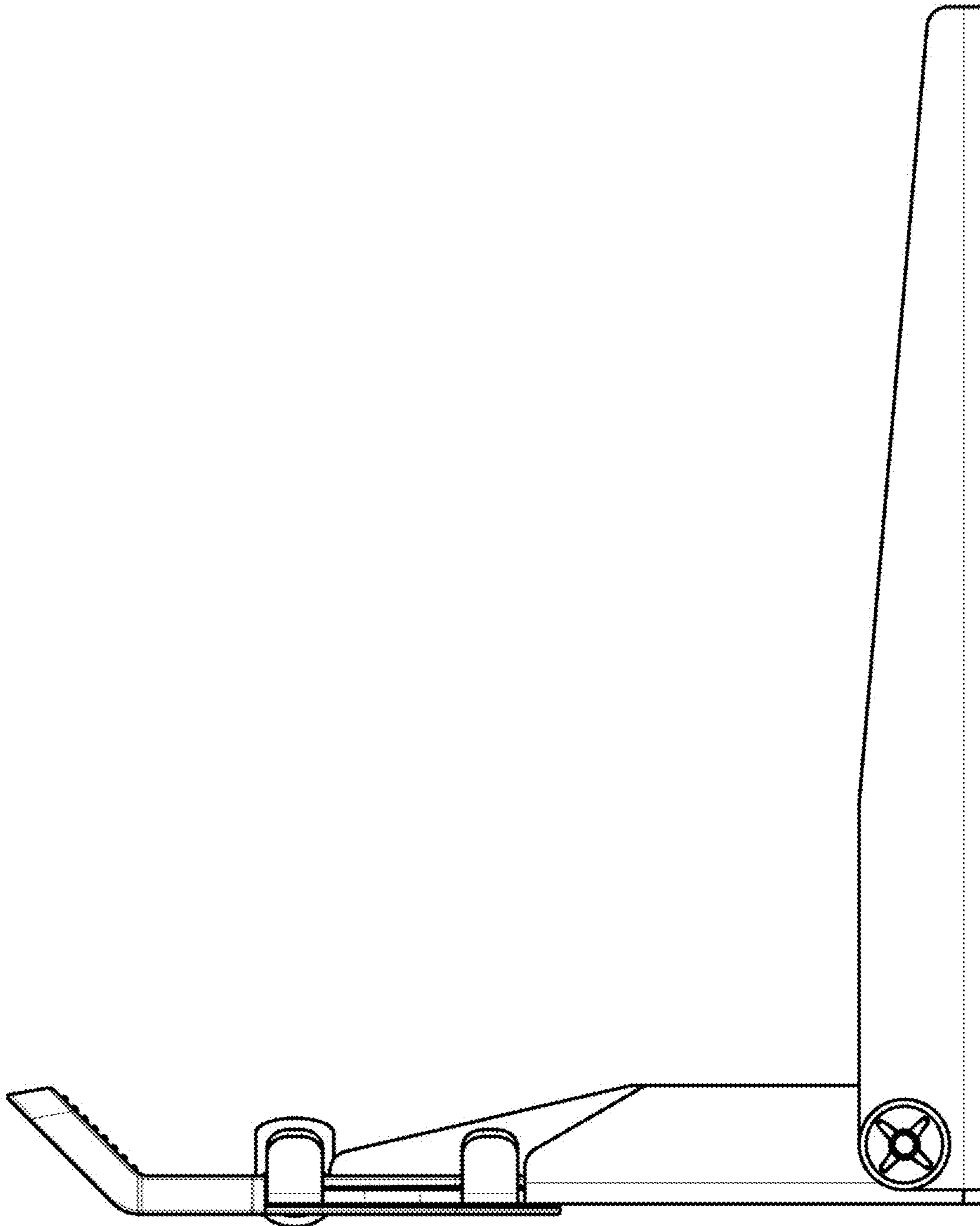


FIG. 7

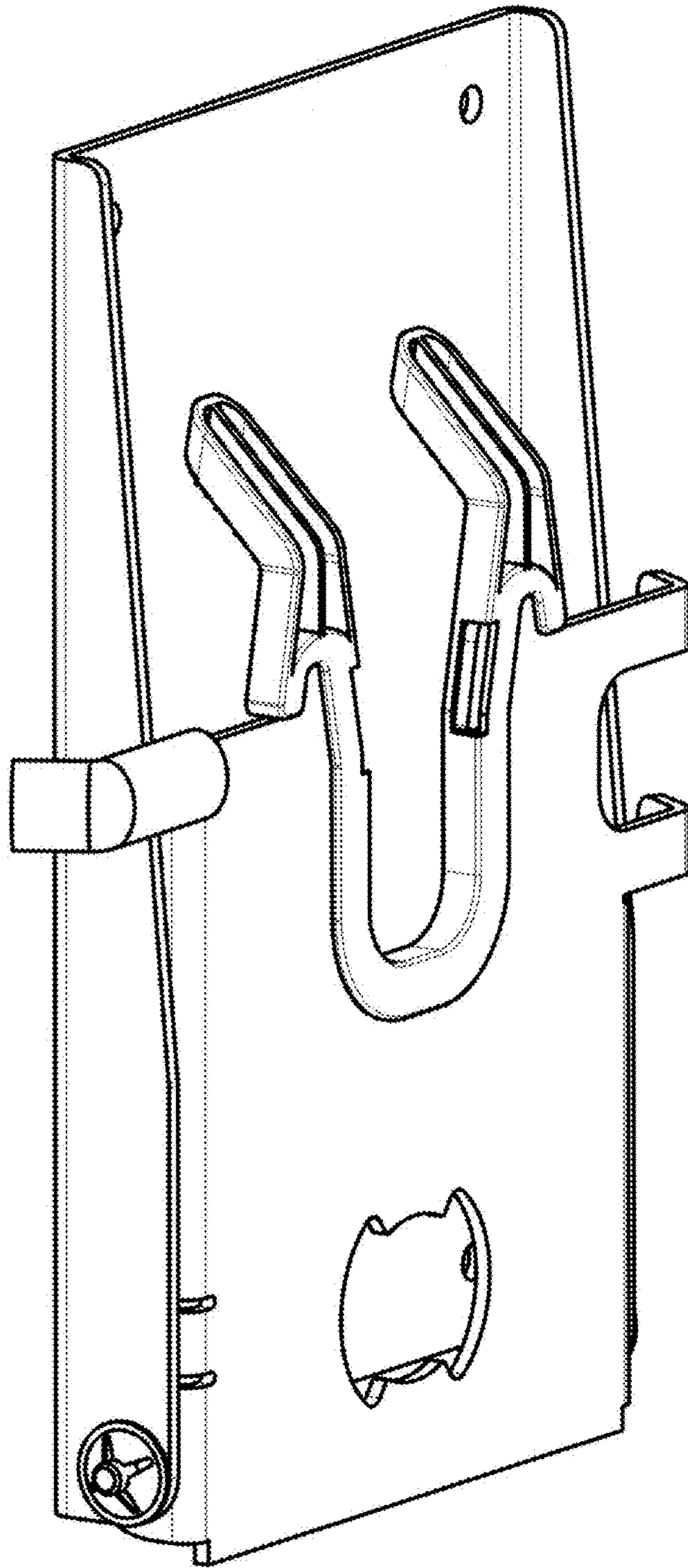


FIG. 8

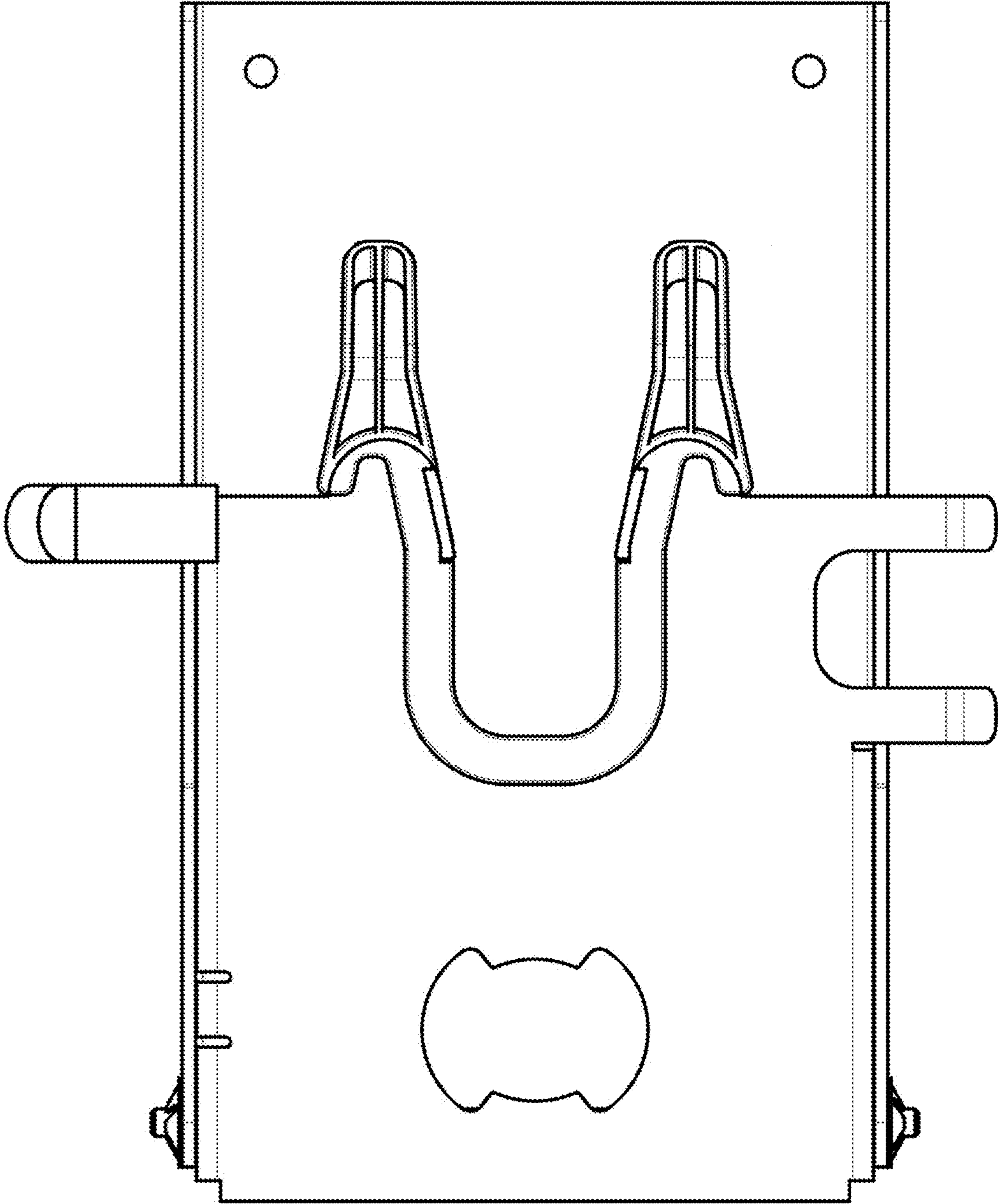


FIG. 9

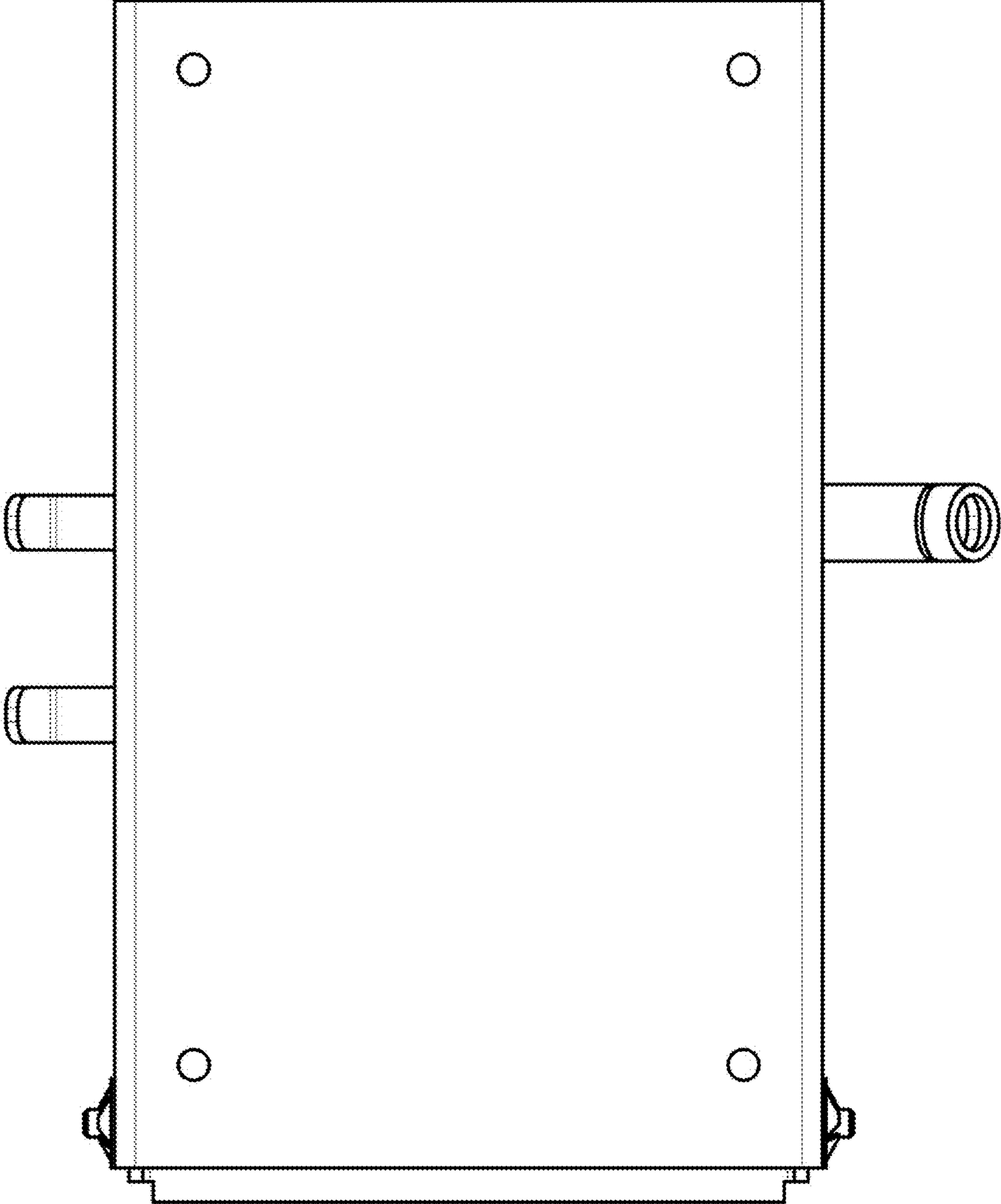


FIG. 10

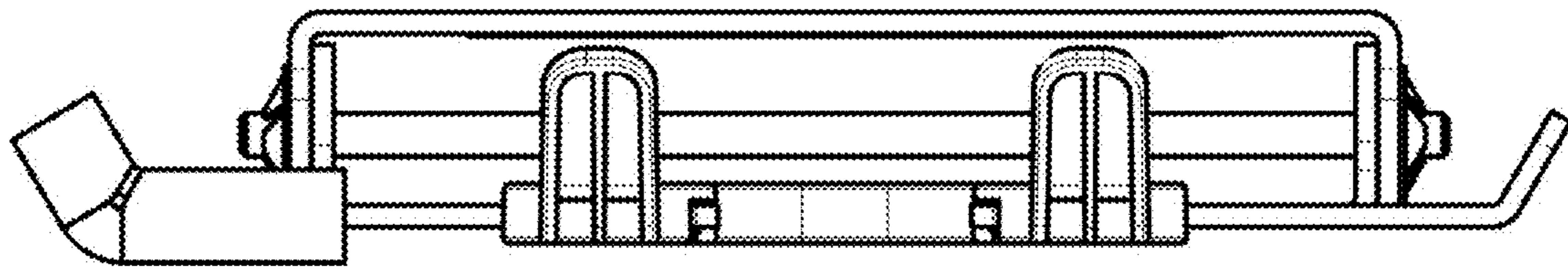


FIG. 11



FIG. 12

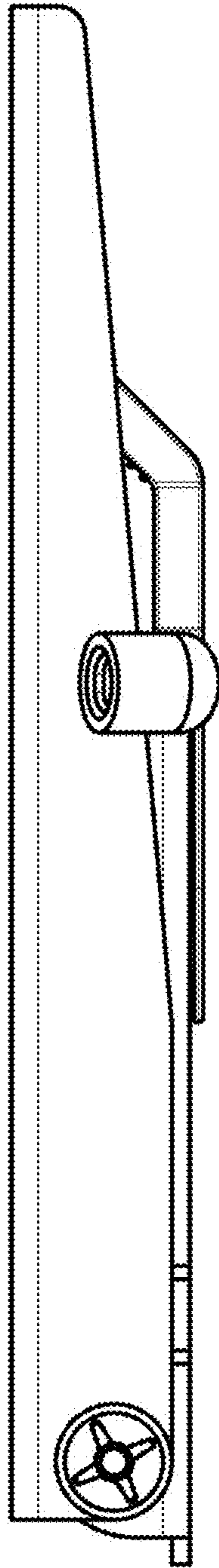


FIG. 13

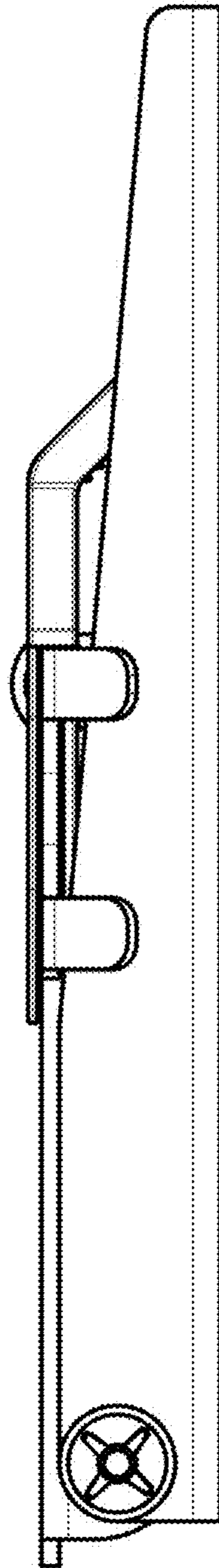


FIG. 14