



US00D929837S

(12) **United States Design Patent** (10) **Patent No.:** **US D929,837 S**
Rivera (45) **Date of Patent:** **** Sep. 7, 2021**

(54) **TOY POWER DRILL**
(71) Applicant: **Learning Resources, Inc.**, Vernon Hills, IL (US)
(72) Inventor: **Sahad Rivera**, Torrance, CA (US)
(73) Assignee: **LEARNING RESOURCES, INC.**, Vernon Hills, IL (US)
(**) Term: **15 Years**
(21) Appl. No.: **29/713,115**
(22) Filed: **Nov. 13, 2019**
(51) **LOC (13) Cl.** **08-05**
(52) **U.S. Cl.**
USPC **D8/68**
(58) **Field of Classification Search**
USPC D8/61, 67, 68; D21/532
CPC B62D 23/005; B62D 29/00; B62D 29/043;
B62D 31/00; B62D 33/046; B62D 35/00;
B62D 35/001; B60Q 1/0005
See application file for complete search history.

D839,069 S * 1/2019 Koeniger D8/68
D869,927 S * 12/2019 Waldron D8/68
D886,561 S * 6/2020 Lundbaeck D8/68
D919,088 S * 5/2021 Fumex D24/146

* cited by examiner

Primary Examiner — Darlington Ly
(74) *Attorney, Agent, or Firm* — Michael Best & Friedrich LLP

(57) **CLAIM**

The ornamental design for a toy power drill, as shown and described.

DESCRIPTION

FIG. 1 is a rear perspective view of a toy power drill showing my new design;
FIG. 2 is a right side elevational view of the toy power drill of FIG. 1;
FIG. 3 is a left side elevational view of the toy power drill of FIG. 1;
FIG. 4 is a top plan view of the toy power drill of FIG. 1;
FIG. 5 is a bottom plan view of the toy power drill of FIG. 1;
FIG. 6 is a front elevational view of the toy power drill of FIG. 1;
FIG. 7 is a rear elevational view of the toy power drill of FIG. 1;
FIG. 8 is a front perspective view of the toy power drill of FIG. 1; and,
FIG. 9 is a front perspective view of the toy power drill of FIG. 1 without the exemplary hex socket bit.
The broken lines in the drawings illustrate portions of the toy power drill and an environmental hex socket bit that do not form part of the claimed design.

1 Claim, 6 Drawing Sheets

(56) **References Cited**

U.S. PATENT DOCUMENTS

2,829,285 A * 4/1958 Steiner B24B 45/00
173/217
D269,020 S * 5/1983 Appel D21/532
D400,074 S * 10/1998 Cooper D8/68
D474,953 S * 5/2003 Santarsiero D8/68
D585,716 S * 2/2009 Taniguchi D8/68
D592,476 S * 5/2009 Aglassinger D8/68
D592,926 S * 5/2009 Aglassinger D8/68
D650,652 S * 12/2011 Aglassinger D8/68
D713,703 S * 9/2014 Wang D8/68
D715,123 S * 10/2014 Siciliano D8/68
8,910,728 B2 * 12/2014 Okuda B25F 5/02
173/93.5

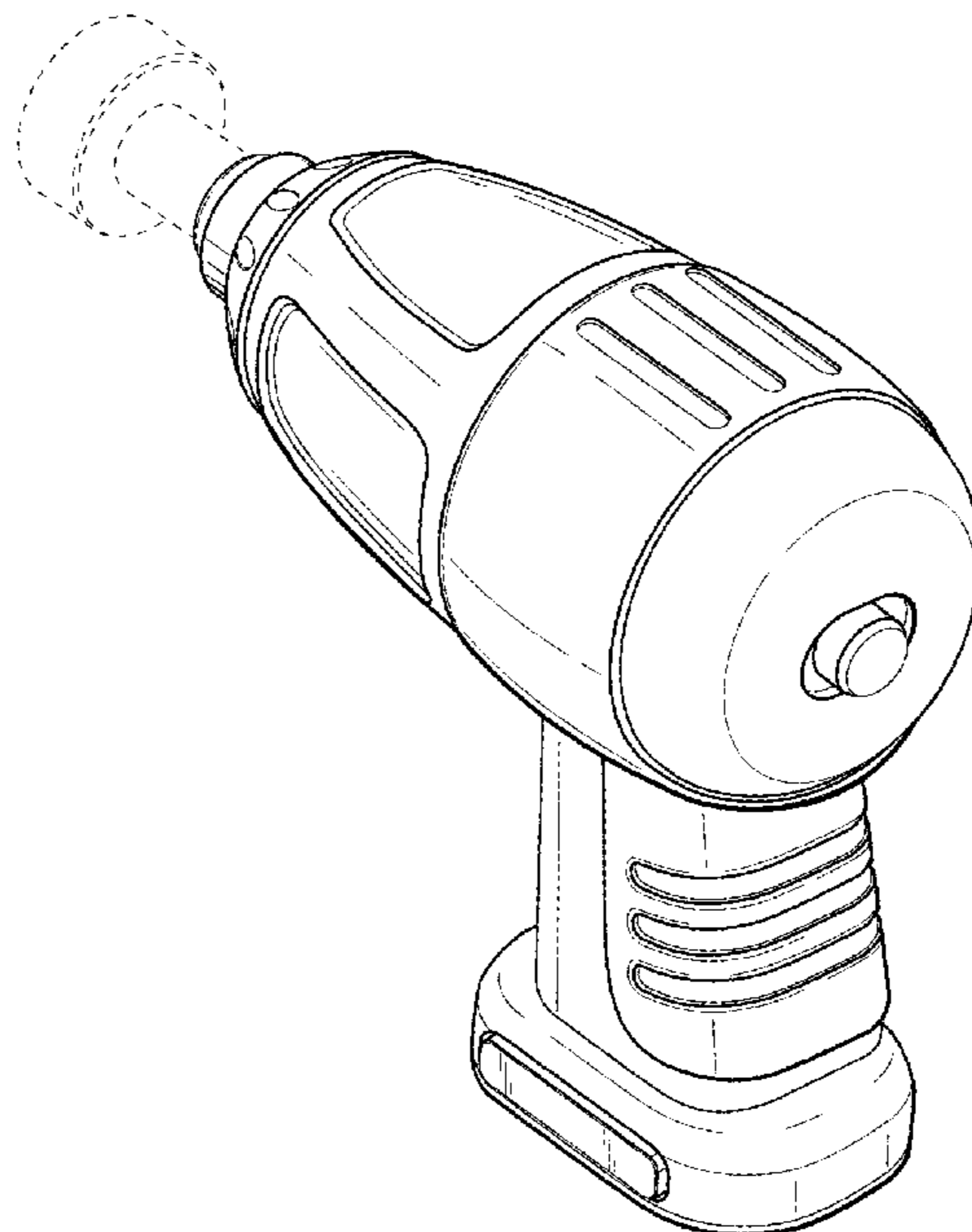


FIG. 1

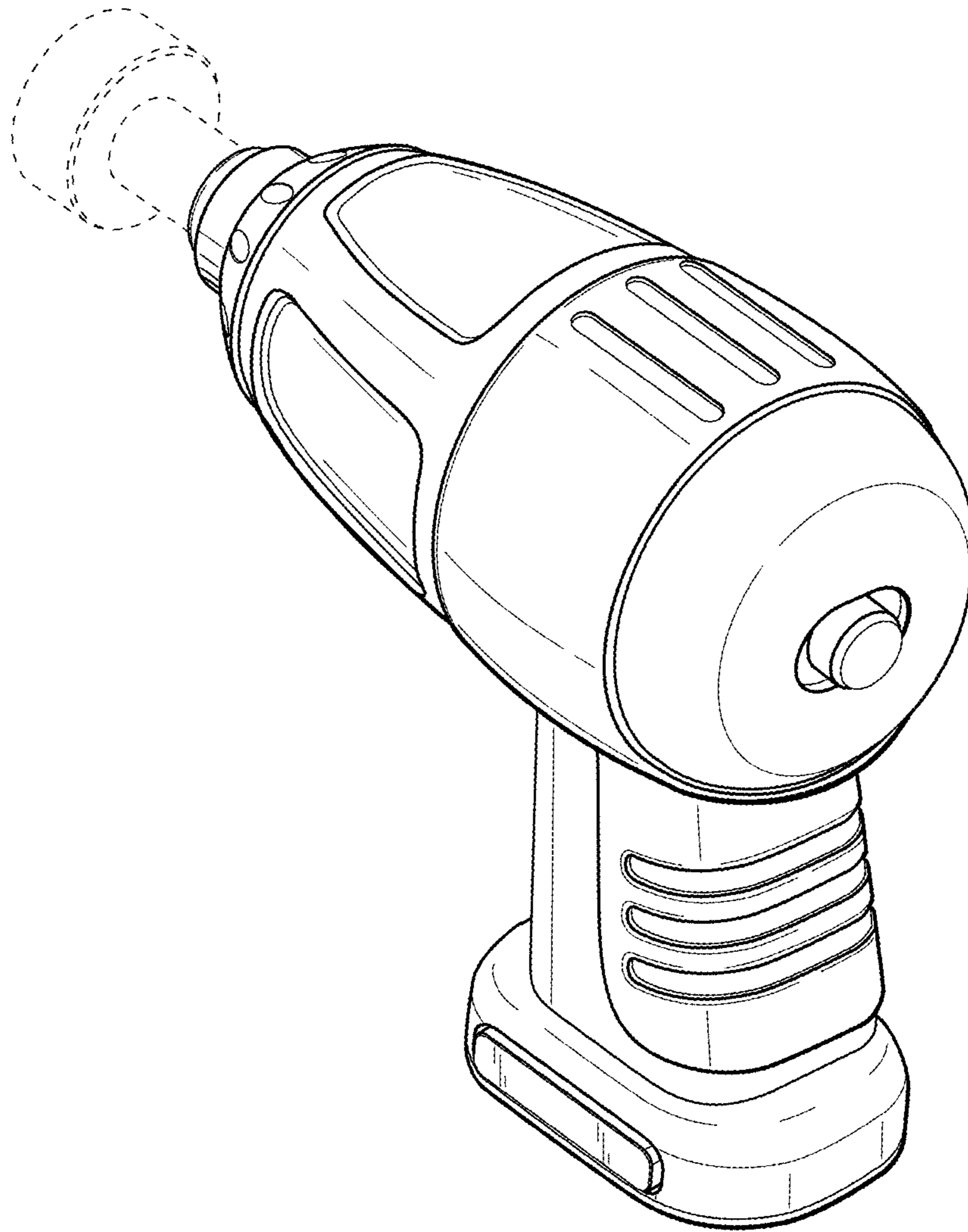


FIG. 2

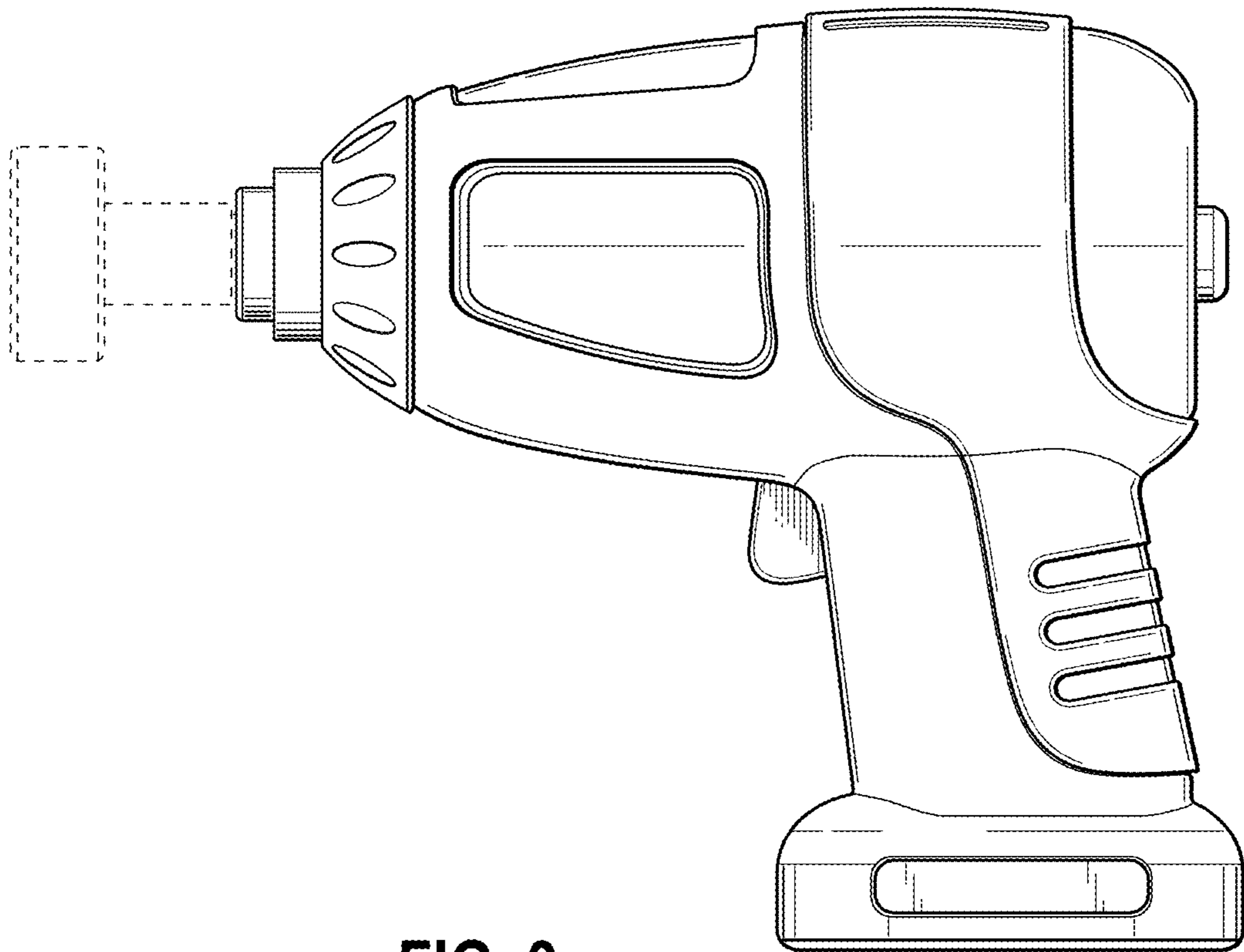


FIG. 3

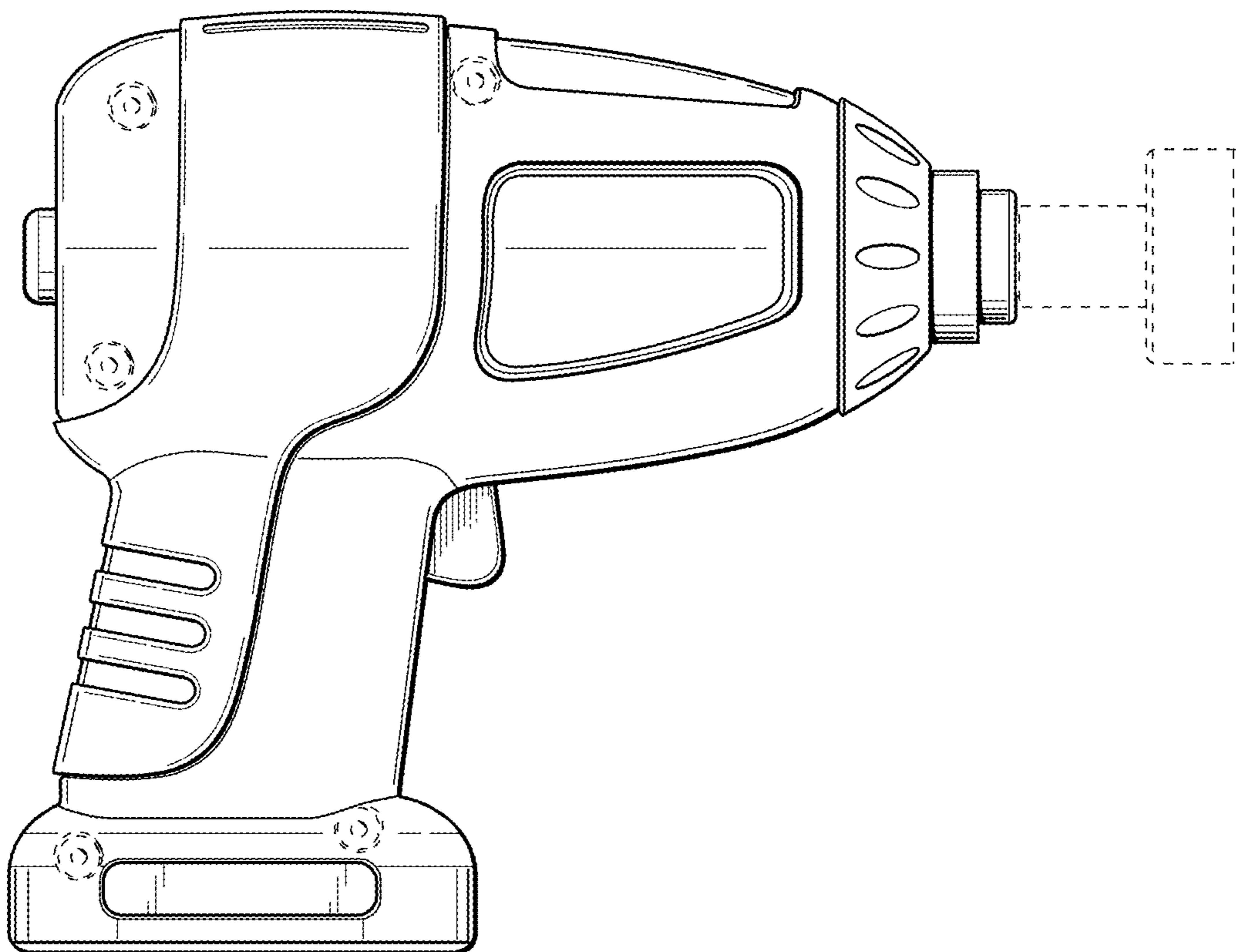


FIG. 4

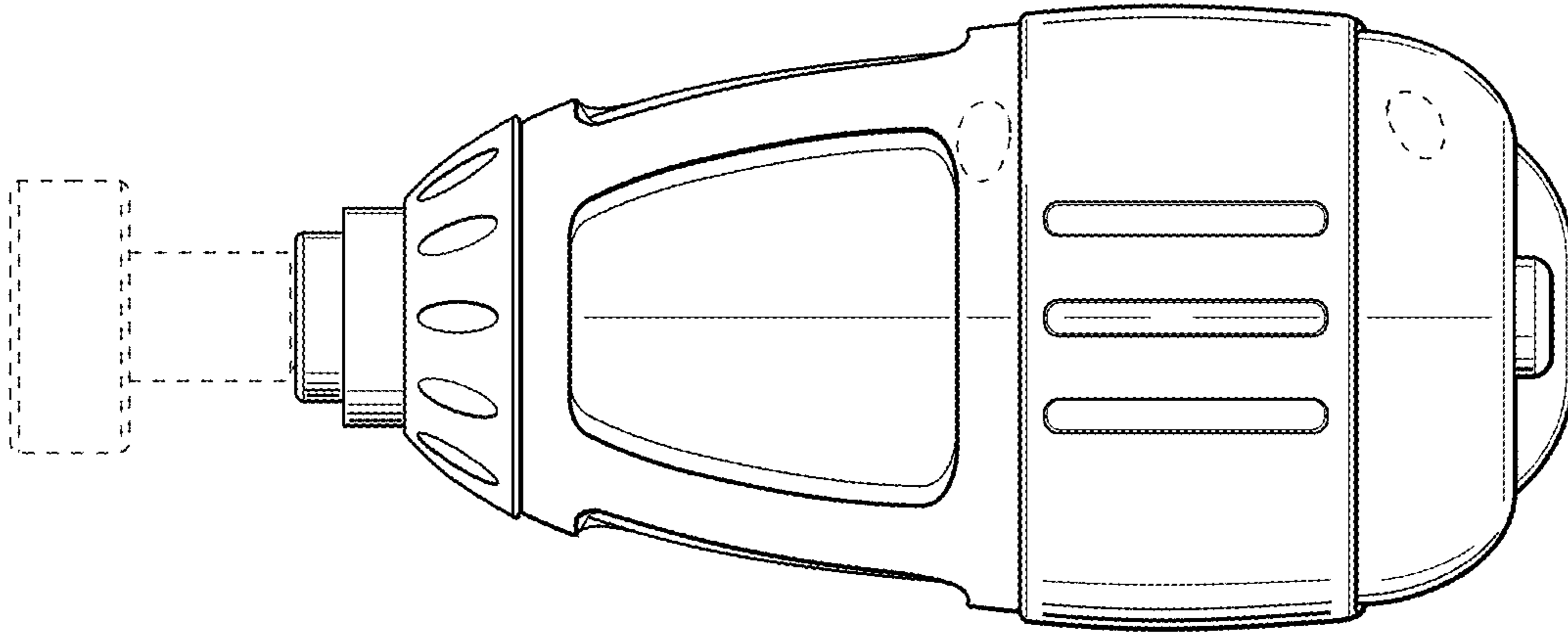


FIG. 5

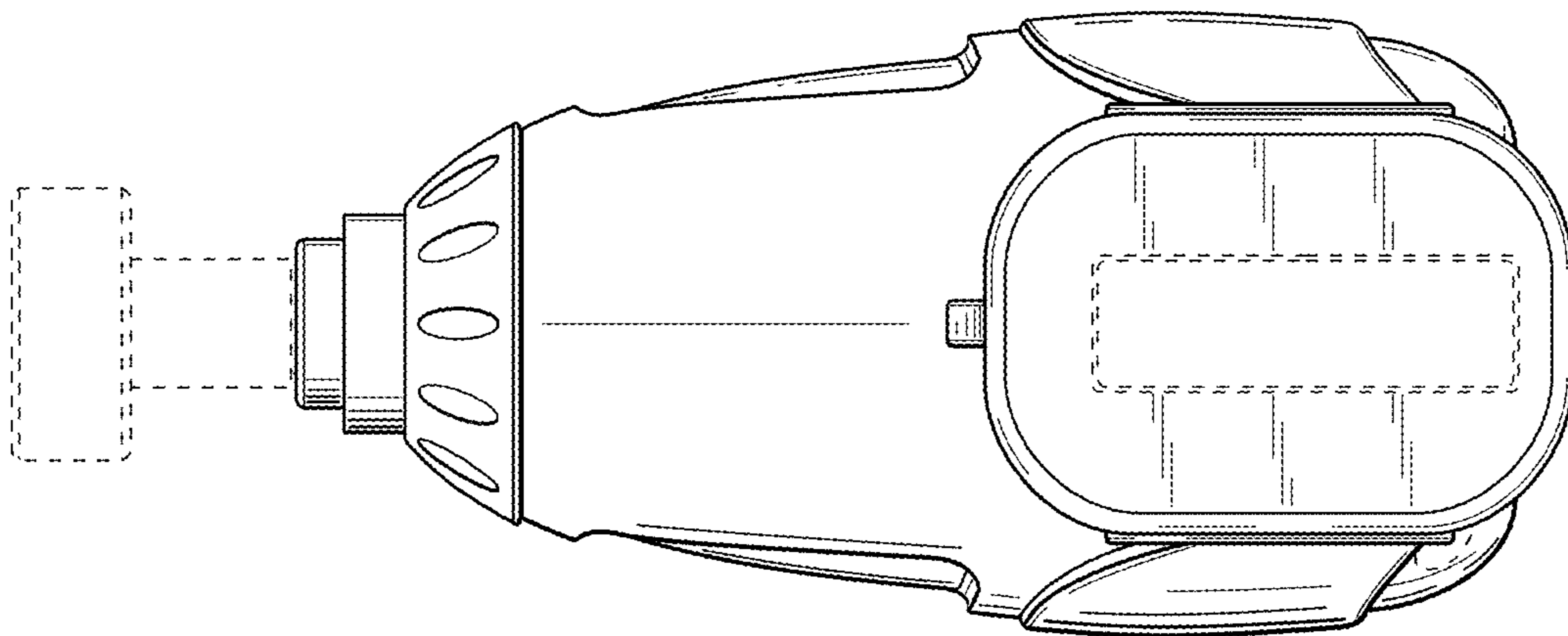


FIG. 6

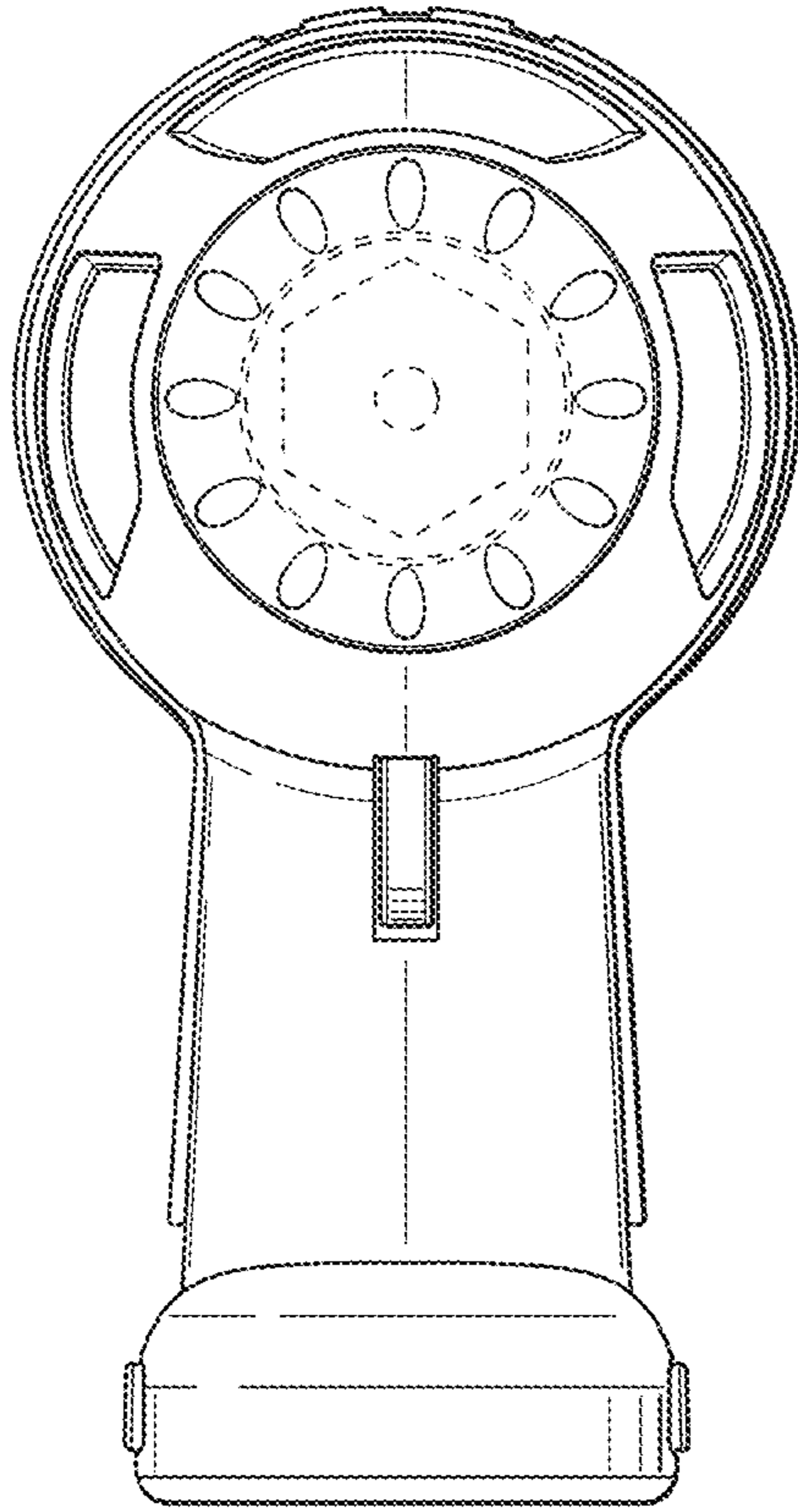


FIG. 7

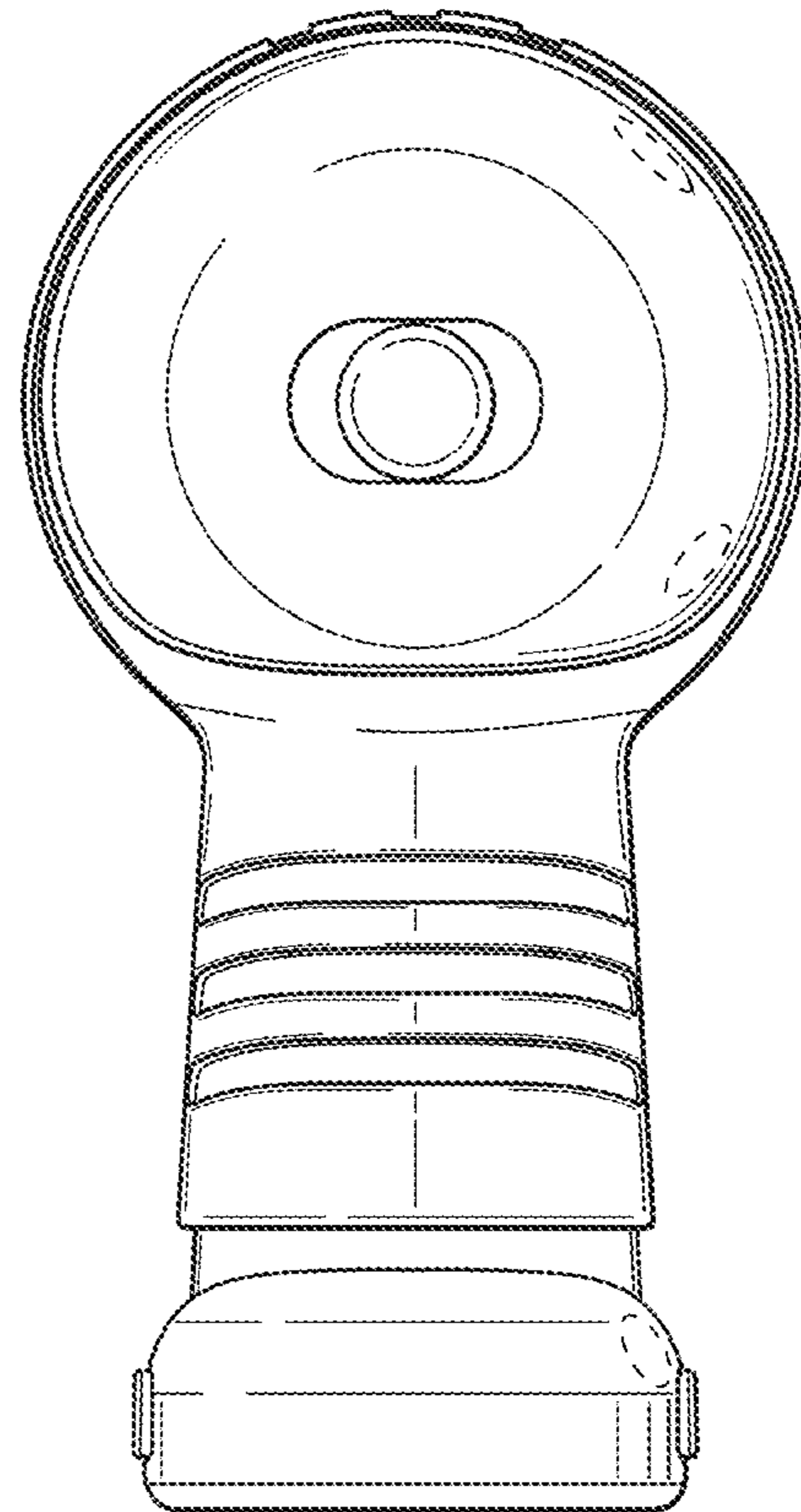


FIG. 8

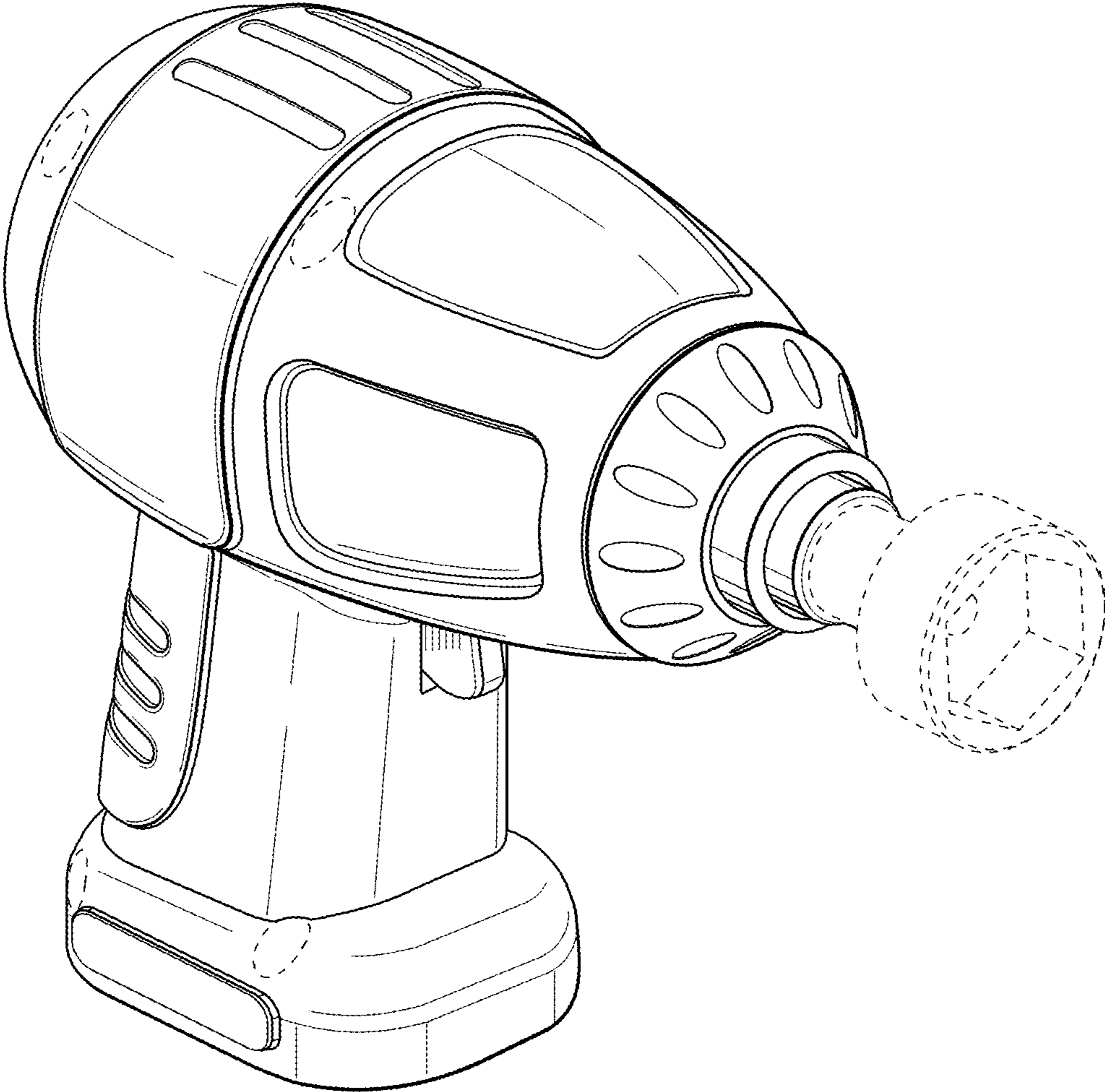


FIG. 9

