



US00D929834S

(12) **United States Design Patent** (10) **Patent No.:** **US D929,834 S**  
**James** (45) **Date of Patent:** **\*\* Sep. 7, 2021**

(54) **IMPACT WRENCH**  
(71) Applicant: **VIS, LLC**, Travelers Rest, SC (US)  
(72) Inventor: **Chad James**, Tylertown, MS (US)  
(73) Assignee: **VIS, LLC**, Travelers Rest, SC (US)  
(\*\*) Term: **15 Years**

D508,836 S \* 8/2005 Schiller ..... D8/68  
D513,690 S \* 1/2006 Etter ..... D8/68  
D537,690 S \* 3/2007 Su ..... D8/68  
D540,641 S \* 4/2007 Clay ..... D8/68  
7,673,702 B2 \* 3/2010 Johnson ..... B25B 21/00  
173/93  
D664,413 S \* 7/2012 Steinfels ..... D8/68  
D716,125 S \* 10/2014 Yaschur ..... D8/68  
D775,919 S \* 1/2017 Lee ..... D8/68  
D899,208 S \* 10/2020 Thompson ..... D8/68

(Continued)

(21) Appl. No.: **29/701,895**

(22) Filed: **Aug. 15, 2019**

(51) **LOC (13) Cl.** ..... **08-05**

(52) **U.S. Cl.**  
USPC ..... **D8/68**

(58) **Field of Classification Search**  
USPC ..... D8/61, 67, 68  
CPC .... B62D 23/005; B62D 29/00; B62D 29/043;  
B62D 31/00; B62D 33/046; B62D 35/00;  
B62D 35/001; B60Q 1/0005  
See application file for complete search history.

(56) **References Cited**

**U.S. PATENT DOCUMENTS**

5,083,619 A \* 1/1992 Giardino ..... B25B 21/02  
173/104  
D339,726 S \* 9/1993 Bruno ..... D8/68  
D388,678 S \* 1/1998 Bantly ..... D8/68  
D393,580 S \* 4/1998 Bantly ..... D8/68  
D434,297 S \* 11/2000 Iritani ..... D8/68  
D434,958 S \* 12/2000 Izumisawa ..... D8/68  
D436,818 S \* 1/2001 Izumisawa ..... D8/68  
D461,110 S \* 8/2002 Izumisawa ..... D8/68  
D469,673 S \* 2/2003 Sliker ..... D8/68  
D476,210 S \* 6/2003 Chen ..... D8/68  
D496,243 S \* 9/2004 Huang ..... D8/68  
D497,529 S \* 10/2004 Price ..... D8/68  
D497,787 S \* 11/2004 Liao ..... D8/68  
6,883,619 B1 \* 4/2005 Huang ..... B25B 21/02  
173/168  
D507,732 S \* 7/2005 Nowak ..... D8/68

**OTHER PUBLICATIONS**

Bradley Ford. "The 10 Best Cordless Impact Wrenches." Popular Mechanics., Mar. 19, 2020 [online], [retrieved on Jun. 6, 2021]. Retrieved from the Internet <URL: <https://www.popularmechanics.com/home/tools/reviews/g2028/the-best-impact-wrenches/>>.\*

(Continued)

*Primary Examiner* — Darlington Ly  
(74) *Attorney, Agent, or Firm* — J. Bennett Mullinax LLC

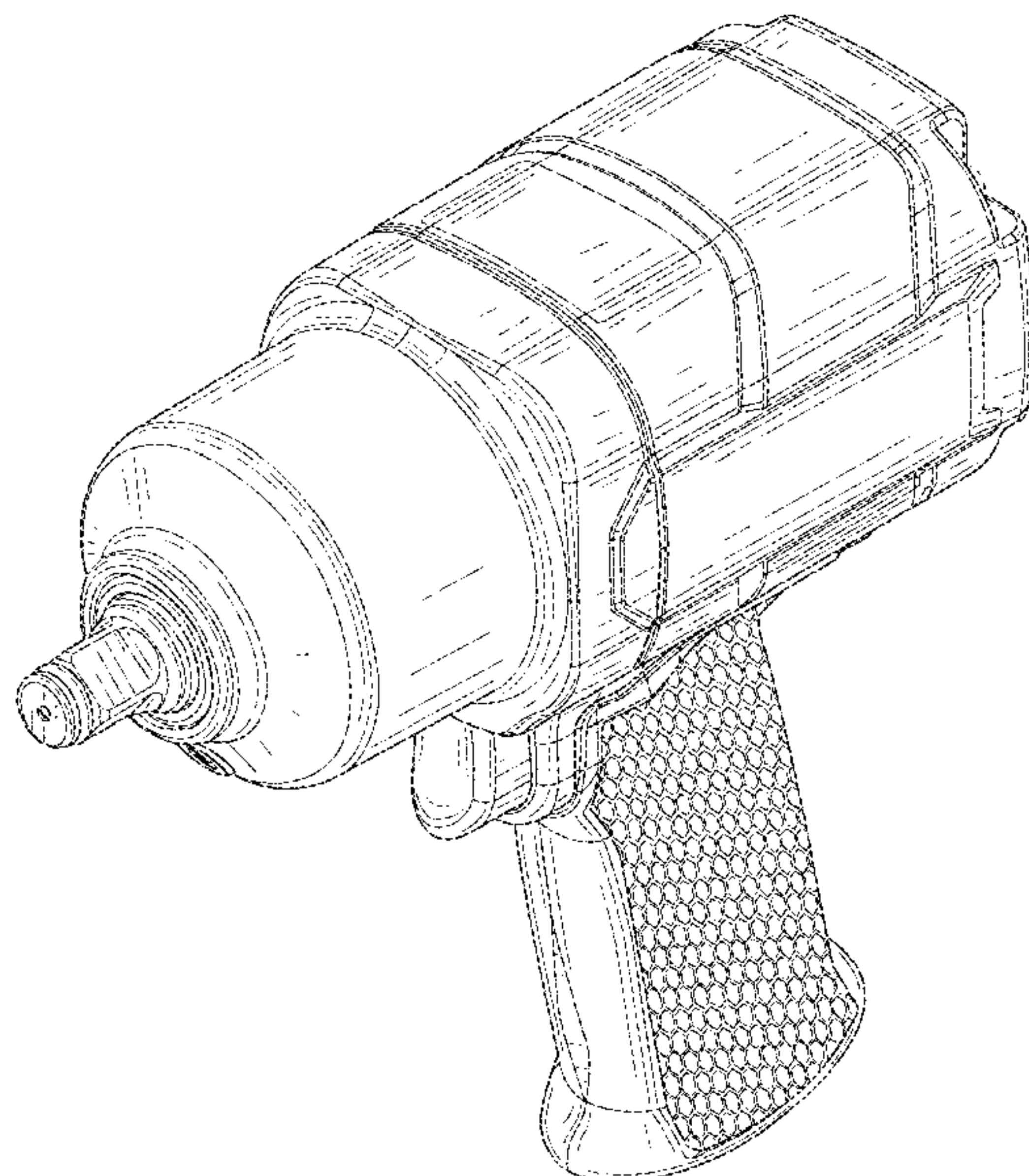
(57) **CLAIM**

The ornamental design for an impact wrench, as shown and described.

**DESCRIPTION**

FIG. 1 is a front perspective view of an impact wrench embodying my new design;  
FIG. 2 is a front elevation view thereof;  
FIG. 3 is a rear elevation view thereof;  
FIG. 4 is a left side elevation view thereof;  
FIG. 5 is a right side elevation view thereof;  
FIG. 6 is a top plan view thereof; and,  
FIG. 7 is a bottom plan view thereof.  
The broken lines in FIGS. 3-7 are for the purpose of illustrating portions of the impact wrench and form no part of the claimed design.

**1 Claim, 6 Drawing Sheets**



(56)

**References Cited**

U.S. PATENT DOCUMENTS

D899,210 S \* 10/2020 Thompson ..... D8/68  
D906,076 S \* 12/2020 James ..... D8/68

OTHER PUBLICATIONS

“The Best Cordless Impact Wrench Reviews & Buyer’s Guide.”  
Cordless Drill Zone., Feb. 14, 2020 [online], [retrieved on Jun. 6,  
2021]. Retrieved from the Internet <URL: <https://cordlessdrillzone.com/best-cordless-impact-wrench/>>.\*

“10 Best Air Impact Wrench in 2018 [ Reviewed After Research ].”  
Air Compressor Agency., Feb. 23, 2018 [online], [retrieved on Jun.  
6, 2021]. Retrieved from the Internet <URL: <https://topaircompressorreviews.com/best-air-impact-wrench-reviews/>>.\*

Todd Fratzel. “Impact Driver Head to Head.” Tool Box Buzz., Jun.  
17, 2017 [online], [retrieved on Jun. 6, 2021]. Retrieved from the  
Internet <URL: <https://www.toolboxbuzz.com/cordless-tools/impact-driver/impact-driver-head-to-head/>>.\*

\* cited by examiner

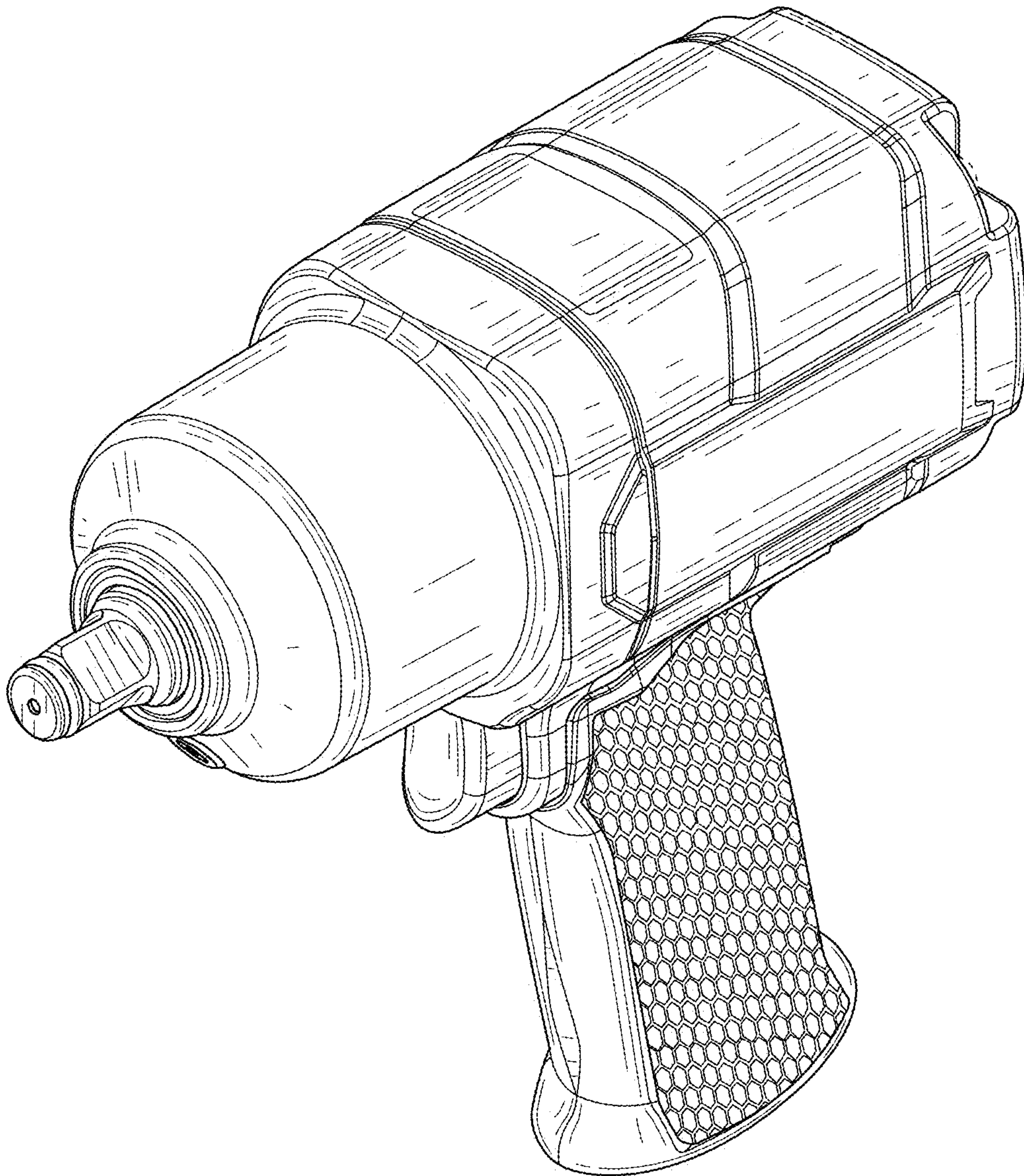


FIG. 1



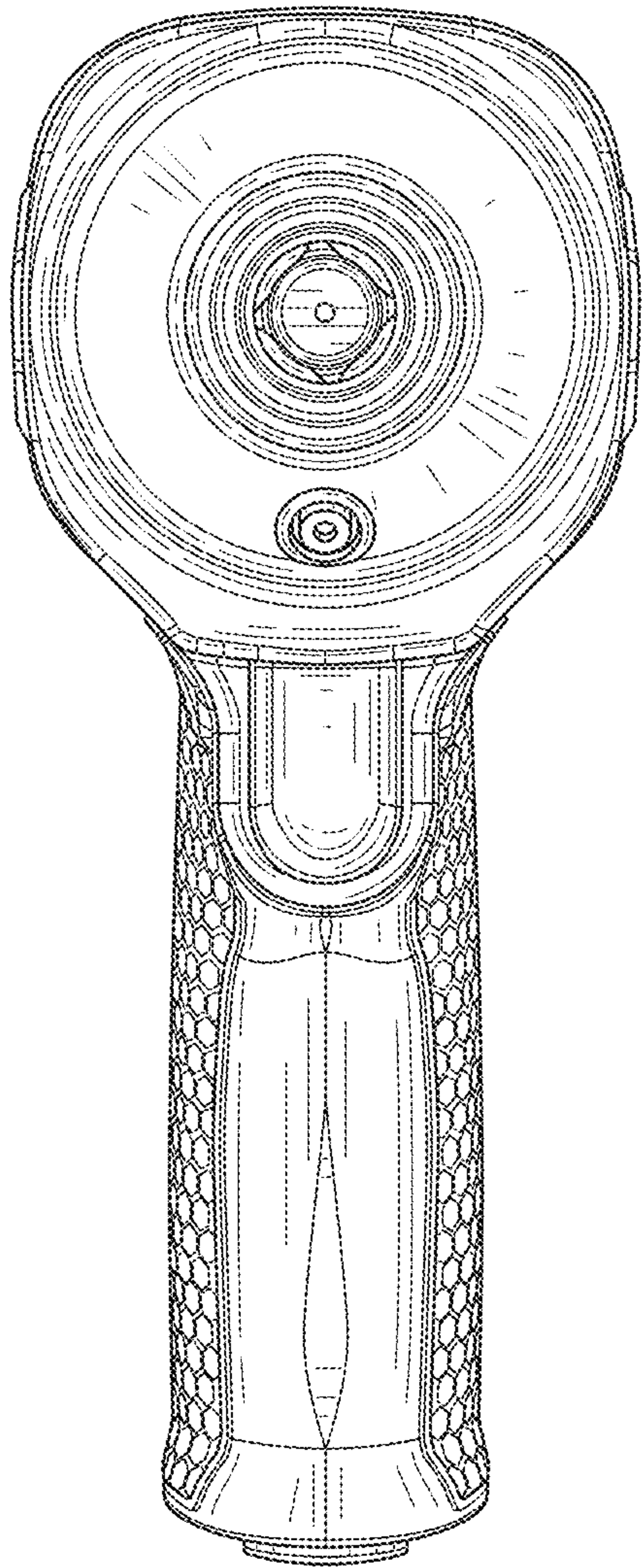


FIG. 2

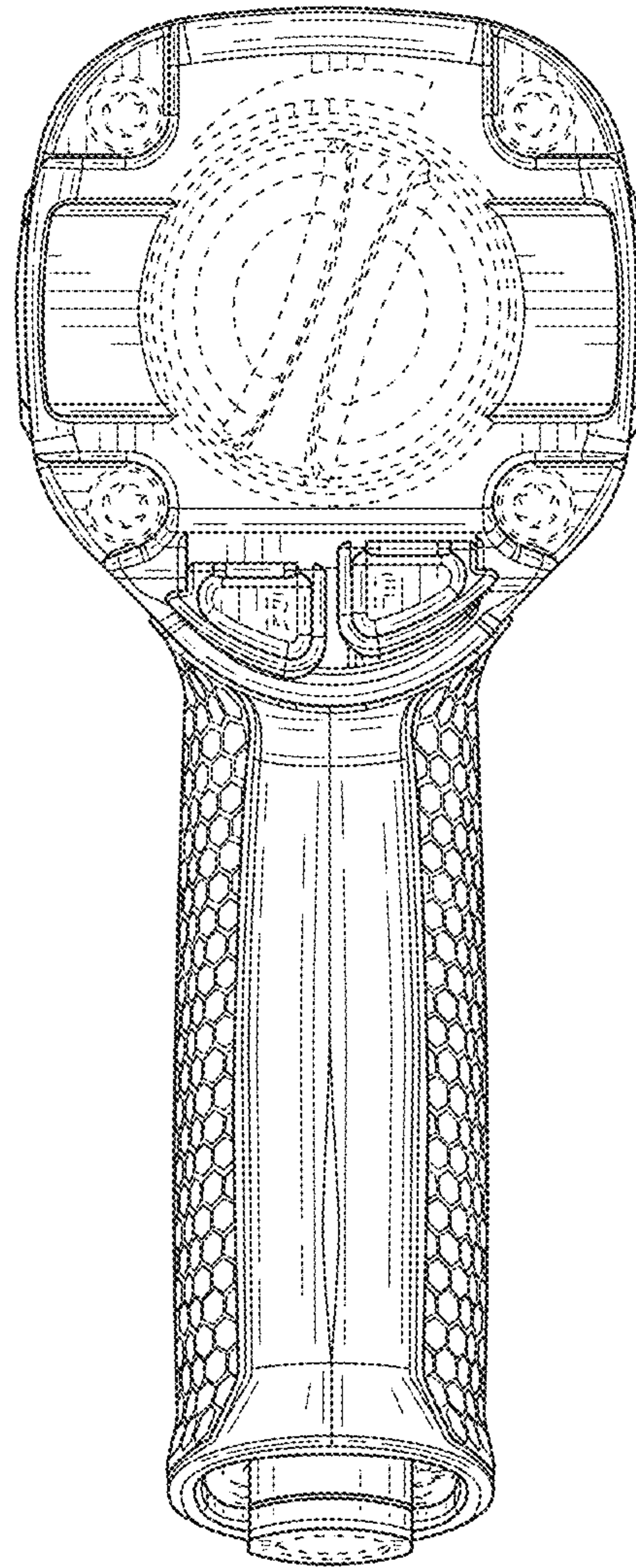


FIG. 3

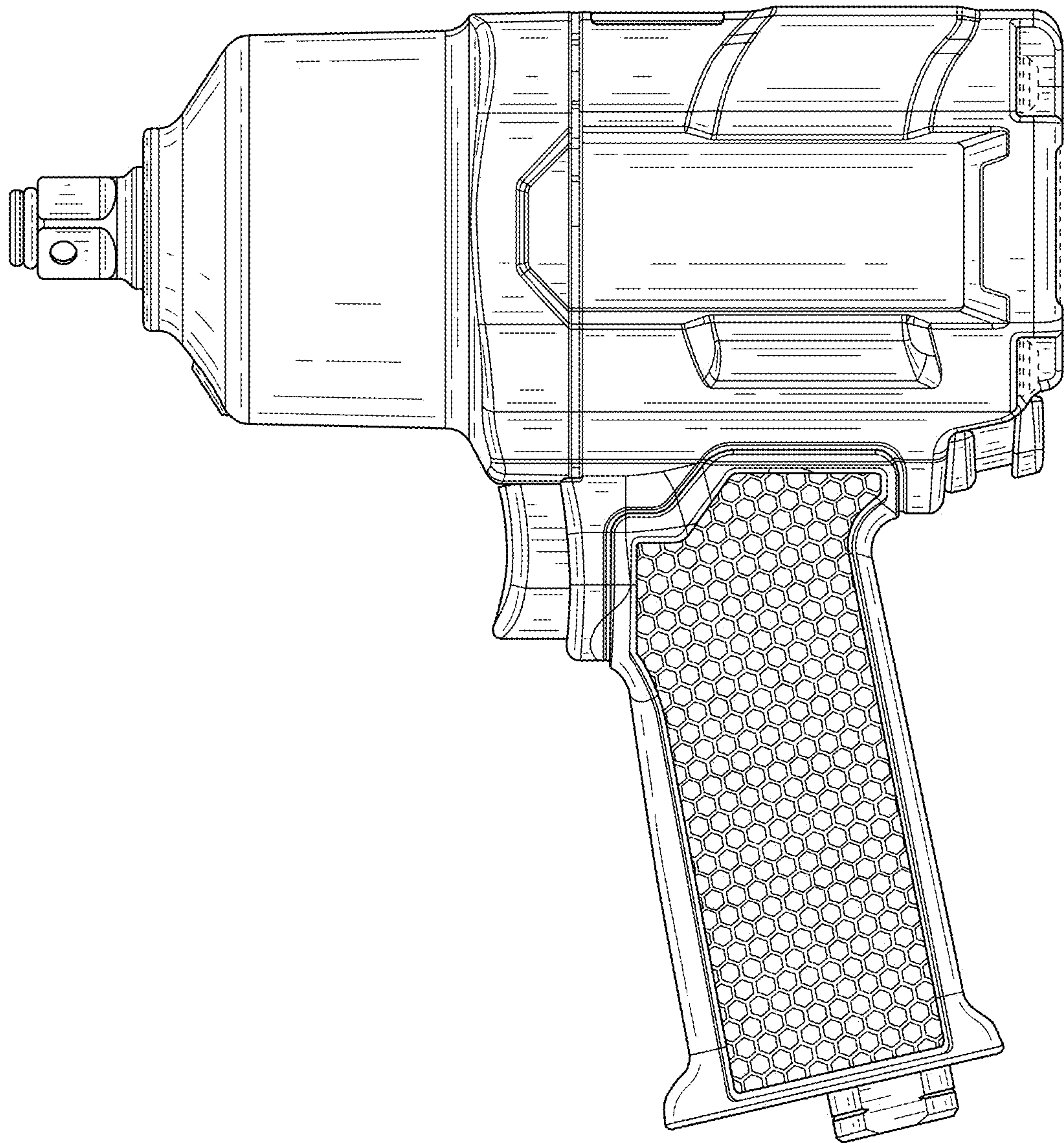


FIG. 4



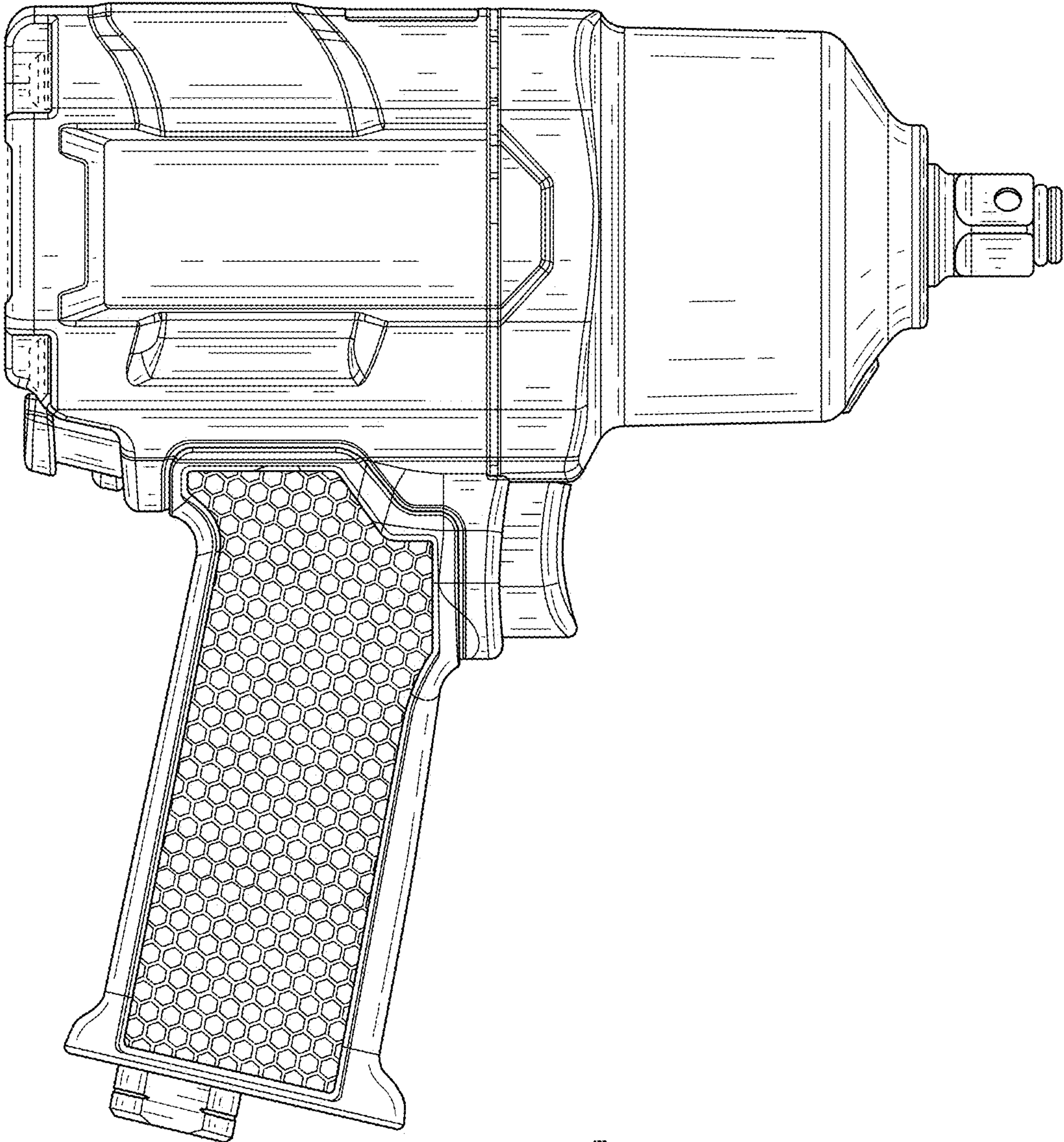


FIG. 5

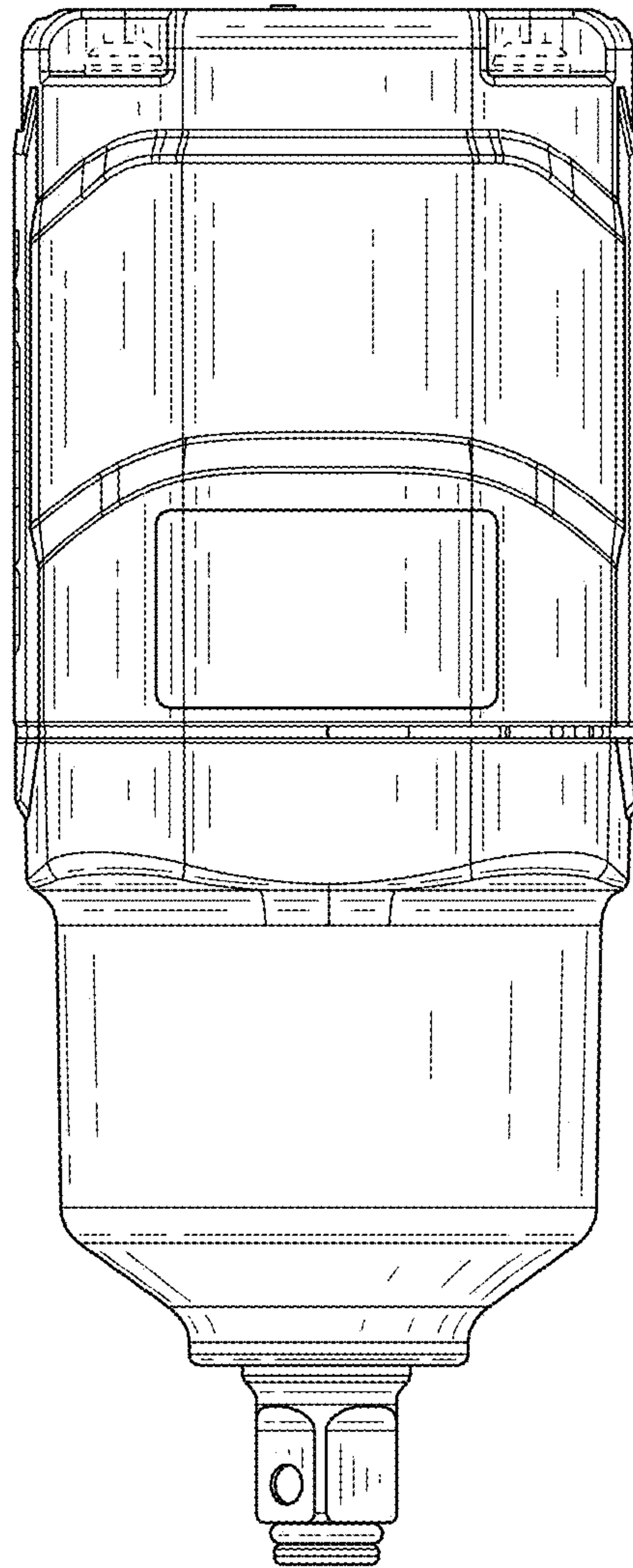


FIG. 6

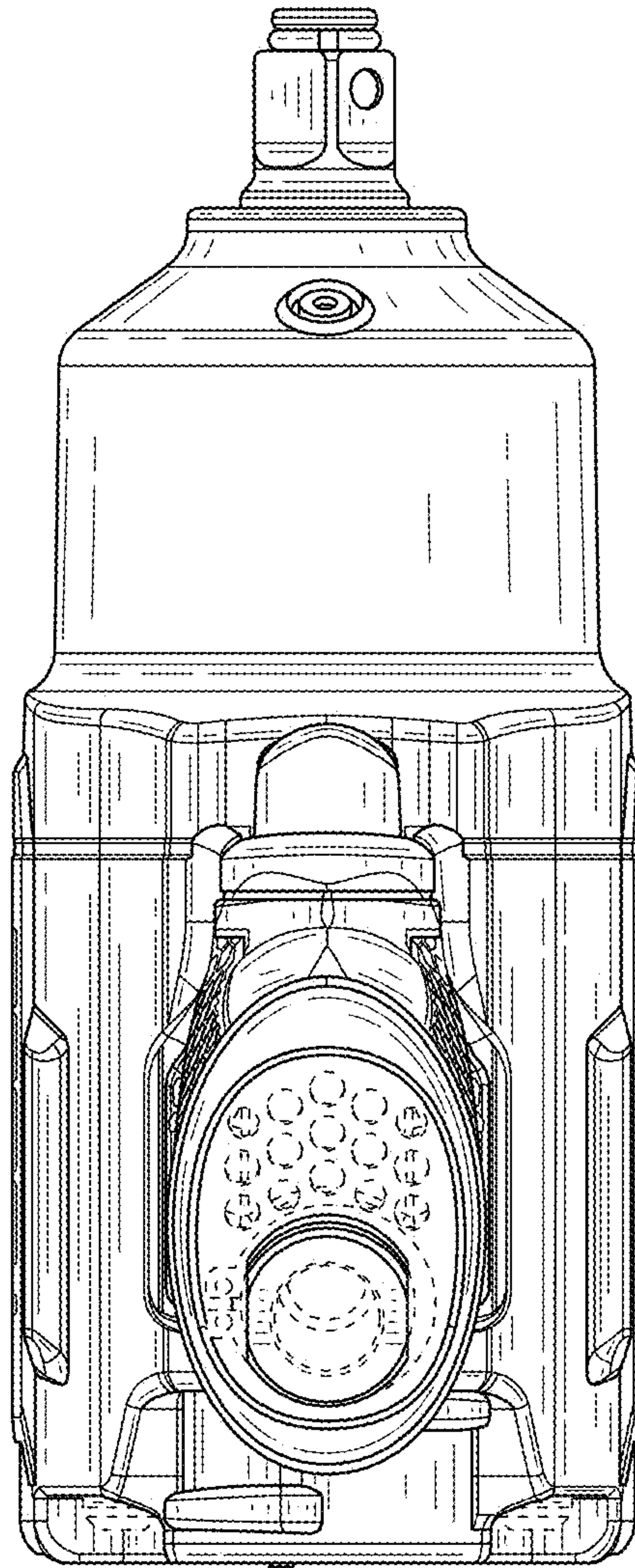


FIG. 7