



US00D929831S

(12) **United States Design Patent** (10) **Patent No.:** **US D929,831 S**
Pan (45) **Date of Patent:** **** Sep. 7, 2021**

(54) **CAN OPENER**
(71) Applicant: **Yun Pan**, Guangdong (CN)
(72) Inventor: **Yun Pan**, Guangdong (CN)
(**) Term: **15 Years**
(21) Appl. No.: **29/721,426**
(22) Filed: **Jan. 21, 2020**
(30) **Foreign Application Priority Data**
Jul. 22, 2019 (CN) 201930390244.9
(51) **LOC (13) Cl.** **07-99**
(52) **U.S. Cl.**
USPC **D8/36**
(58) **Field of Classification Search**
USPC D8/18, 33-43
CPC B67B 7/00; B67B 7/04; B67B 7/0423;
B67B 7/16; B67B 7/162; B67B 7/18;
B67B 7/24; B67B 7/30; B67B 7/38;
B67B 7/44
See application file for complete search history.

(56) **References Cited**
U.S. PATENT DOCUMENTS
D219,200 S * 11/1970 McCue D8/35
3,689,999 A * 9/1972 Swanke B67B 7/38
30/401
D229,603 S * 12/1973 Eckel D8/36
D240,700 S * 7/1976 Scott D8/35
D291,173 S * 8/1987 Stowell D8/36
D324,157 S * 2/1992 Gildersieve D8/35
D348,813 S * 7/1994 Klein D8/36
D362,377 S * 9/1995 Schweizer D8/35
D366,404 S * 1/1996 Indindoli D8/36
D384,561 S * 10/1997 Carbone D8/36
D387,643 S * 12/1997 Laude D8/35

D388,674 S * 1/1998 McCloskey D8/35
D408,235 S * 4/1999 Alonge D8/35
D409,063 S * 5/1999 Chan D8/36
D410,827 S * 6/1999 Conrado D8/35
D411,789 S * 7/1999 Conrado D8/35
D432,374 S * 10/2000 Cruz D8/35
D468,979 S * 1/2003 Picozza D8/35
D520,313 S * 5/2006 Miller D8/36
D587,078 S * 2/2009 Garman D8/36
D605,915 S * 12/2009 Garman D8/36
D641,601 S * 7/2011 Bock D8/36
8,079,152 B2 * 12/2011 Garman B67B 7/30
30/400
8,312,633 B2 * 11/2012 Garman B67B 7/16
30/400
D896,048 S * 9/2020 Walraven B67B 7/38
D8/36

* cited by examiner

Primary Examiner — Elizabeth A. Albert
(74) *Attorney, Agent, or Firm* — Cantor Colburn LLP

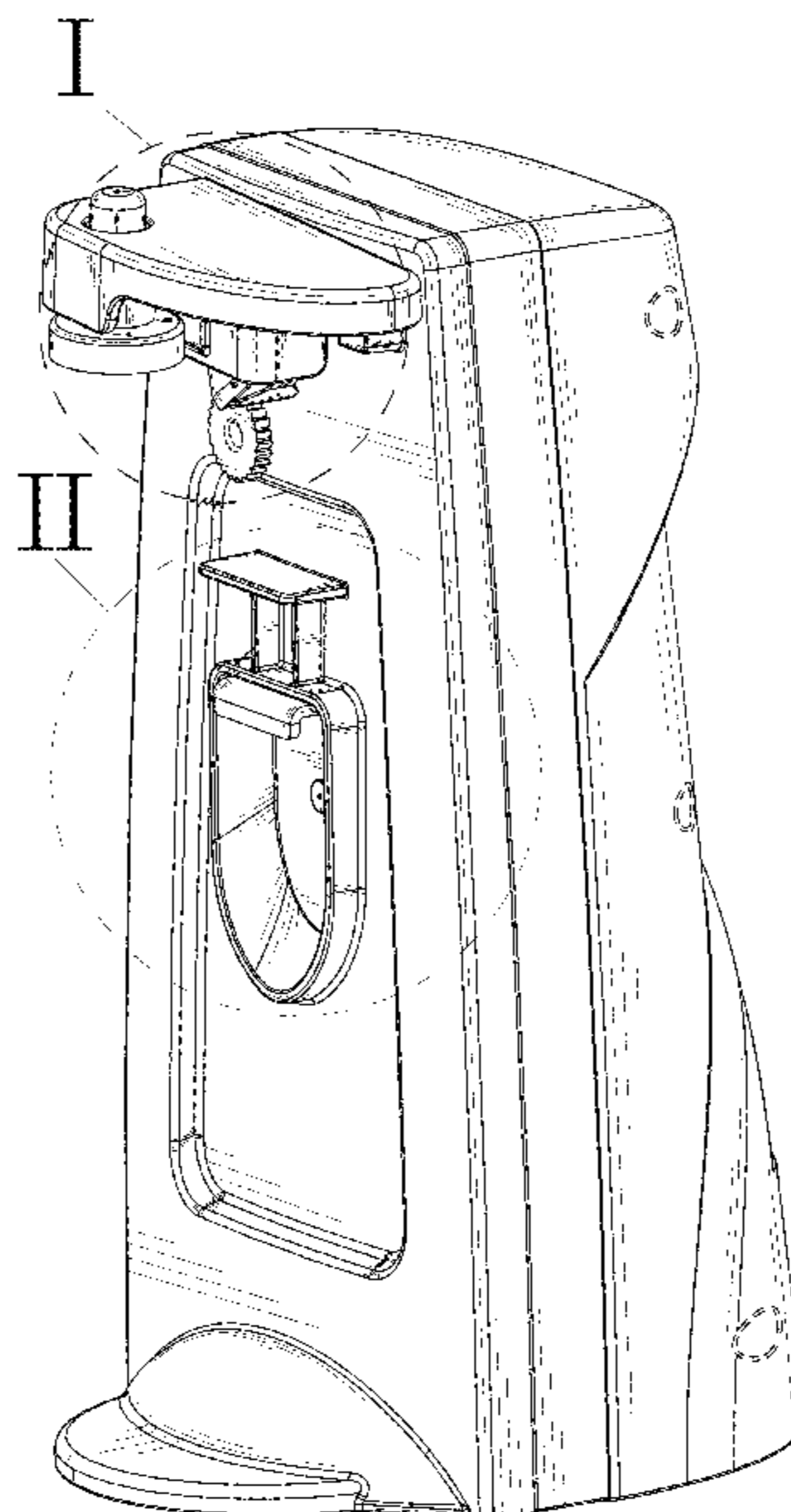
(57) **CLAIM**

The ornamental design for a “can opener”, as shown and described.

DESCRIPTION

FIG. 1 is a front perspective view of a can opener;
FIG. 2 is a rear perspective view thereof;
FIG. 3 is a front view thereof;
FIG. 4 is a rear view thereof;
FIG. 5 is a left side view thereof;
FIG. 6 is a right side view thereof;
FIG. 7 is a top view thereof;
FIG. 8 is a bottom view thereof;
FIG. 9 is a partial enlarged view of I in FIG. 1; and,
FIG. 10 is a partial enlarged view of II in FIG. 1.
The broken lines are included to show features that form no part of the claimed design.

1 Claim, 10 Drawing Sheets



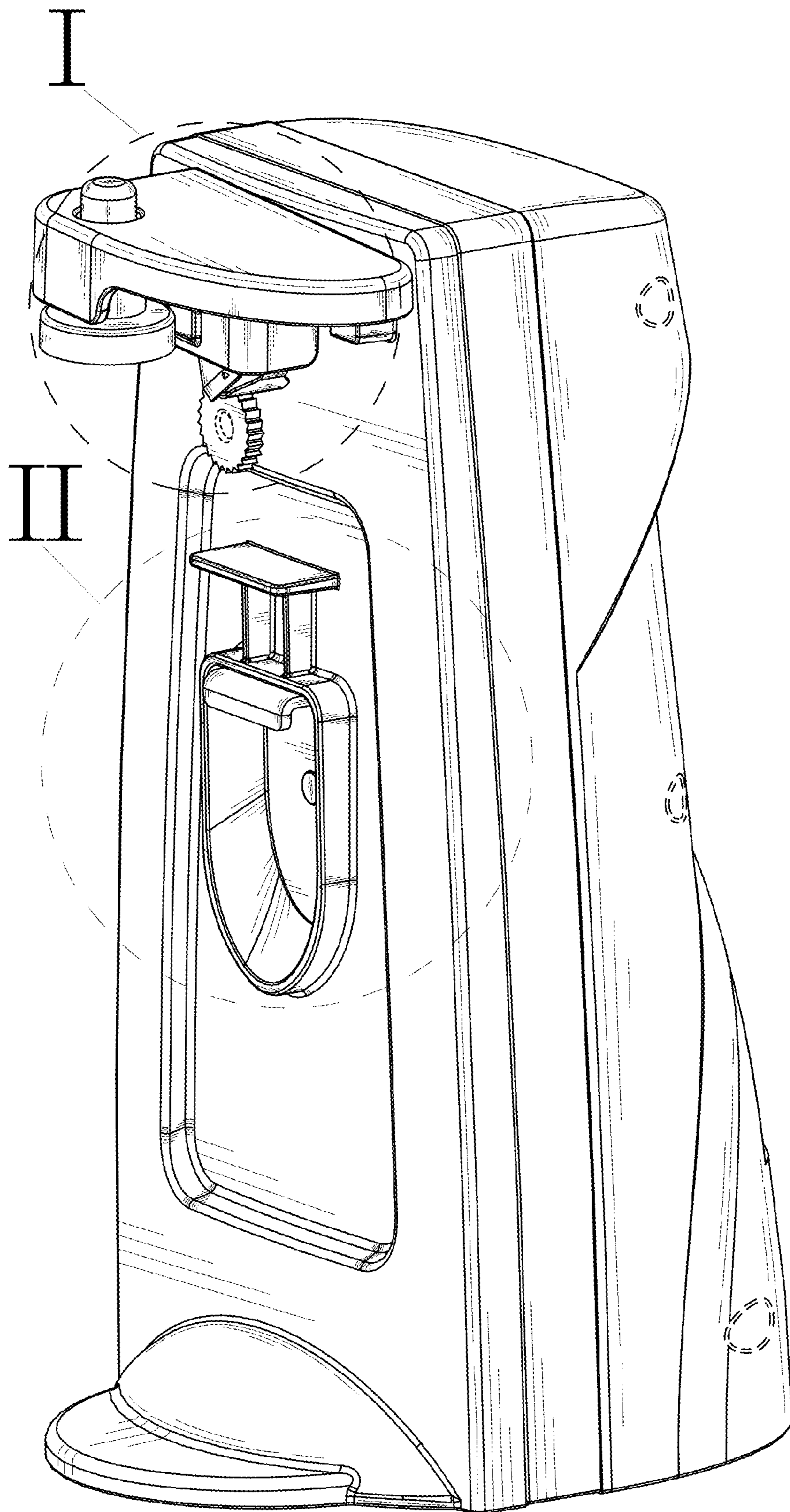


FIG. 1

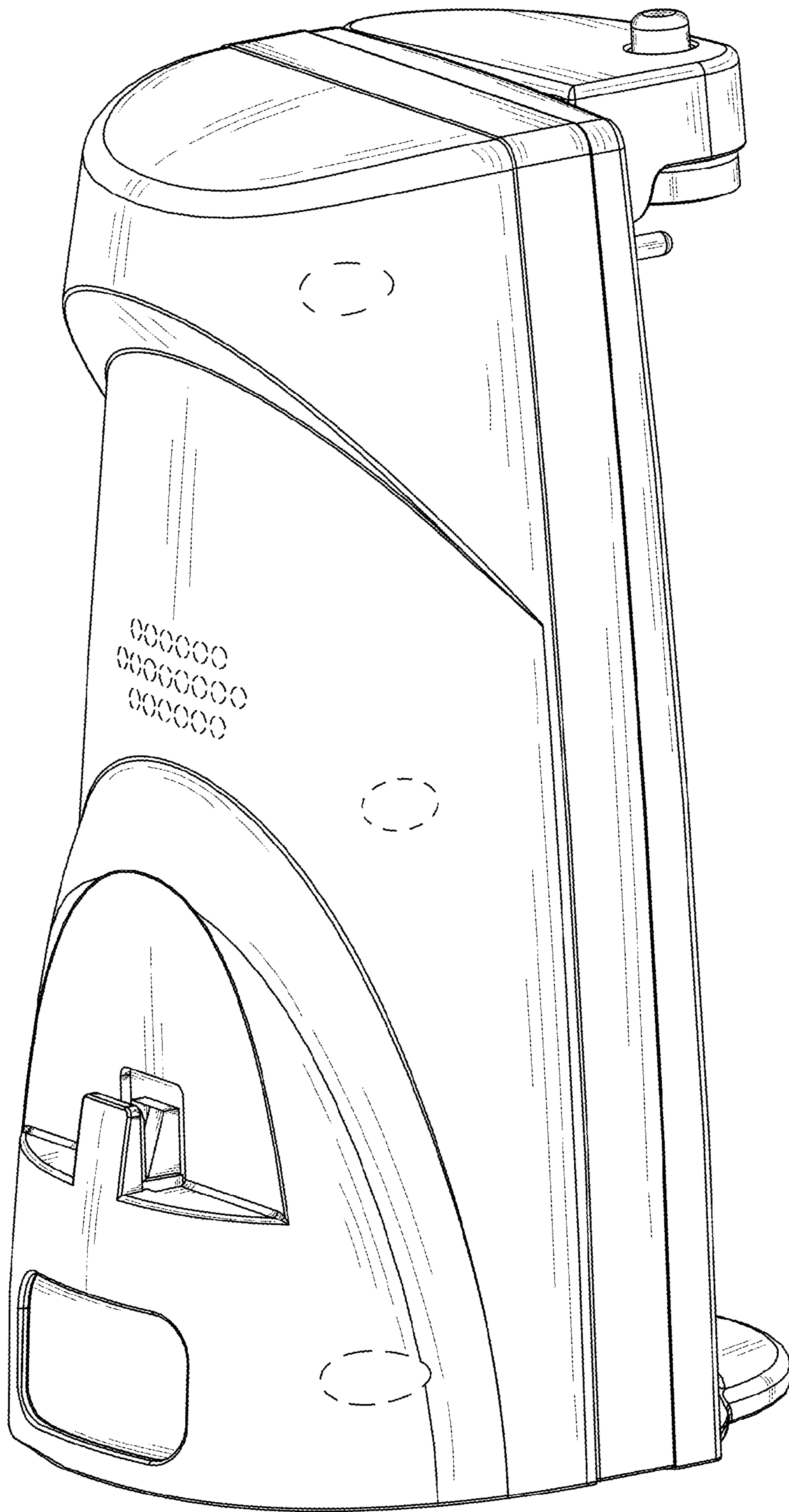


FIG. 2

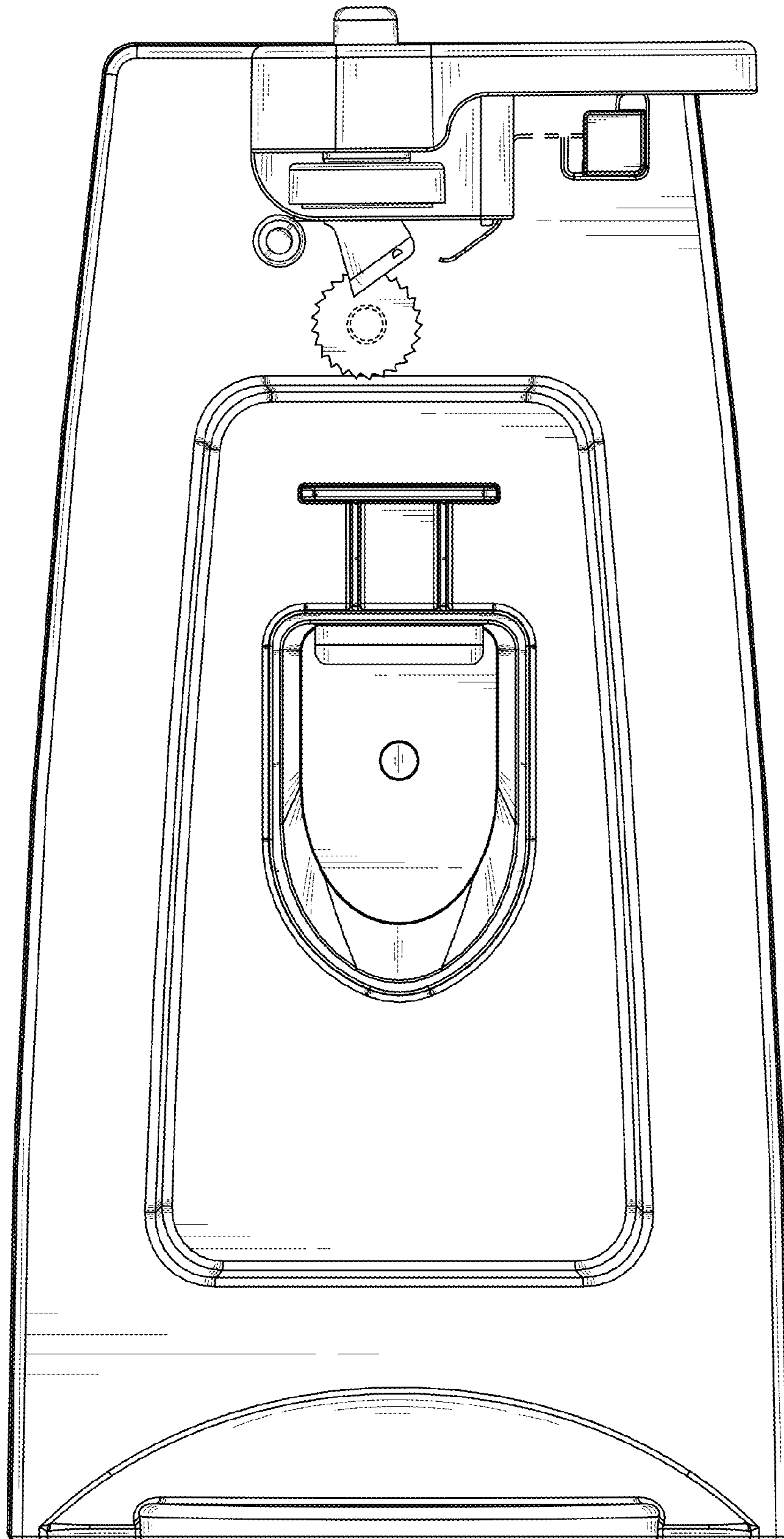


FIG. 3

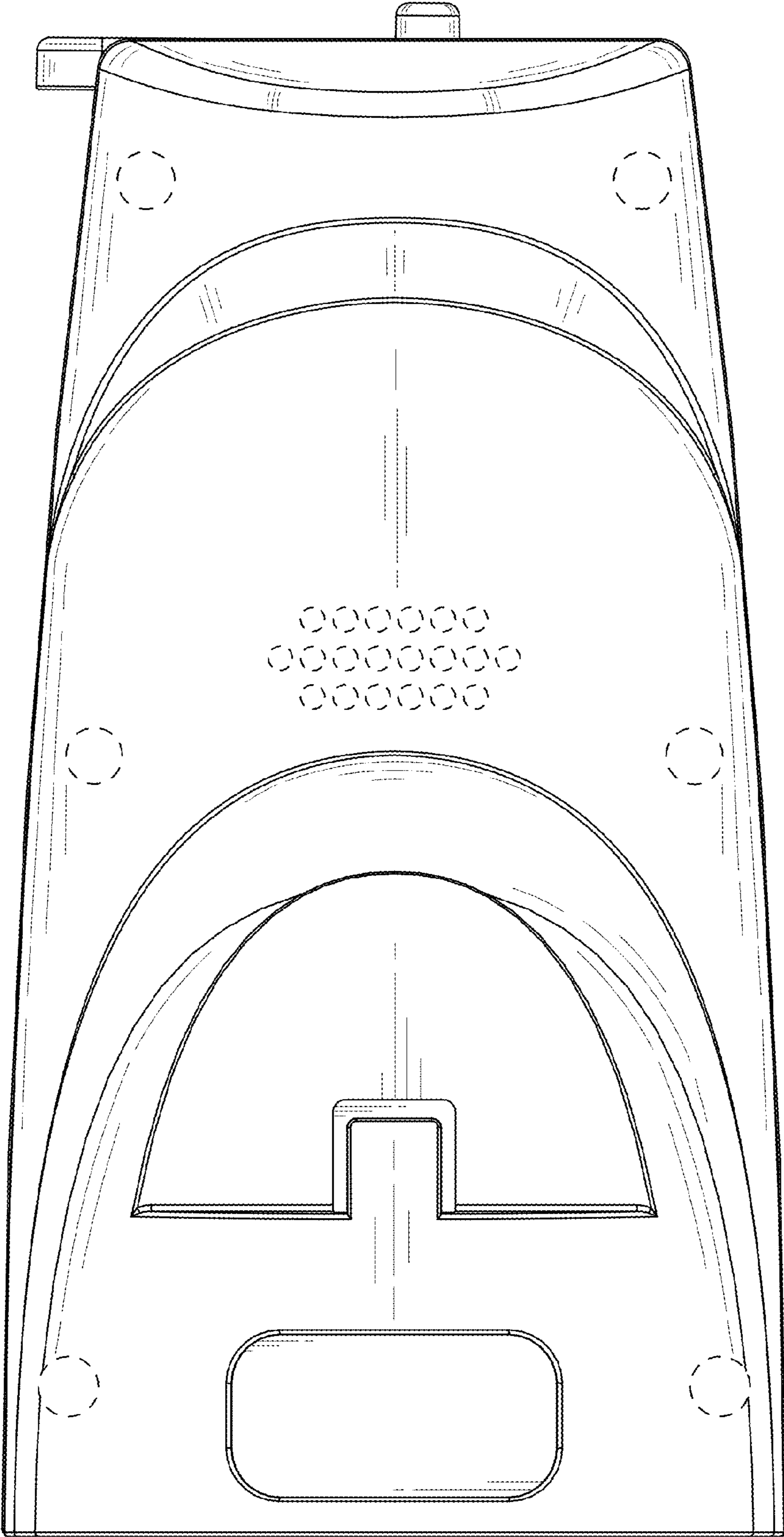


FIG. 4

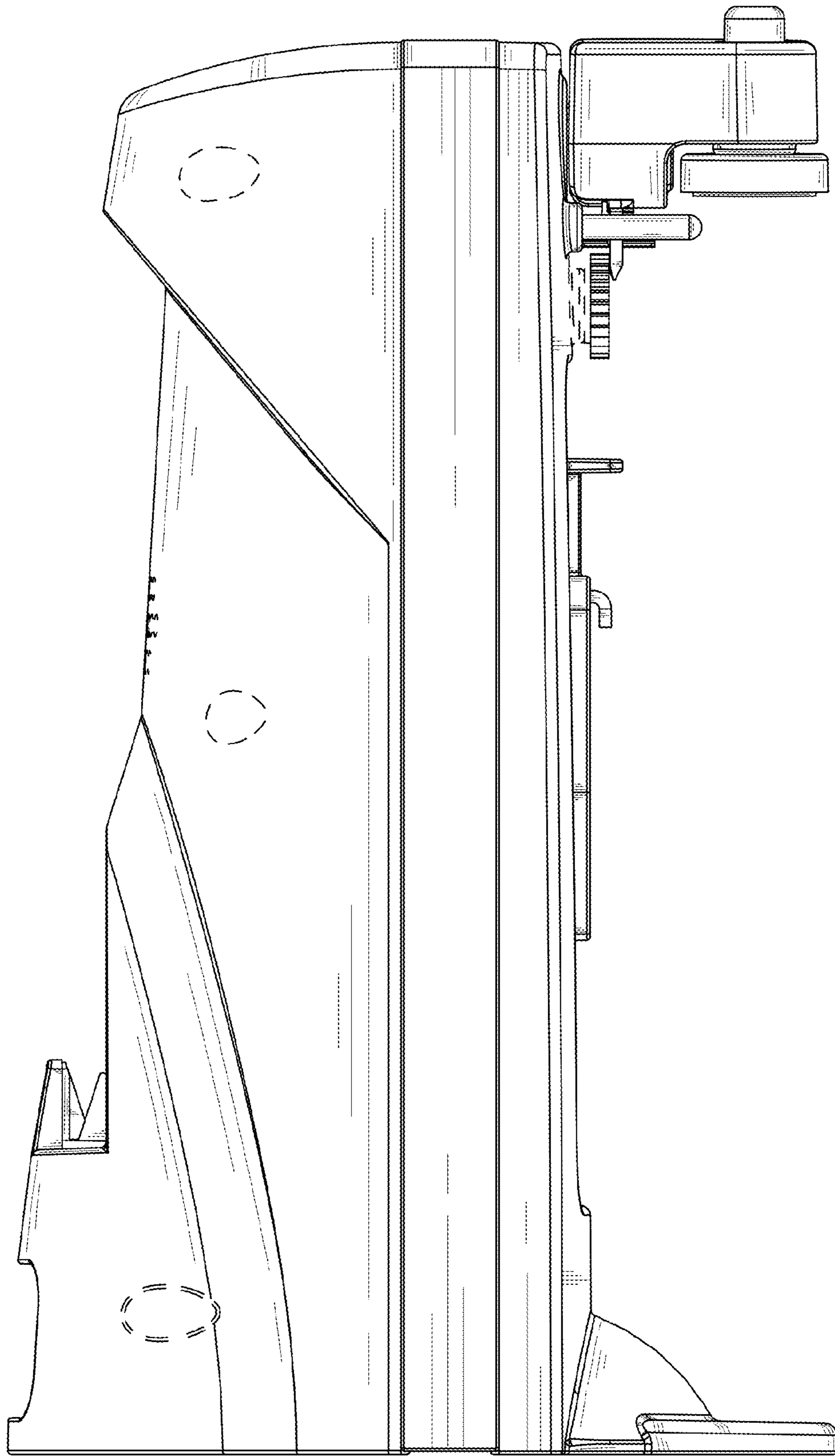


FIG. 5

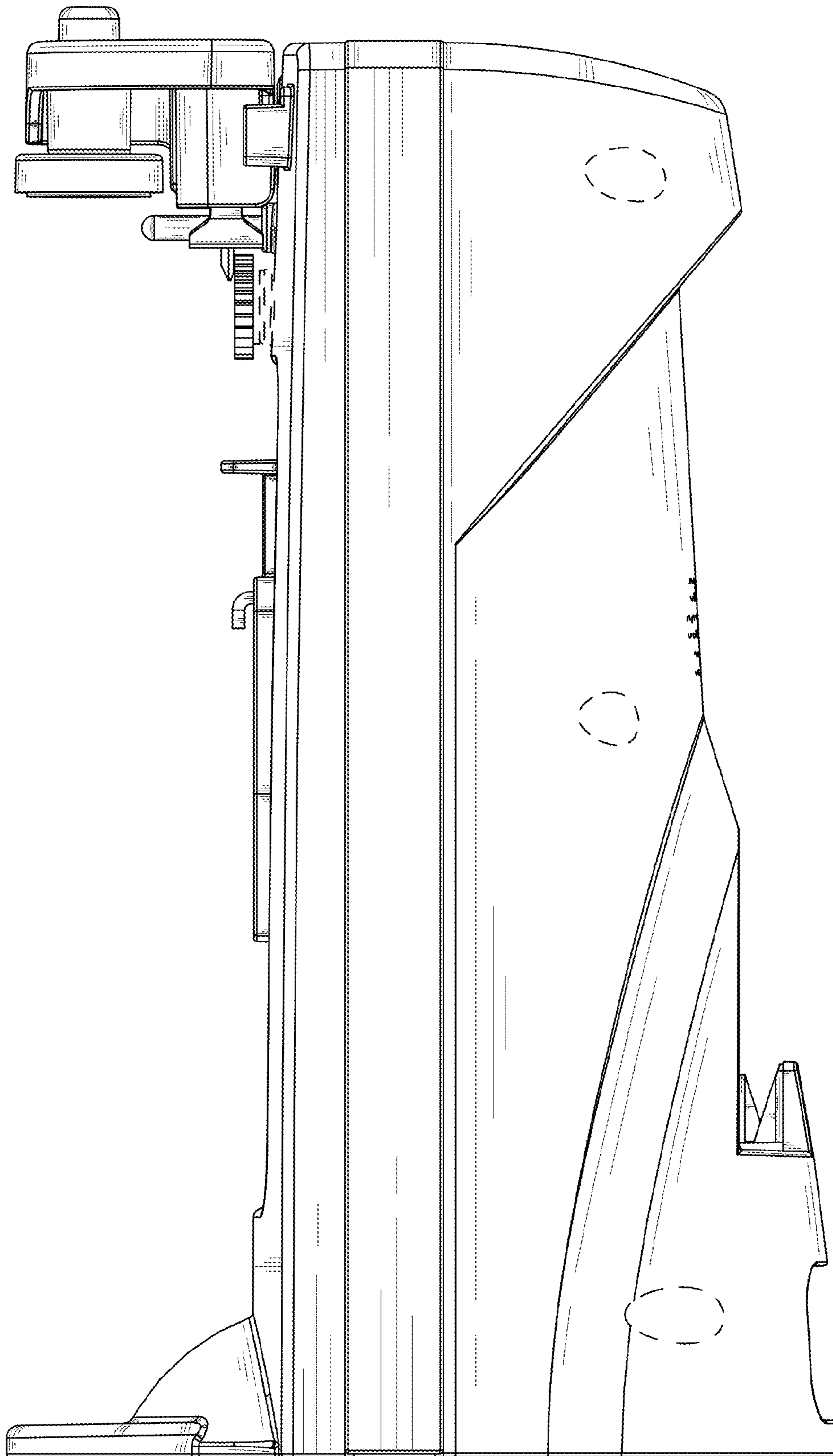


FIG. 6

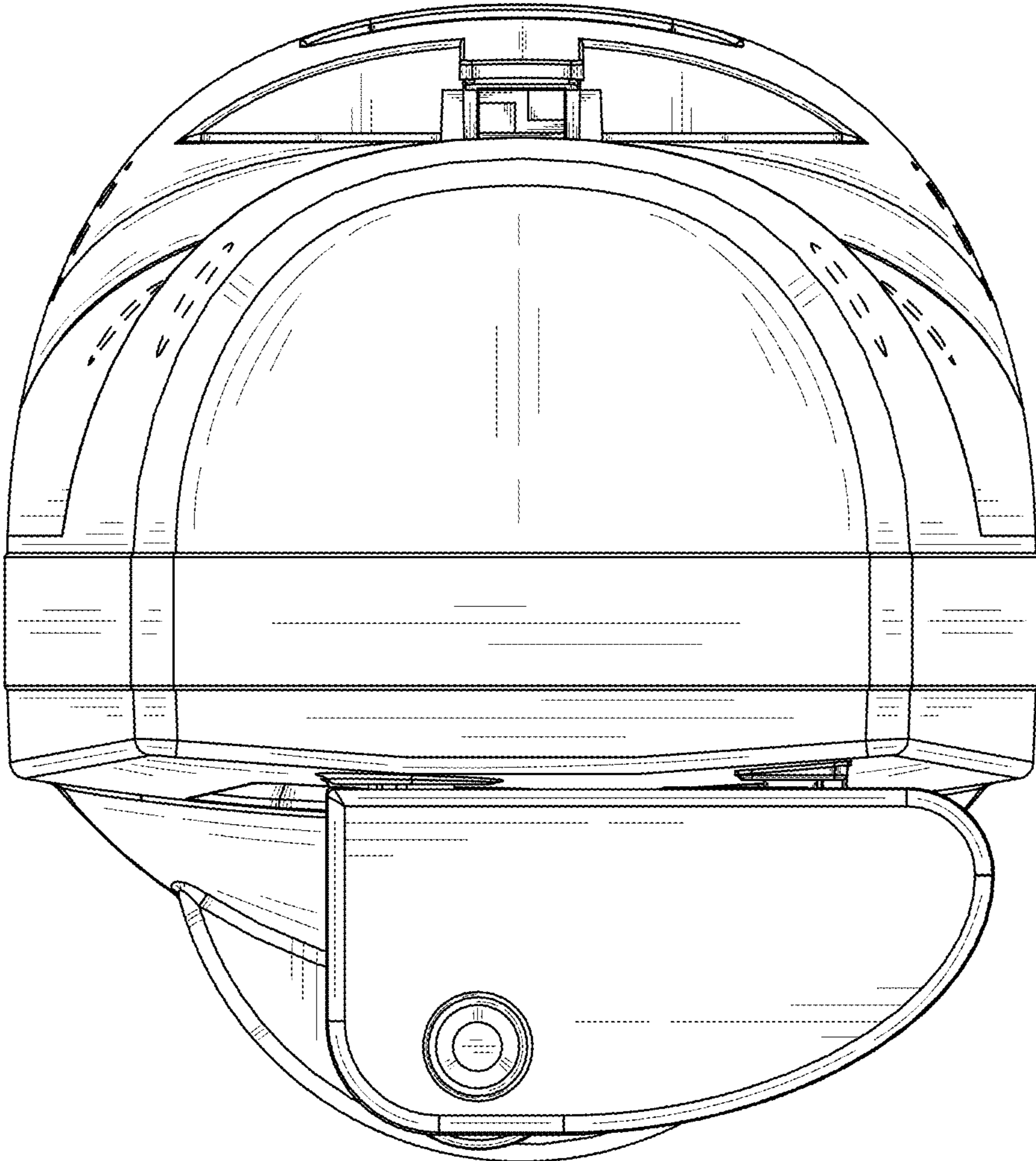


FIG. 7

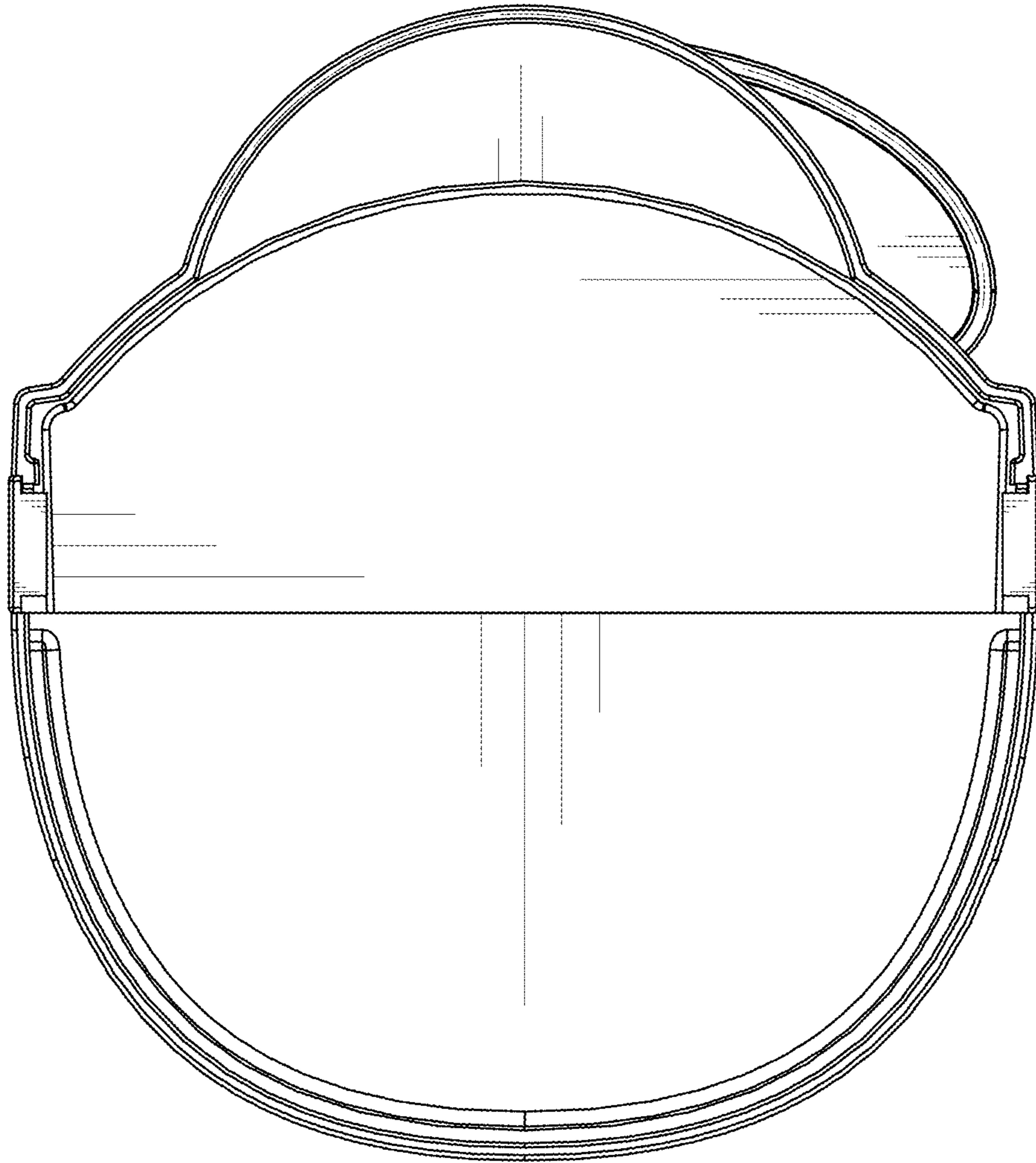


FIG. 8

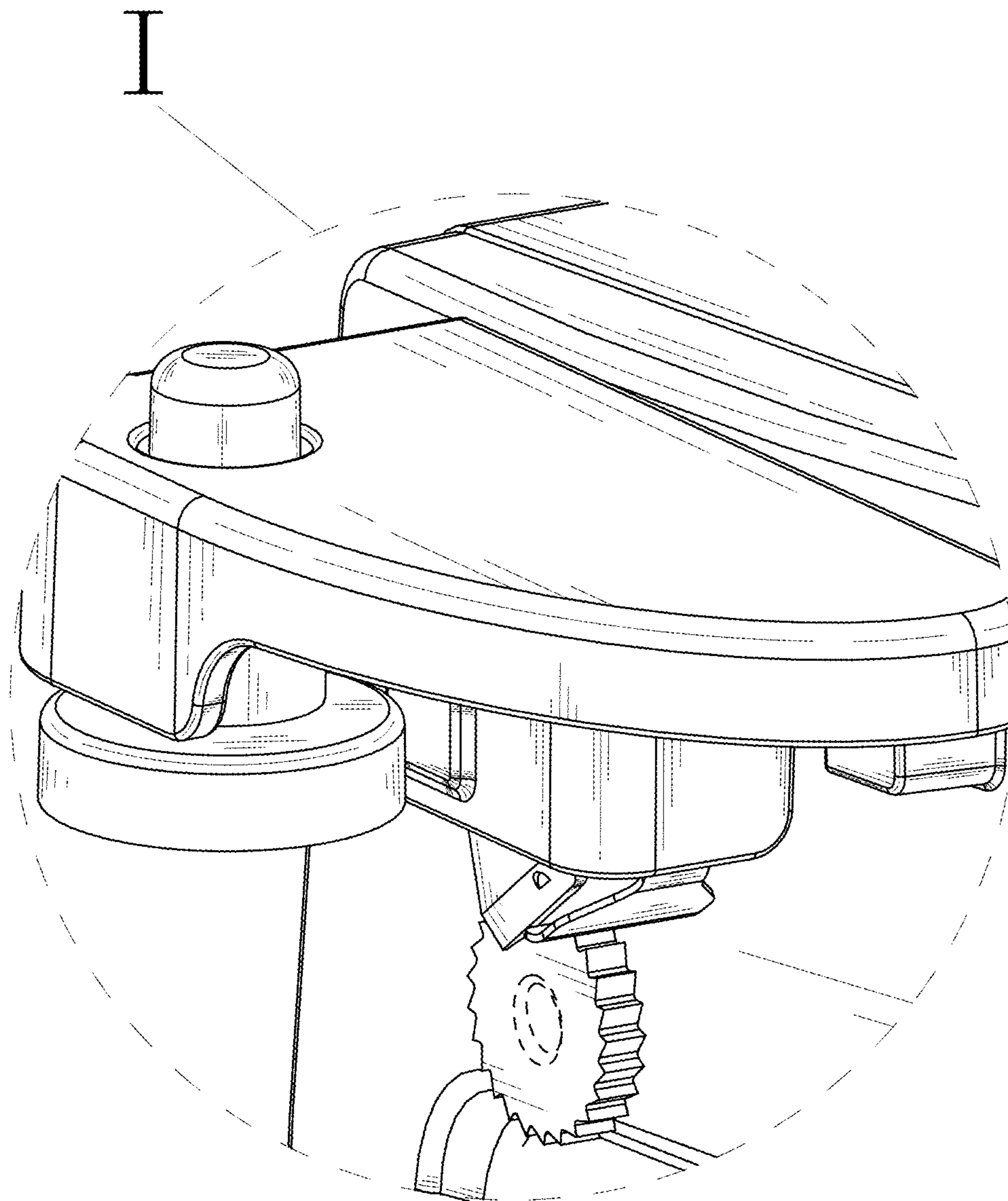


FIG. 9

III

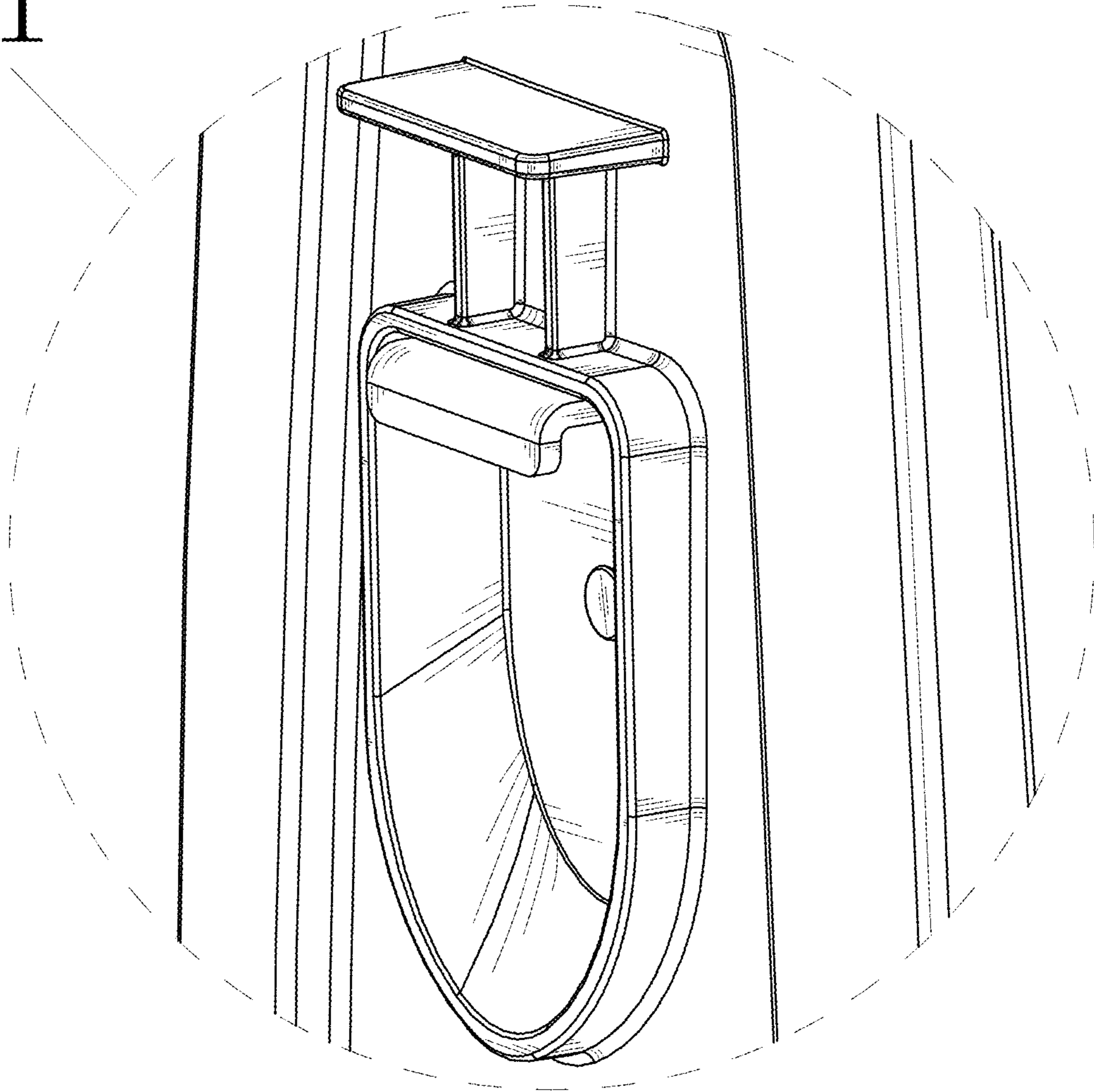


FIG. 10