



US00D929830S

(12) **United States Design Patent** (10) **Patent No.:** **US D929,830 S**
James (45) **Date of Patent:** **** Sep. 7, 2021**

(54) **AIR RATCHET**

FOREIGN PATENT DOCUMENTS

(71) Applicant: **VIS, LLC**, Travelers Rest, SC (US)

CN 305230323 * 7/2018
CN 305502629 * 7/2019

(72) Inventor: **Chad James**, Tylertown, MS (US)

(Continued)

(73) Assignee: **VIS, LLC**, Travelers Rest, SC (US)

OTHER PUBLICATIONS

(**) Term: **15 Years**

OEM Tools Store, 1/4" Dr. Super Duty Air Impact Ratchet, Date first available Mar. 23, 2016, [online]retrieved Dec. 15, 2020, available from internet, https://www.amazon.com/OEMTOOLS-24415-Drive-Impact-Ratchet/dp/B01DCBVJVM/ref=sr_1_562?dchild=1&keyw (Year: 2016).*

(21) Appl. No.: **29/708,586**

Eastwood Store, 1/4In Drive Impact Air Ratchet 700 RMP Speed Compact Soft Grip Good Control 4 Vane Ball Bearing Motor, Date first available Aug. 28, 2019, [online]retrieved Dec. 15, 2020, available from internet, https://www.amazon.com/dp/B07X561PQT/ref=sspa_dk_detail_4?psc=1&pd_rd_i=B07X561PQT&pd_rd_w (Year: 2019).*

(22) Filed: **Oct. 8, 2019**

(51) **LOC (13) Cl.** **08-05**

(52) **U.S. Cl.**

USPC **D8/25**; D8/22

(58) **Field of Classification Search**

USPC D8/14-40, 51-56; 81/125.1, 177.1, 119, 81/124.7, 124.3, 186, 431, 176.15, 461.1, 81/99, 98, 100; 30/193, 252, 254
CPC B25B 13/14; B25B 13/06; B25B 13/04; B25B 13/46; B25B 13/00; B25B 7/02; B25B 13/48; B25B 13/16; B25B 13/505; B25B 13/5058; B25B 23/0007; B25B 13/28; B25B 23/0035; B25B 13/02; B25B 13/08; B25B 13/50; B25B 7/10; B25B 7/14; B25B 5/147; B25B 5/085; B25B 27/00; B25B 23/142; B25B 23/16; B25B 13/462; B67B 7/00; B67B 7/18; B21K 5/16

See application file for complete search history.

(Continued)

Primary Examiner — Keli L Hill

Assistant Examiner — Sara S Sahneh

(74) *Attorney, Agent, or Firm* — J. Bennett Mullinax LLC

(57)

CLAIM

The ornamental design for an air ratchet, as shown and described.

DESCRIPTION

FIG. 1 is a left side perspective view of the air ratchet as shown in FIG. 1;

FIG. 2 is a right side view of the air ratchet as shown in FIG. 1;

FIG. 3 is a front view of the air ratchet as shown in FIG. 1;

FIG. 4 is a rear view of the air ratchet as shown in FIG. 1;

FIG. 5 is a bottom view of the air ratchet as shown in FIG. 1;

FIG. 6 is a bottom view of the air ratchet, as shown in FIG. 1; and,

FIG. 7 is a top perspective view of the air ratchet as shown in FIG. 1.

The broken lines in FIGS. 4-7 are for the purpose of illustrating portions of the air ratchet and form no part of the claimed design.

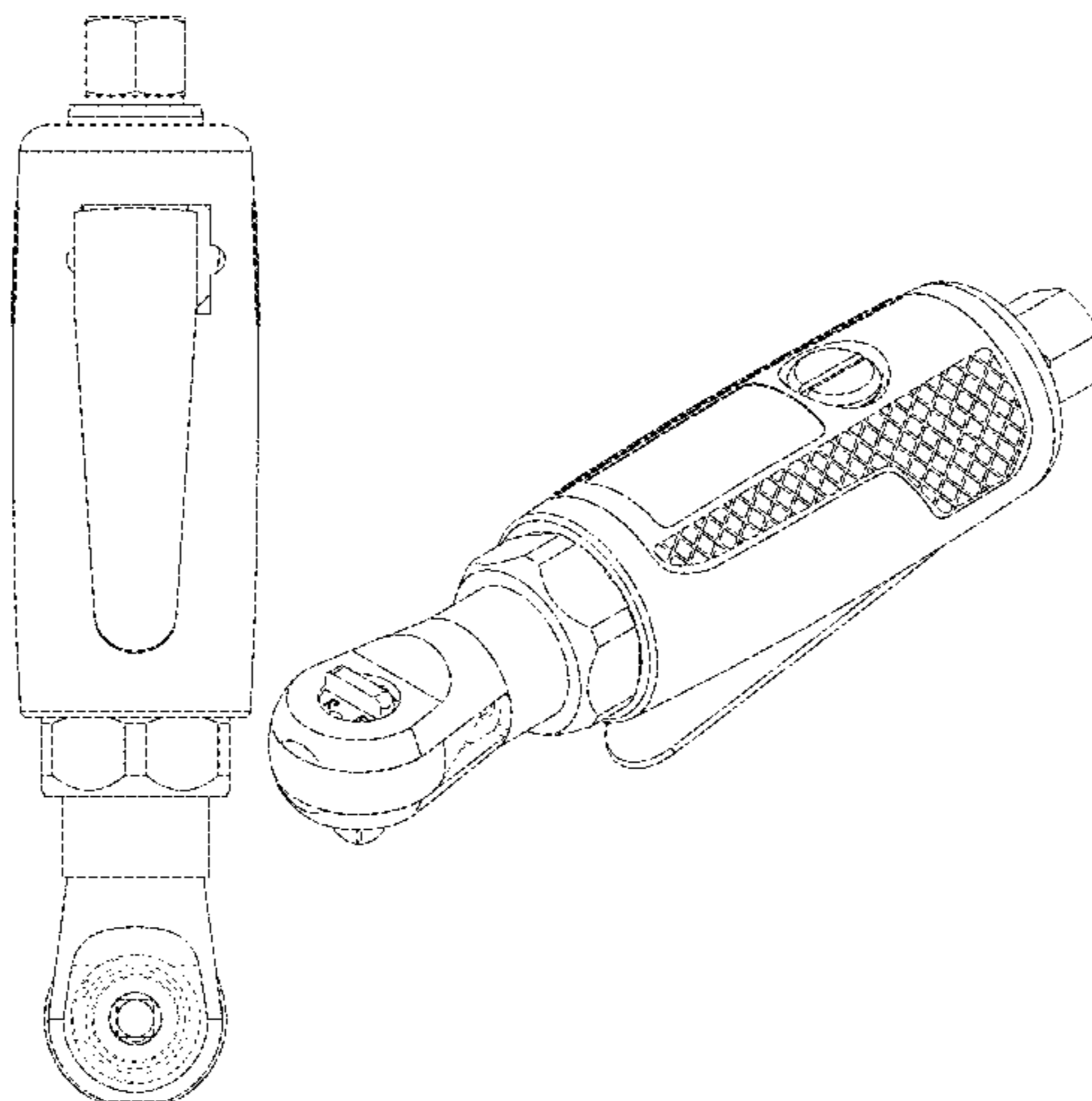
(56) **References Cited**

U.S. PATENT DOCUMENTS

D387,960 S * 12/1997 Sung D8/25
D389,025 S * 1/1998 Sung D8/25
D435,204 S * 12/2000 Izumisawa D8/61
D449,212 S * 10/2001 Price D8/107
6,298,753 B1 * 10/2001 Izumisawa B25B 21/004
81/57.39

(Continued)

1 Claim, 6 Drawing Sheets



(56)

References Cited

U.S. PATENT DOCUMENTS

| | | | | | | |
|----------|---|---|---------|-----------|-------|-------|
| D456,232 | S | * | 4/2002 | Chen | | D8/25 |
| D465,395 | S | * | 11/2002 | Hung | | D8/61 |
| D468,175 | S | * | 1/2003 | Morgan | | D8/61 |
| D519,799 | S | * | 5/2006 | Izumisawa | | D8/25 |
| D525,501 | S | * | 7/2006 | Chen | | D8/61 |
| D525,502 | S | * | 7/2006 | Chen | | D8/61 |
| D554,460 | S | * | 11/2007 | Enriquez | | D8/61 |
| D889,223 | S | * | 7/2020 | Liu | | D8/25 |

FOREIGN PATENT DOCUMENTS

| | | | |
|----|----------------|---|---------|
| CN | 305632907 | * | 8/2019 |
| CN | 305704003 | * | 8/2019 |
| CN | 305713219 | * | 10/2019 |
| CN | 305994547 | * | 11/2019 |
| EM | 006564670-0001 | * | 1/2019 |

OTHER PUBLICATIONS

AirCAT Store, 807 3/8" Mini Palm Ratchet 35 ft-lb 350 RPM, Date first available Dec. 14, 2016, [online]retrieved Dec. 15, 2020, available from internet, https://www.amazon.com/AIRCAT-807-Composite-RATCHET-Small/dp/B01N2TUGYJ/ref=pd_di_sccai_13?_encoding=UTF8&pd_rd_i=B (Year: 2016).*

Astro Pneumatic Tool Store, 1119A ONYX 3/8" Drive Mini Wobble Air Ratchet, Date first available Aug. 28, 2017 , [online] retrieved Dec. 15, 2020, available from internet, https://www.amazon.com/Astro-Pneumatic-Tool-1119A-Ratchet/dp/B01JBOZTQU/ref=sr_1_32_sspa?dchild=1 (Year: 2017).*

* cited by examiner

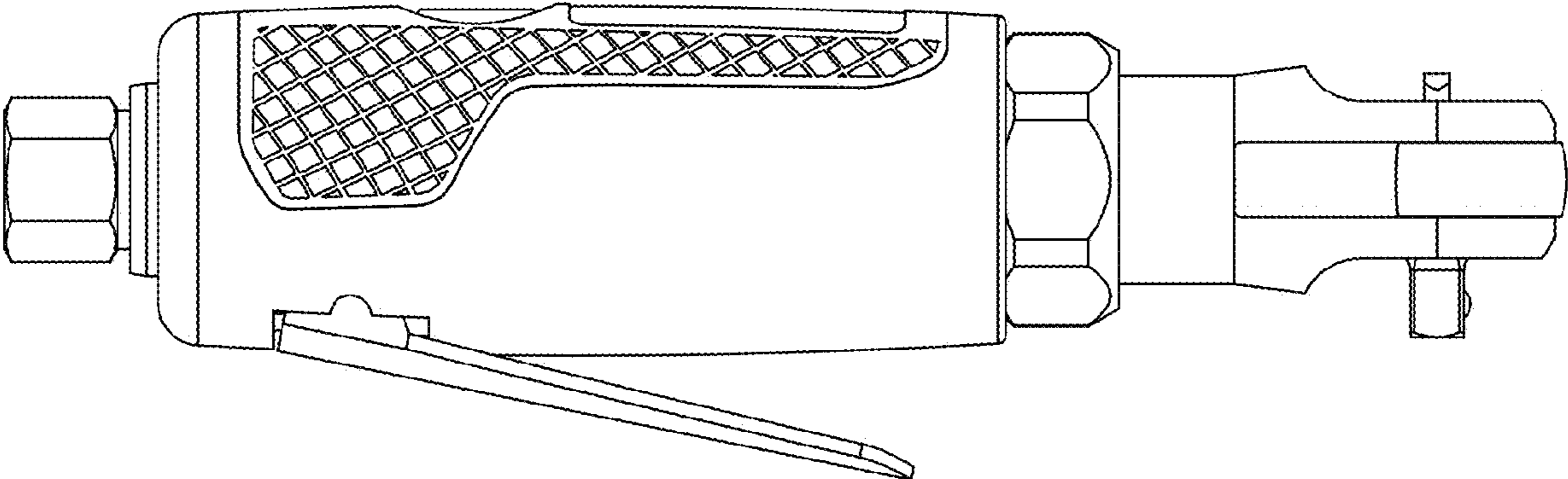


FIGURE 1

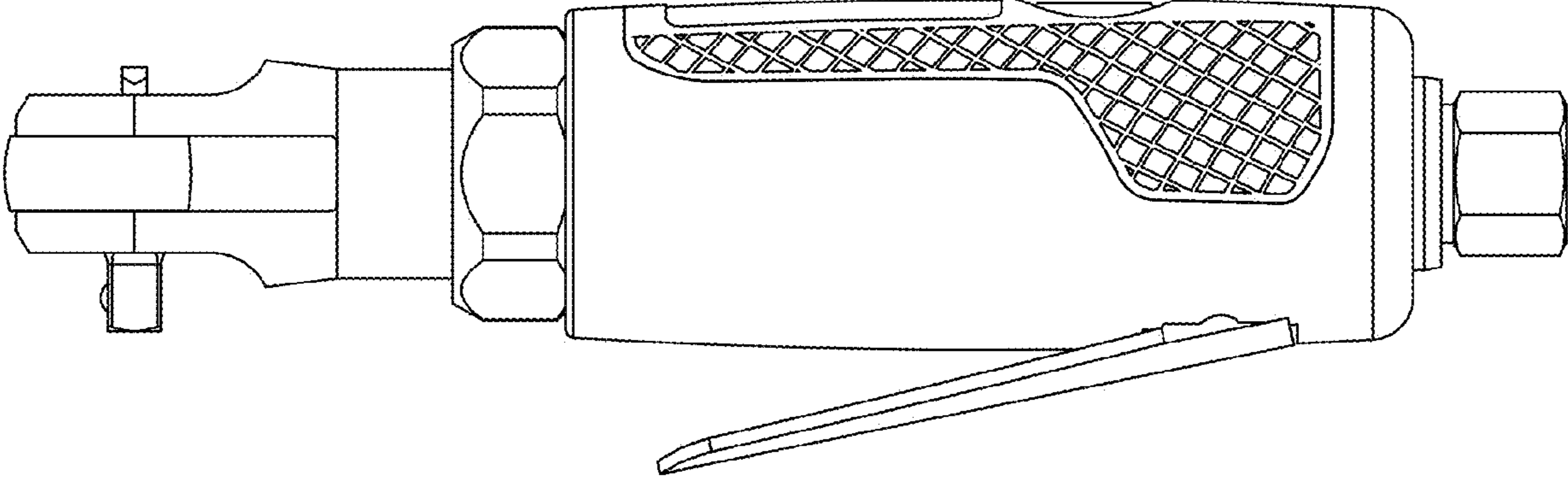


FIGURE 2

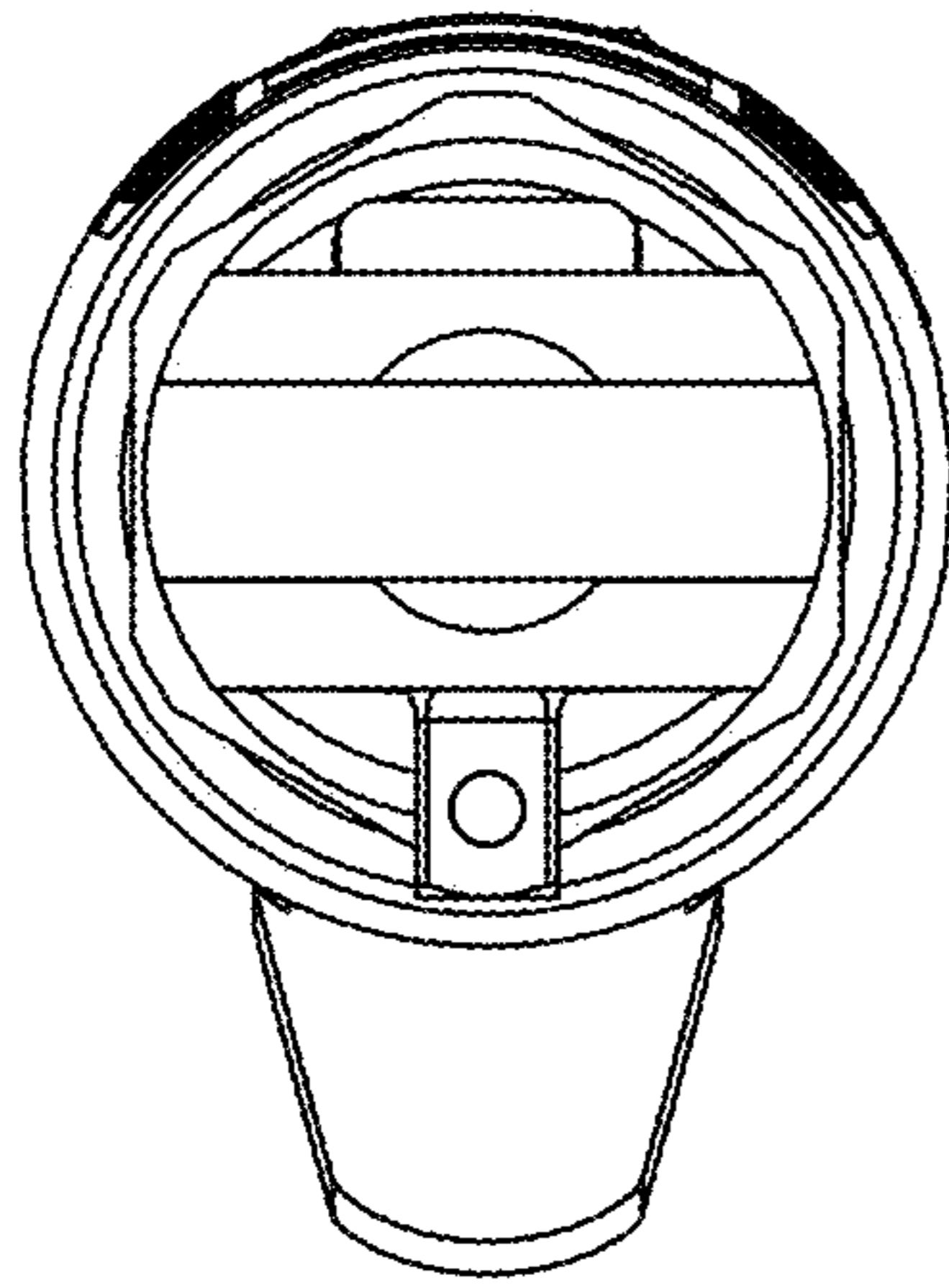


FIGURE 3

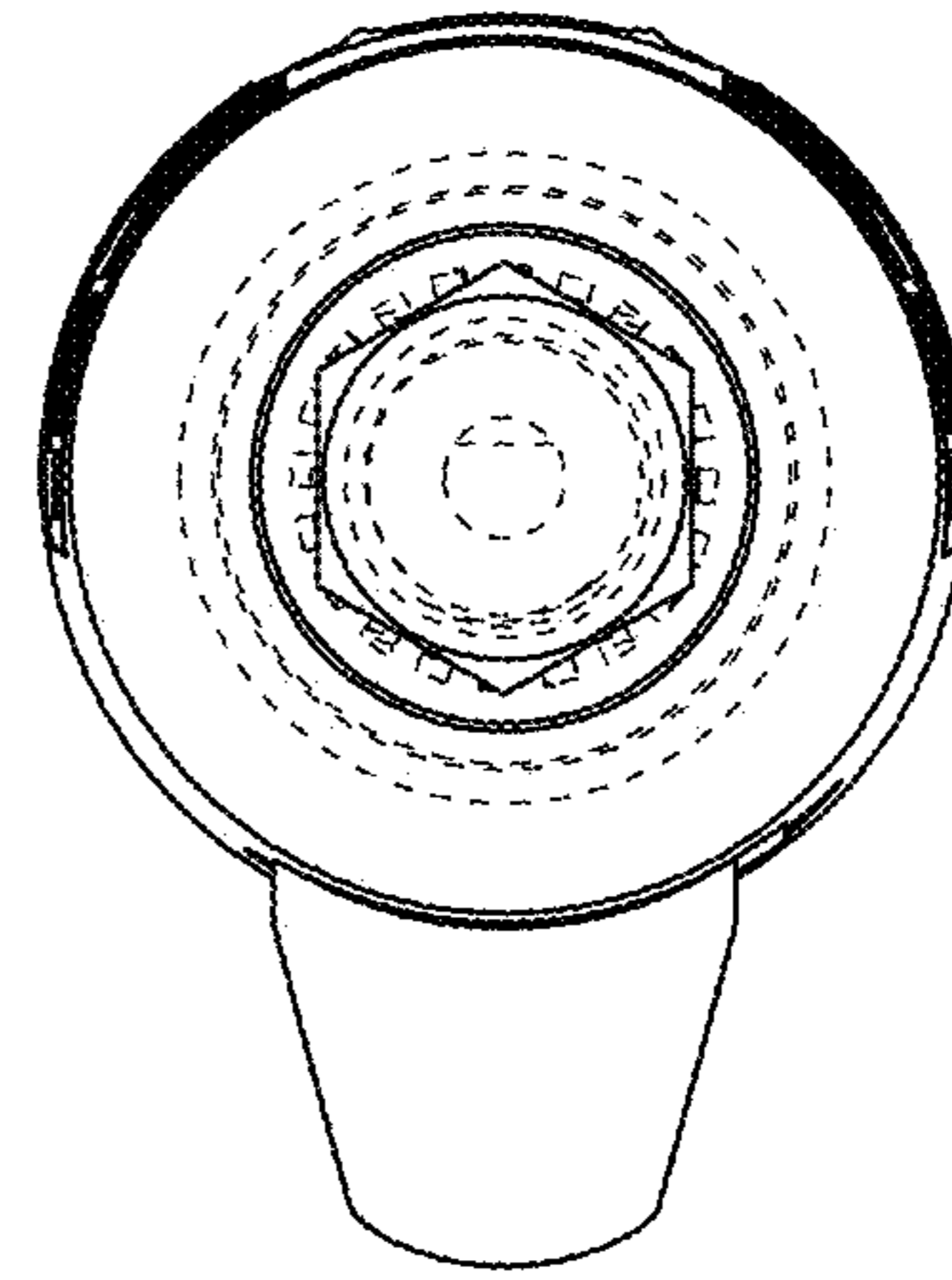


FIGURE 4

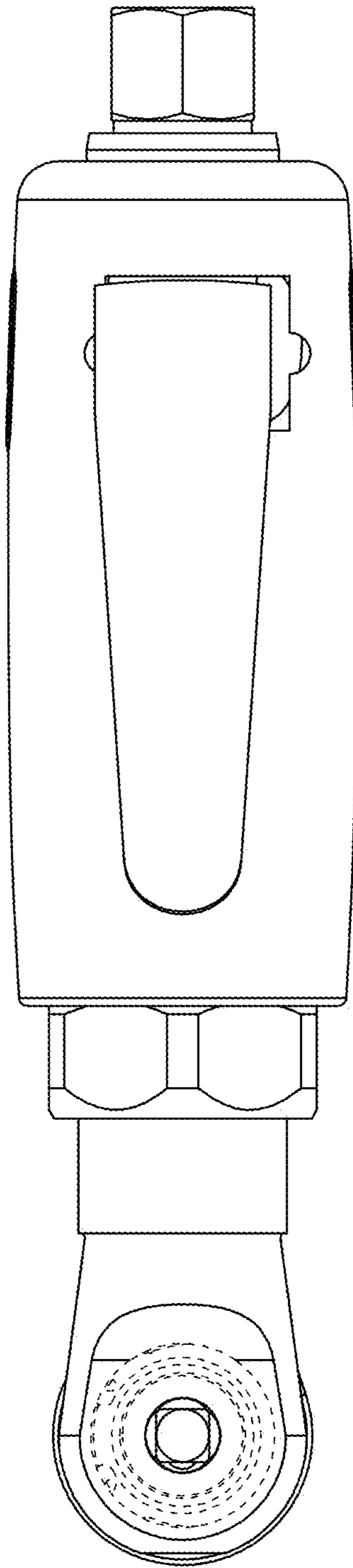


FIGURE 5

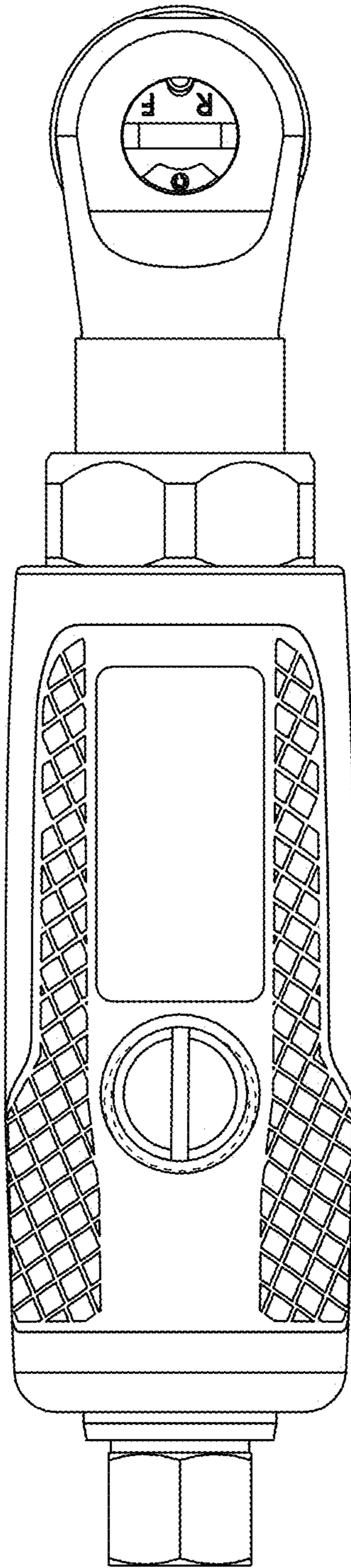


FIGURE 6

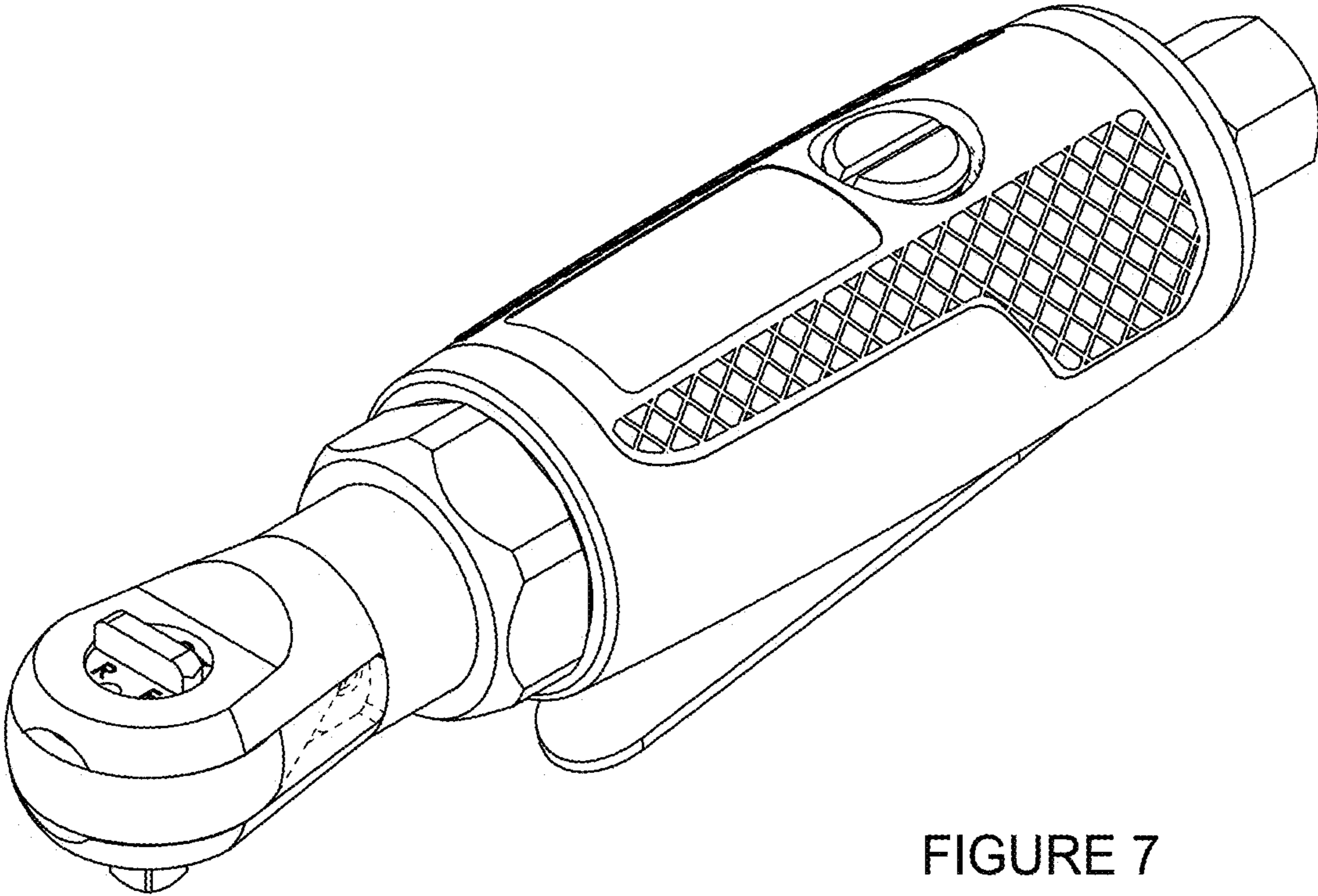


FIGURE 7