



US00D929828S

(12) **United States Design Patent** (10) **Patent No.:** **US D929,828 S**
Iacona (45) **Date of Patent:** **** Sep. 7, 2021**

- (54) **HOUSING FOR FLEXIBLE LINE ON A ROTARY TRIMMER**
- (71) Applicant: **KPI—Kwik Products, Inc.**, Phoenix, AZ (US)
- (72) Inventor: **Fernando Iacona**, Paradise Valley, AZ (US)
- (73) Assignee: **KPI—Kwik Products, Inc.**, Phoenix, AZ (US)
- (**) Term: **15 Years**
- (21) Appl. No.: **29/666,034**
- (22) Filed: **Oct. 9, 2018**
- (51) **LOC (13) Cl.** **08-03**
- (52) **U.S. Cl.**
USPC **D8/8**
- (58) **Field of Classification Search**
USPC D8/1, 8, 383; D15/17
CPC A01D 34/01; A01D 34/412; A01D 34/416;
A01D 34/015; A01D 34/4161; A01D 34/4165; A01D 34/4166; A01D 34/4167;
A01D 34/84; A01G 3/062; B25F 5/02;
B25F 5/021
See application file for complete search history.

(56) **References Cited**

U.S. PATENT DOCUMENTS

2,805,582	A *	9/1957	Greene	B21D 53/261
					474/174
4,362,007	A *	12/1982	Kennedy	A01D 34/4166
					56/295
D362,600	S *	9/1995	Kiyooka	D8/8
5,979,064	A *	11/1999	Kitz	A01D 34/4165
					30/276
6,035,511	A *	3/2000	Wood	A01D 34/4161
					29/434

6,108,914	A *	8/2000	Sheldon	A01D 34/4166
					30/276
D597,804	S *	8/2009	Alliss	D8/8
D598,254	S *	8/2009	Alliss	D8/8
D653,920	S *	2/2012	Cigarini	D8/8
D826,013	S *	8/2018	Cigarini	D8/8
D826,663	S *	8/2018	Cigarini	D8/8
D831,449	S *	10/2018	Cigarini	D8/8
D833,838	S *	11/2018	Cigarini	D8/8
2004/0188108	A1 *	9/2004	Thompson, Sr.	A01B 1/065
					172/25
2006/0048396	A1 *	3/2006	Legrand	A01D 34/416
					30/276
2008/0010836	A1 *	1/2008	Iacona	A01D 34/4168
					30/122
2008/0083120	A1 *	4/2008	Alliss	A01D 34/4166
					30/276

(Continued)

Primary Examiner — Sandra Snapp
Assistant Examiner — Ieisha N Price
(74) *Attorney, Agent, or Firm* — Wood, Phillips, Katz, Clark & Mortimer

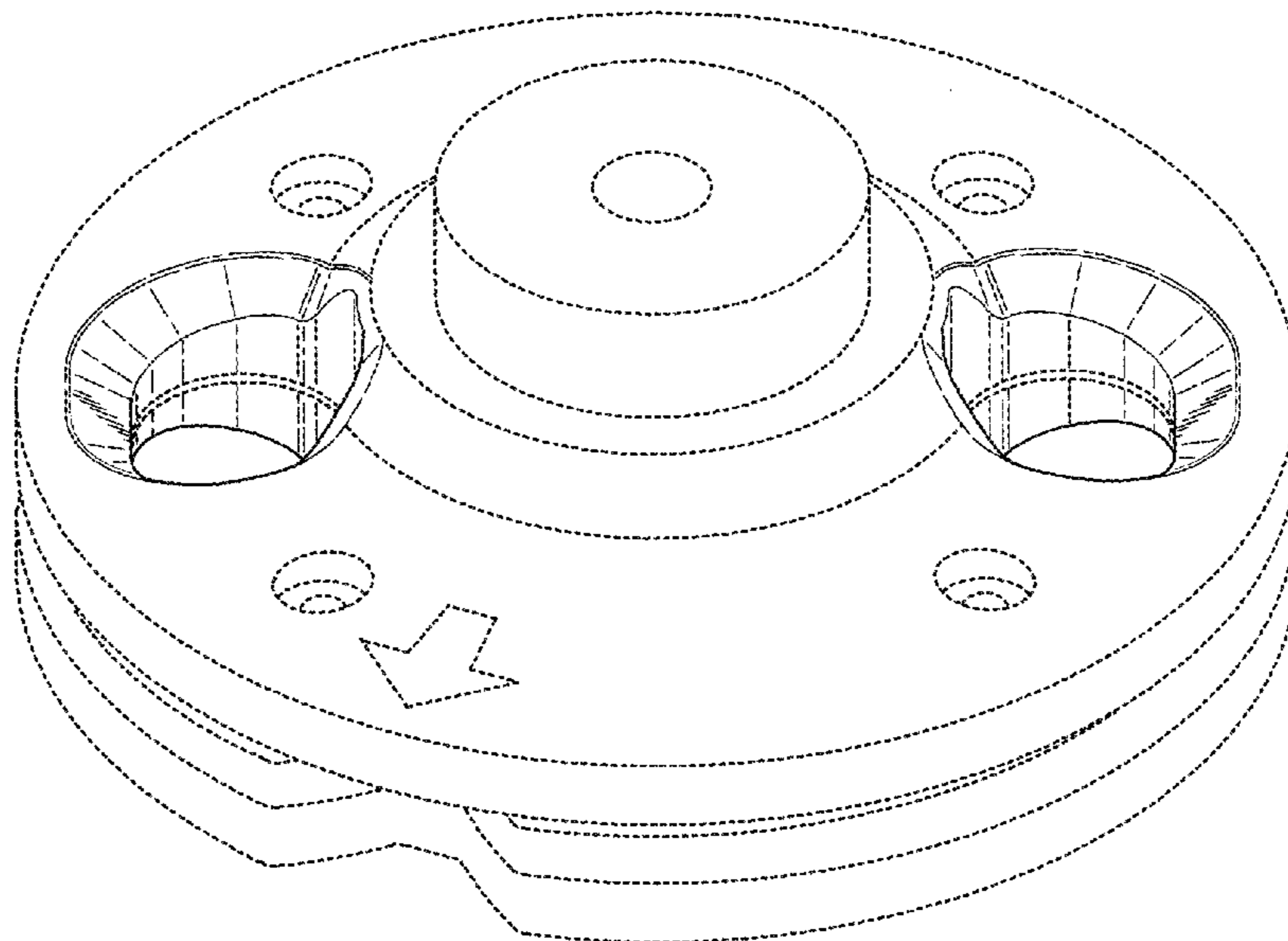
(57) **CLAIM**

The ornamental design for a housing for flexible line on a rotary trimmer, as shown and described.

DESCRIPTION

FIG. 1 is a top and front perspective view thereof;
FIG. 2 is a front elevation view thereof;
FIG. 3 is a right side elevation view thereof;
FIG. 4 is a top view thereof; and,
FIG. 5 is a bottom view thereof.
The left side elevation view is identical to the right side elevation view.
The rear elevation view is identical to the front elevation view.
The broken lines in the drawings illustrate portions of the housing for flexible line on a rotary trimmer and form no part of the claimed design.

1 Claim, 3 Drawing Sheets



(56)

References Cited

U.S. PATENT DOCUMENTS

2010/0229401 A1* 9/2010 Kato A01D 34/416
30/276
2012/0260508 A1* 10/2012 Duvall A01D 34/4166
30/347
2013/0152359 A1* 6/2013 Jerez A01D 34/4166
29/426.6
2015/0101199 A1* 4/2015 Cigarini A01D 34/4166
30/276
2015/0230401 A1* 8/2015 Legrand A01D 34/4168
30/276
2015/0264862 A1* 9/2015 Skinner A01D 34/4165
30/276
2015/0366131 A1* 12/2015 Skinner A01D 34/4166
30/276
2019/0021225 A1* 1/2019 Cigarini A01D 34/736

* cited by examiner

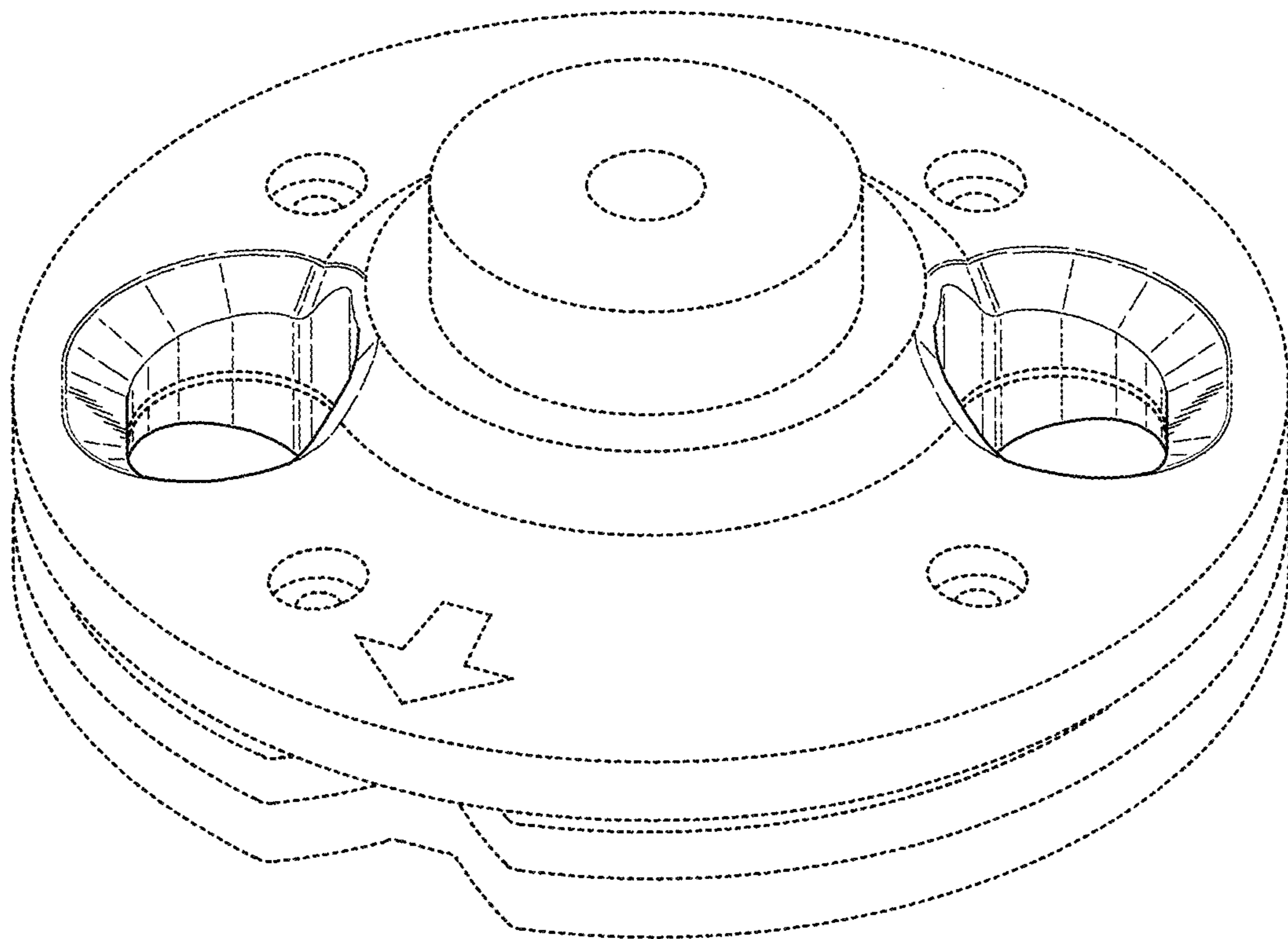


Fig. 1

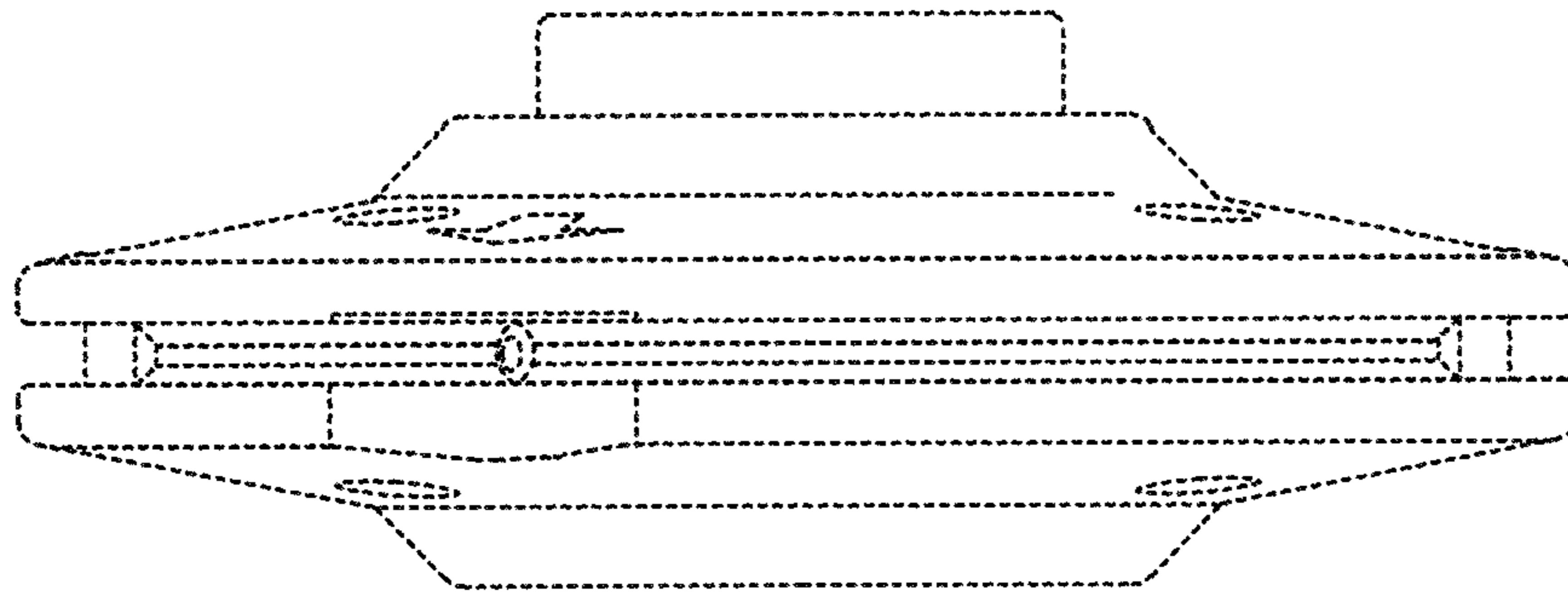


Fig. 2

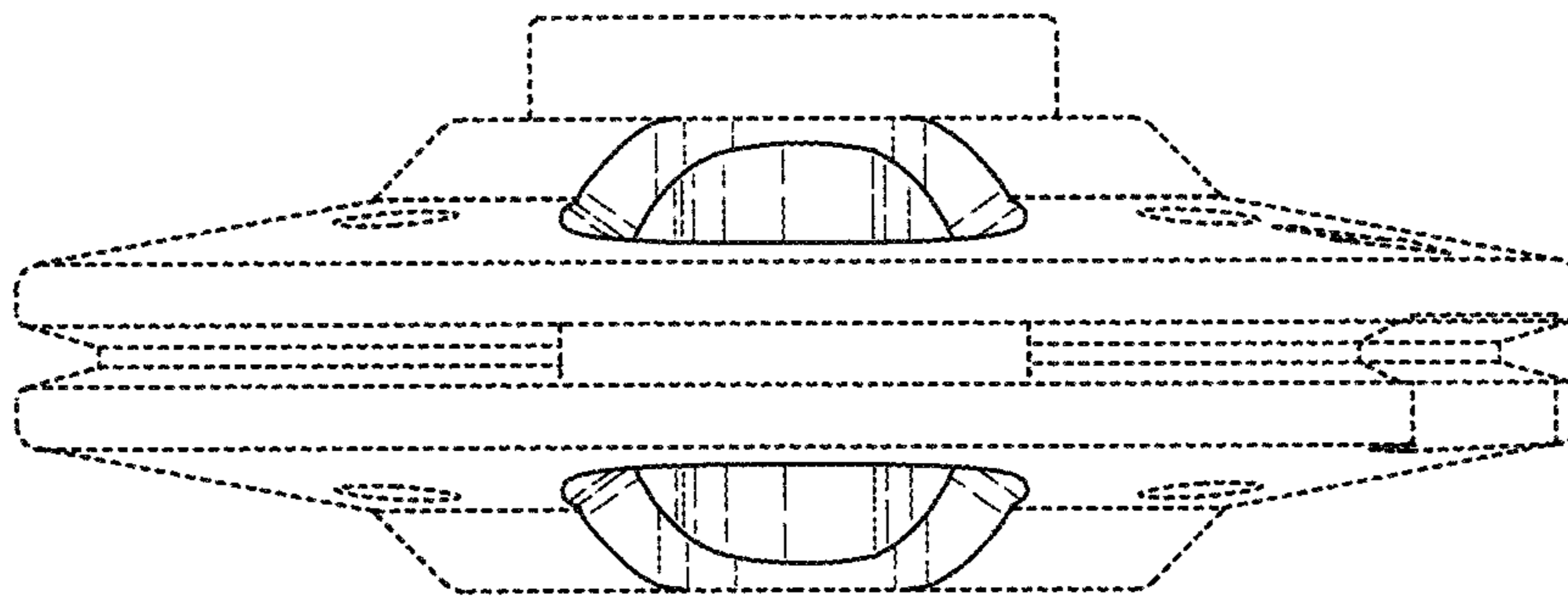


Fig. 3

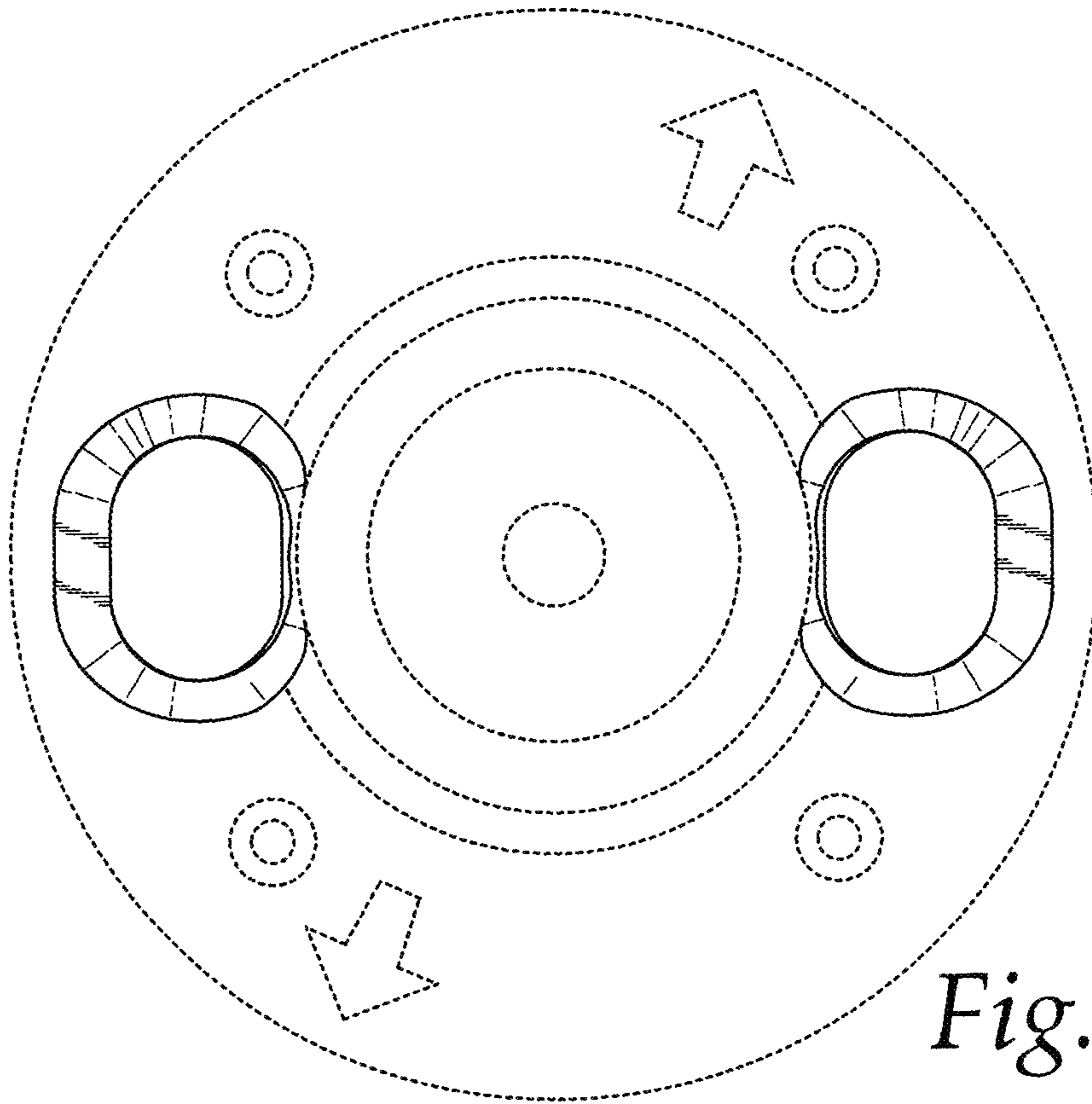


Fig. 4

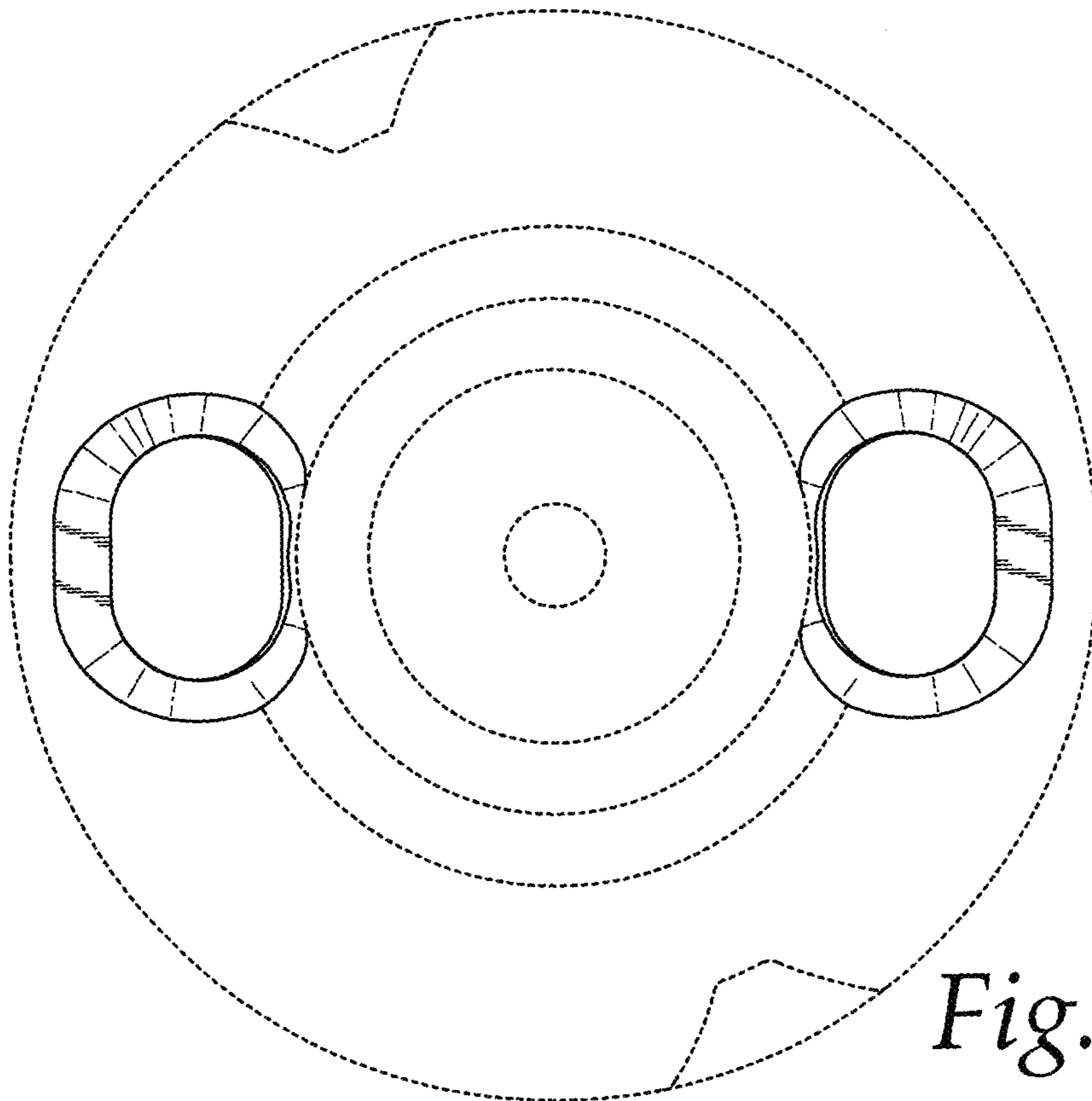


Fig. 5