

US00D929827S

(12) **United States Design Patent** (10) **Patent No.:** **US D929,827 S**
McNall et al. (45) **Date of Patent:** **** Sep. 7, 2021**

(54) **BANANA SLICER**
(71) Applicants: **Charles William McNall**, Cottonwood Heights, UT (US); **Douglas Anjewierden**, Sandy, UT (US)
(72) Inventors: **Charles William McNall**, Cottonwood Heights, UT (US); **Douglas Anjewierden**, Sandy, UT (US)
(**) Term: **15 Years**

D390,428 S * 2/1998 Chen D7/695
D415,660 S * 10/1999 Lion D7/693
D542,104 S * 5/2007 Holcomb D7/695
D543,419 S * 5/2007 Zemel D24/130
D762,093 S * 7/2016 Wong D7/693
D766,679 S * 9/2016 Ennis D7/693
10,137,585 B2 * 11/2018 Gonterman B26B 21/522

FOREIGN PATENT DOCUMENTS

CN 2017-12-21 * 12/2017
CN 202030313377.9 * 11/2020

(21) Appl. No.: **29/695,380**
(22) Filed: **Jun. 19, 2019**
(51) **LOC (13) Cl.** **07-06**
(52) **U.S. Cl.**
USPC **D7/693**; D7/695
(58) **Field of Classification Search**
USPC D7/368, 393, 395, 669, 680-696
CPC A47J 17/00; A47J 17/02; A47J 45/061;
A47J 43/288; A47J 14/02; A47J 25/00;
B26D 1/03; B26D 3/169; B26D 3/16;
B26D 1/553; B26B 9/02
See application file for complete search history.

OTHER PUBLICATIONS

4 Round (Citrus Fruit) Peelers by Chef Craft. Online, published date Feb. 22, 2008. Retrieved on Mar. 26, 2021 from URL: https://www.amazon.com/Round-Citrus-Peelers-Chef-Craft/dp/B005UUVTVY/ref=asc_df_B005UUVTVY/?tag=hyprod-20&linkCode=df0&hvadid=193129986239&hvpos=&hvnetw=g&hvrnd=6852028122142107989&hvpone=&hvptwo=&hv.*

* cited by examiner

Primary Examiner — Janice Hallmark
Assistant Examiner — Omeed Agilee

(56) **References Cited**

U.S. PATENT DOCUMENTS

691,861 A * 1/1902 Hemstrom B26B 27/00
30/280
2,237,354 A * 4/1941 Leavens A47J 17/00
99/584
3,414,030 A * 12/1968 Popeil A47J 17/02
30/123.5
3,571,925 A * 3/1971 Deutschmann A47J 17/04
30/314
D283,579 S * 4/1986 Peterson D7/695
D290,200 S * 6/1987 Tabach D7/601
D320,144 S * 9/1991 Ban-Dak D7/693
5,251,377 A * 10/1993 Ho A47J 17/02
30/123.5
5,497,552 A * 3/1996 Rodriguez A47J 17/02
30/113.1

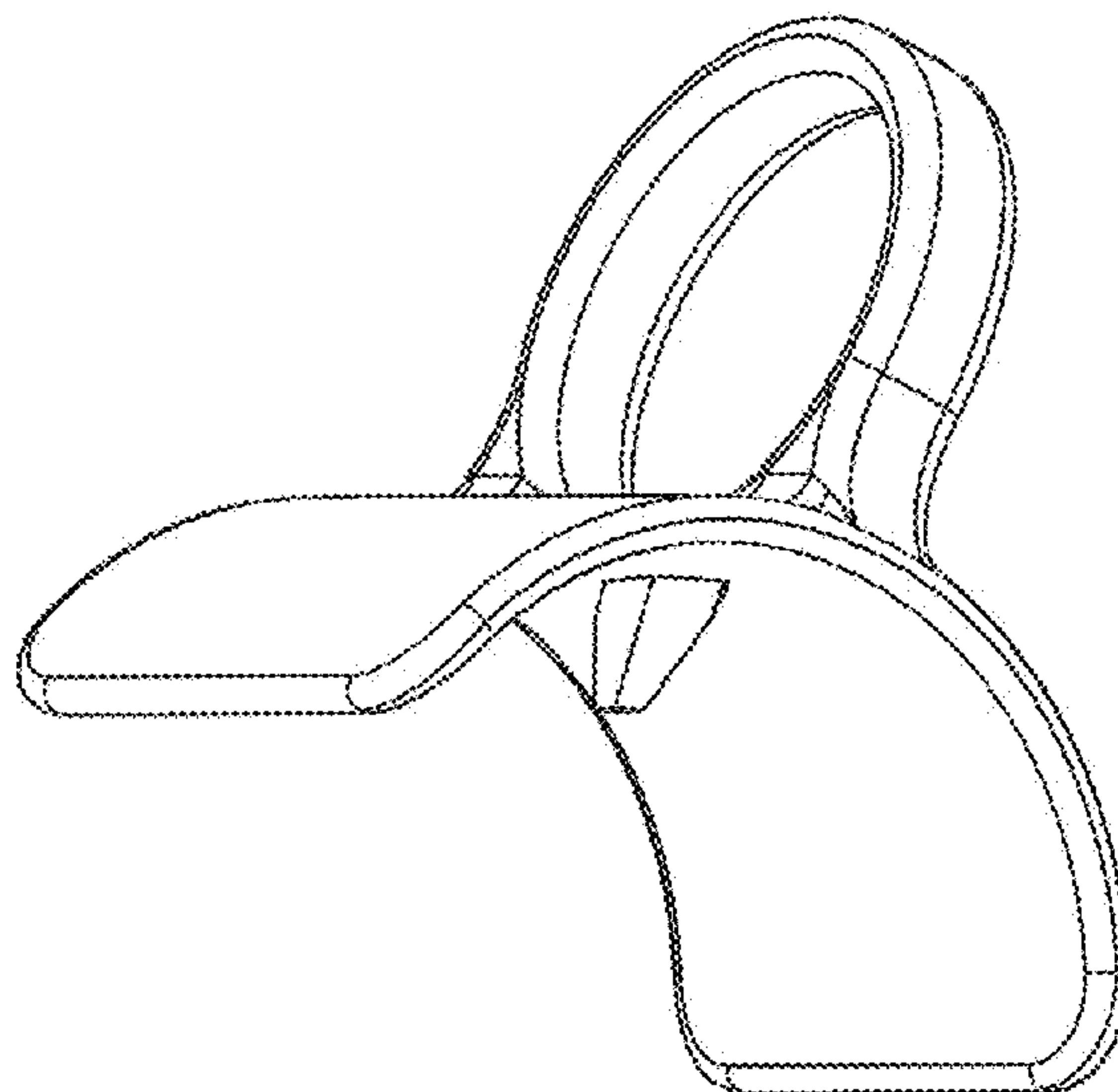
(57) **CLAIM**

The ornamental design for a banana slicer, as shown and described.

DESCRIPTION

FIG. 1 is a perspective view of a banana slicer, showing our new design;
FIG. 2 is a left side view thereof, with the right side being identical;
FIG. 3 is a front view thereof, with the back view being identical;
FIG. 4 is a top view thereof; and,
FIG. 5 is a bottom view thereof.

1 Claim, 3 Drawing Sheets



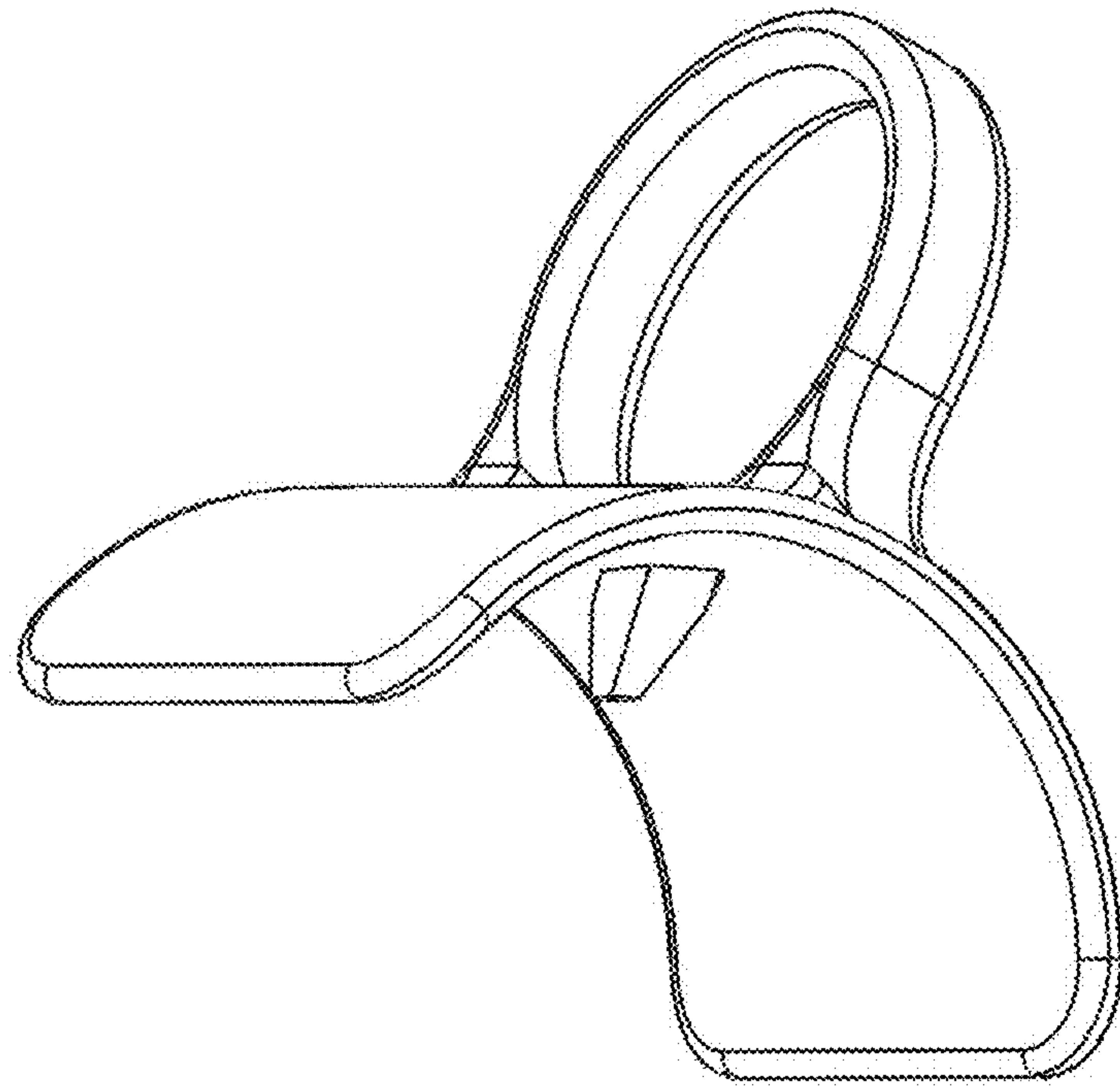


Fig._1

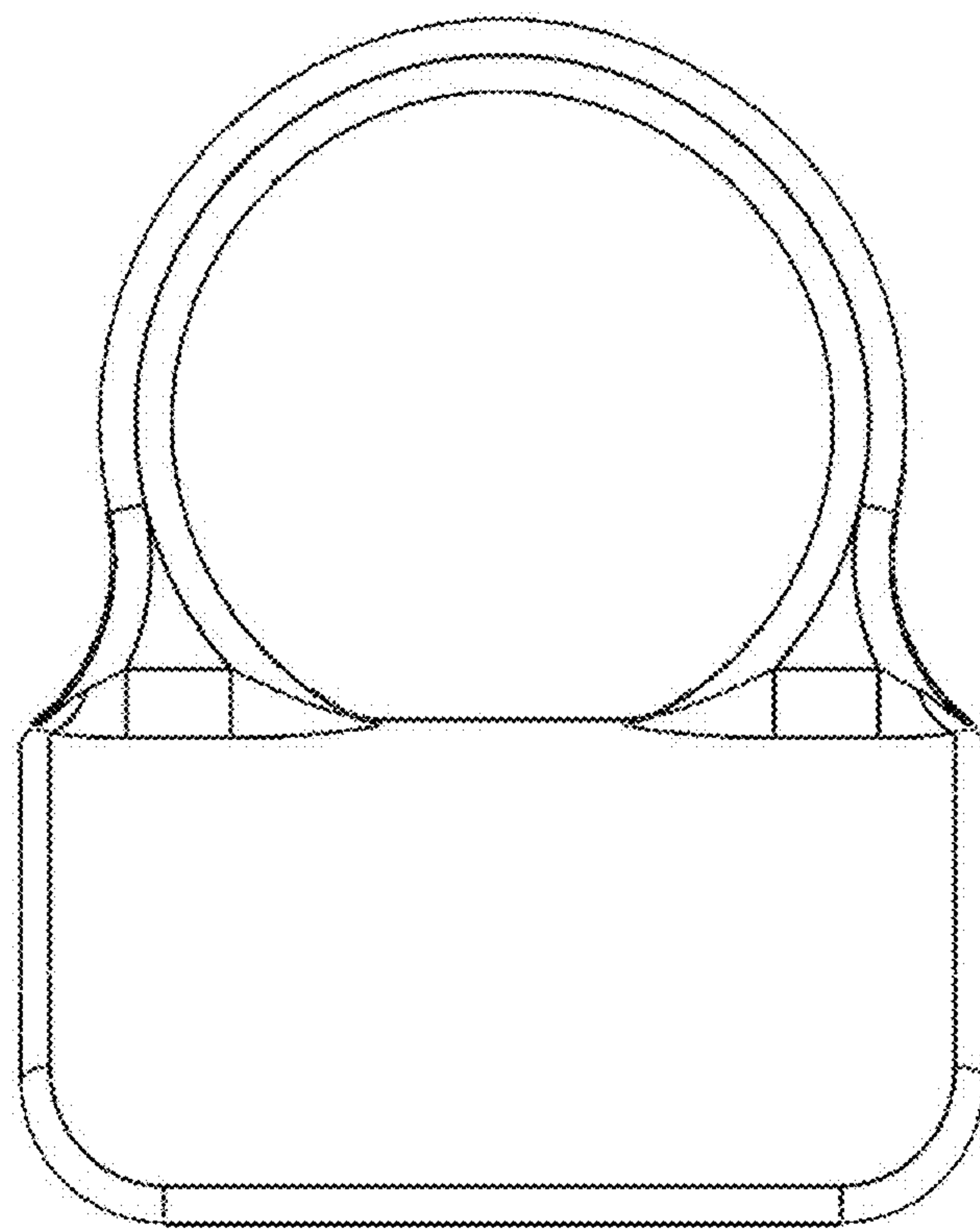


Fig._2

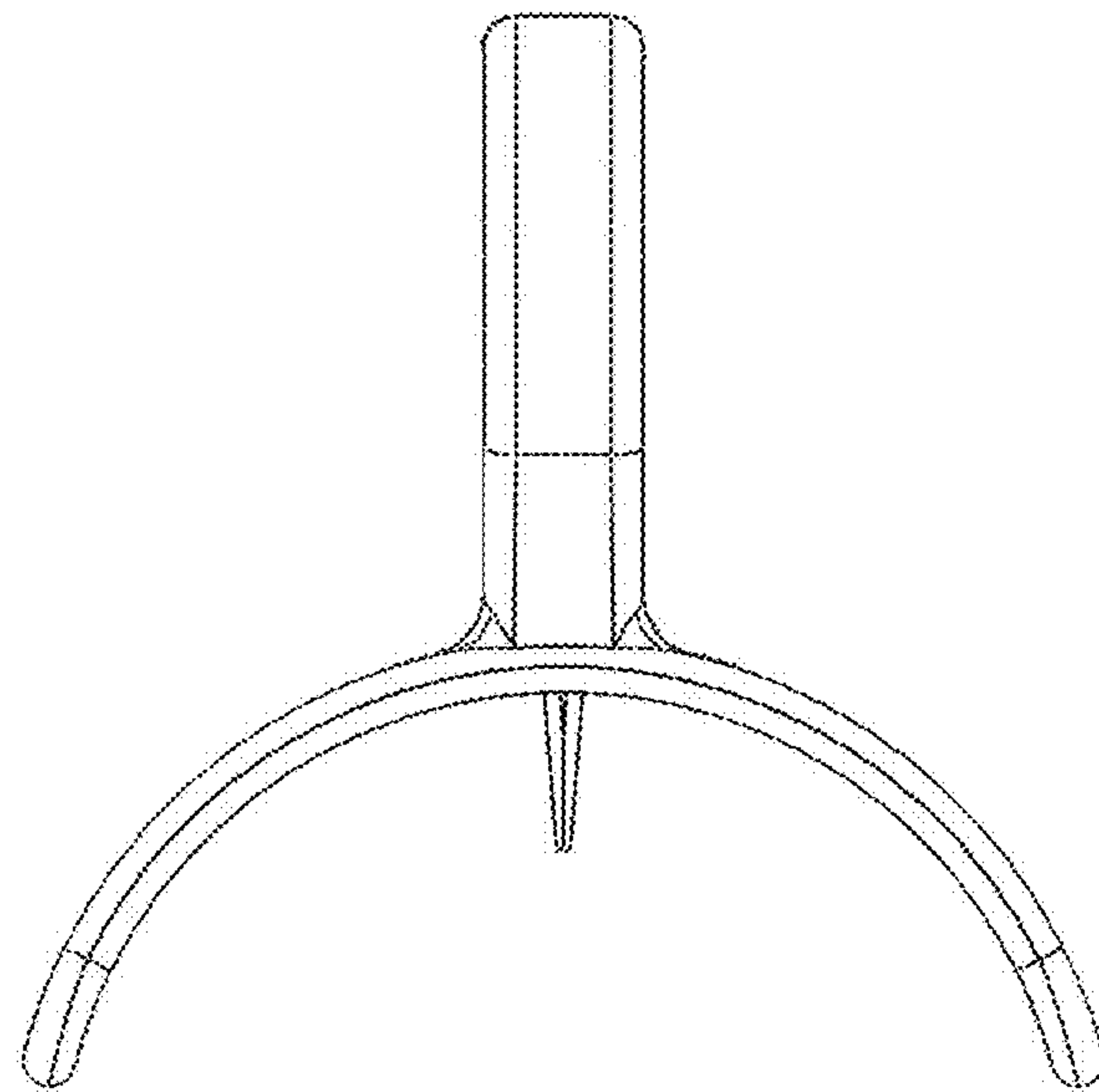


Fig._3

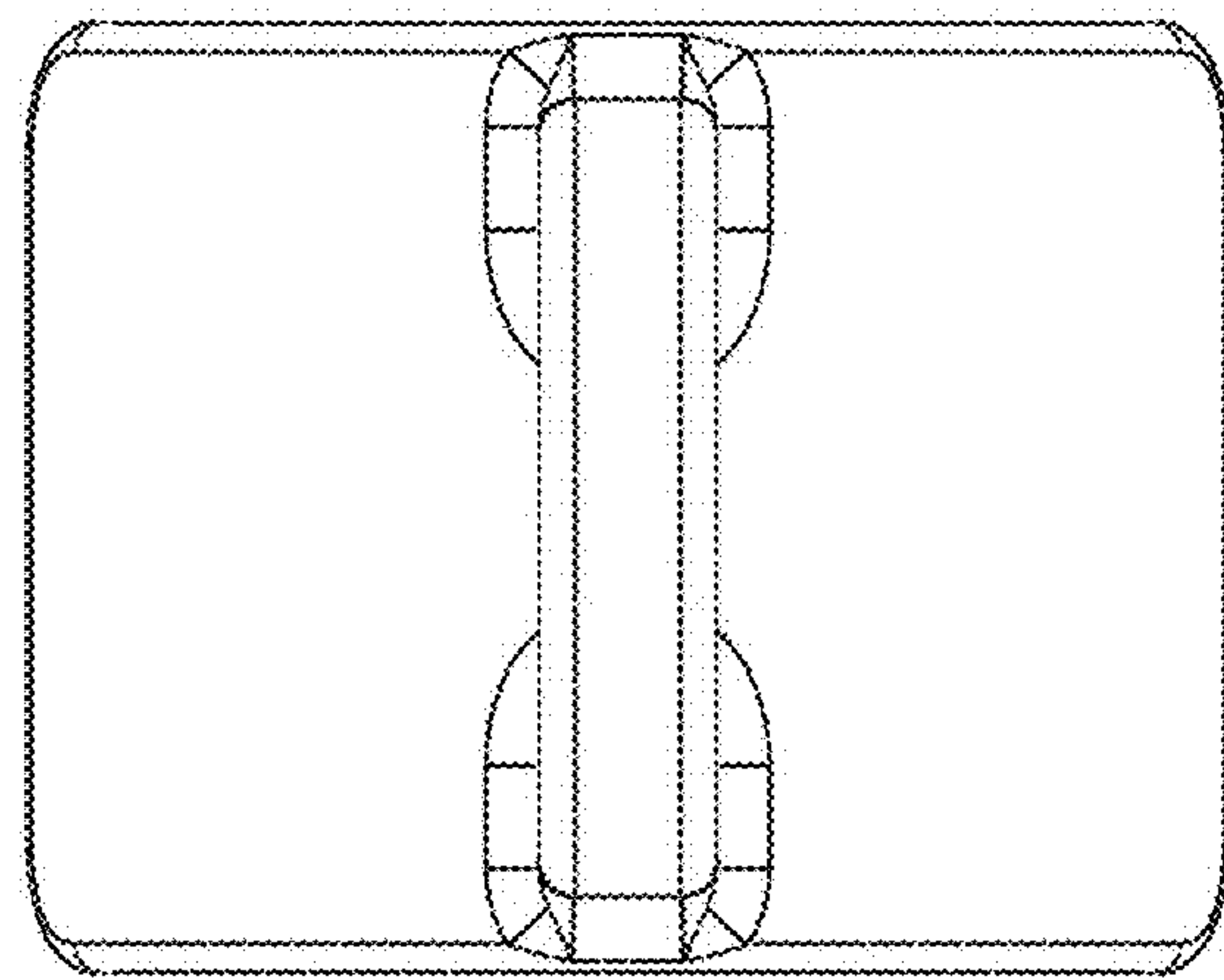


Fig._4

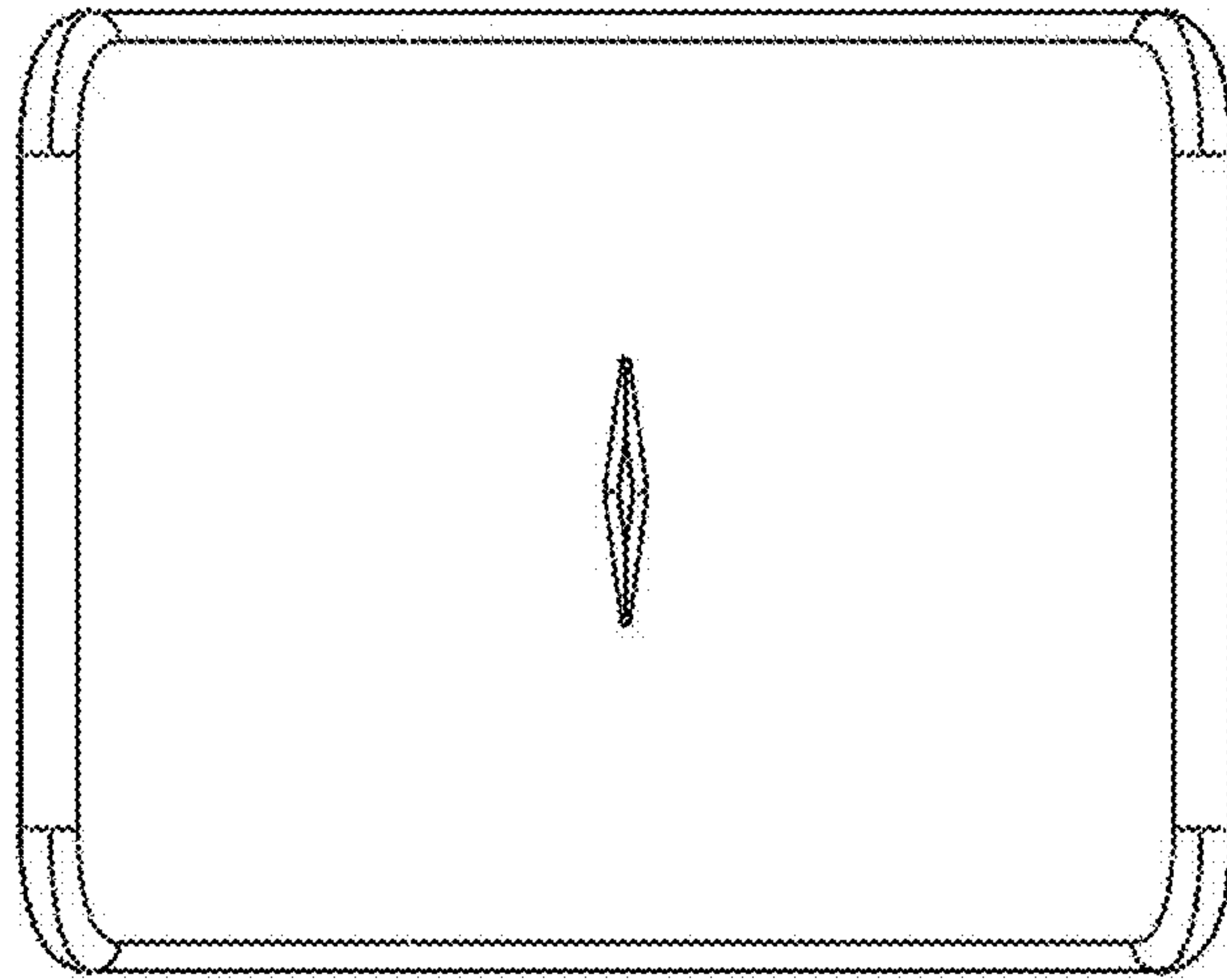


Fig. 5