



US00D929819S

(12) **United States Design Patent** (10) **Patent No.:** **US D929,819 S**
Huang (45) **Date of Patent:** **** Sep. 7, 2021**

(54) **GARLIC PRESS**

(71) Applicant: **Ruiyong Huang**, Jieyang (CN)

(72) Inventor: **Ruiyong Huang**, Jieyang (CN)

(**) Term: **15 Years**

(21) Appl. No.: **29/782,781**

(22) Filed: **May 10, 2021**

(51) **LOC (13) Cl.** **07-04**

(52) **U.S. Cl.**
USPC **D7/666**

(58) **Field of Classification Search**

USPC D7/665, 666
CPC .. A47J 19/06; A47J 19/00; A47J 19/02; A47J
19/005; A47J 19/023; A47J 19/04; A47J
43/286; B30B 9/04; B30B 9/02
See application file for complete search history.

(56) **References Cited**

U.S. PATENT DOCUMENTS

5,463,941 A * 11/1995 Gibson A47J 19/06
100/112
5,513,562 A * 5/1996 Moor A47J 19/06
100/112
D517,380 S * 3/2006 Kortleven D7/666

OTHER PUBLICATIONS

Amazon.com, FYNHOM Garlic Press 2 in 1 Garlic Mince and
Garlic Slice, pp. 1-5, Date first available Aug. 26, 2020 (Year:
2020).*

* cited by examiner

Primary Examiner — Terry A Wallace

(57) **CLAIM**

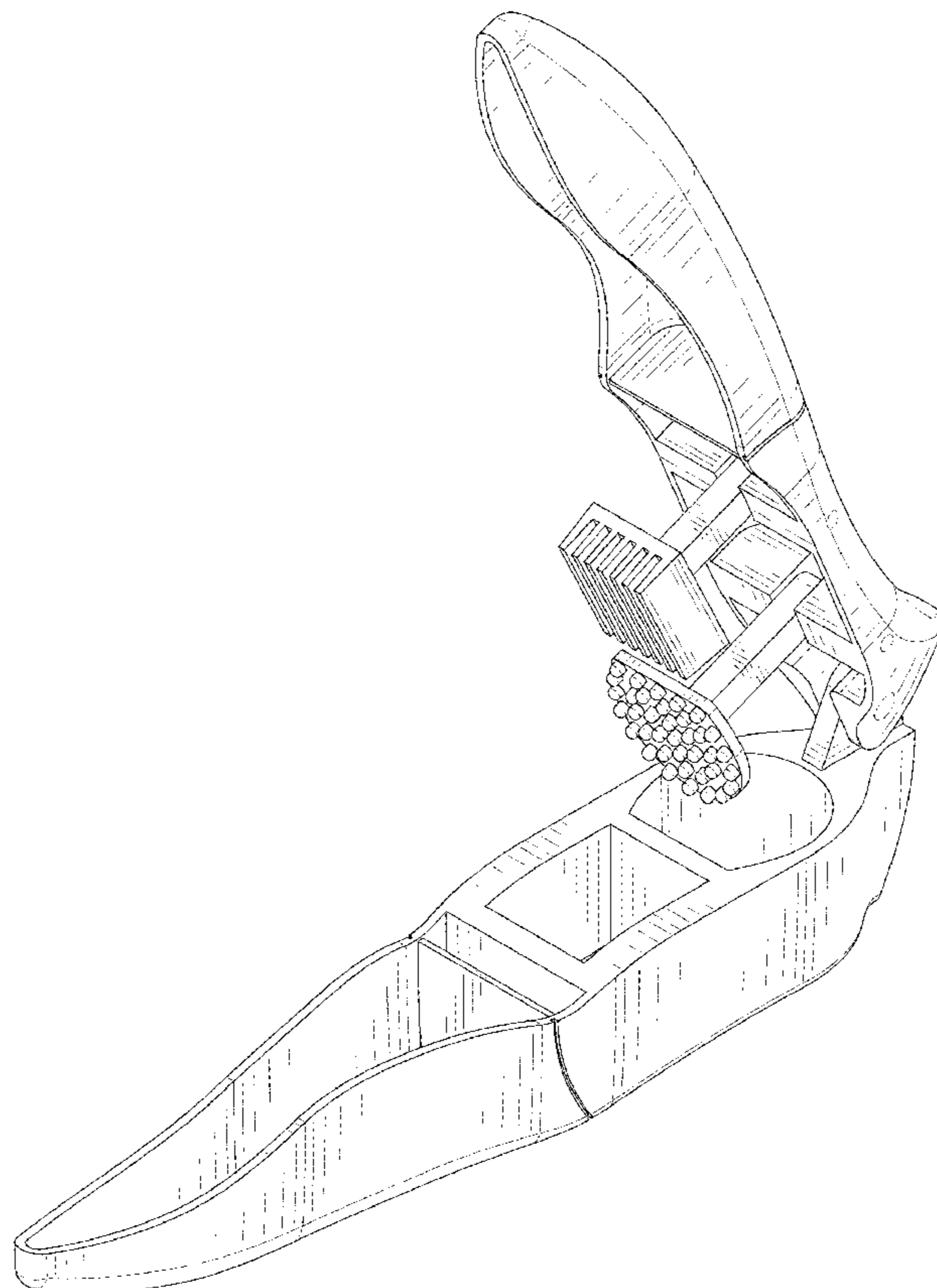
The ornamental design for a garlic press, as shown and
described.

DESCRIPTION

FIG. 1 is a first perspective view of a garlic press showing
my new design;
FIG. 2 is a second perspective view thereof;
FIG. 3 is a front view thereof;
FIG. 4 is a back view thereof;
FIG. 5 is a left side view thereof;
FIG. 6 is a right side view thereof;
FIG. 7 is a top view thereof;
FIG. 8 is a bottom view thereof;
FIG. 9 is a perspective view of another state of the garlic
press thereof; and,
FIG. 10 is a sectional view which is taken along line 10-10
in FIG. 5.

The broken lines shown in the drawings depict portions of
the garlic press in which the design is embodied that form no
part of the claimed design.

1 Claim, 10 Drawing Sheets



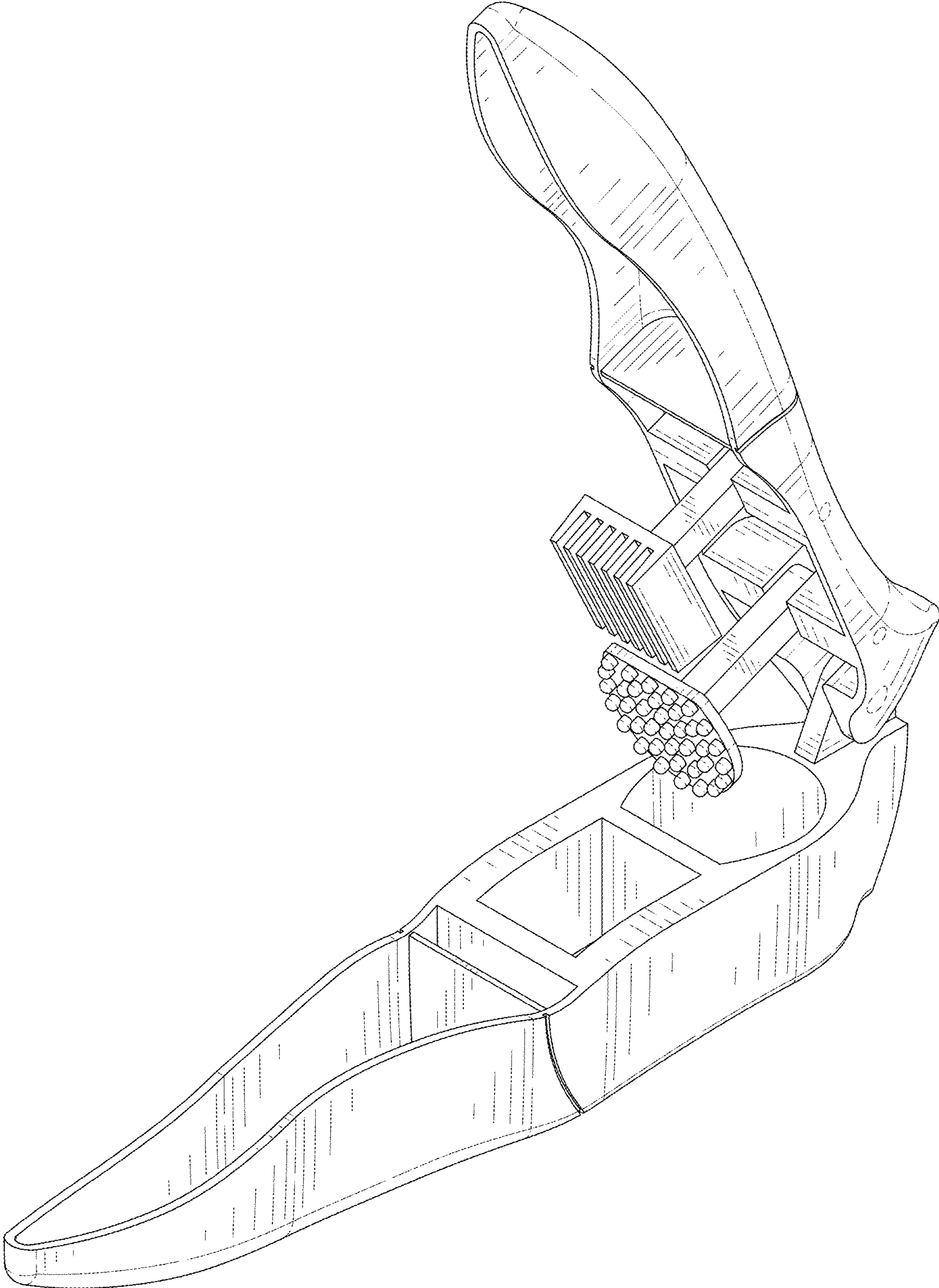


FIG. 1

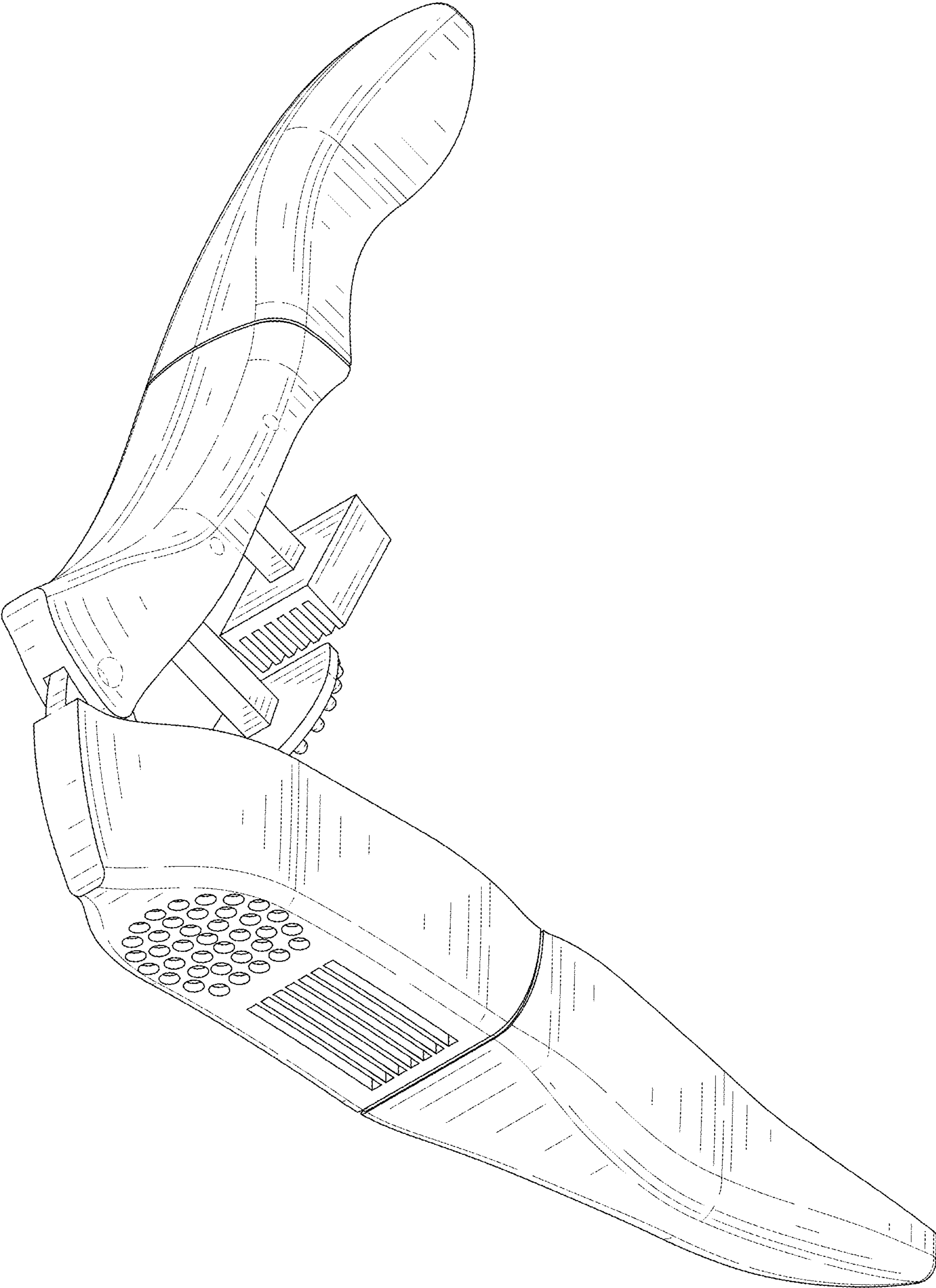


FIG. 2

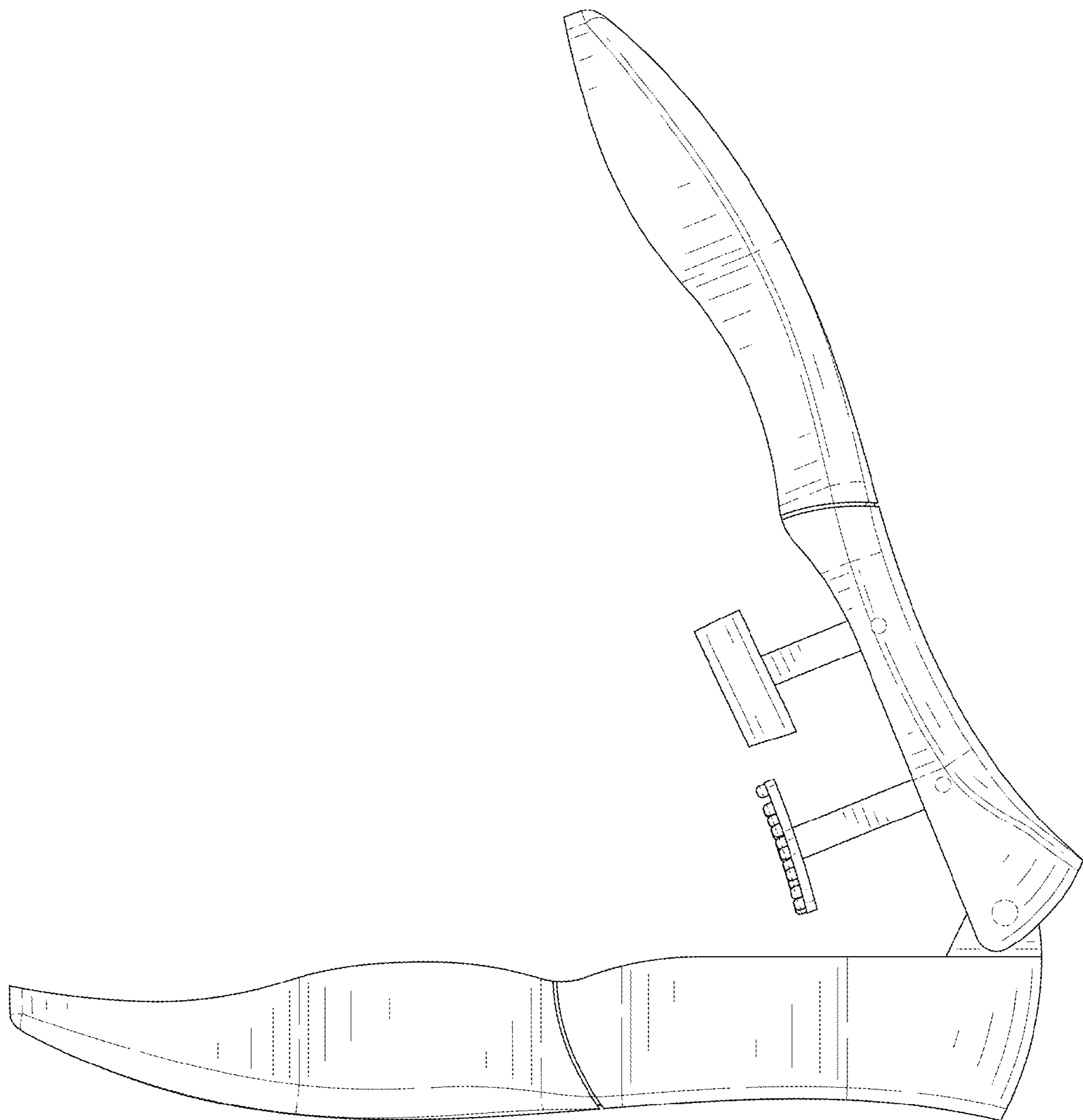


FIG. 3

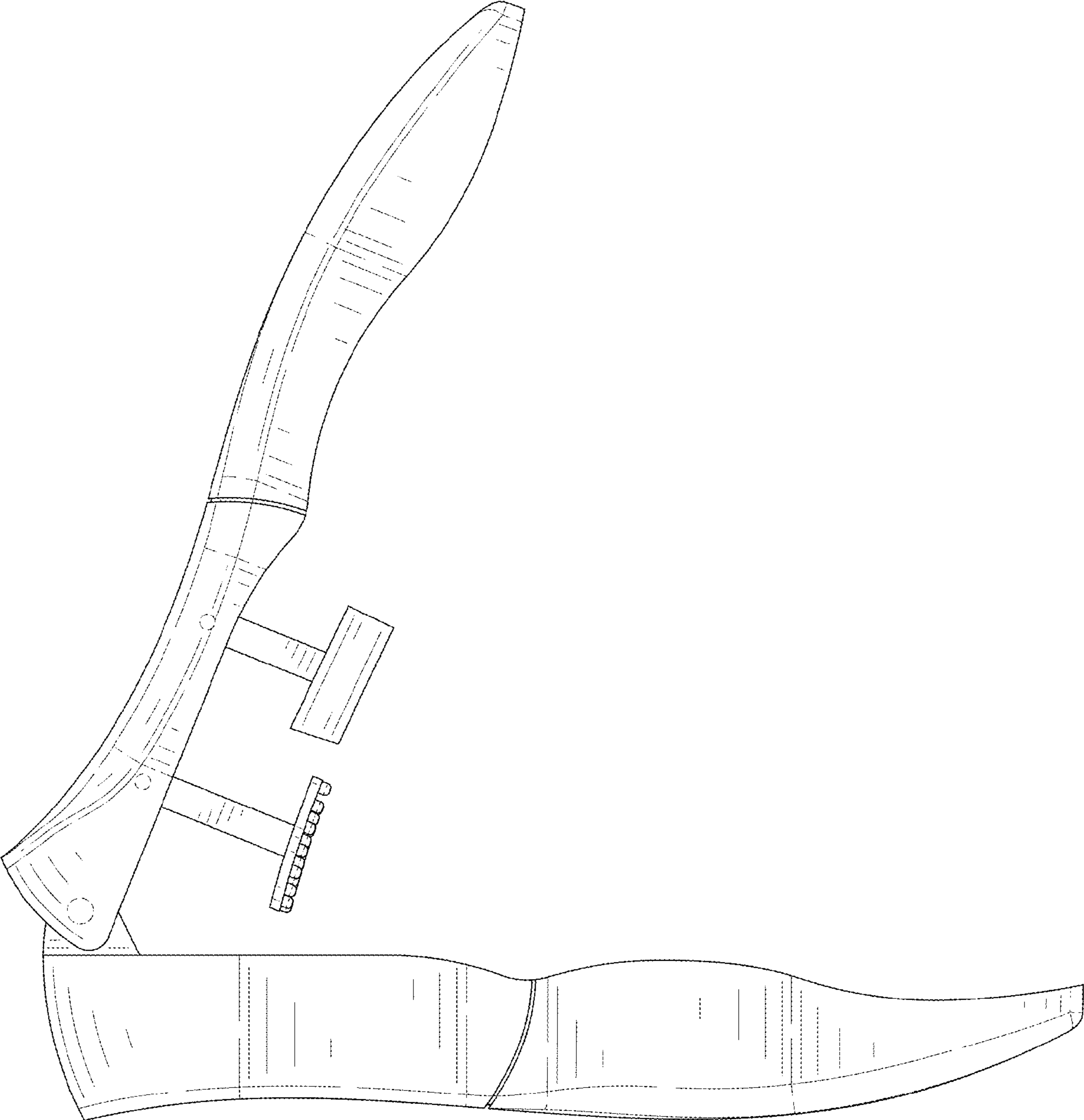


FIG. 4

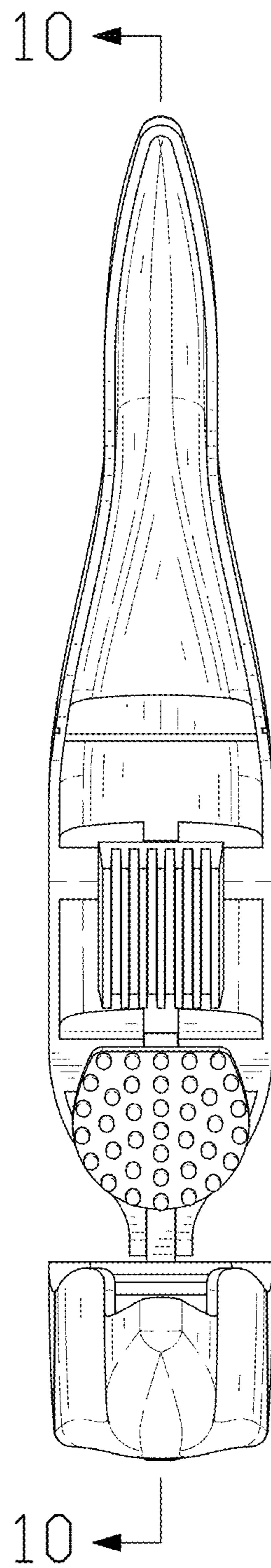


FIG. 5

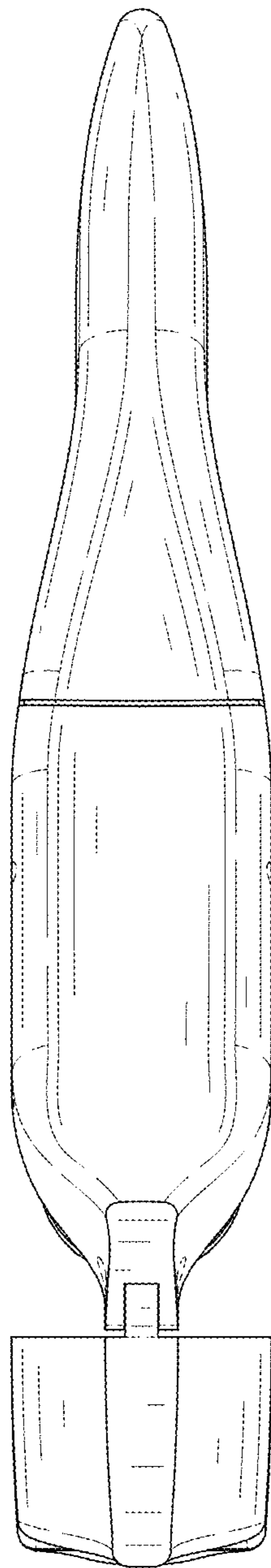


FIG. 6

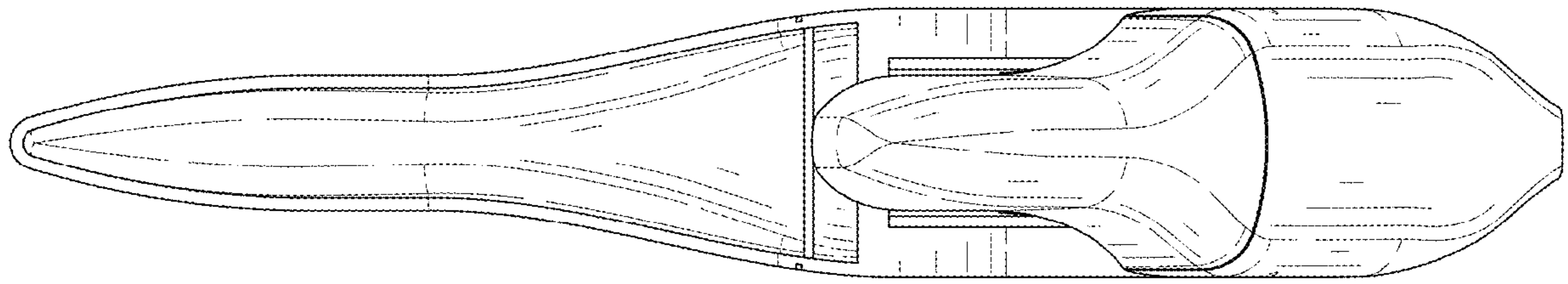


FIG. 7

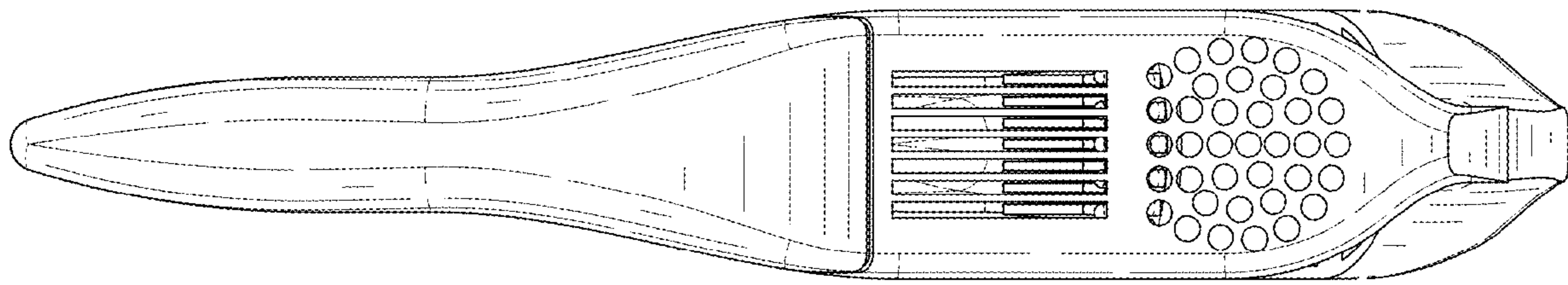


FIG. 8

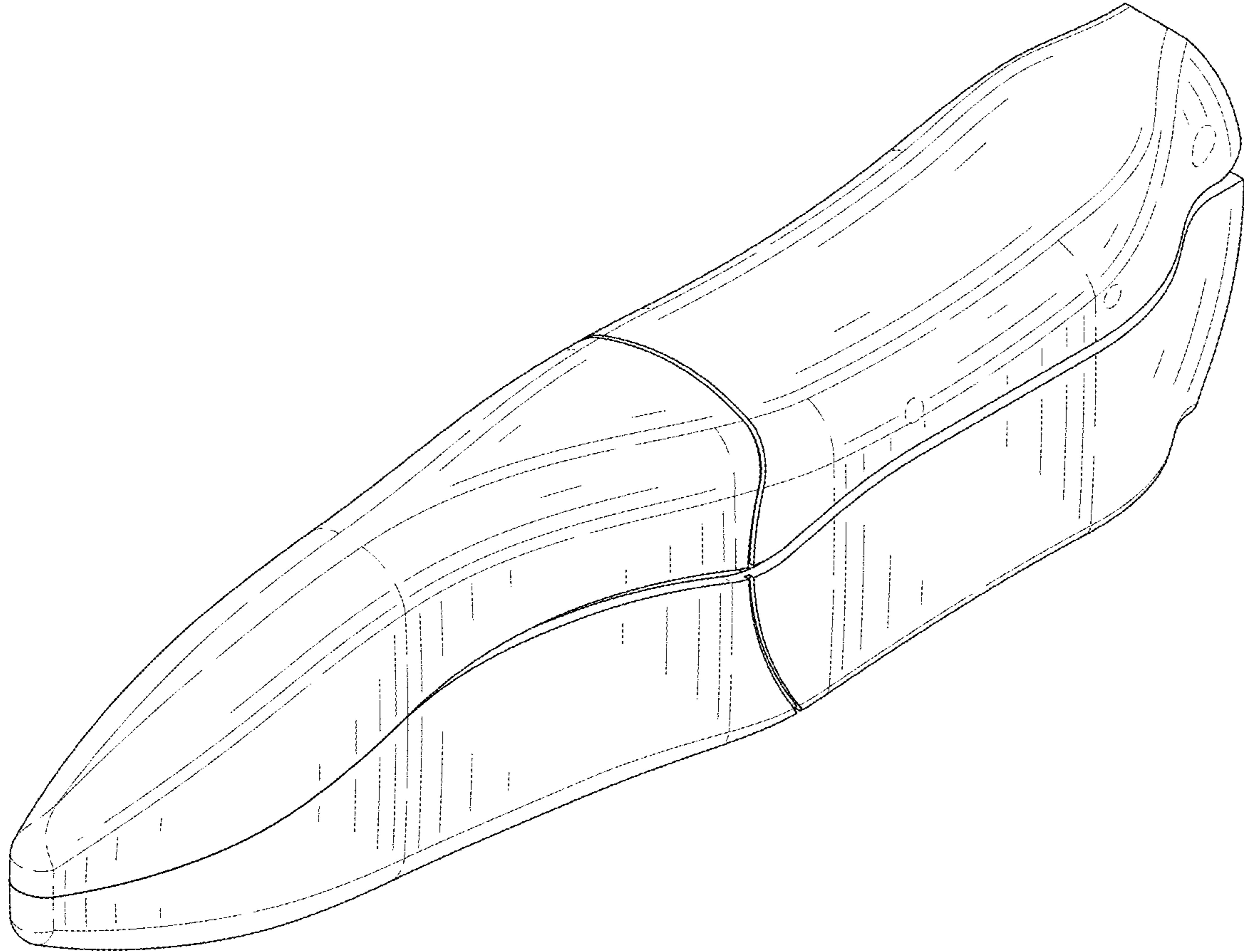


FIG. 9

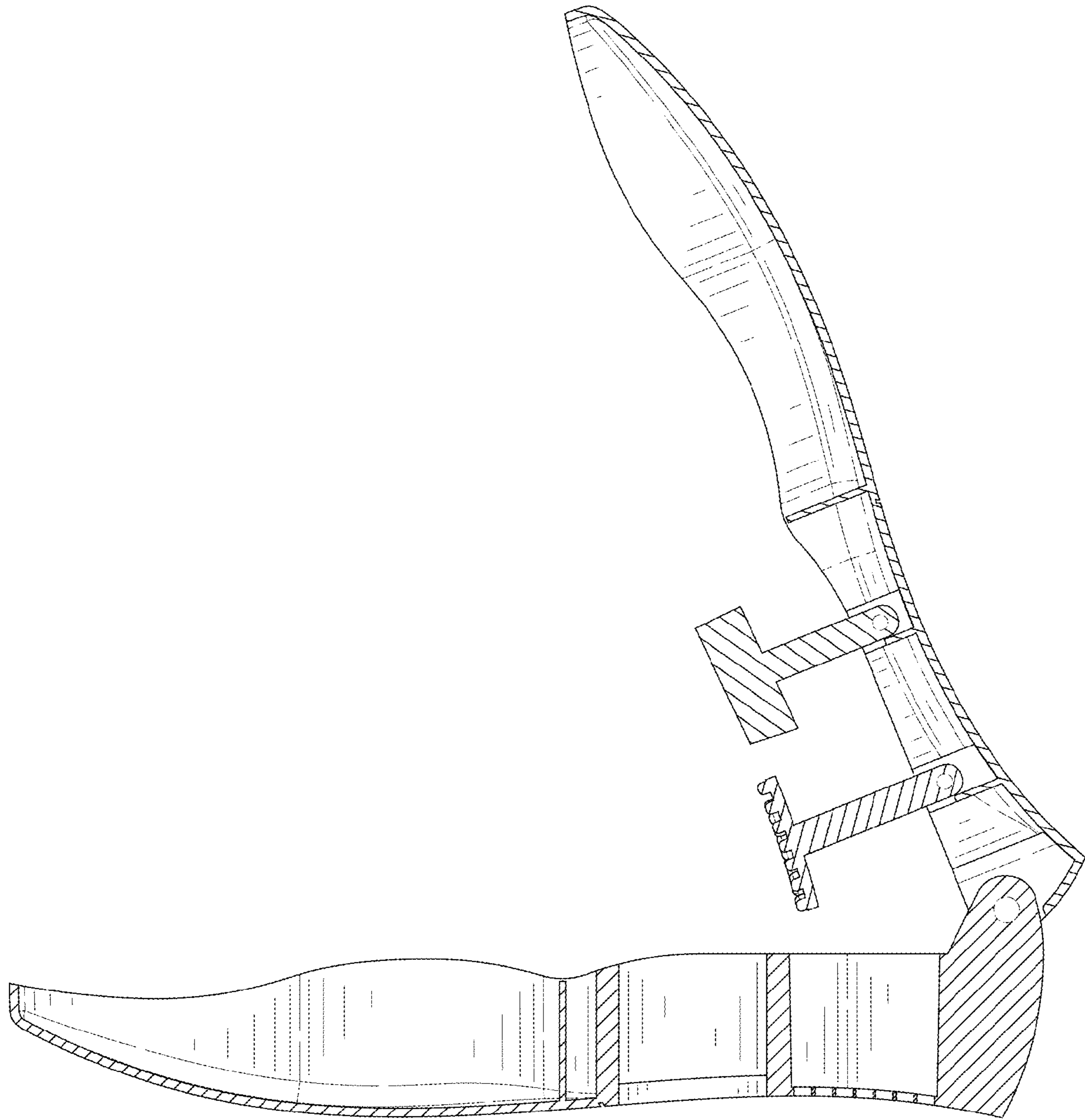


FIG. 10