



US00D929818S

(12) **United States Design Patent** (10) **Patent No.:** **US D929,818 S**
Finnance (45) **Date of Patent:** **** Sep. 7, 2021**

(54) **JUICER CONTAINER** 2013/0255511 A1* 10/2013 Steiner A47J 19/023
99/513

(71) Applicant: **Capbran Holdings, LLC**, Los Angeles, CA (US) * cited by examiner

(72) Inventor: **Robert Finnance**, Los Angeles, CA (US) *Primary Examiner* — Terry A Wallace
(74) *Attorney, Agent, or Firm* — Trojan Law Offices

(73) Assignee: **Capbran Holdings, LLC**, Los Angeles, CA (US) (57) **CLAIM**
The ornamental design for a juicer container, as shown and described.

(**) Term: **15 Years**

(21) Appl. No.: **29/743,935**

(22) Filed: **Jul. 24, 2020**

(51) **LOC (13) Cl.** **31-00**

(52) **U.S. Cl.**

USPC **D7/665**

(58) **Field of Classification Search**

USPC D7/665, 666

CPC A47J 19/00; A47J 19/02; A47J 19/023;

A47J 19/025; A47J 19/027; A47J 43/00;

A47J 43/042; A47J 2043/04454; A23N

1/00; A23N 1/003; A23N 1/02; A23N

1/006

See application file for complete search history.

(56) **References Cited**

U.S. PATENT DOCUMENTS

D740,621 S * 10/2015 Fouquet D7/665

D778,127 S * 2/2017 Chen D7/665

DESCRIPTION

FIG. 1 top, front, perspective view of a juicer container combined with a juicer base (in dashed lines), lid, and plunger showing my new design;

FIG. 2 is a top perspective view of the combined juicer container, lid, and plunger of FIG. 1;

FIG. 3 is a bottom perspective view of the combined juicer container, lid, and plunger of FIG. 1;

FIG. 4 is a front view of the combined juicer container, lid, and plunger of FIG. 1;

FIG. 5 is a rear view of the combined juicer container, lid, and plunger of FIG. 1;

FIG. 6 is a left side view of the combined juicer container, lid, and plunger of FIG. 1;

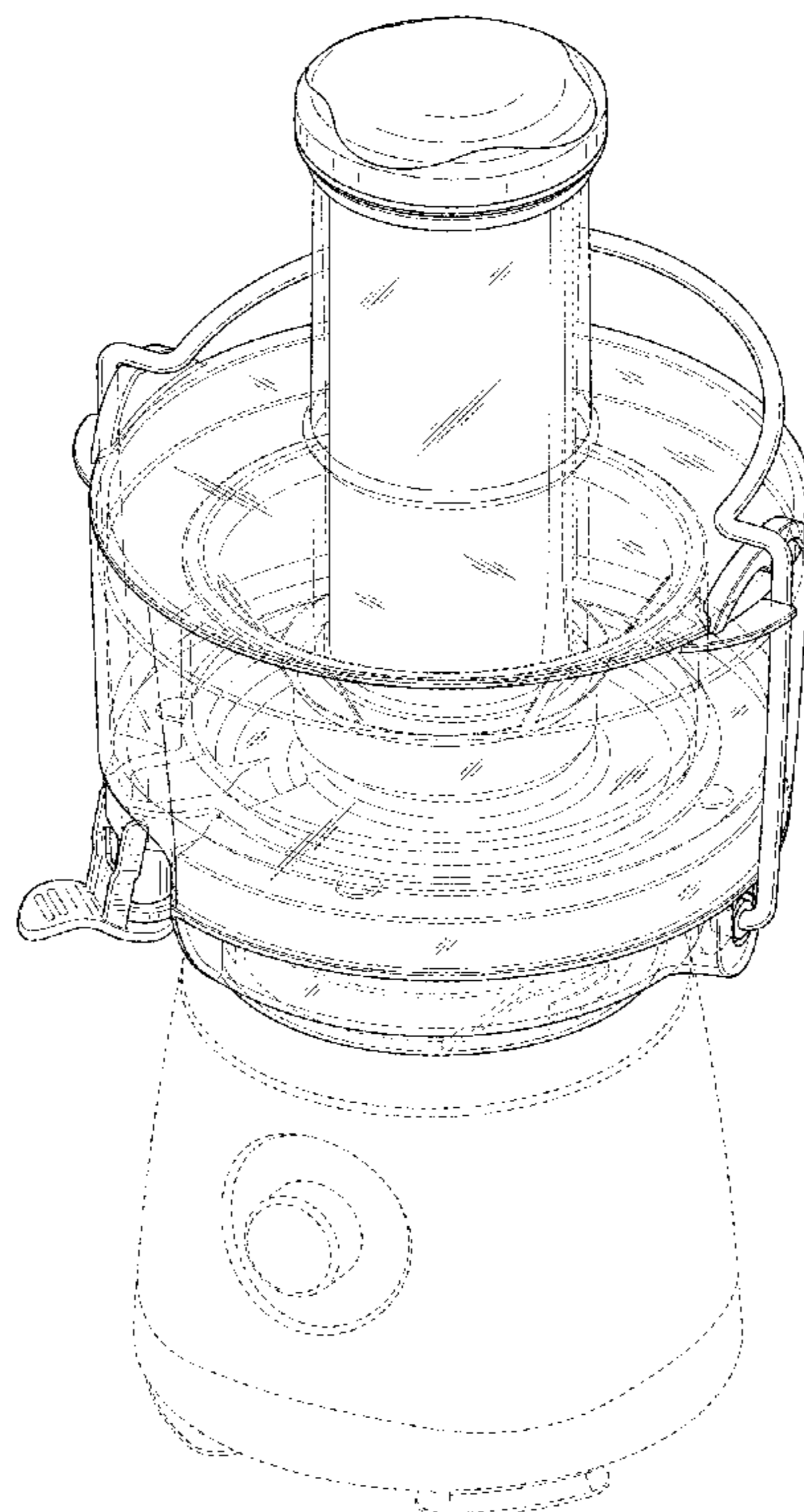
FIG. 7 is a right side view of the combined juicer container, lid, and plunger of FIG. 1;

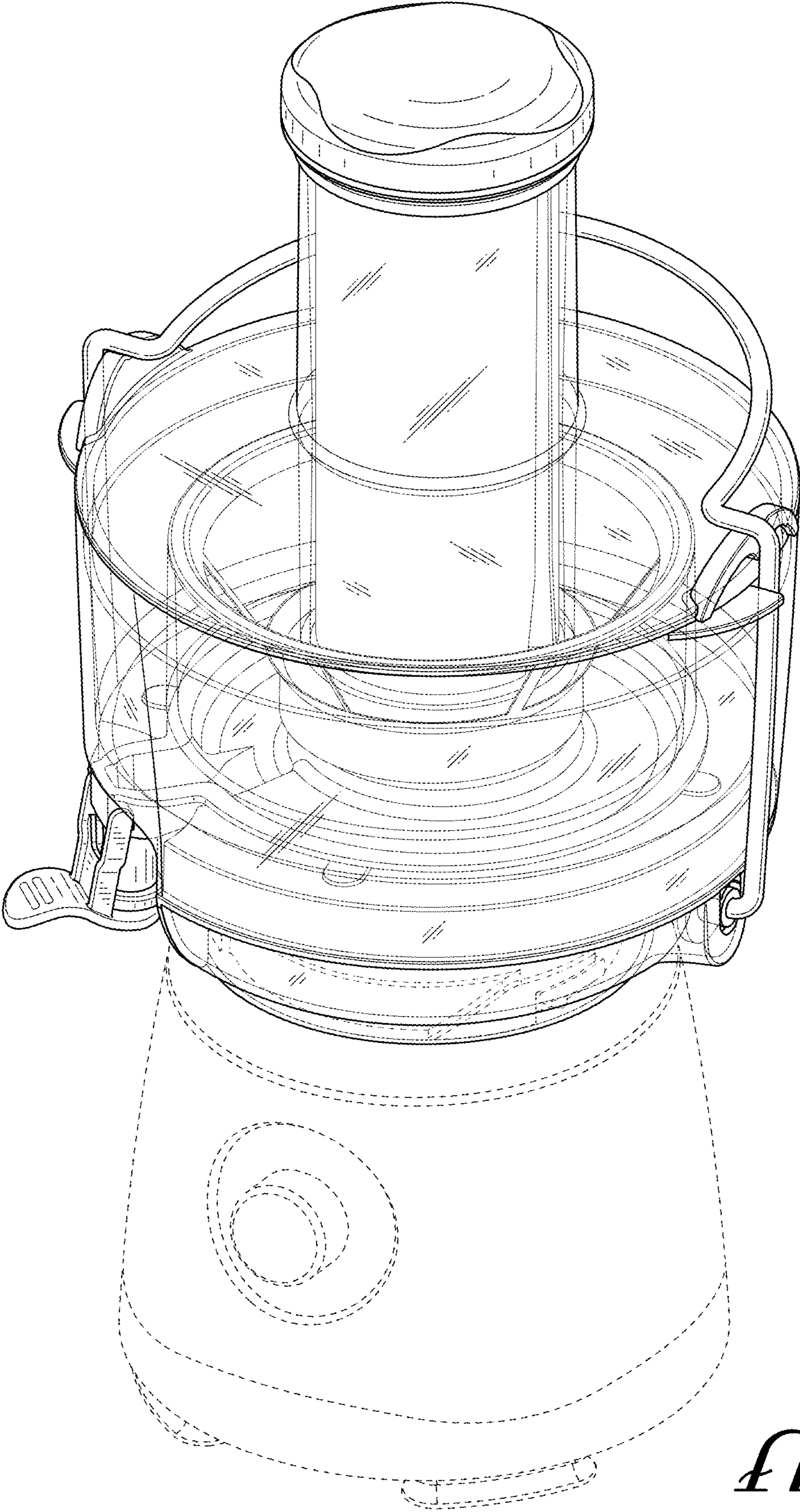
FIG. 8 is a top view of the combined juicer container, lid, and plunger of FIG. 1; and,

FIG. 9 is a bottom view of the combined juicer container, lid, and plunger of FIG. 1.

Any broken lines, shown throughout in the drawing figures, are included for the purpose of illustrating environmental structures and form no part of the claimed design.

1 Claim, 9 Drawing Sheets





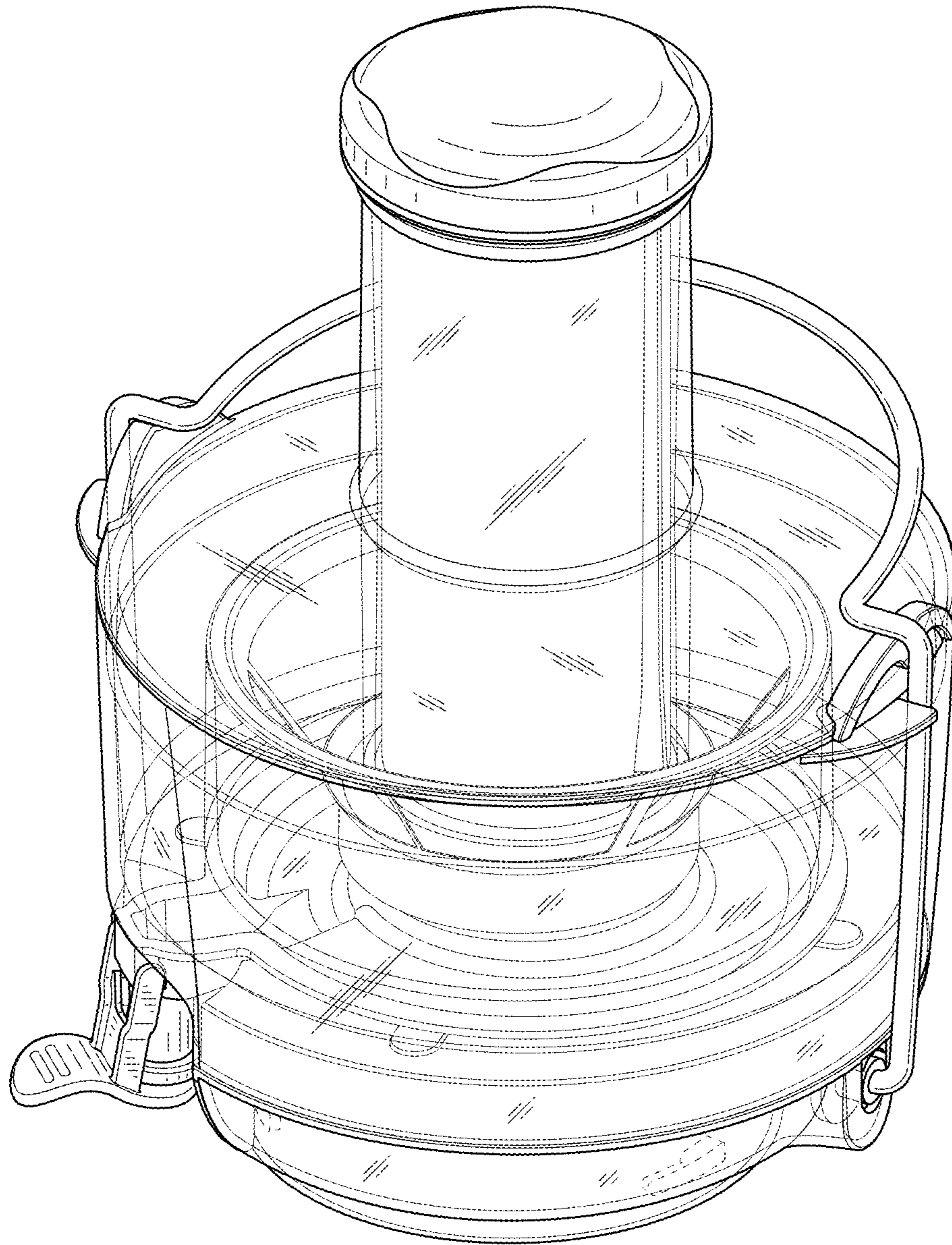


FIG. 2

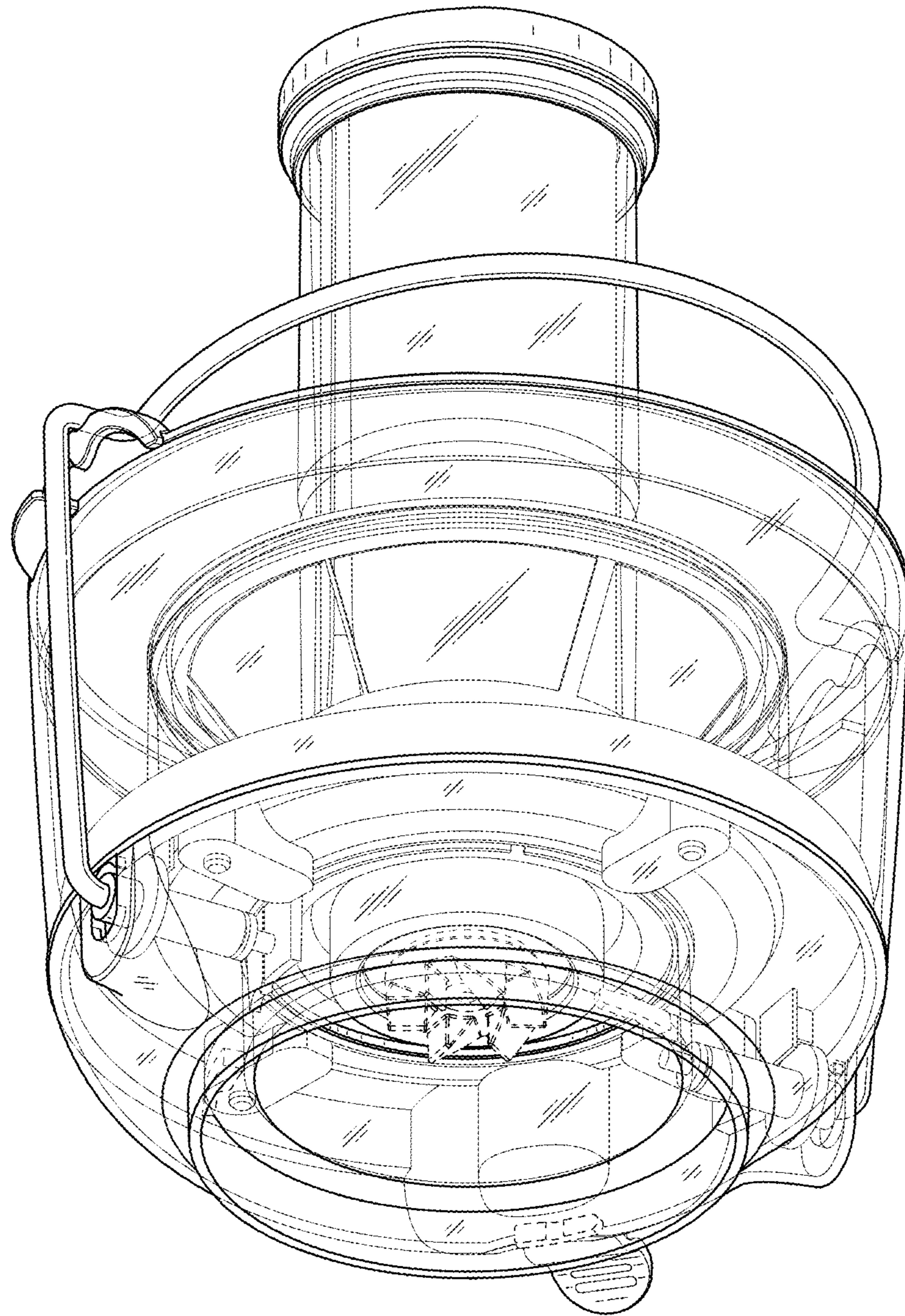


FIG. 3

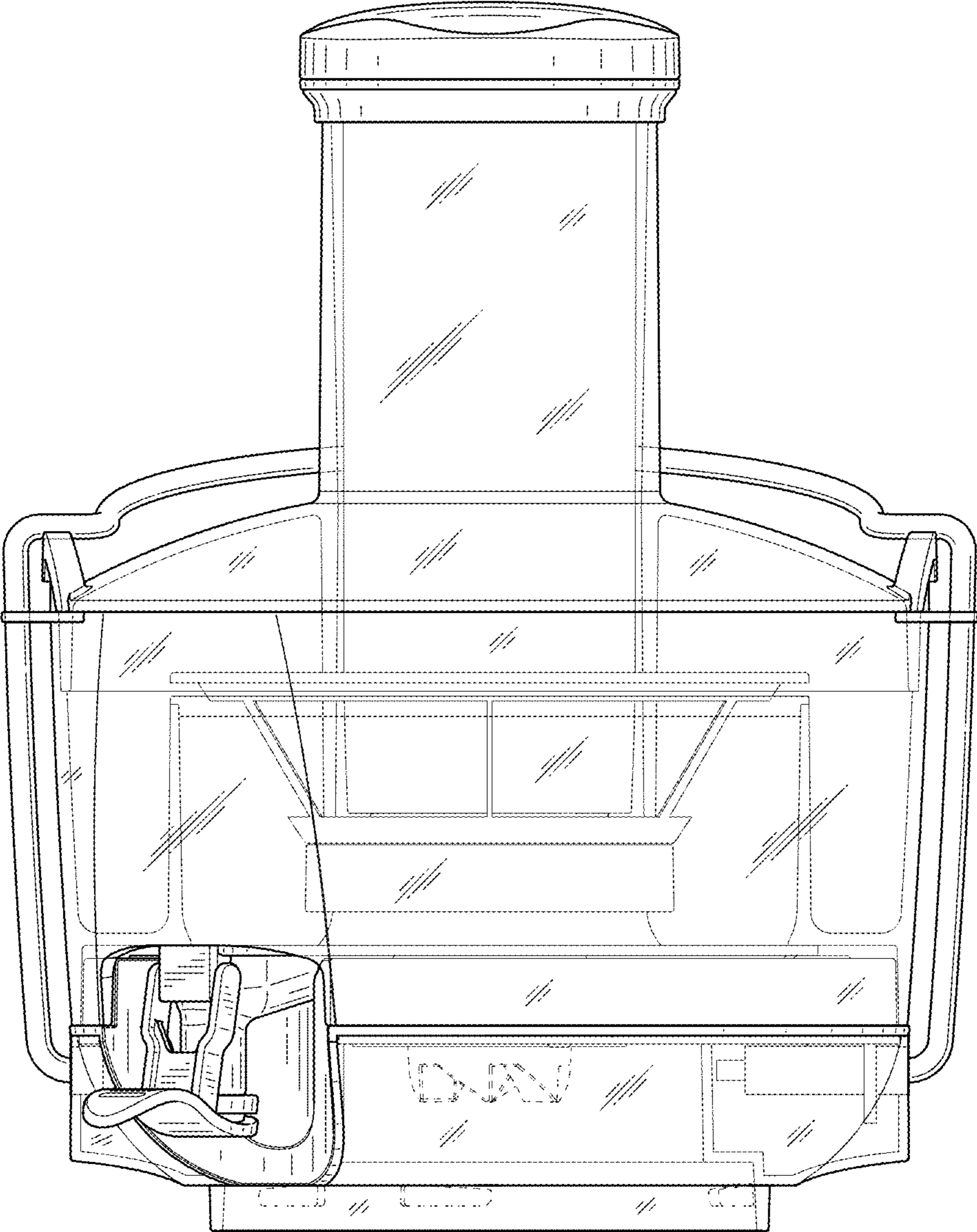


FIG. 4

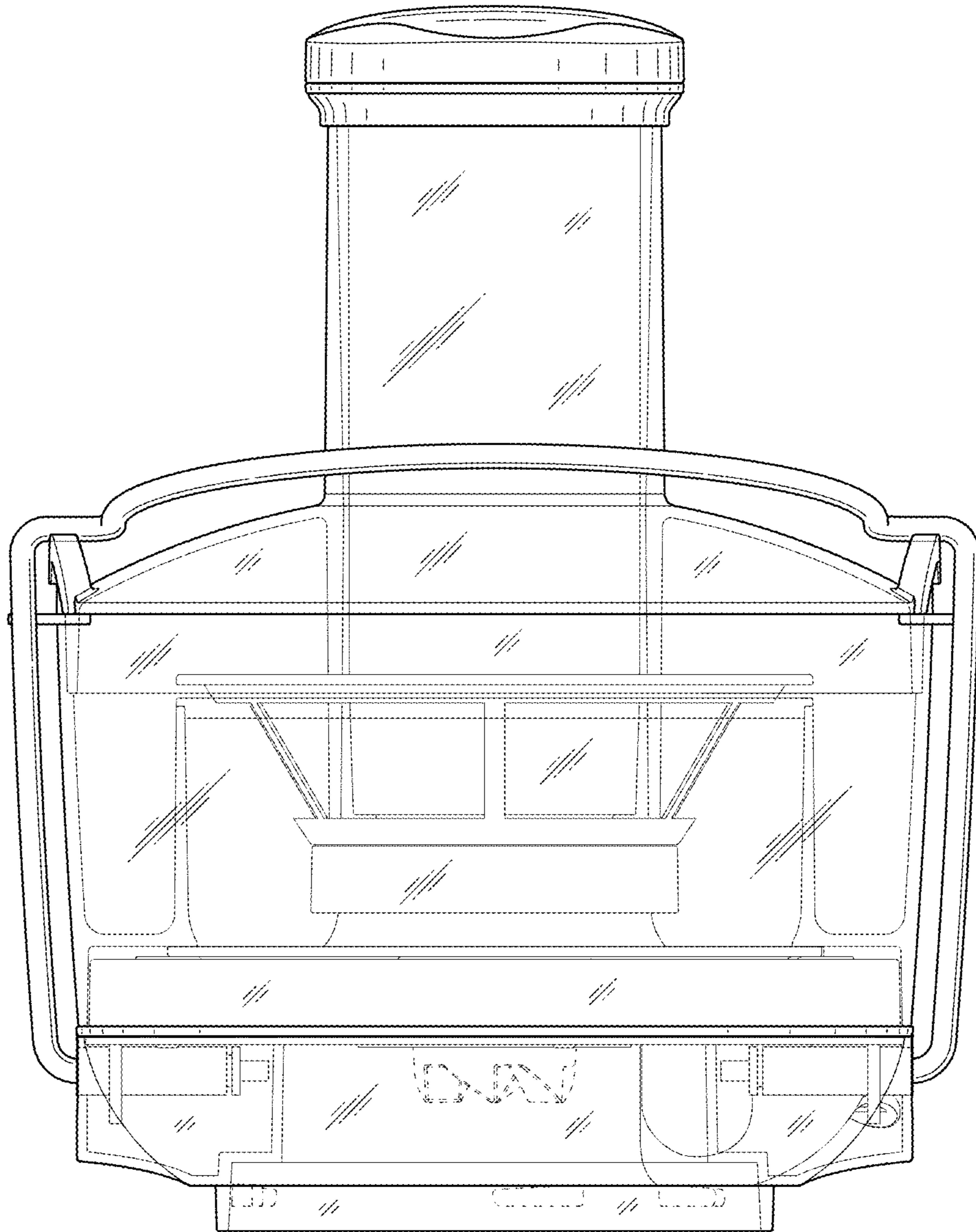


FIG. 5

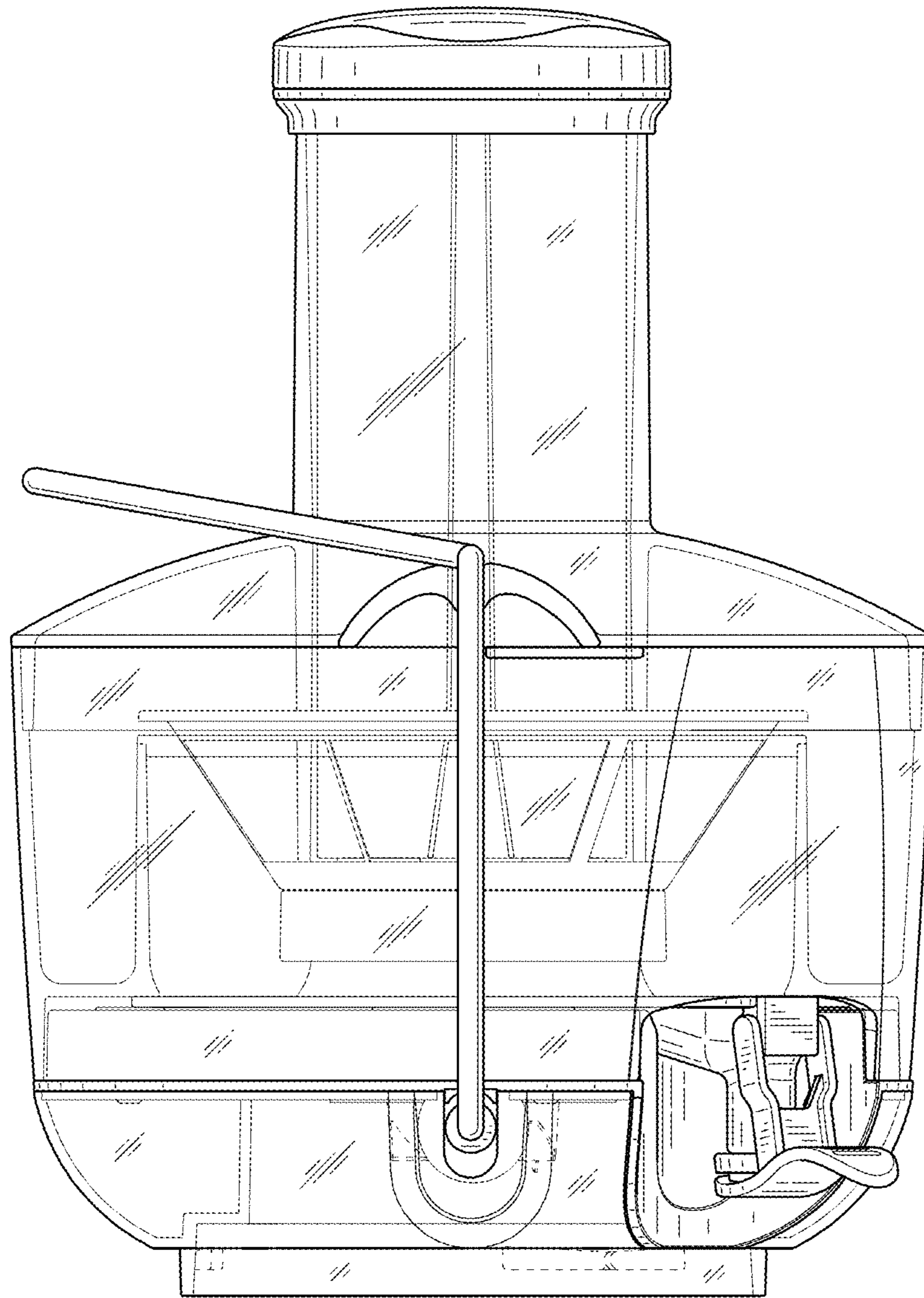


FIG. 6

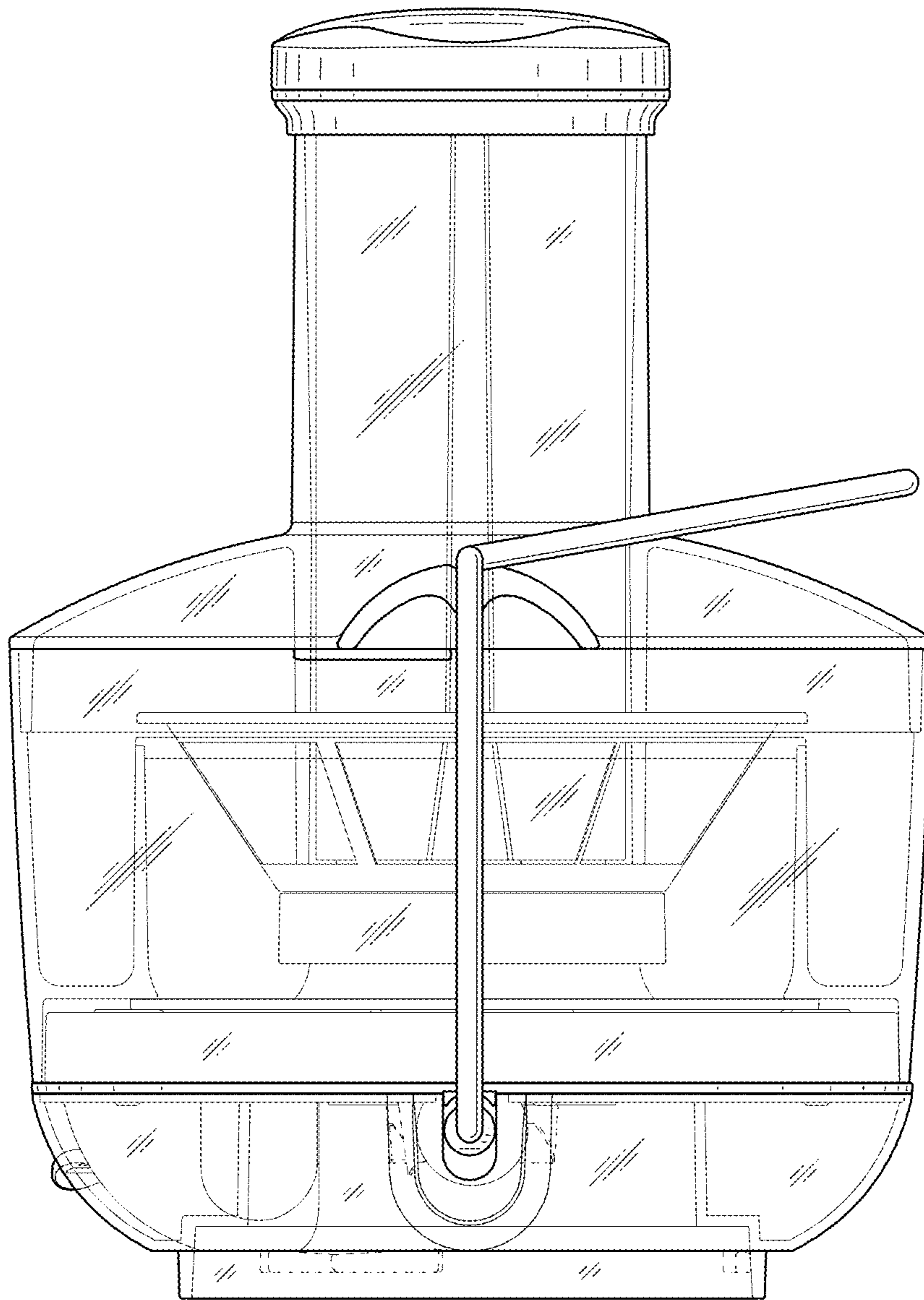


FIG. 7

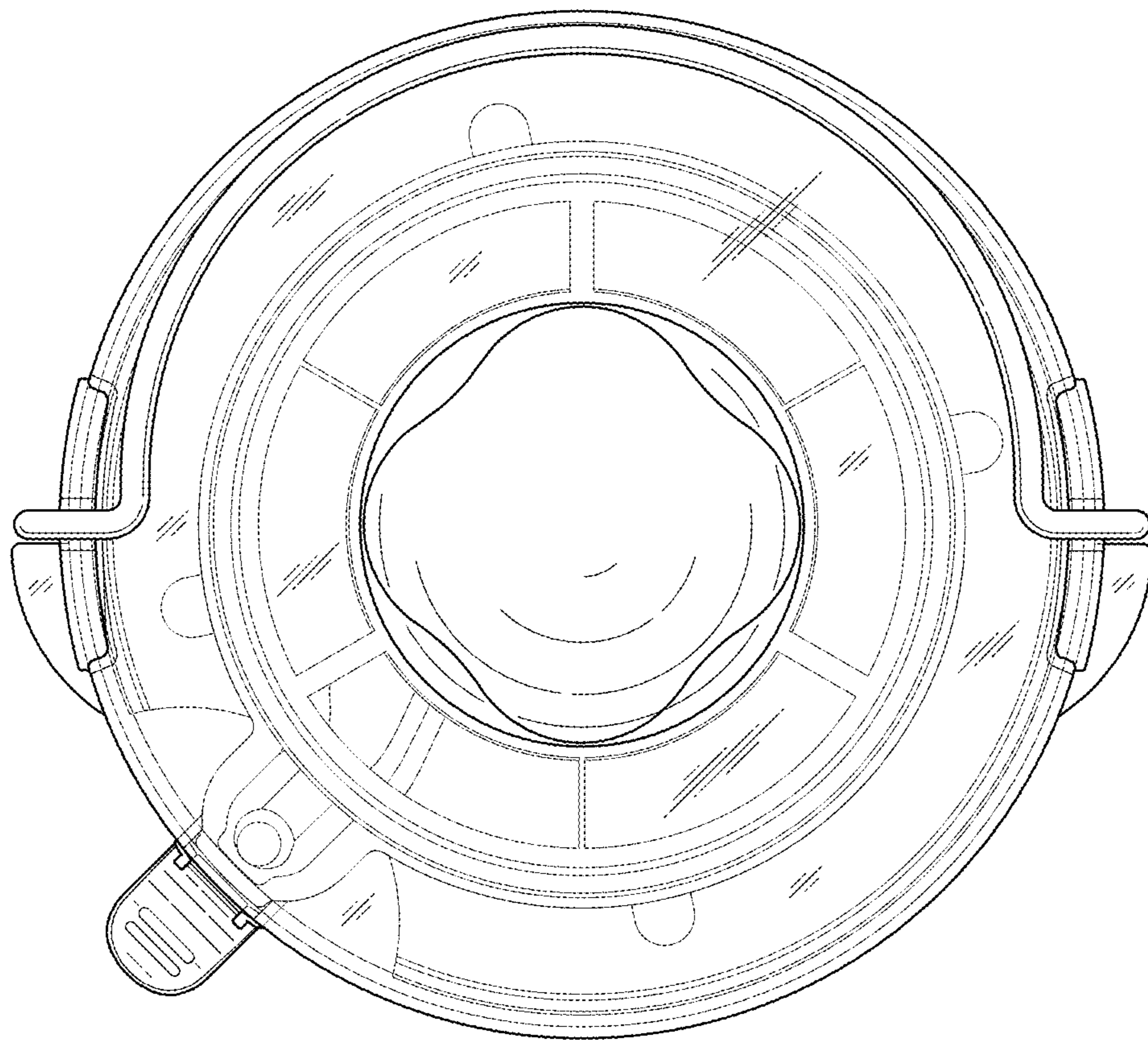


FIG. 8

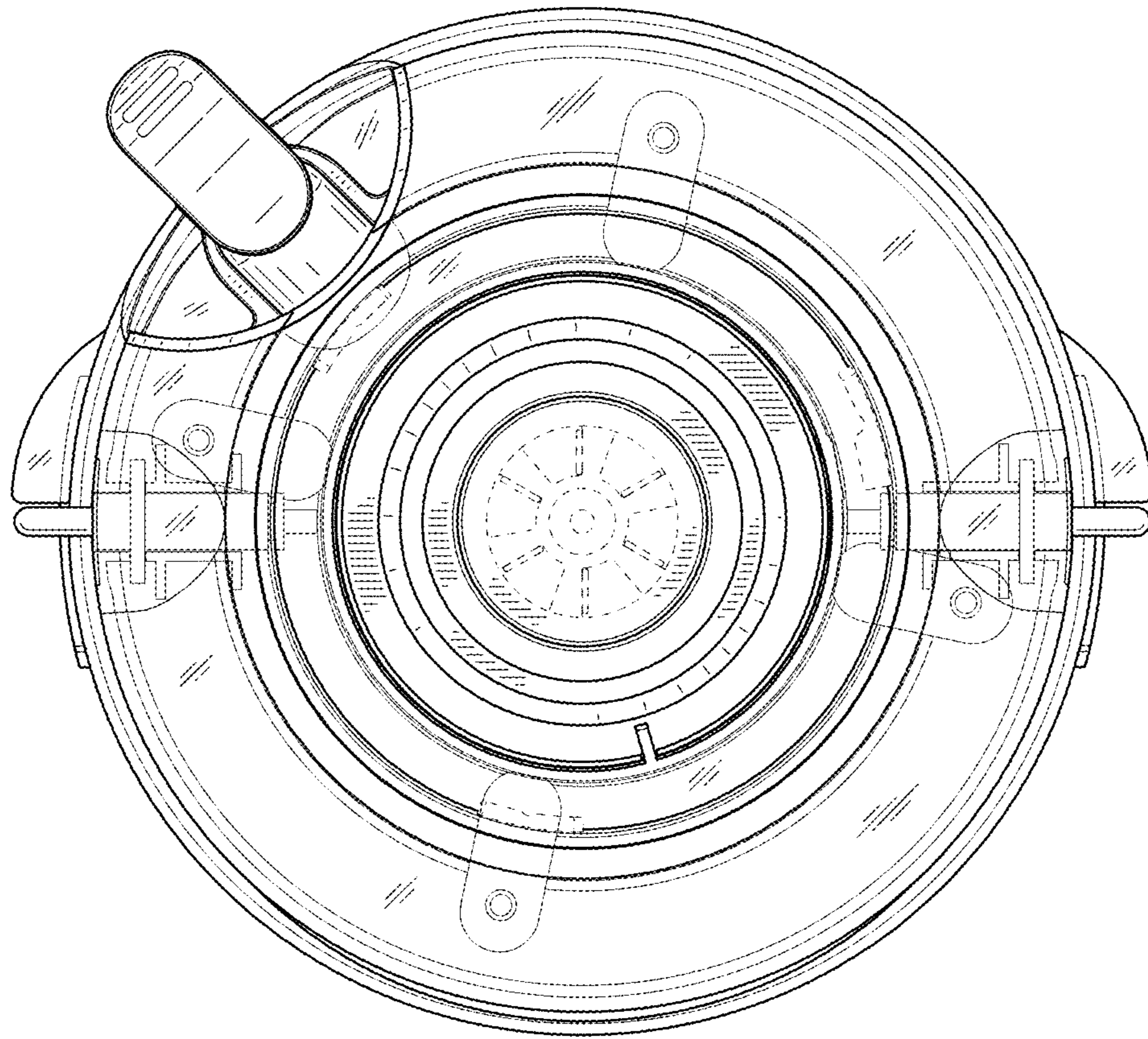


FIG. 9