



US00D929816S

(12) **United States Design Patent** (10) **Patent No.:** **US D929,816 S**
Nelson et al. (45) **Date of Patent:** **** Sep. 7, 2021**

(54) **BEVERAGE HOLDER**

D786,024 S * 5/2017 Panone D7/624.2
2020/0017279 A1* 1/2020 Quinn B65D 81/3876

(71) Applicant: **Scribe OpCo, Inc.**, Clearwater, FL (US)

* cited by examiner

(72) Inventors: **Chris Nelson**, Dunedin, FL (US);
Rachel Rosario, Tampa, FL (US)

Primary Examiner — Terry A Wallace
(74) *Attorney, Agent, or Firm* — Shumaker, Loop & Kendrick, LLP; James D. Miller

(73) Assignee: **SCRIBE OPCO, INC.**, Clearwater, FL (US)

(**) Term: **15 Years**

(57) **CLAIM**

(21) Appl. No.: **29/722,237**

The ornamental design for a beverage holder, as shown and described.

(22) Filed: **Jan. 28, 2020**

(51) **LOC (13) Cl.** **07-06**

(52) **U.S. Cl.**

USPC **D7/624.2**

(58) **Field of Classification Search**

USPC D7/619.1–625, 607, 608; D3/229;
D24/199

CPC A47G 23/0216; A47G 23/0266; A47G
23/0241; A47G 23/0258; B65D 81/38;
B65D 81/3876; B65D 81/3879; B65D
81/3881; B65D 81/3886; B65D 81/3888;
B65D 81/389; B65D 81/3893; B65D
81/3895; B65D 81/3869; B65D 81/3897;
B65D 81/3883; F25D 3/08; F25D 31/007;
F25D 31/008; F25D 31/002; F25D
31/006; A45C 11/20

See application file for complete search history.

DESCRIPTION

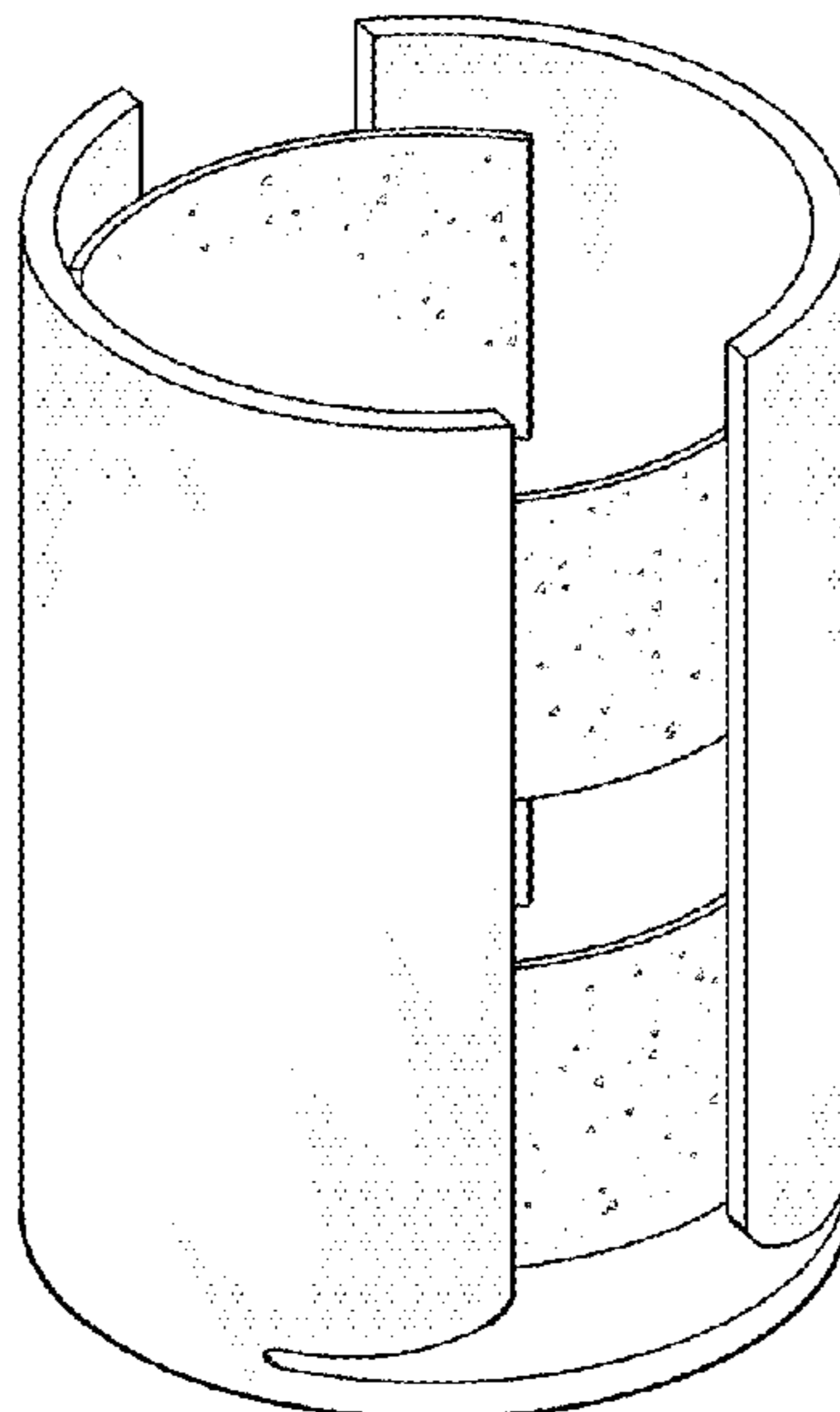
FIG. 1 is a top perspective view of an embodiment of a beverage holder showing our new design; FIG. 2 is a right side elevational view thereof, wherein a left side elevational view is not shown since it is identical to the right side elevational view; FIG. 3 is a front elevational view thereof, wherein a rear elevational view is not shown since it is identical to the front elevational view; FIG. 4 is a top plan view thereof; FIG. 5 is a bottom plan view thereof; FIG. 6 is a top perspective view of an another embodiment of a beverage holder; FIG. 7 is a right side elevational view thereof, wherein a left side elevational view is not shown since it is identical to the right side elevational view; FIG. 8 is a front elevational view thereof, wherein a rear elevational view is not shown since it is identical to the front elevational view; FIG. 9 is a top plan view thereof; and, FIG. 10 is a bottom plan view thereof.

(56) **References Cited**

U.S. PATENT DOCUMENTS

5,467,891 A * 11/1995 Perry B65D 81/3886
220/739
8,251,247 B1 * 8/2012 Breckner A47G 23/0241
220/739

1 Claim, 4 Drawing Sheets



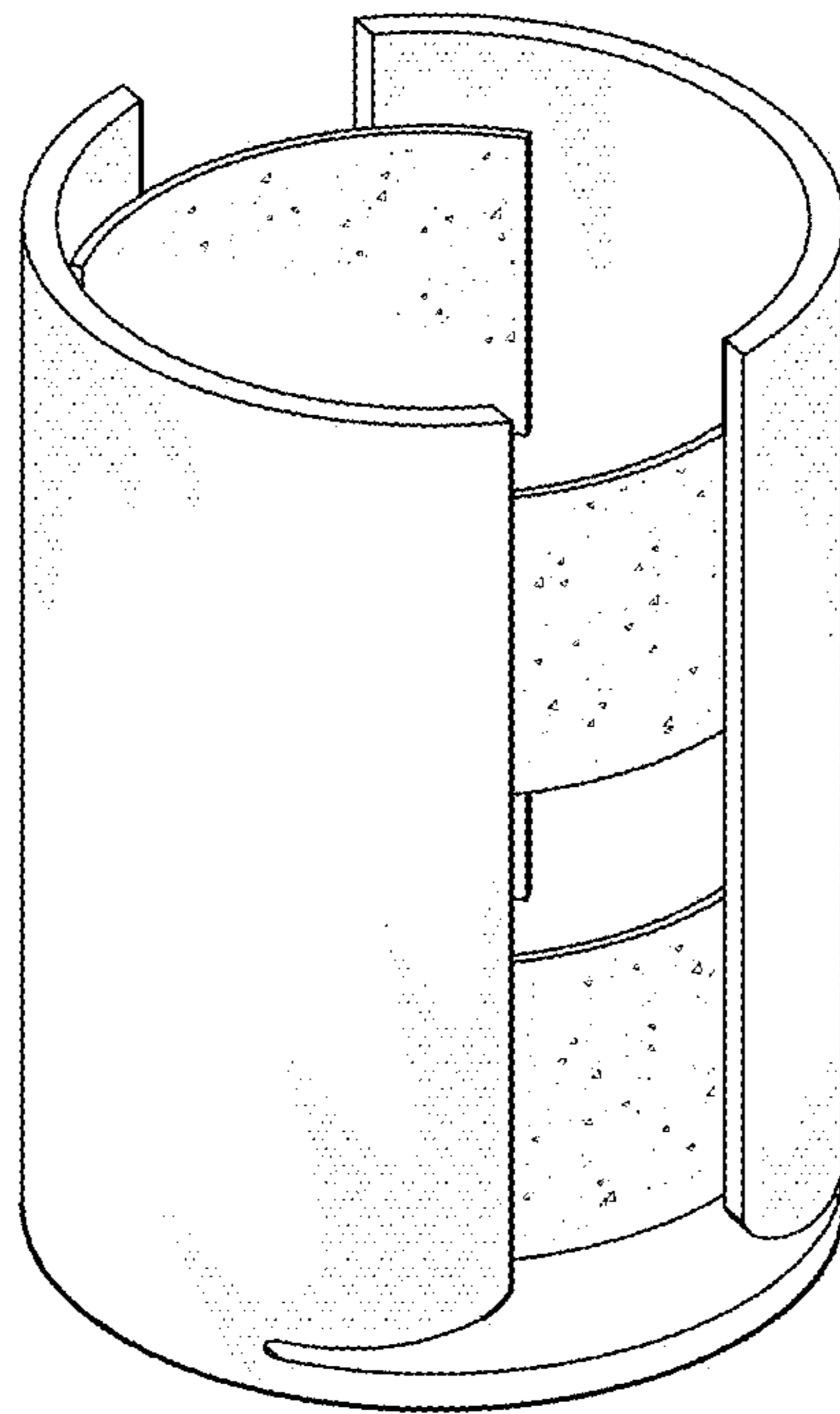


FIG. 1

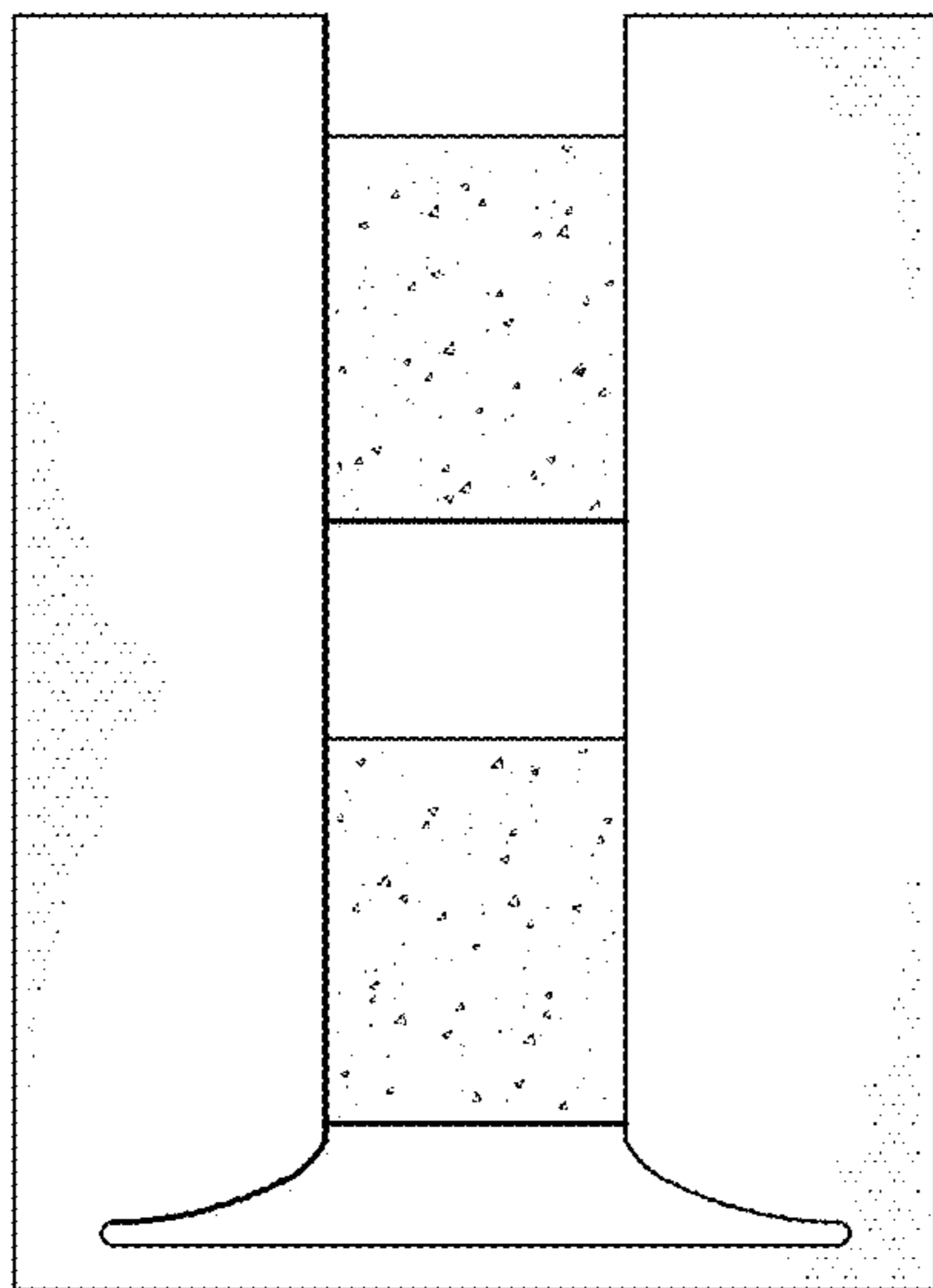


FIG. 2

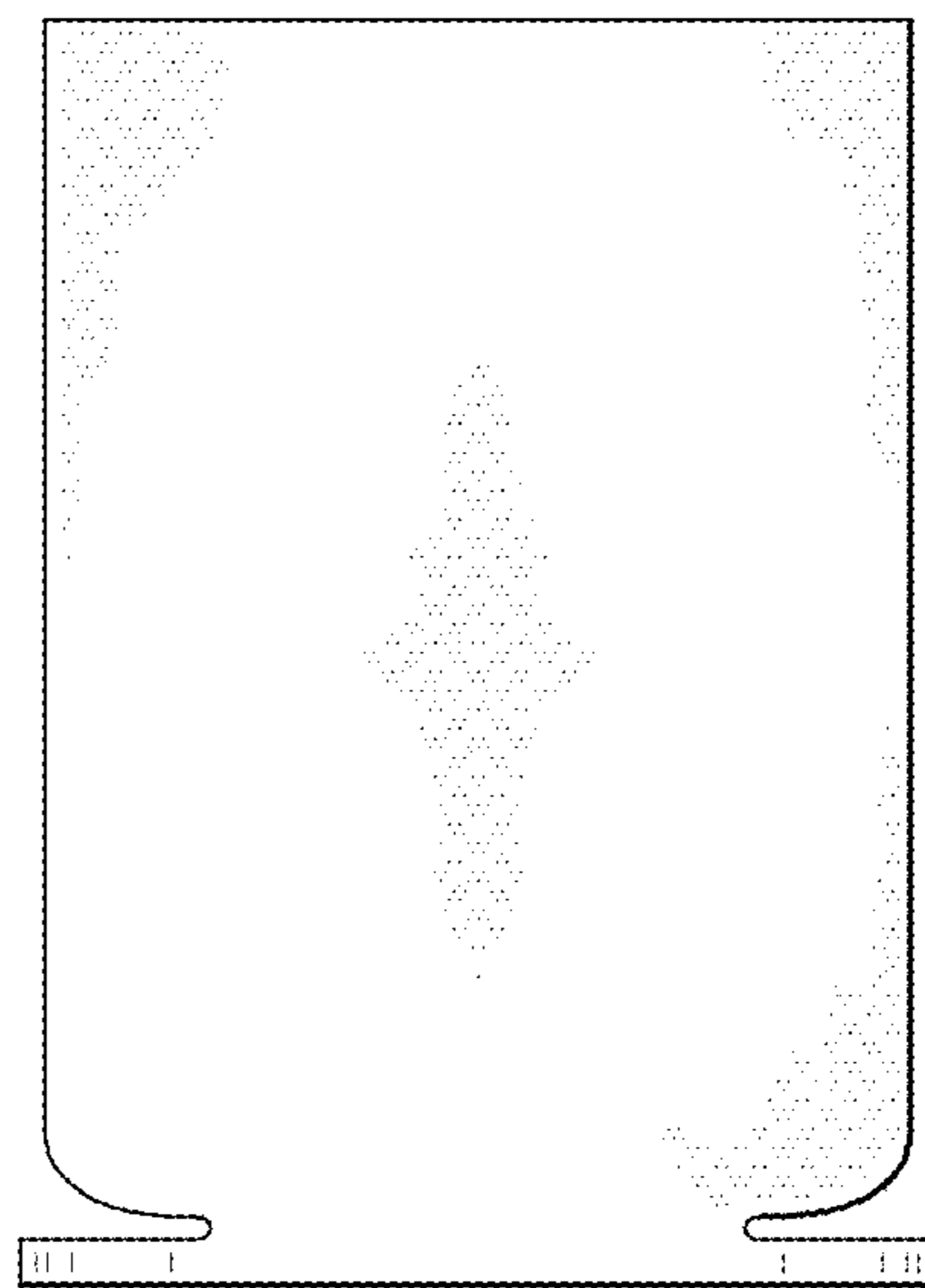


FIG. 3

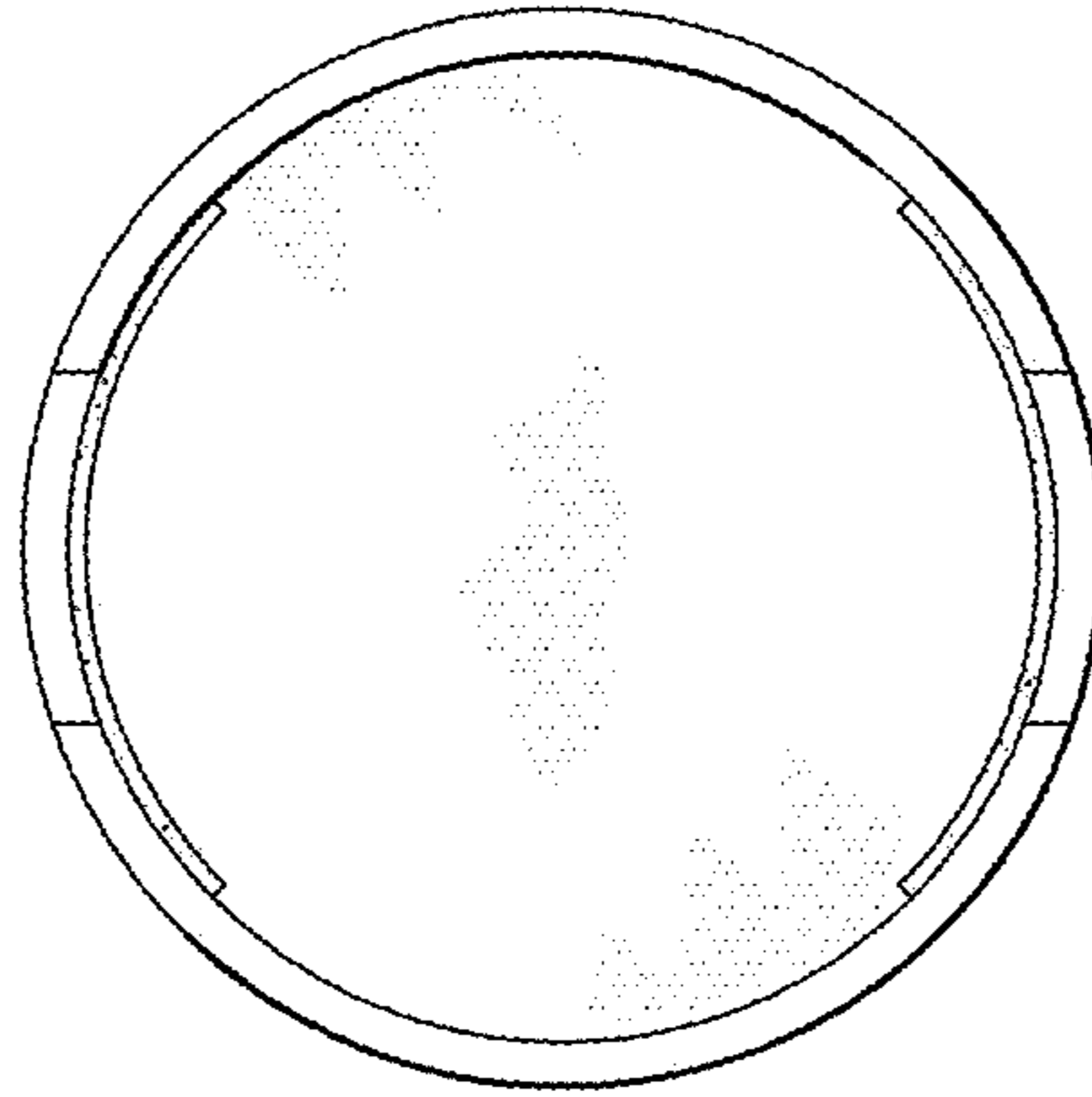


FIG. 4

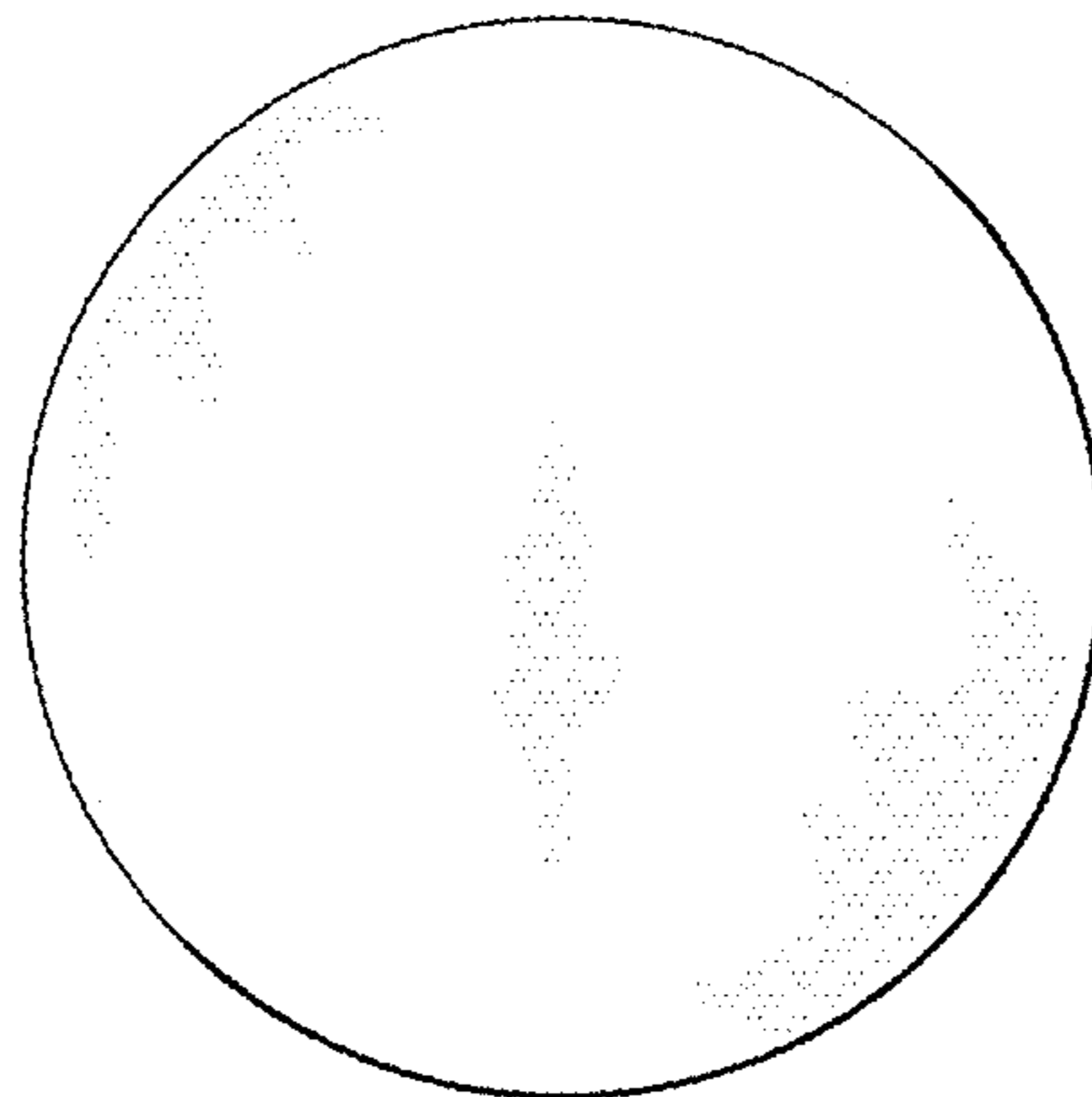


FIG. 5

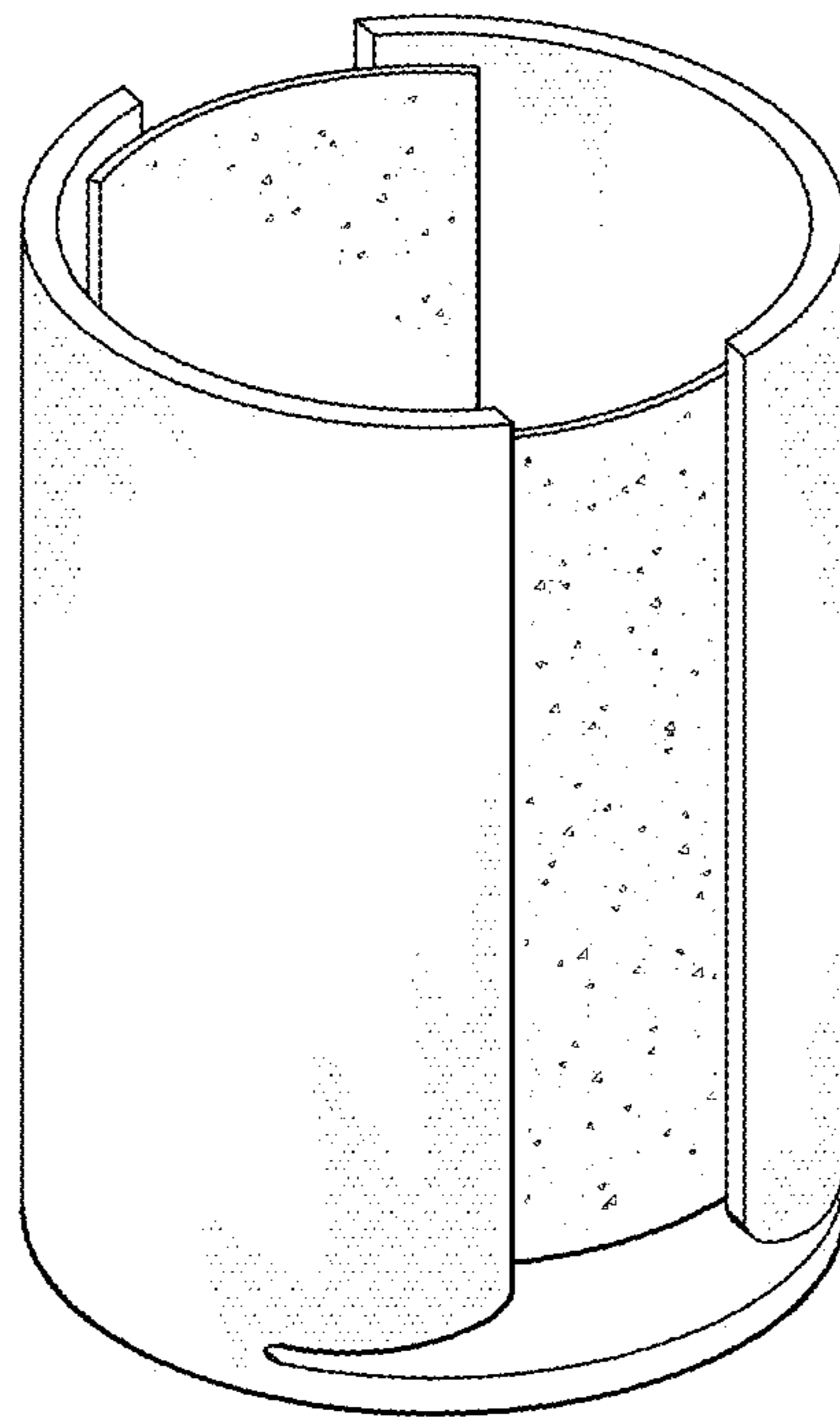


FIG. 6

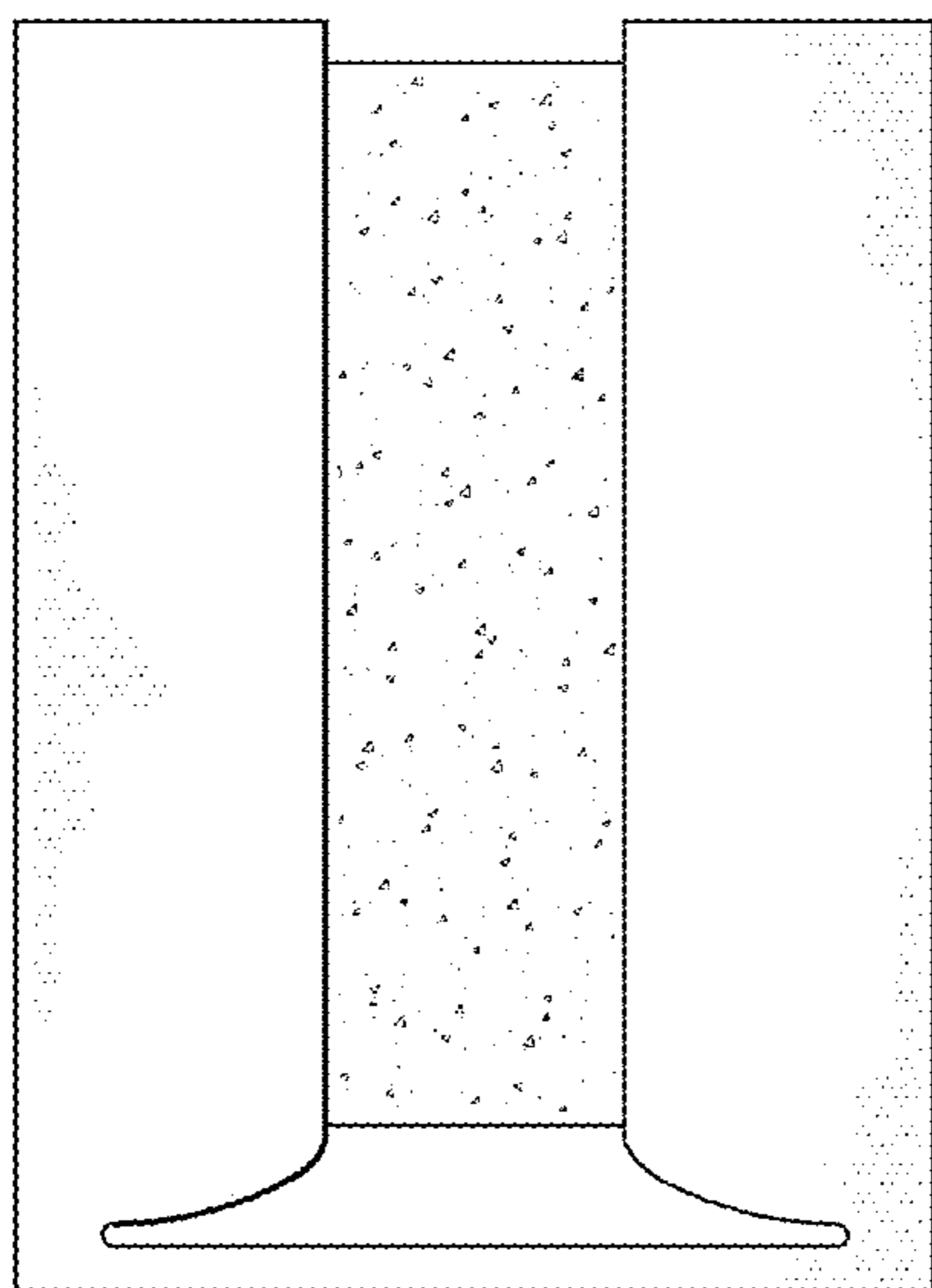


FIG. 7

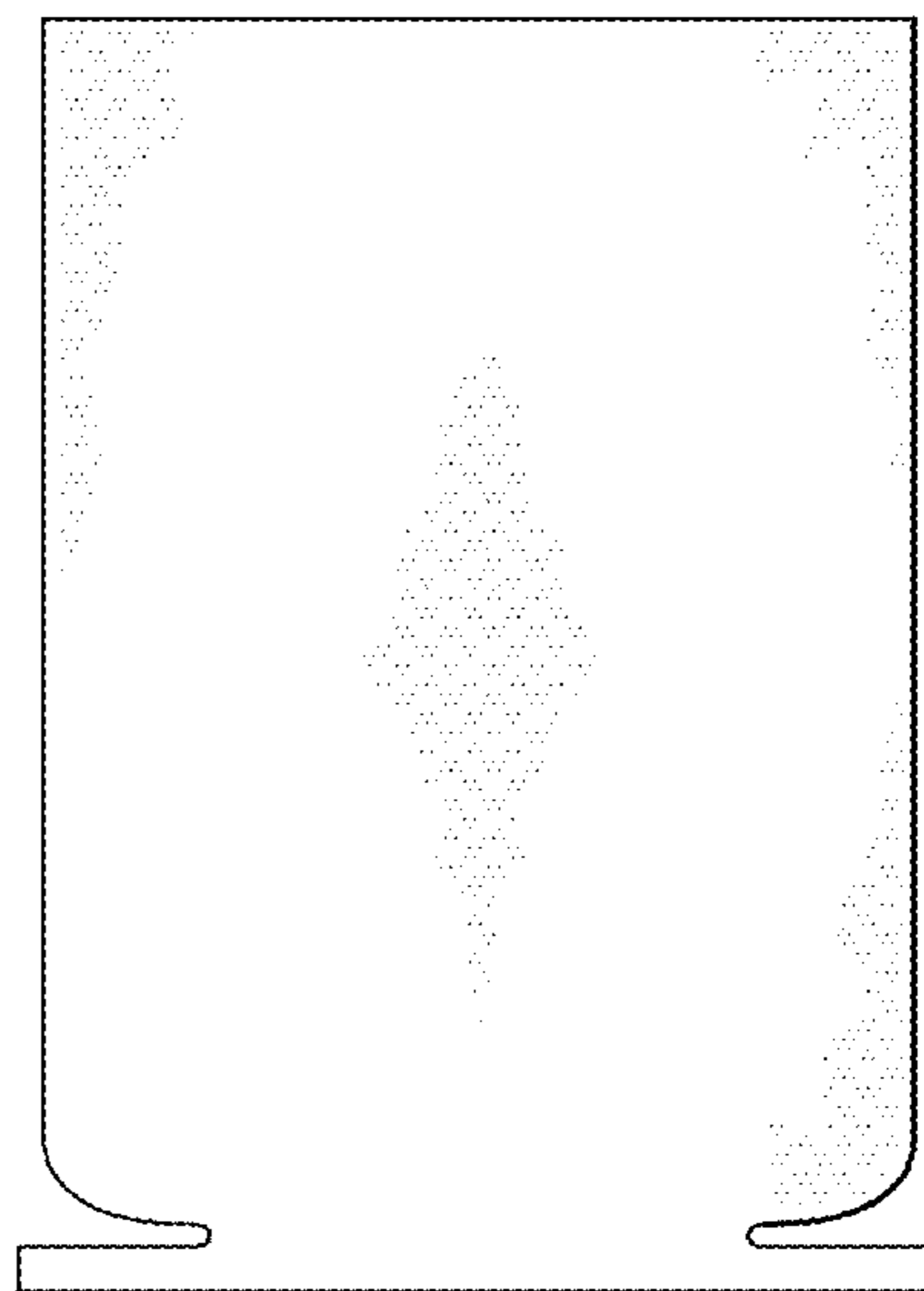


FIG. 8

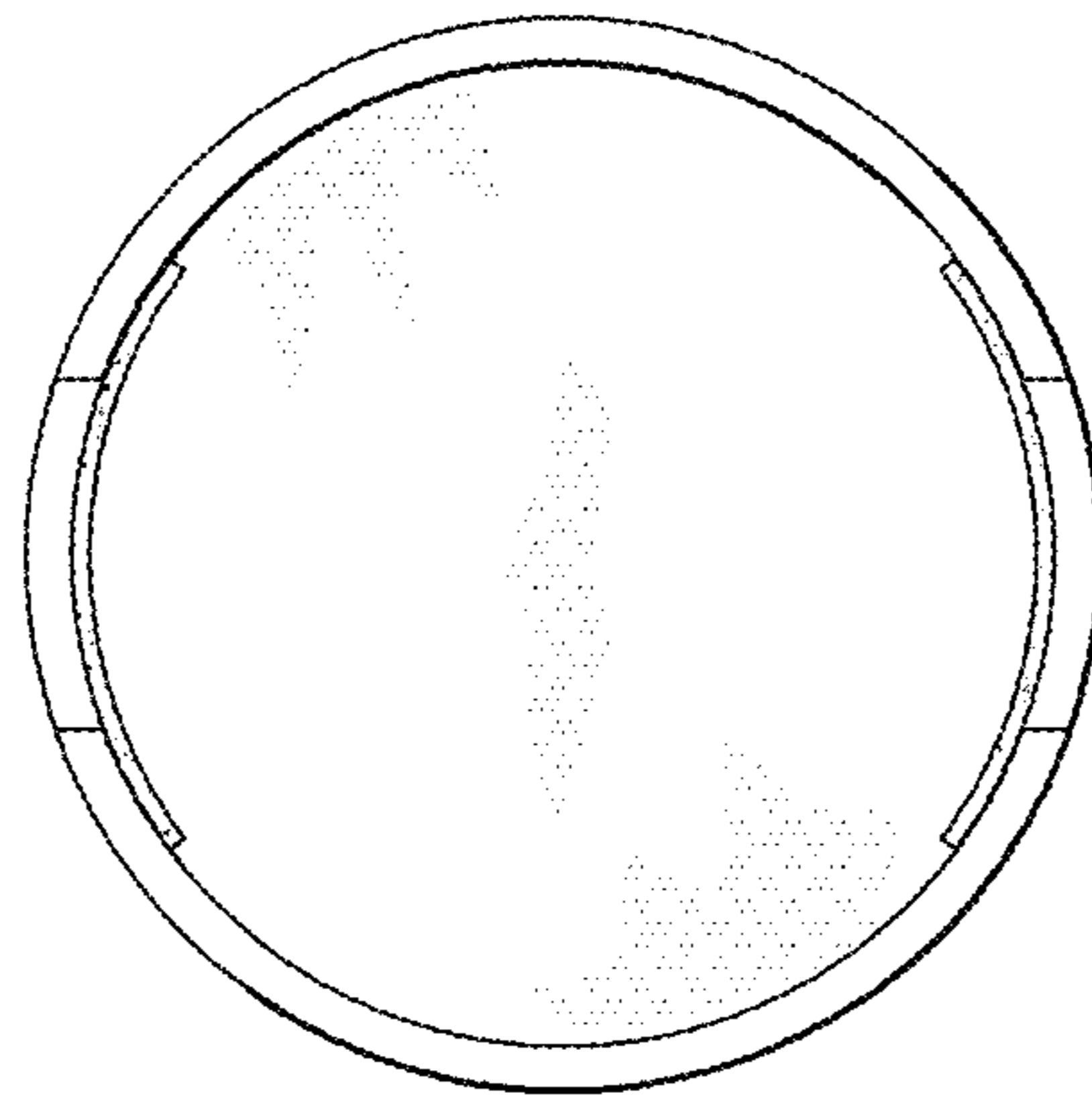


FIG. 9

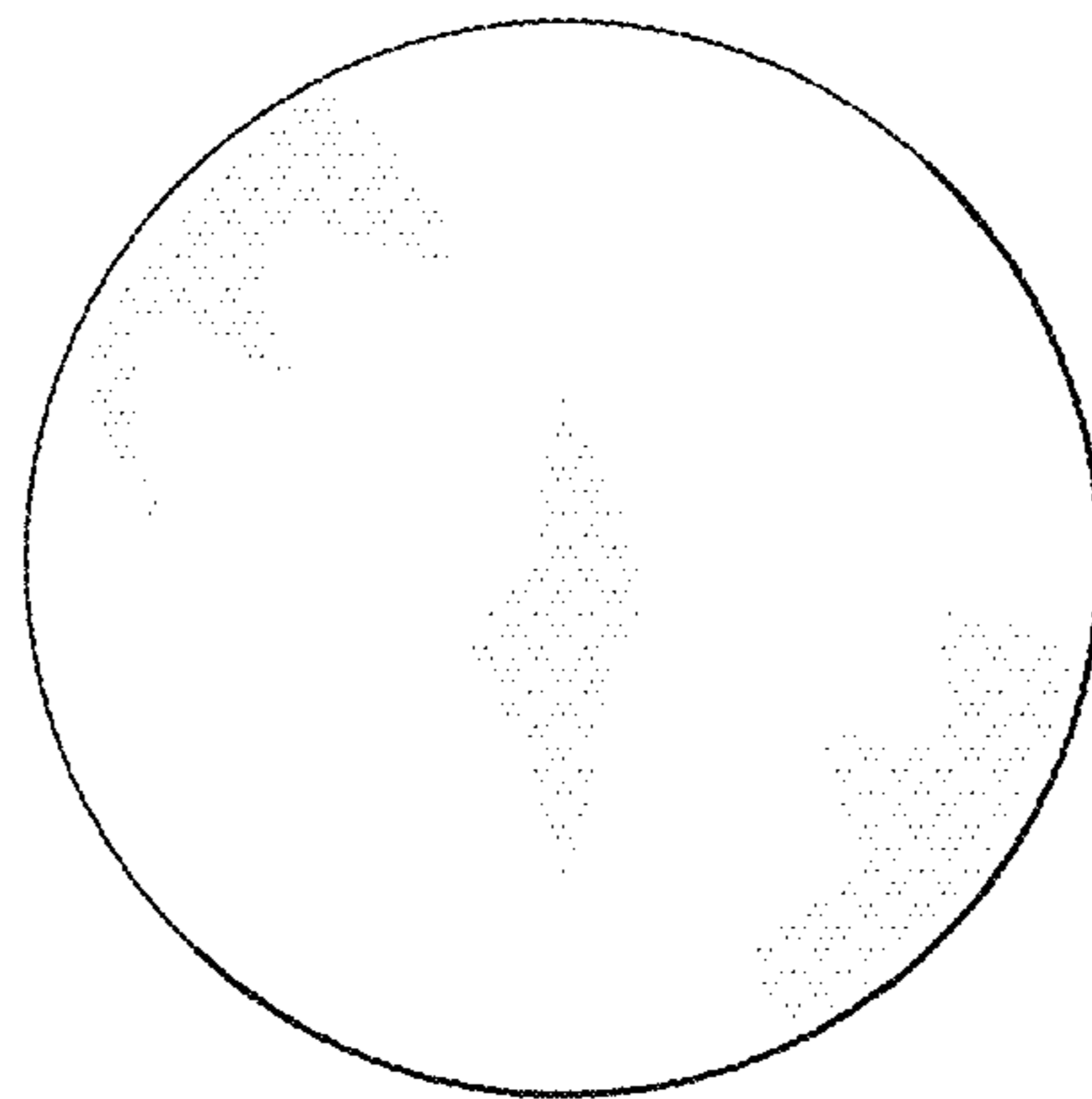


FIG. 10