



US00D929815S

(12) **United States Design Patent**
Nelson

(10) **Patent No.:** **US D929,815 S**

(45) **Date of Patent:** **** Sep. 7, 2021**

(54) **BEVERAGE HOLDER**

(71) Applicant: **Steven A. Nelson**, Lakeside Park, KY
(US)

(72) Inventor: **Steven A. Nelson**, Lakeside Park, KY
(US)

(**) Term: **15 Years**

(21) Appl. No.: **29/689,958**

(22) Filed: **May 3, 2019**

(51) **LOC (13) Cl.** **09-03**

(52) **U.S. Cl.**
USPC **D7/619.1**

(58) **Field of Classification Search**

USPC D7/500, 584, 602, 600.4, 601, 605, 607,
D7/608, 619.1, 620, 622, 624.1, 624.2,
D7/624.3, 701, 704, 600.1, 600.2, 590;
D3/306; D6/705, 677.1, 574, 571
CPC A47G 23/02; A47G 23/0216; A47G
23/0225; A47G 7/044; A47B 73/004;
A47F 7/021; B60N 3/103; B60N 3/102;
B01L 9/06

See application file for complete search history.

(56) **References Cited**

U.S. PATENT DOCUMENTS

D125,285 S *	2/1941	Ohlhaber	D7/619.1
3,939,986 A	2/1976	Pierro		
D244,302 S *	5/1977	Bradley	D27/104
D286,949 S *	12/1986	Hardman	224/197
D326,392 S *	5/1992	Mondry	D7/701
D408,229 S *	4/1999	Hong	D7/601
5,996,957 A	12/1999	Kurtz		
6,264,153 B1	7/2001	Ragner et al.		
8,146,614 B2	4/2012	Ford et al.		
8,636,319 B1	1/2014	Parker, Jr.		
D711,189 S *	8/2014	Everard	D7/300
9,399,479 B1	7/2016	Chen		
9,950,731 B2	4/2018	Kim et al.		
D823,071 S *	7/2018	Woods	A47G 23/0313 D7/624.1
D868,547 S *	12/2019	Moore	D7/620

OTHER PUBLICATIONS

Kruzer Kaddy—#200—Kruzer Kaddy, Chrome. Product listing [online]. Copyright © 1995-2019 eBay Inc., [retrieved on Oct. 15, 2018]. Retrieved from the Internet: <URL:https://www.ebay.com/p/Kruzer-Kaddy-200-Kruzer-Kaddy-Chrome/171223203?iid=123743496991&rt=nc>.

Ram Mounts—Level Cup Drink Holder and Koozie Bar Mount. Product listing [online]. Copyright © 2019 BTO Sports, [retrieved on Oct. 15, 2018]. Retrieved from the Internet: <URL:https://www.btosports.com/atv/ram-mounts-level-cup-drink-holder-and-koozie>.

Barefoot Willies Cup Holder All Bar Sizes + Goldwing Lifetime Guarantee,coozee. Product listing [online]. Copyright © 1995-2019 eBay Inc., [retrieved on Oct. 15, 2018]. Retrieved from the Internet: <URL:https://www.ebay.com/itm/Barefoot-Willies-Cup-Holder-All-Bar-Sizes-Goldwing-Lifetime-Guarantee-coozee-/282060102260>.

* cited by examiner

Primary Examiner — Karen S Acker

Assistant Examiner — Steven B Reinholdt, Jr.

(74) *Attorney, Agent, or Firm* — Cramer Patent & Design, PLLC.; Aaron R. Cramer

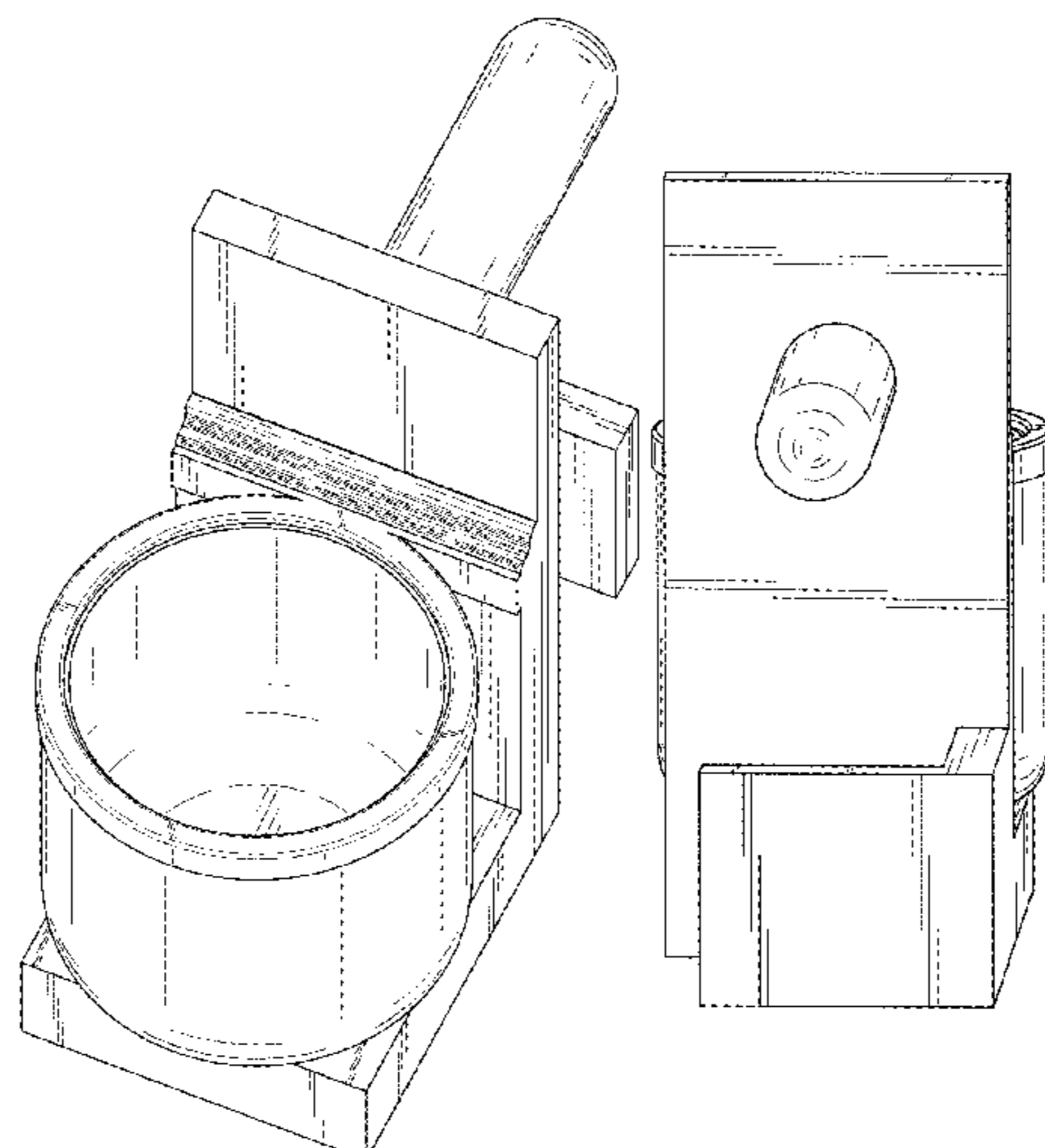
(57) **CLAIM**

The ornamental design for a beverage holder, as shown and described.

DESCRIPTION

FIG. 1 is a perspective top front right view of a beverage holder, showing my new design;
FIG. 2 is a perspective top rear left view of the beverage holder;
FIG. 3 is a front elevation view thereof;
FIG. 4 is a rear elevation view thereof;
FIG. 5 is a right elevation view thereof;
FIG. 6 is a left elevation view thereof;
FIG. 7 is a top plan view thereof; and,
FIG. 8 is a bottom plan view thereof.

1 Claim, 8 Drawing Sheets



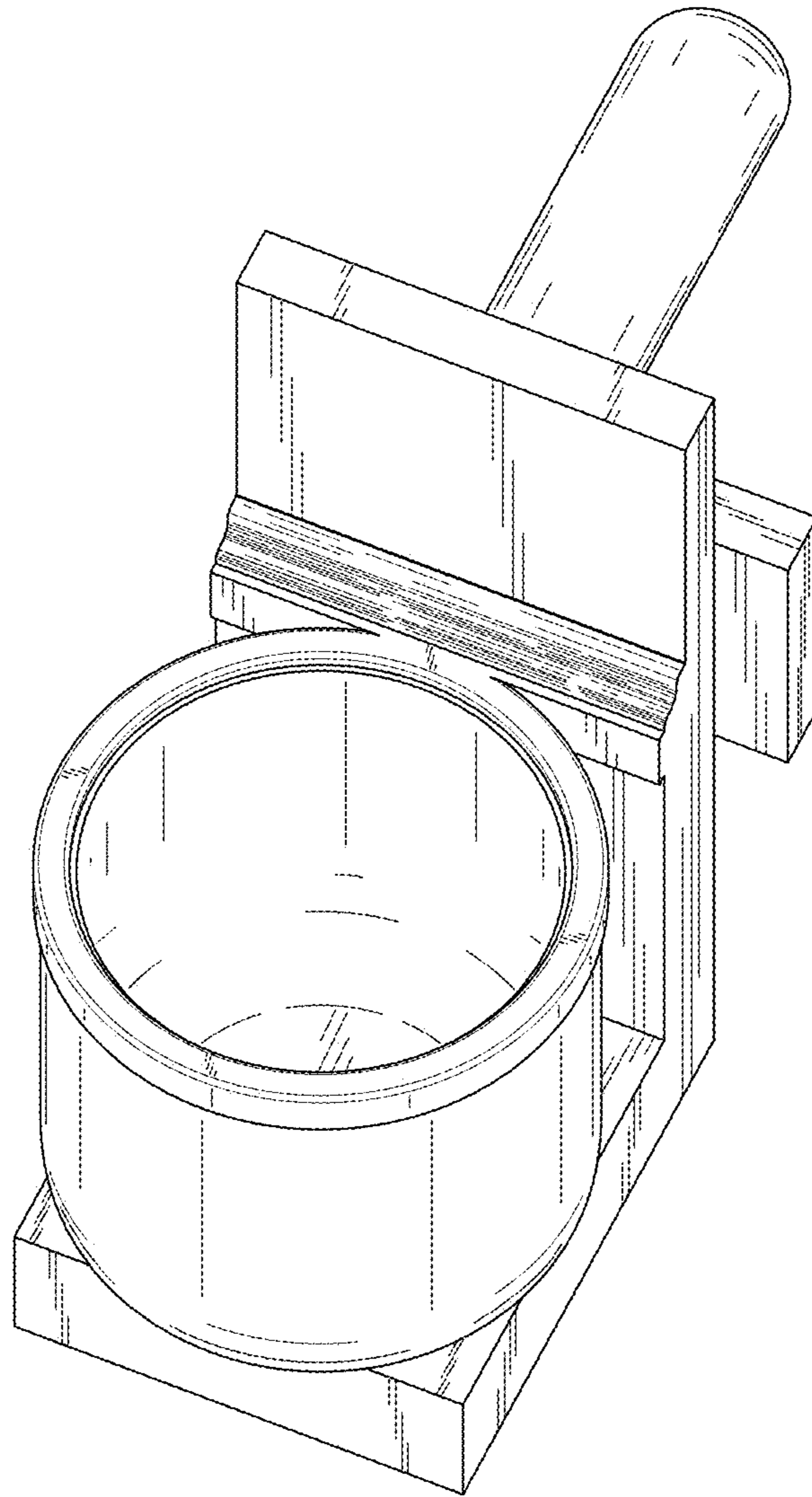


FIG. 1

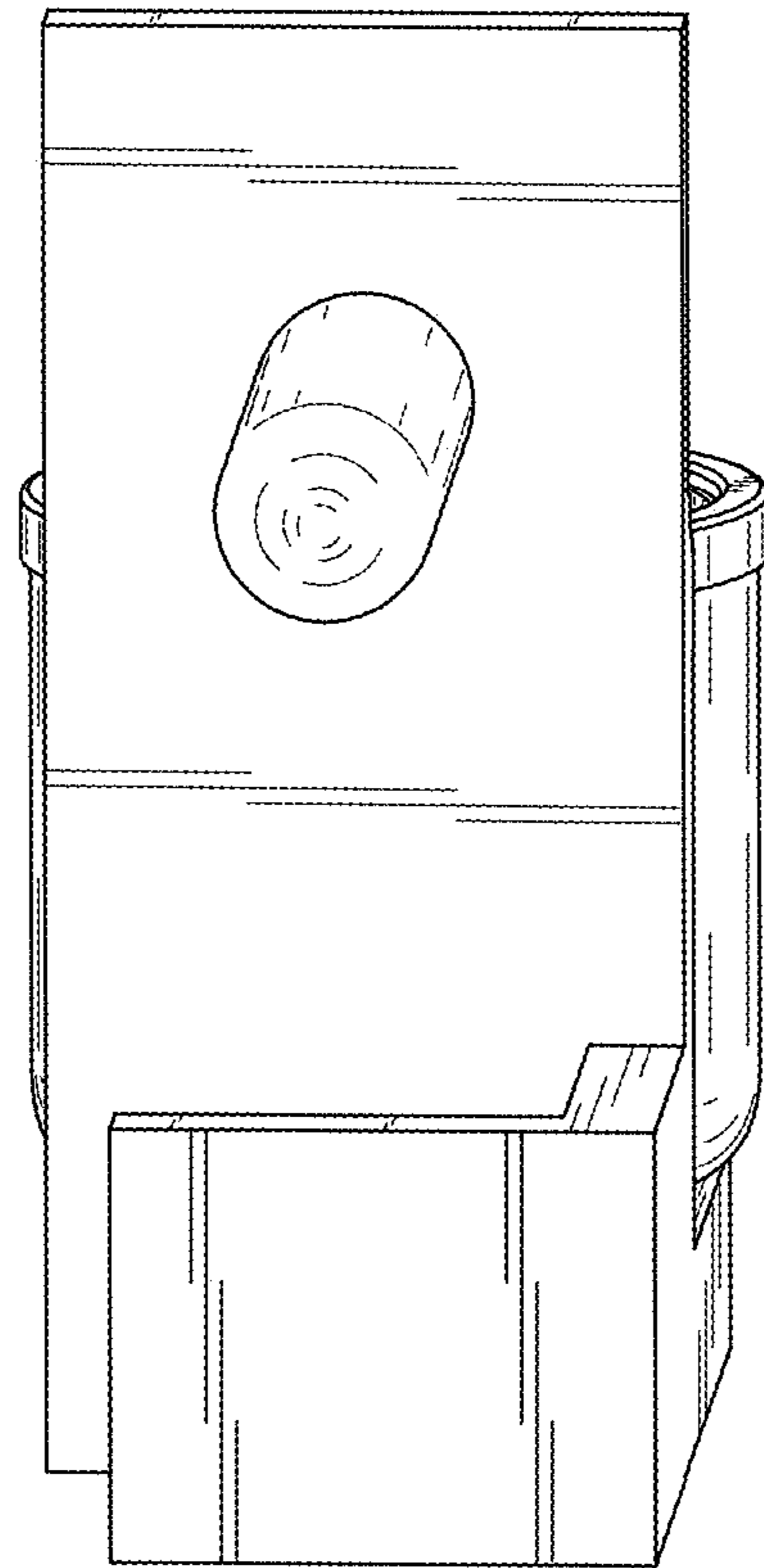


FIG. 2

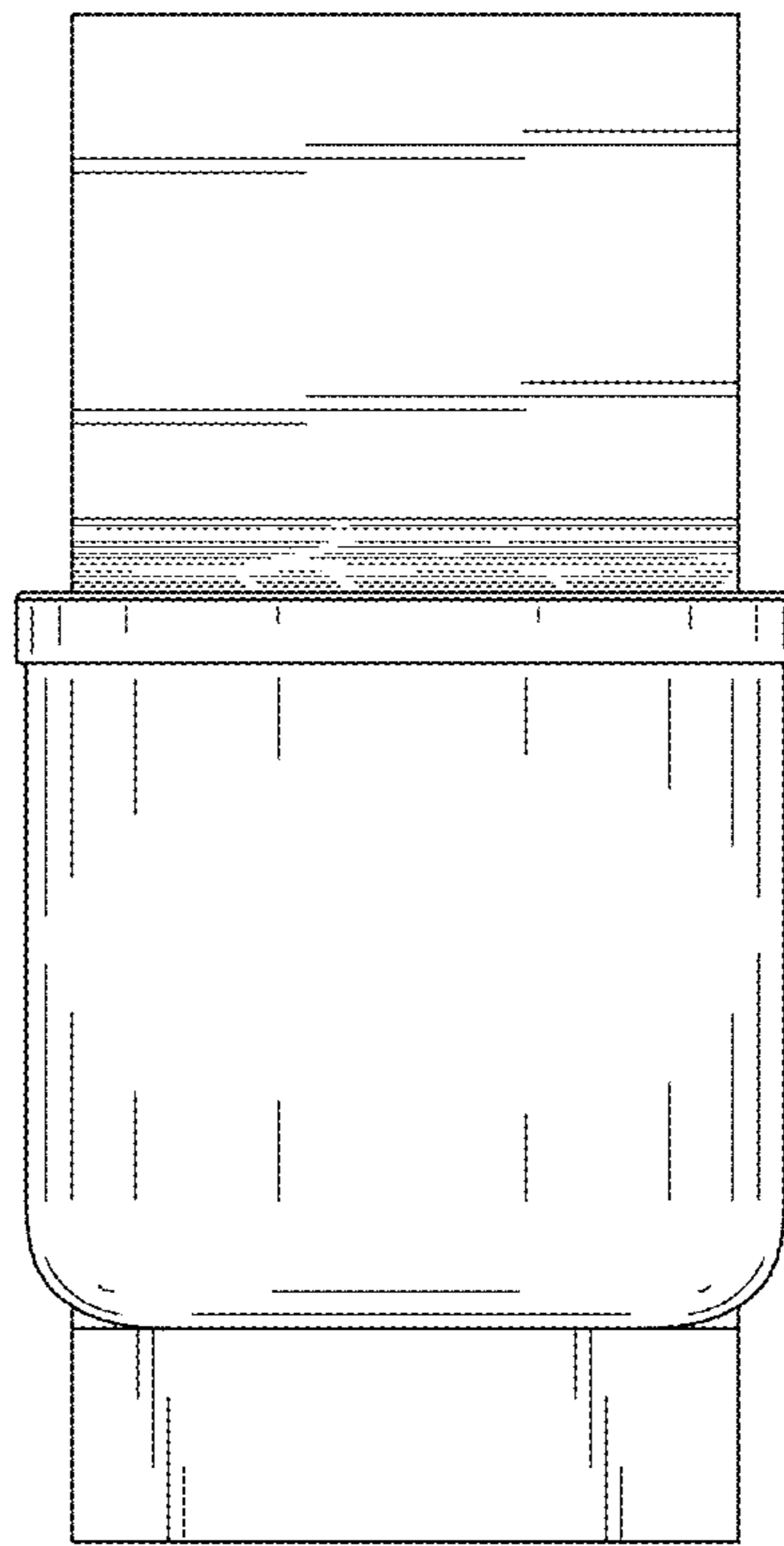


FIG. 3

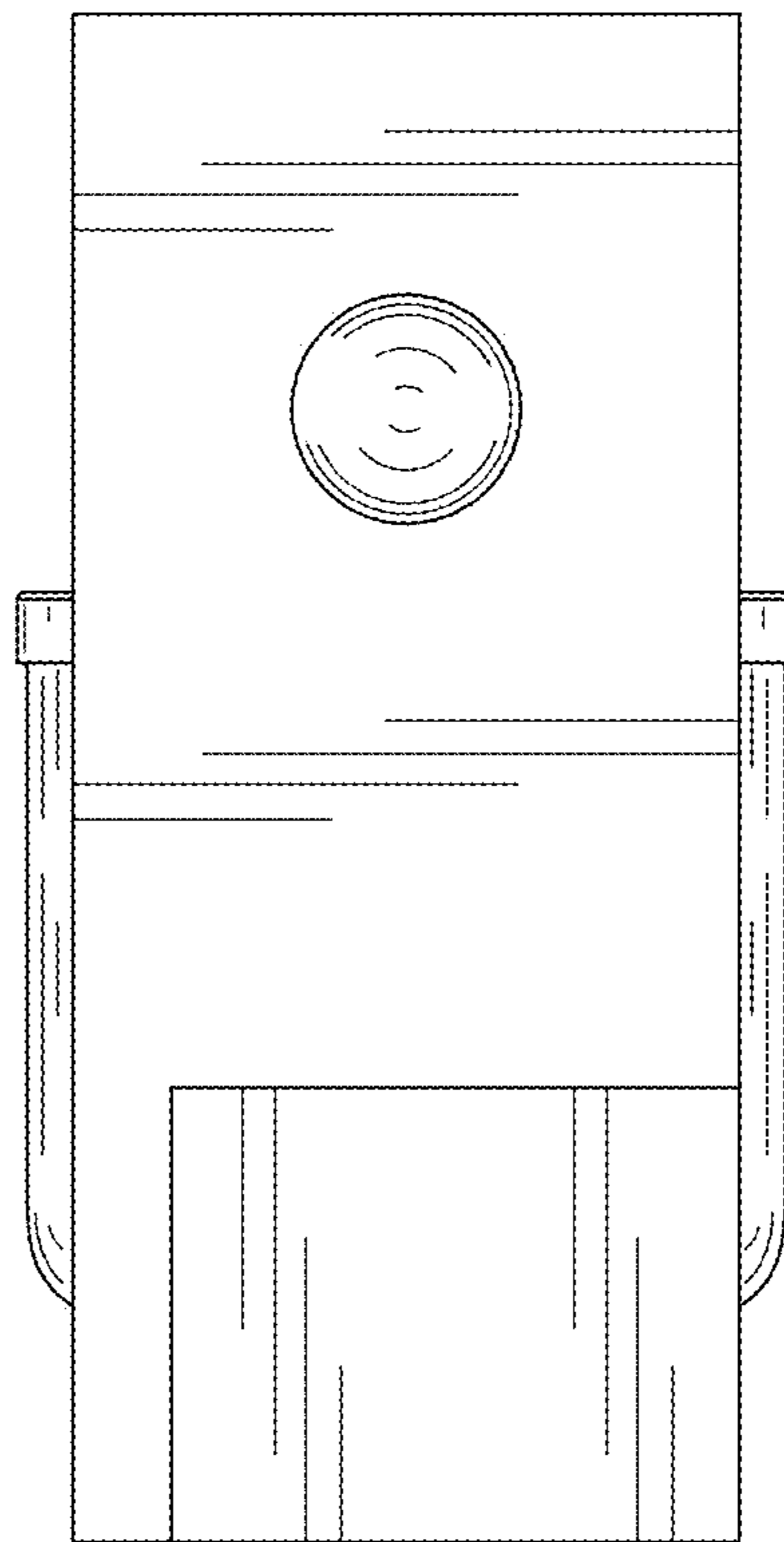


FIG. 4

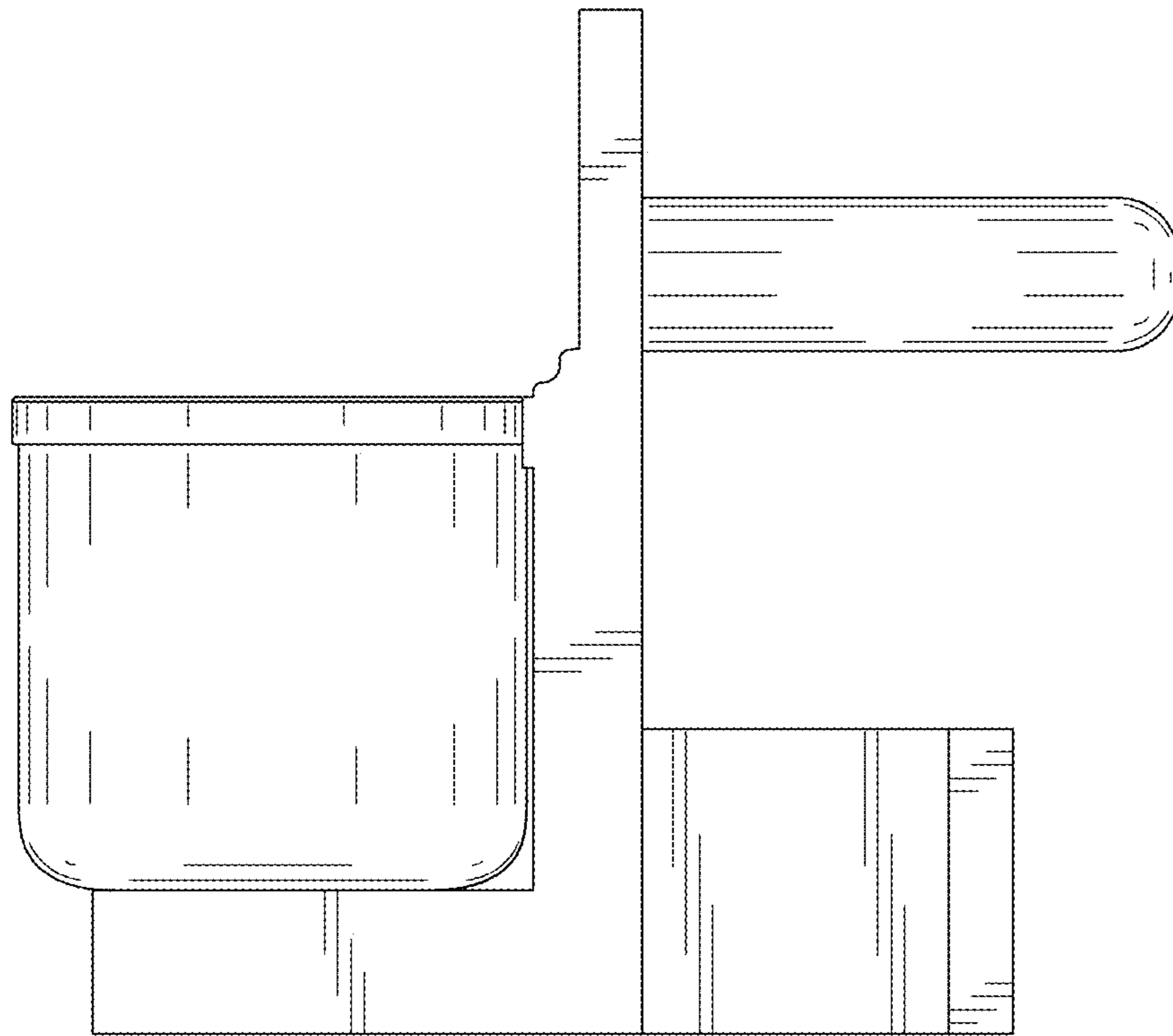


FIG. 5

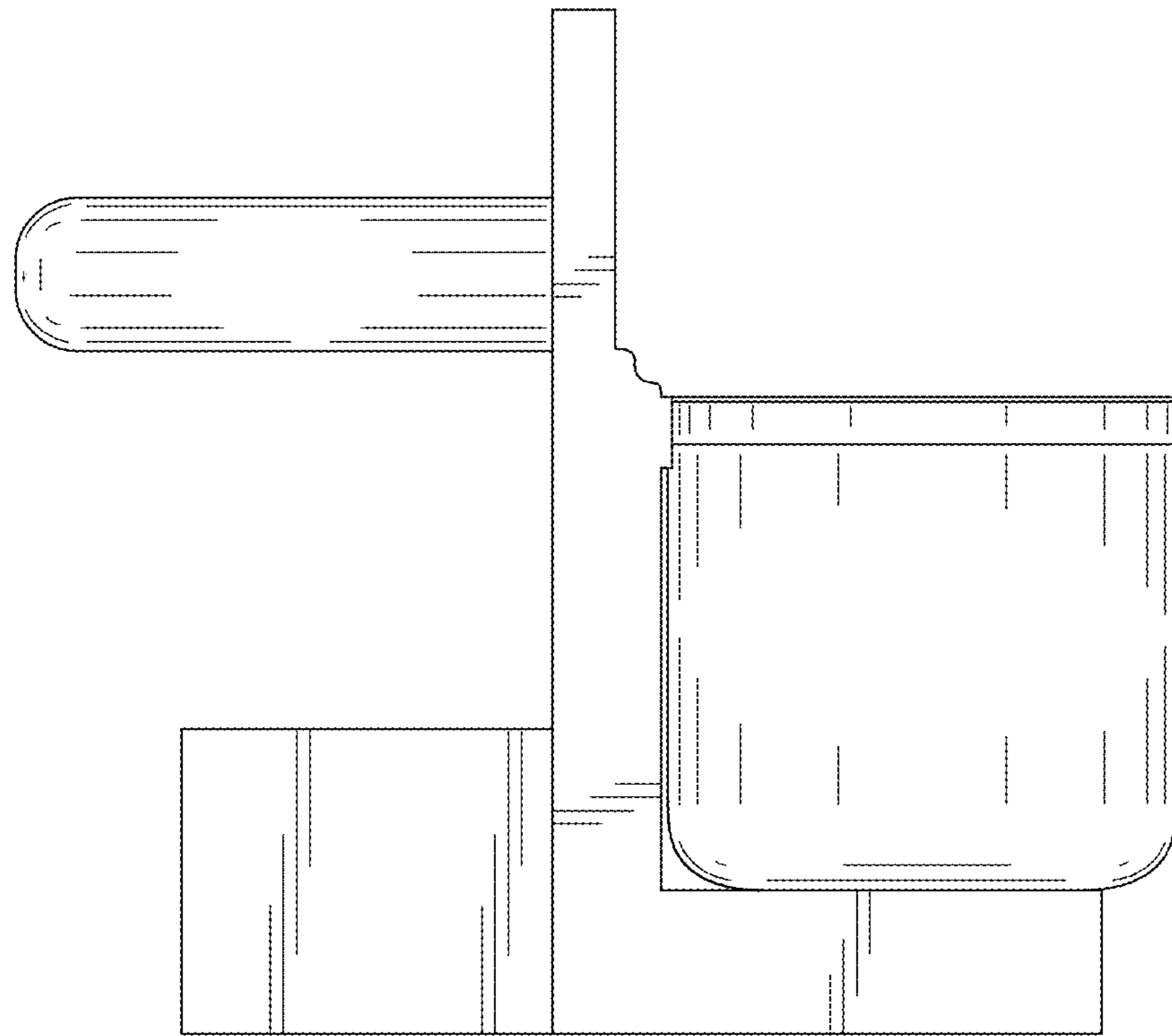


FIG. 6

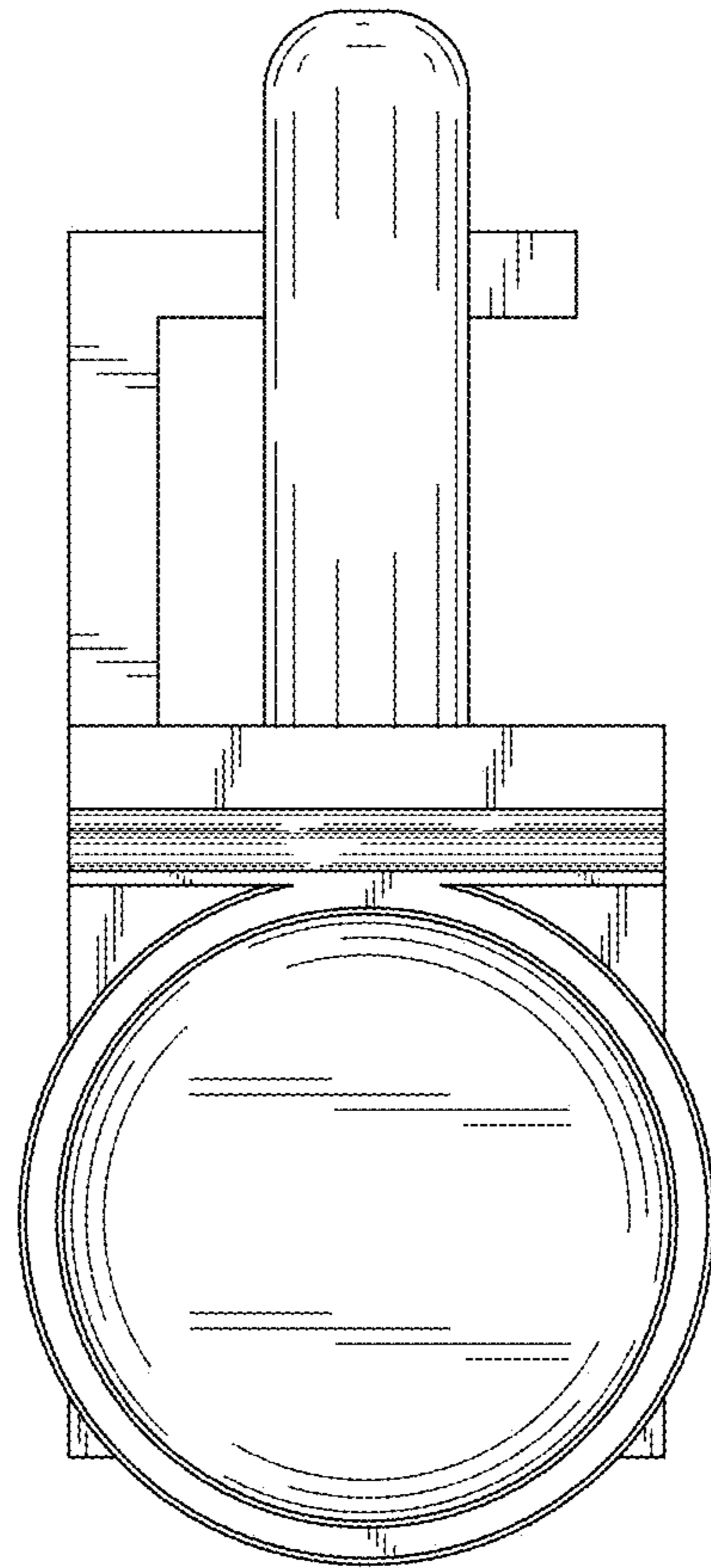


FIG. 7

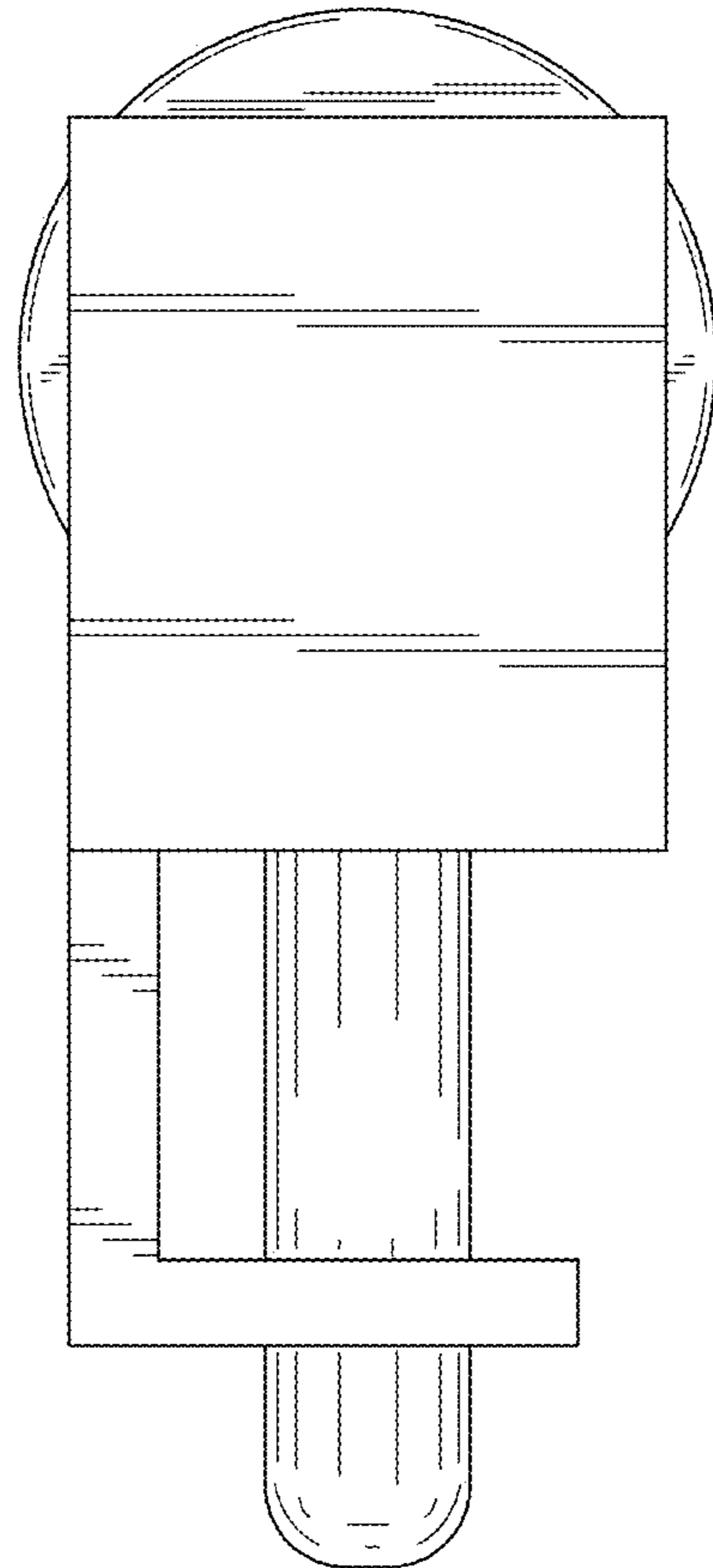


FIG. 8