



US00D929814S

(12) **United States Design Patent** (10) **Patent No.:** **US D929,814 S**
Nichols et al. (45) **Date of Patent:** **** Sep. 7, 2021**

(54) **CONTAINER ACCESSORIES**

FOREIGN PATENT DOCUMENTS

(71) Applicant: **YETI Coolers, LLC**, Austin, TX (US)

BE 1013040 A3 8/2001
BE 1016429 A3 10/2006

(72) Inventors: **Steve Charles Nichols**, Austin, TX (US); **Andy Bondhus**, Austin, TX (US); **Tobias Hotchkiss**, Austin, TX (US); **Mark Carlson Rane**, Austin, TX (US); **John Loudenslager**, Austin, TX (US); **Derek G. Sullivan**, Austin, TX (US)

(Continued)

OTHER PUBLICATIONS

(73) Assignee: **YETI Coolers, LLC**, Austin, TX (US)

Pelican Elite 50 Quart Cooler, available Nov. 9, 2016, [online], [site visited Mar. 31, 2018]. Available from internet, <URL: https://www.amazon.com/Pelican-Elite-Quart-Cooler-White/product-reviews/B01G7KG5PA/ref=cm_cr_getr_d_paging_btm_5?ie=UTF8&reviewerType=all_reviews&sortBy=recent&pageNumber=5> (Year:2016).

(**) Term: **15 Years**

(Continued)

(21) Appl. No.: **29/757,384**

Primary Examiner — Terry A Wallace

(22) Filed: **Nov. 5, 2020**

(74) *Attorney, Agent, or Firm* — Banner & Witcoff, Ltd.

(57) **CLAIM**

The ornamental design for container accessories, as shown and described.

Related U.S. Application Data

DESCRIPTION

(63) Continuation of application No. 29/673,074, filed on Dec. 11, 2018, now Pat. No. Des. 907,445.

(51) **LOC (13) Cl.** **07-01**

(52) **U.S. Cl.**
USPC **D7/605**; D3/308

(58) **Field of Classification Search**
USPC D7/605–607, 629, 630, 709, 710;
D3/272–274, 283, 289, 301, 304,
D3/307–314; D32/53

CPC A45C 11/20; A45C 3/00; A45C 2003/008;
F25D 2331/804; F25D 2331/801; F25D
3/08; F25D 3/02; F25D 3/04; F25D 3/06;

(Continued)

FIG. 1 is a top, front, left perspective view of container accessories showing our new design;
FIG. 2 is a top view thereof;
FIG. 3 is a top, front, left perspective view of a caddy accessory of container accessories showing our new design;
FIG. 4 is a bottom, rear, right perspective view thereof;
FIG. 5 is a front view thereof;
FIG. 6 is a rear view thereof;
FIG. 7 is a right side view thereof;
FIG. 8 is a left side view thereof;
FIG. 9 is a top view thereof; and,
FIG. 10 is a bottom view thereof.

(56) **References Cited**

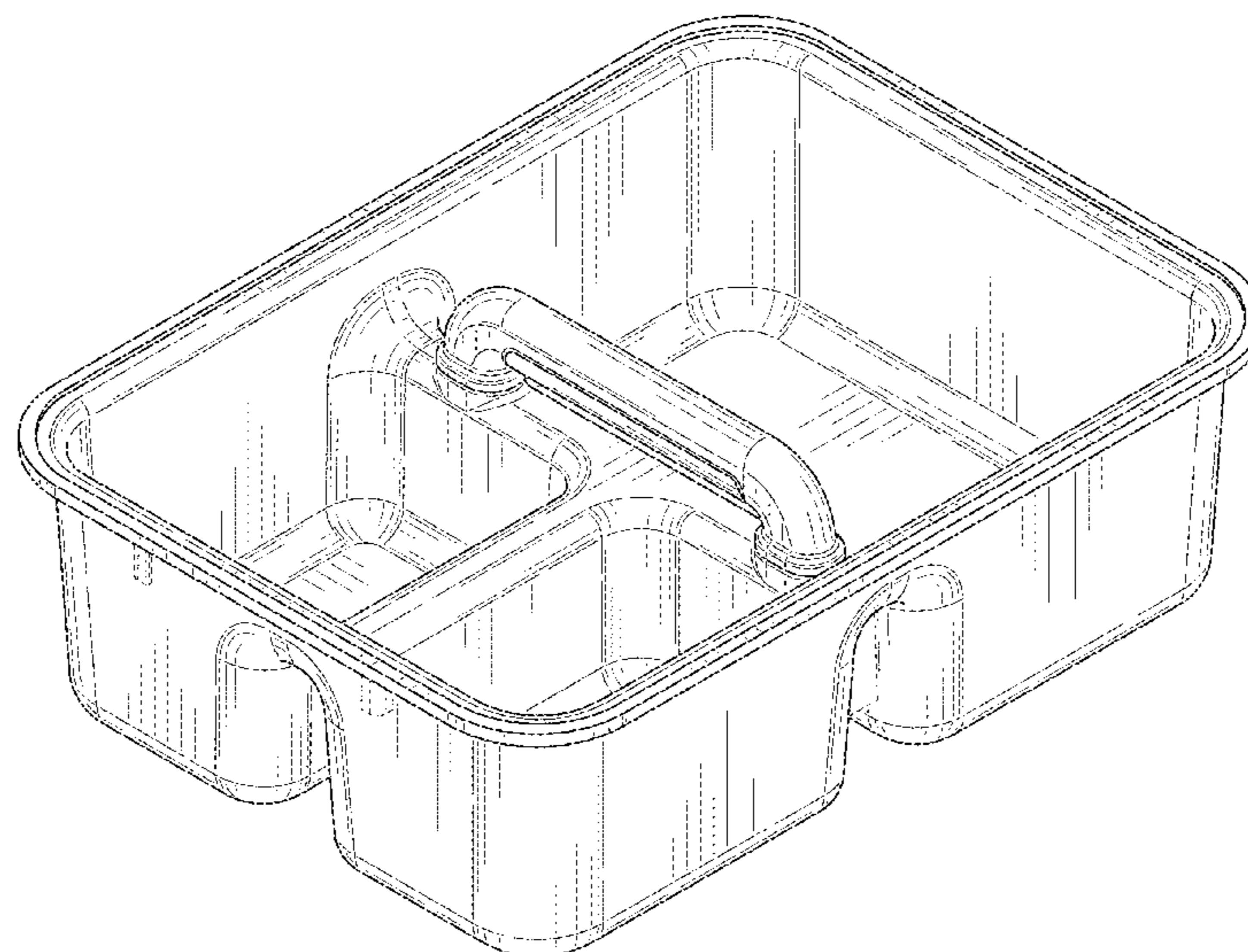
The broken lines immediately adjacent to the shaded area define the bounds of the claimed design and form no part thereof. The broken lines depicting the remainder of the container accessories show features that form no part of the claimed design.

U.S. PATENT DOCUMENTS

286,909 A 10/1883 Commander
1,008,041 A 11/1911 Leonard

(Continued)

1 Claim, 9 Drawing Sheets



(58) Field of Classification Search

CPC F25D 3/14; F25D 3/107; B65D 81/38;
 B65D 81/3813; B65D 81/3816; B65D
 81/3818; B65D 81/382; B65D 81/3823;
 B65D 81/3825; B65D 81/3827; B65D
 81/383; B65D 81/3832; B65D 81/3834;
 B65D 81/3848; B65D 81/3851; B65D
 81/3853; B65D 81/3855; B65D 81/3858;
 B65D 81/386; B65D 81/3862; B65D
 1/34; B65D 25/2891; B25H 3/00; B25H
 3/023; B25H 3/06; A47K 3/001; A47L
 13/51; B44D 3/04; B44D 3/125

See application file for complete search history.

4,465,189 A	8/1984	Molzan
4,476,988 A	10/1984	Tanner
4,509,622 A	4/1985	Morszeck
4,515,421 A	5/1985	Steffes
4,516,686 A	5/1985	Chaussepied
4,522,312 A	6/1985	Rathgeber et al.
4,523,692 A	6/1985	Lemkin
4,550,813 A	11/1985	Browning
4,561,526 A	12/1985	Winter et al.
4,573,202 A	2/1986	Lee
4,575,109 A	3/1986	Cowdery
4,592,482 A	6/1986	Seager
4,615,464 A	10/1986	Byms
4,662,188 A	5/1987	Hullihan
4,673,207 A	6/1987	Reynolds et al.
4,706,344 A	11/1987	Tanaka et al.
4,707,011 A	11/1987	McKim, Jr.
4,712,657 A	12/1987	Myers et al.
4,746,008 A	5/1988	Heverly et al.
4,768,815 A	9/1988	Harmon
4,775,072 A	10/1988	Lundblade et al.
4,792,024 A *	12/1988	Morton A45C 9/00 190/1

(56) References Cited

U.S. PATENT DOCUMENTS

1,056,648 A	3/1913	Earley		
2,101,337 A	12/1937	Komenak		
2,109,928 A	3/1938	Passalaqua		
2,439,660 A	4/1948	Keil		
2,472,491 A	6/1949	Quinton		
2,510,643 A	6/1950	Long		
2,565,939 A	8/1951	Wriston		
2,574,089 A	11/1951	Cochran		
2,577,951 A	12/1951	Cortsen		
2,581,417 A	1/1952	Jones		
2,604,961 A	7/1952	Koch		
2,647,653 A	8/1953	Dube		
2,717,093 A	9/1955	Mautner		
2,747,732 A	5/1956	Fischer		
2,803,956 A	8/1957	Womer		
2,931,205 A	4/1960	Schmitz		
2,936,189 A	5/1960	Pearson		
3,057,636 A	10/1962	D'Ettorre		
3,141,680 A	7/1964	McCord		
3,191,244 A	6/1965	Burke		
3,202,310 A	8/1965	Tibbets		
3,225,983 A	12/1965	Majka		
3,250,558 A	5/1966	McClintock		
3,259,412 A	7/1966	Wheeler		
3,416,701 A	12/1968	Kramer et al.		
3,432,025 A	3/1969	Luhe		
3,464,579 A	9/1969	Asenbauer		
3,565,305 A	2/1971	Belokin, Jr.		
3,642,168 A	2/1972	Wiley, Jr. et al.		
3,656,650 A	4/1972	Frater		
3,661,410 A	5/1972	Larson et al.		
3,688,942 A	9/1972	Mitchell et al.		
3,690,708 A	9/1972	Worley et al.		
3,741,433 A	6/1973	Bentley et al.		
3,847,423 A	11/1974	Gley		
3,861,504 A	1/1975	McGraw		
3,882,914 A	5/1975	Strutz		
3,886,625 A	6/1975	Rollband		
3,902,628 A	9/1975	Schurman		
3,915,362 A	10/1975	Hart		
3,917,038 A	11/1975	Foge et al.		
3,933,269 A	1/1976	Mastrovito		
3,955,656 A	5/1976	Kashinski		
3,987,829 A	10/1976	Leone		
3,991,921 A	11/1976	Hirsch		
4,094,392 A	6/1978	Gregg et al.		
4,095,711 A	6/1978	Conley		
4,116,479 A	9/1978	Poe		
4,143,442 A	3/1979	Harlang		
4,153,178 A	5/1979	Weavers		
D256,630 S	9/1980	Maney		
D257,218 S	10/1980	Eriksson		
4,249,760 A	2/1981	Conley		
4,254,850 A	3/1981	Knowles		
4,273,223 A	6/1981	Tomlinson		
4,343,412 A	8/1982	Wilcox et al.		
4,351,165 A	9/1982	Gottsegen et al.		
4,446,705 A	5/1984	Loucks		
4,802,344 A	2/1989	Livingston et al.		
4,805,272 A	2/1989	Yamaguchi		
4,826,060 A	5/1989	Hollingsworth		
4,858,444 A	8/1989	Scott		
4,873,841 A	10/1989	Bradshaw et al.		
4,899,904 A	2/1990	Dooley et al.		
4,904,007 A	2/1990	Woodruff		
4,917,261 A	4/1990	Borst		
4,928,800 A	5/1990	Green et al.		
4,930,649 A	6/1990	Moser		
4,975,073 A	12/1990	Weisman		
4,982,863 A	1/1991	Skillius		
5,011,013 A *	4/1991	Meisner B25H 3/023 206/373		
5,011,020 A	4/1991	Stevens et al.		
5,014,830 A	5/1991	Seynhaeve		
5,024,471 A	6/1991	Kahl et al.		
5,040,834 A	8/1991	Kahl et al.		
5,044,513 A	9/1991	Van Beme		
5,062,557 A	11/1991	Mahvi et al.		
5,075,925 A	12/1991	Maloney		
5,080,250 A	1/1992	Dickinson et al.		
5,096,030 A	3/1992	Espinosa et al.		
5,101,541 A	4/1992	Watanabe		
5,111,920 A	5/1992	Castelli et al.		
D327,427 S	6/1992	McCooley		
5,117,952 A	6/1992	Suh		
D328,186 S	7/1992	Hanke		
5,139,294 A	8/1992	Ward et al.		
D329,135 S *	9/1992	Embree D3/308		
5,153,561 A	10/1992	Johnson		
5,165,583 A	11/1992	Kouwenberg		
5,167,433 A	12/1992	Ryan		
5,169,018 A	12/1992	Fiore		
D333,775 S	3/1993	Krape		
D334,870 S	4/1993	Griffin		
D335,030 S	4/1993	Alfonso		
5,205,413 A	4/1993	Cautereels et al.		
5,213,381 A	5/1993	Anderson		
5,216,905 A	6/1993	Sersch et al.		
5,235,830 A	8/1993	Benge		
D340,167 S	10/1993	Kahl		
D342,609 S	12/1993	Brightbill		
5,269,157 A	12/1993	Ciminelli et al.		
5,282,706 A	2/1994	Anthony et al.		
5,313,817 A	5/1994	Meinders		
D347,971 S	6/1994	Krugman		
5,319,937 A	6/1994	Fritsch et al.		
5,322,178 A	6/1994	Foos		
5,335,451 A	8/1994	Druzynski		
D351,533 S	10/1994	Lynam, Jr.		
5,353,946 A	10/1994	Behrend		
5,358,082 A	10/1994	Armstrong, IV		
5,373,708 A	12/1994	Dumoulin, Jr.		
D355,568 S	2/1995	Paulin et al.		
5,390,811 A	2/1995	Ogino et al.		

(56)

References Cited

U.S. PATENT DOCUMENTS

5,402,557 A	4/1995	Dalen	5,924,303 A	7/1999	Hodosh
D358,765 S	5/1995	Dickinson et al.	5,933,929 A	8/1999	Kawakami et al.
5,419,432 A	5/1995	Ingram	5,934,716 A	8/1999	Koveal et al.
5,423,644 A	6/1995	First, Sr.	5,940,940 A	8/1999	Tanikoshi et al.
5,427,308 A	6/1995	Swift et al.	5,950,368 A	9/1999	Bradford
D359,836 S	7/1995	Shuler	5,956,805 A	9/1999	Huang
5,431,263 A	7/1995	Nordstrom	5,957,321 A	9/1999	Jones
5,435,256 A	7/1995	Svehaug	D414,673 S	10/1999	Dickinson et al.
D361,888 S	9/1995	Kahl et al.	5,971,218 A	10/1999	Le
5,454,477 A	10/1995	Bornhorst et al.	5,975,334 A	11/1999	Mayo
D364,426 S	11/1995	Bucaccio	5,984,064 A	11/1999	Byington
5,465,985 A	11/1995	Devan et al.	5,984,326 A	11/1999	Abraham et al.
5,478,097 A	12/1995	Forma	5,984,382 A	11/1999	Bourne et al.
D367,360 S	2/1996	Wolff	5,988,658 A	11/1999	Ritchie et al.
D368,161 S	3/1996	Miller	6,015,072 A	1/2000	Young
D369,342 S	4/1996	Williams	D419,767 S	2/2000	Richardson et al.
D369,695 S	5/1996	Imotani	D419,768 S	2/2000	Richardson et al.
5,518,139 A	5/1996	Trower et al.	D420,221 S *	2/2000	Williams D3/315
5,519,919 A	5/1996	Lee	6,047,976 A	4/2000	Wang
D370,619 S	6/1996	Hall et al.	6,050,373 A	4/2000	Wonka et al.
D371,051 S	6/1996	Melk	6,079,083 A	6/2000	Akashi
D371,052 S	6/1996	Melk	6,079,754 A	6/2000	Alexy
5,524,737 A	6/1996	Wang	D427,882 S	7/2000	Wytcherley et al.
5,526,953 A	6/1996	Chieng	D428,698 S	8/2000	Cheng
D371,724 S	7/1996	Melk	6,105,767 A	8/2000	Vasudeva
D371,942 S	7/1996	Lippincott et al.	6,129,231 A	10/2000	Hsiao et al.
5,533,231 A	7/1996	Bai	6,135,253 A	10/2000	Weissman et al.
D373,514 S	9/1996	Melk	6,152,501 A	11/2000	Magi et al.
D373,515 S	9/1996	Melk	D435,780 S	1/2001	Tieu
5,564,805 A	10/1996	Dickinson	6,167,994 B1	1/2001	Kuo et al.
5,568,848 A	10/1996	Liang	6,170,122 B1	1/2001	Kuo
5,570,915 A	11/1996	Asadurian	6,176,499 B1	1/2001	Conrado et al.
5,575,362 A	11/1996	Franklin et al.	6,176,559 B1	1/2001	Tiramani et al.
5,603,545 A	2/1997	Benson et al.	6,179,176 B1	1/2001	Saggese et al.
5,620,212 A	4/1997	Bourne et al.	D441,954 S	5/2001	Parker
5,620,213 A	4/1997	Ellis	6,234,287 B1	5/2001	Pfeiffer
5,626,373 A	5/1997	Chambers et al.	6,244,064 B1	6/2001	Powell et al.
5,630,630 A	5/1997	Price et al.	6,244,066 B1	6/2001	LaRose
D380,369 S	7/1997	Antonucci	6,244,458 B1	6/2001	Frysinger et al.
D381,512 S	7/1997	Green	6,247,203 B1	6/2001	Kuo
D381,562 S *	7/1997	Westcott D3/309	6,247,328 B1	6/2001	Mogil
D381,871 S	8/1997	Melk	6,260,240 B1	7/2001	Akashi et al.
D382,114 S	8/1997	Dickinson et al.	6,279,971 B1	8/2001	Dessenberger, Jr.
D383,306 S	9/1997	Pennoyer	6,289,554 B1	9/2001	Wang
D383,603 S	9/1997	Pedlar	6,289,684 B1	9/2001	Guidry, II et al.
5,662,223 A	9/1997	Sylegård	D449,163 S	10/2001	Dahlen et al.
5,683,097 A	11/1997	Fenton et al.	6,305,185 B1	10/2001	Sloan
5,688,001 A	11/1997	Klein et al.	D451,278 S	12/2001	Cooper
D387,249 S	12/1997	Mogil	6,343,815 B1	2/2002	Poe
D387,558 S	12/1997	Mann et al.	D454,292 S	3/2002	Plummer et al.
D387,626 S	12/1997	Melk	6,353,978 B1	3/2002	Kawahara et al.
5,704,158 A	1/1998	Whiteaker	6,357,080 B1	3/2002	Tsai
5,718,350 A	2/1998	Williams	6,360,400 B1	3/2002	Chang
D392,510 S	3/1998	Perez	6,363,739 B1	4/2002	Hodosh et al.
5,727,844 A	3/1998	O'Quinn et al.	6,367,602 B1	4/2002	Chang
5,732,987 A	3/1998	Wright et al.	6,371,320 B2	4/2002	Sagol
5,755,311 A	5/1998	Younessian et al.	6,371,346 B1	4/2002	Sharma
5,762,242 A	6/1998	Yost	6,375,237 B1	4/2002	Koenig
5,762,411 A	6/1998	Yemini	D457,725 S	5/2002	Parsons
5,769,194 A	6/1998	Chang	6,389,645 B1	5/2002	Polidoro
5,797,488 A	8/1998	Yemini	6,398,272 B1	6/2002	Plummer et al.
5,803,472 A	9/1998	Lien	6,401,308 B1	6/2002	Kawahara
5,813,503 A	9/1998	Chang	6,422,386 B1	7/2002	Wiese et al.
5,816,185 A	10/1998	Ruthrford	6,427,475 B1	8/2002	DeFelice et al.
5,826,718 A	10/1998	Ahem, Jr. et al.	6,427,501 B2	8/2002	Ramsauer
5,826,770 A	10/1998	Chuang	D462,519 S	9/2002	Gaydos et al.
5,839,553 A	11/1998	Dorsam	6,446,382 B1	9/2002	Cloutier et al.
5,860,281 A	1/1999	Coffee et al.	6,446,988 B1	9/2002	Kho
5,865,281 A	2/1999	Wang	D464,485 S	10/2002	Sward et al.
5,875,948 A	3/1999	Sadler	6,467,779 B1	10/2002	Mills
5,887,745 A	3/1999	Wood	6,478,463 B2	11/2002	Snider
5,896,962 A	4/1999	Smith et al.	6,481,239 B2	11/2002	Hodosh et al.
5,901,571 A	5/1999	Whaley	D466,439 S	12/2002	Wagner et al.
5,904,269 A	5/1999	Wolff	D467,424 S	12/2002	Hardigg et al.
D410,387 S	6/1999	Jacques	D467,425 S	12/2002	Hardigg et al.
			D467,426 S	12/2002	Hardigg et al.
			6,497,311 B2	12/2002	Tiramani et al.
			6,497,438 B1	12/2002	Holub et al.
			6,499,574 B1	12/2002	Anthony

(56)

References Cited

U.S. PATENT DOCUMENTS

6,502,677 B1	1/2003	Tiramani et al.	7,162,890 B2	1/2007	Mogil et al.	
6,508,389 B1	1/2003	Ripoyla et al.	D537,251 S *	2/2007	Musgrove	D3/201
6,520,514 B2	2/2003	Clegg	7,171,731 B1	2/2007	Borcherding	
D471,711 S	3/2003	Addison	D539,543 S	4/2007	Wu	
6,527,309 B1	3/2003	Gaydos et al.	D540,540 S	4/2007	Szyf et al.	
6,532,624 B1	3/2003	Yang	D540,651 S	4/2007	Wolf, V	
D472,431 S	4/2003	Spence, Jr.	D540,652 S	4/2007	Wolf, V	
6,543,096 B2	4/2003	Settelmayer et al.	D544,211 S	6/2007	Herzberg	
6,547,218 B2	4/2003	Landy	7,237,660 B2	7/2007	Wu	
6,547,289 B1	4/2003	Greenheck et al.	7,246,704 B2	7/2007	Brunson et al.	
6,550,592 B1	4/2003	Godshaw et al.	7,246,718 B2	7/2007	Einav et al.	
6,554,327 B1	4/2003	Riley	D552,352 S	10/2007	Lin	
D474,649 S	5/2003	Spence, Jr.	7,284,393 B1 *	10/2007	Macmillan	B62B 1/22 62/457.7
6,574,983 B2	6/2003	Smith et al.	7,284,763 B1	10/2007	King	
6,585,090 B2	7/2003	Harvey	D555,902 S	11/2007	Pendergraph et al.	
D477,916 S	8/2003	Nykoluk	7,296,434 B2	11/2007	Scroggs	
D478,782 S	8/2003	Li	7,306,243 B2	12/2007	Van Horn et al.	
6,612,411 B2	9/2003	Nykoluk et al.	7,309,106 B2	12/2007	Stallman	
6,619,448 B1	9/2003	Wang	D562,646 S	2/2008	Lown et al.	
D481,293 S	10/2003	Ayrest	7,334,680 B2	2/2008	Cunningham et al.	
6,637,077 B2	10/2003	Doty	7,334,802 B2	2/2008	Kaplan	
6,637,562 B2	10/2003	Oh	D563,101 S	3/2008	Kuchler	
D482,593 S	11/2003	Wolf	7,344,028 B2	3/2008	Hanson	
6,640,397 B1	11/2003	Gipson	D566,479 S	4/2008	Kabalin	
6,646,864 B2	11/2003	Richardson	7,367,451 B2	5/2008	Pendergraph et al.	
D484,004 S	12/2003	Lee	7,370,891 B1	5/2008	Schmitt et al.	
6,658,903 B1	12/2003	McShane et al.	D570,601 S	6/2008	Drew et al.	
6,679,358 B2	1/2004	Be	D570,603 S	6/2008	Wu et al.	
6,679,359 B2	1/2004	Pfeiffer	7,387,350 B2	6/2008	Killinger et al.	
6,691,451 B1	2/2004	Keenan	D572,577 S	7/2008	Hatton	
D487,348 S	3/2004	Fenton et al.	7,397,674 B2	7/2008	Schlack	
6,698,608 B2	3/2004	Parker et al.	D574,150 S	8/2008	Ross	
6,718,559 B1	4/2004	Davidson	D574,667 S	8/2008	Grabijas, III et al.	
D489,531 S	5/2004	Oh	D575,059 S	8/2008	Cappiello et al.	
D489,595 S	5/2004	Gleichauf et al.	7,415,794 B1	8/2008	Thompson	
6,736,265 B2 *	5/2004	Kipper	7,418,311 B1 *	8/2008	Lagassey	G07F 9/026 221/150 R
		B25H 3/023 206/373	D578,758 S	10/2008	Stevens et al.	
D490,980 S	6/2004	Concari	D579,202 S	10/2008	Grenier et al.	
D491,797 S	6/2004	Eriksson	7,434,410 B2	10/2008	Ford	
D492,184 S	6/2004	Parker et al.	7,441,641 B2	10/2008	Beakey	
6,755,448 B2	6/2004	Jackson et al.	D581,161 S	11/2008	Tong	
D493,286 S	7/2004	Concari	D582,678 S	12/2008	Rekuc et al.	
6,757,942 B2	7/2004	Matsui et al.	7,458,481 B2	12/2008	Yuen	
6,761,366 B1	7/2004	Klemmensen et al.	7,461,871 B2	12/2008	Vauchel	
6,779,681 B2	8/2004	Doerfler et al.	7,475,782 B2	1/2009	Lombardi	
6,789,692 B2	9/2004	Prezelin	D587,902 S	3/2009	Yoneno	
6,793,096 B1	9/2004	Seok	7,503,439 B2	3/2009	O'Shea et al.	
D497,480 S	10/2004	Drew et al.	D590,694 S	4/2009	Stuckey	
D498,053 S	11/2004	Nordstrom et al.	7,516,520 B2	4/2009	Kelahr et al.	
D498,054 S	11/2004	Moon	7,516,842 B2	4/2009	Gu	
6,821,019 B2	11/2004	Mogil	D591,511 S	5/2009	Wu	
D500,598 S	1/2005	Ramos	7,530,405 B2	5/2009	Kollath et al.	
6,877,189 B2	4/2005	Simonson et al.	7,533,782 B2	5/2009	Parker et al.	
6,883,208 B1	4/2005	Huang	7,540,364 B2	6/2009	Sanderson	
D505,011 S	5/2005	Einav	7,549,652 B2	6/2009	Wu	
6,895,789 B2	5/2005	Masseth, Jr. et al.	D596,400 S	7/2009	Chu et al.	
D508,376 S	8/2005	Bhavnani	D597,652 S	8/2009	Tang	
6,929,145 B2	8/2005	Shepler	7,568,739 B2	8/2009	Lee	
6,955,381 B2	10/2005	Parker et al.	7,571,915 B1	8/2009	Simmons	
6,981,780 B2	1/2006	Einav	D600,912 S	9/2009	Brunner	
6,983,946 B2	1/2006	Sullivan et al.	7,581,656 B2	9/2009	Gnepper et al.	
D515,362 S	2/2006	Chan	D602,252 S	10/2009	Ehret	
D517,947 S	3/2006	Hollingworth et al.	7,604,290 B1	10/2009	Giordano	
7,017,740 B2	3/2006	Itzkovitch	7,607,540 B2	10/2009	Ballard	
7,028,730 B2	4/2006	Pace et al.	D607,697 S	1/2010	Whitlock et al.	
D520,237 S	5/2006	Cheng	D608,159 S	1/2010	Whitlock et al.	
7,040,115 B1	5/2006	Lopez et al.	D608,601 S	1/2010	Whitlock et al.	
D522,811 S	6/2006	Martinez et al.	D610,349 S	2/2010	Ehret	
D523,242 S	6/2006	Hardigg et al.	7,658,269 B2	2/2010	Wu	
7,066,311 B2	6/2006	O'Shea	7,669,436 B2	3/2010	Mogil et al.	
D525,714 S	7/2006	Ueda	7,688,584 B1	3/2010	Becklin	
7,082,641 B1	8/2006	Jung et al.	D613,560 S	4/2010	Robichaud et al.	
7,093,699 B2	8/2006	Yu	7,703,588 B2	4/2010	Chiang	
D528,800 S	9/2006	Liu et al.	7,722,204 B1	5/2010	Sandberg	
D530,095 S	10/2006	Herzberg	D617,561 S	6/2010	Salerno-Tortora	
			7,735,261 B2	6/2010	Sellati	
			D618,966 S	7/2010	Koehler et al.	

(56)

References Cited

U.S. PATENT DOCUMENTS

D619,423 S	7/2010	Koehler et al.	D681,337 S	5/2013	Wu
D619,854 S	7/2010	Koehler et al.	8,459,058 B2	6/2013	Mogil
D619,855 S	7/2010	Koehler et al.	8,459,422 B1	6/2013	Efron
7,748,232 B2	7/2010	Kang	8,459,487 B2	6/2013	Sharma et al.
D624,315 S	9/2010	Amatrudo	8,459,495 B2	6/2013	Koenig et al.
7,806,287 B2	10/2010	Rouns	D685,186 S	7/2013	Massaud
D626,451 S	11/2010	Helwig et al.	8,474,098 B1	7/2013	Yang
D627,162 S	11/2010	Weng	8,484,813 B2	7/2013	Taniguchi et al.
D627,199 S	11/2010	Pruchnicki	8,490,413 B2	7/2013	Blackway et al.
7,841,207 B2	11/2010	Mogil et al.	8,496,133 B2	7/2013	Mizukoshi et al.
D629,200 S	12/2010	Turella-Yuan et al.	D688,589 S *	8/2013	Hung D11/148
7,854,321 B2	12/2010	Twig et al.	8,505,729 B2	8/2013	Sosnovsky et al.
D630,435 S	1/2011	Brunner	8,517,211 B2	8/2013	Brown et al.
7,861,552 B1	1/2011	Hughes	D688,920 S	9/2013	Manley et al.
7,861,834 B2	1/2011	Gorga et al.	D691,808 S	10/2013	Wu
7,874,047 B2	1/2011	Breeden	8,544,648 B2	10/2013	Cleveland et al.
7,874,408 B2	1/2011	Suppangig	8,561,264 B2	10/2013	Hasegawa et al.
D633,300 S	3/2011	Fair	8,561,269 B2	10/2013	LeCompte et al.
D634,545 S	3/2011	Fair	8,567,631 B2	10/2013	Brunner
7,909,148 B1	3/2011	Miller et al.	8,567,796 B2	10/2013	Bar-Erez et al.
D635,366 S	4/2011	Luburic	8,572,821 B2	11/2013	Hasegawa
D636,292 S	4/2011	Brown	8,573,399 B2	11/2013	Ulmer et al.
7,922,052 B2	4/2011	Podschus	8,590,704 B2	11/2013	Koenig et al.
D637,811 S	5/2011	Hong	8,590,724 B2	11/2013	Kreidler et al.
7,937,884 B1	5/2011	Naylor et al.	8,596,485 B2	12/2013	Lindsay
7,959,194 B2	6/2011	Mahoney	8,596,487 B1	12/2013	Su
D642,379 S	8/2011	Buller	8,601,838 B2	12/2013	Hansen et al.
D643,624 S	8/2011	Hong	8,616,600 B2	12/2013	Owen
7,997,591 B2	8/2011	Arthur	D697,717 S	1/2014	Santy
D644,434 S	9/2011	Miles et al.	8,622,235 B2	1/2014	SucHECKI
8,016,153 B2	9/2011	Boenig et al.	8,627,972 B2	1/2014	Thomas
D646,528 S	10/2011	Stallman et al.	D699,100 S	2/2014	Moreau et al.
8,037,983 B2	10/2011	Leung	D699,438 S	2/2014	Mathieu et al.
D648,538 S	11/2011	Reinhart et al.	8,640,937 B2	2/2014	Pruchnicki
D650,585 S	12/2011	Jamison et al.	8,677,661 B2	3/2014	Michels et al.
8,091,731 B2	1/2012	Kidd et al.	8,678,227 B2	3/2014	Patstone
8,096,152 B2	1/2012	Wagh et al.	D701,697 S	4/2014	Sabbag et al.
8,096,442 B2	1/2012	Ramundi	D703,435 S	4/2014	Wile et al.
8,099,836 B2	1/2012	Breeden et al.	8,683,660 B2	4/2014	Hasegawa et al.
D654,694 S	2/2012	Wu	8,689,396 B2	4/2014	Wolfe et al.
8,141,211 B2	3/2012	Weyer et al.	8,714,568 B2	5/2014	Allam et al.
D659,395 S	5/2012	Sijmons	8,740,010 B1	6/2014	Page
D660,000 S	5/2012	Peterson et al.	8,757,642 B2	6/2014	Arthur et al.
8,167,166 B2	5/2012	Kidd et al.	8,757,643 B2	6/2014	Arthur et al.
8,176,749 B2	5/2012	LaMere et al.	8,757,696 B2	6/2014	Schneider
8,191,747 B2	6/2012	Pruchnicki	D709,336 S	7/2014	Liebenthal
8,210,353 B2	7/2012	Epicureo	D709,696 S	7/2014	Wu
8,214,972 B2	7/2012	Lai	8,763,848 B2	7/2014	Carey
D664,891 S	8/2012	Takeda	8,763,851 B2	7/2014	Jiang et al.
D665,166 S	8/2012	Khalifa et al.	8,770,426 B2	7/2014	Arnett et al.
D666,002 S	8/2012	Lai	8,777,045 B2	7/2014	Mitchell et al.
8,245,868 B2	8/2012	Ikeda et al.	D710,099 S	8/2014	Horovitz et al.
8,251,113 B2	8/2012	Baxter	D710,610 S	8/2014	Sijmons et al.
8,251,245 B2	8/2012	DiPietro et al.	D710,614 S	8/2014	Meersschaert
D666,831 S	9/2012	Kinsky et al.	D711,104 S	8/2014	Lai
D666,832 S	9/2012	Kinsky et al.	D711,646 S	8/2014	Ke
D667,697 S	9/2012	Shah	D711,647 S	8/2014	Chen
8,256,156 B1	9/2012	Burgoyne, Jr.	D711,648 S	8/2014	Chen
D668,049 S	10/2012	Buller	D711,649 S	8/2014	Chen
8,286,828 B2	10/2012	Schafer	D712,143 S	9/2014	Chehebar
8,287,009 B2	10/2012	Dane et al.	D714,056 S	9/2014	Weng
8,292,119 B2	10/2012	Kenneally	D714,057 S	9/2014	Hou
8,297,464 B2	10/2012	Grenier et al.	D714,064 S	9/2014	Kim
D670,502 S	11/2012	Wu	8,844,749 B2	9/2014	Manahan et al.
8,328,247 B2	12/2012	Tonelli	8,844,950 B2	9/2014	Greene et al.
8,336,708 B2	12/2012	Potterfield et al.	8,850,666 B2	10/2014	Hasegawa et al.
D674,192 S	1/2013	Li	8,851,282 B2	10/2014	Brunner
8,342,580 B2	1/2013	Cowie et al.	8,851,289 B2	10/2014	Shi
8,378,323 B1	2/2013	Spann et al.	8,857,654 B2	10/2014	Mogil et al.
8,382,171 B2	2/2013	Williams	8,863,975 B2	10/2014	McCanless
D677,896 S	3/2013	Wu	8,864,185 B2	10/2014	Do
D678,749 S	3/2013	Tung	8,864,189 B2	10/2014	Fournie et al.
D678,750 S	3/2013	Tung	D717,152 S	11/2014	Weinerman et al.
8,424,930 B2	4/2013	Matsubara et al.	D718,051 S	11/2014	Frahm et al.
8,430,284 B2	4/2013	Broadbent et al.	8,875,877 B2	11/2014	Cottle et al.
			8,875,888 B2	11/2014	Koenig et al.
			8,875,934 B2	11/2014	Deka
			8,881,930 B2	11/2014	Banik
			8,887,515 B2	11/2014	Patstone

(56)

References Cited

U.S. PATENT DOCUMENTS

D718,936 S	12/2014	Sanz et al.	9,272,820 B2	3/2016	Cowie
D719,351 S	12/2014	Hailwood	9,278,704 B2	3/2016	Cates
8,905,412 B2	12/2014	Fux	9,290,297 B2	3/2016	Overath
8,910,788 B2	12/2014	Roach et al.	D752,862 S	4/2016	Riddiford et al.
8,910,819 B2	12/2014	Seiders	9,307,840 B2	4/2016	Restrepo et al.
8,919,596 B2	12/2014	Carino	9,322,192 B2	4/2016	Burd
D720,599 S	1/2015	Weinerman et al.	D755,518 S	5/2016	Sijmons
D720,928 S	1/2015	Roncato	9,327,887 B2	5/2016	Farentinos et al.
8,925,752 B2	1/2015	Smith	9,340,224 B2	5/2016	Yoder et al.
D722,771 S	2/2015	Wu	9,341,003 B2	5/2016	Ely et al.
D722,860 S	2/2015	Linares	9,341,403 B2	5/2016	Conrad et al.
8,944,476 B1	2/2015	Henderson	9,346,616 B2	5/2016	Foster
8,960,430 B2	2/2015	Roach et al.	9,351,550 B2	5/2016	Arthur et al.
8,960,735 B2	2/2015	Michael et al.	D759,971 S	6/2016	Riddiford et al.
D724,323 S	3/2015	Wang	9,359,798 B2	6/2016	Greenwood et al.
8,979,100 B2	3/2015	Bensman et al.	9,376,050 B1	6/2016	Gill
8,979,101 B2	3/2015	Primiano	9,387,963 B2	7/2016	McBroom et al.
8,979,144 B2	3/2015	Paugh et al.	9,393,684 B2	7/2016	Christopher et al.
8,985,326 B2	3/2015	Halsne et al.	D762,471 S	8/2016	Green et al.
8,985,385 B2	3/2015	Parker et al.	D762,977 S	8/2016	Xu
D725,907 S	4/2015	Yu	9,408,449 B1	8/2016	Tsai
D727,620 S	4/2015	Tonelli	9,415,787 B2	8/2016	Mericle
9,004,274 B2	4/2015	Thomberg	9,427,058 B2	8/2016	Boglione
9,004,548 B2	4/2015	Joret et al.	D765,397 S	9/2016	Reinhart
D728,933 S	5/2015	Sanz et al.	D765,406 S	9/2016	Faibish
D730,050 S	5/2015	Hogan et al.	D765,407 S	9/2016	Reinhart
9,027,751 B2	5/2015	Lee	D765,408 S	9/2016	Reinhart
D730,716 S	6/2015	Weinerman et al.	D765,409 S	9/2016	Reinhart
D731,250 S	6/2015	Butler et al.	D765,410 S	9/2016	Reinhart
D732,348 S	6/2015	Seiders et al.	D765,411 S	9/2016	Reinhart
D732,349 S	6/2015	Seiders et al.	D765,973 S	9/2016	Tonelli et al.
D732,350 S	6/2015	Seiders et al.	D767,277 S	9/2016	Faibish
D732,823 S	6/2015	Baron	9,435,578 B2	9/2016	Calderon et al.
D732,899 S	6/2015	Seiders et al.	9,443,366 B2	9/2016	Rayner
D732,923 S	6/2015	Rechberg et al.	D768,464 S	10/2016	Hatton
9,045,264 B2	6/2015	Pils	9,468,277 B2	10/2016	King
9,060,577 B2	6/2015	Farrelly et al.	D770,179 S	11/2016	Menirom
9,067,081 B2	6/2015	Roach et al.	D771,381 S	11/2016	Sosnovsky et al.
D734,742 S	7/2015	Fujioka	D772,577 S	11/2016	Muchin et al.
9,079,595 B2	7/2015	Chen et al.	D773,821 S	12/2016	Reinhart
9,085,403 B2	7/2015	Roach et al.	D773,901 S	12/2016	Marret
9,101,186 B2	8/2015	Lai	9,511,491 B2	12/2016	Brunner
9,108,772 B2	8/2015	Hovatter	D776,932 S	1/2017	Reinhart
9,113,686 B1	8/2015	Bishop	D776,934 S	1/2017	Braendle
9,114,909 B2	8/2015	Wagner	D777,441 S	1/2017	Li
D738,702 S	9/2015	Linares	D777,530 S	1/2017	Marret
9,139,352 B2	9/2015	Seiders et al.	D778,054 S	2/2017	Li
D740,557 S	10/2015	Liao	D778,707 S	2/2017	Tonelli
D740,558 S	10/2015	Liao	D779,201 S	2/2017	Beilman et al.
9,163,871 B1	10/2015	Costello	9,566,704 B1	2/2017	Stoikos et al.
9,169,678 B2	10/2015	Rozema	9,567,784 B2	2/2017	Defrance et al.
D743,171 S	11/2015	Reinhart	D780,523 S	3/2017	Jacobsen
9,187,210 B2	11/2015	Zhu et al.	D780,524 S	3/2017	Jacobsen
9,193,060 B2	11/2015	Ben-Gigi	D780,525 S	3/2017	Jacobsen
D744,750 S	12/2015	Sabbag et al.	D784,017 S	4/2017	Hsieh
9,198,492 B2	12/2015	Chehebar	9,622,547 B2	4/2017	Seader
9,199,370 B2	12/2015	Crull	D785,937 S	5/2017	Morszeck
9,199,657 B2	12/2015	Martin	D786,561 S	5/2017	Seiders et al.
9,204,699 B2	12/2015	Pickens et al.	9,637,294 B2	5/2017	Kinsky
9,205,551 B2	12/2015	Green et al.	9,655,418 B2	5/2017	Chien et al.
9,211,040 B2	12/2015	Lane	D788,460 S	6/2017	Morszeck
9,215,918 B2	12/2015	Kao et al.	9,669,986 B1	6/2017	Evans
D747,639 S	1/2016	Linares	D792,094 S	7/2017	Stoikos et al.
D747,950 S	1/2016	Jacobsen et al.	D792,105 S	7/2017	Reinhart
D747,951 S	1/2016	Jacobsen et al.	D793,089 S	8/2017	Jackson
9,233,465 B2	1/2016	Lai	D796,199 S	9/2017	Law
D748,452 S	2/2016	Jacobsen et al.	D796,838 S	9/2017	Sijmons et al.
9,248,566 B2	2/2016	Horiyama et al.	9,809,376 B2	11/2017	Mitchell et al.
9,254,901 B2	2/2016	Gill	D804,819 S	12/2017	Faibish et al.
9,259,090 B1	2/2016	Cronin	D805,772 S	12/2017	Oshima
9,259,593 B2	2/2016	Roach et al.	D805,851 S	12/2017	Sullivan et al.
9,259,828 B2	2/2016	Bermes	9,839,272 B2	12/2017	Licciardino
9,266,462 B2	2/2016	Miller	9,848,681 B1	12/2017	Chen
D750,953 S	3/2016	Jacobsen et al.	9,849,901 B2	12/2017	Jackman
D752,344 S	3/2016	Green	D806,483 S	1/2018	Stanford et al.
			D807,123 S	1/2018	Carey et al.
			D807,124 S	1/2018	Carey et al.
			D808,164 S	1/2018	Summers
			D808,653 S	1/2018	Rayeski et al.

(56)

References Cited

U.S. PATENT DOCUMENTS

D808,655 S	1/2018	Seiders et al.	D848,222 S	5/2019	Munie et al.
D808,730 S	1/2018	Sullivan et al.	D848,223 S	5/2019	Munie et al.
9,878,841 B2	1/2018	Holderness et al.	D848,744 S	5/2019	Axelbaum
D809,293 S	2/2018	Virassamy et al.	D848,798 S	5/2019	Munie et al.
D809,295 S	2/2018	Ehret	D849,486 S	5/2019	Munie et al.
D810,432 S	2/2018	Ballou et al.	10,292,473 B2	5/2019	Meersschaert
D810,433 S	2/2018	Ballou et al.	D850,796 S	6/2019	Ricca
D811,084 S	2/2018	Ballou et al.	D851,401 S	6/2019	Zhang
D811,090 S	2/2018	Karl	10,314,377 B2	6/2019	Stephens
9,883,724 B2	2/2018	Woode	D853,729 S	7/2019	Axelbaum
9,894,971 B2	2/2018	Scicluna et al.	D854,826 S	7/2019	Tonelli
9,901,153 B2	2/2018	Nash	10,334,935 B2	7/2019	Chung
D811,742 S	3/2018	Ballou et al.	10,350,746 B2	7/2019	Martinez et al.
D811,744 S	3/2018	Ballou et al.	10,351,330 B2	7/2019	Smith et al.
D812,909 S	3/2018	Morszeck	10,357,874 B2	7/2019	Engvall et al.
9,913,518 B2	3/2018	Su	D857,386 S	8/2019	Shpitzer
D814,187 S	4/2018	Caglar	10,376,031 B1	8/2019	Majhess
D815,831 S	4/2018	Tonelli	10,378,569 B2	8/2019	Jensen et al.
D815,919 S	4/2018	DeFrancia	D859,842 S	9/2019	Frank
D816,337 S	5/2018	Cheng	10,399,748 B2	9/2019	Reinhart
D816,492 S	5/2018	Reinhart	10,401,075 B2	9/2019	Bond
D817,722 S	5/2018	Bradley	D861,535 S	10/2019	Venables
D818,712 S	5/2018	Fleming et al.	10,443,918 B2	10/2019	Li et al.
9,968,170 B2	5/2018	Morszeck	D869,160 S	12/2019	Seiders et al.
D819,331 S	6/2018	Ballou et al.	D869,244 S	12/2019	Ellison et al.
D820,049 S	6/2018	Ahlstrom et al.	D869,848 S	12/2019	Wu
9,999,284 B1	6/2018	Tan	D872,478 S	1/2020	Seiders et al.
D821,824 S	7/2018	Rane et al.	D872,485 S	1/2020	Seiders et al.
D821,825 S	7/2018	Sullivan et al.	D873,020 S	1/2020	Seiders et al.
D824,168 S	7/2018	Morszeck	10,568,395 B2	2/2020	Hayashi
D824,731 S	8/2018	Sullivan et al.	10,568,400 B2	2/2020	Shechter et al.
10,058,151 B2	8/2018	Morszeck	D876,833 S	3/2020	Brunner et al.
D827,304 S	9/2018	Tao	D878,054 S	3/2020	Reinhart et al.
D828,028 S	9/2018	Seiders et al.	10,595,608 B2	3/2020	Korey et al.
D828,029 S	9/2018	Seiders et al.	2002/0024189 A1	2/2002	Chen
D828,112 S	9/2018	Furieux et al.	2002/0038745 A1	4/2002	Lamming
D829,244 S	9/2018	Sullivan et al.	2002/0074332 A1	6/2002	Sagol
10,080,412 B2	9/2018	Hartmann et al.	2002/0162841 A1	11/2002	Shamir et al.
D830,132 S	10/2018	Sullivan et al.	2002/0185871 A1	12/2002	Straka
D830,133 S	10/2018	Sullivan et al.	2002/0195827 A1	12/2002	Jackson et al.
D830,134 S	10/2018	Sullivan et al.	2003/0019705 A1	1/2003	Lau
10,086,745 B2	10/2018	Gill	2003/0038007 A1	2/2003	Han
10,088,144 B1	10/2018	Sandberg	2003/0038142 A1	2/2003	Gee
D832,653 S	11/2018	Waskow et al.	2003/0106821 A1	6/2003	Bar-Erez
10,124,742 B2	11/2018	Martinez et al.	2003/0111476 A1	6/2003	Serio
10,138,048 B2	11/2018	Mitchell et al.	2003/0136702 A1	7/2003	Redzisz et al.
D834,819 S	12/2018	Burek et al.	2004/0007604 A1	1/2004	Plzak
D835,470 S	12/2018	Seiders et al.	2004/0016854 A1	1/2004	Hart
D835,472 S	12/2018	Seiders et al.	2004/0025306 A1	2/2004	Coffey
D835,473 S	12/2018	Jacobsen	2004/0040967 A1	3/2004	Eiskant et al.
D835,946 S	12/2018	Seiders et al.	2004/0163910 A1	8/2004	Lee
10,143,282 B2	12/2018	Seiders et al.	2004/0178208 A1	9/2004	Leba et al.
10,159,312 B2	12/2018	Ito	2004/0246695 A1	12/2004	Schlack
10,160,471 B2	12/2018	Yahav et al.	2005/0023096 A1	2/2005	Tiramani
D836,993 S	1/2019	Meda et al.	2005/0099019 A1	5/2005	Hall et al.
D836,996 S	1/2019	Jacobsen	2005/0103813 A1	5/2005	Edwards
D836,997 S	1/2019	Jacobsen	2005/0139741 A1	6/2005	Yuen
D836,998 S	1/2019	Jacobsen	2005/0150892 A1	7/2005	Miller
D836,999 S	1/2019	Jacobsen	2005/0180835 A1	8/2005	Schneider
D837,001 S	1/2019	Jacobsen	2005/0199628 A1	9/2005	Van Handel et al.
D837,515 S	1/2019	Shpitzer	2005/0217071 A1	10/2005	Shiner
D837,611 S	1/2019	Lane et al.	2005/0258610 A1	11/2005	Stone et al.
D838,208 S	1/2019	Hirabayashi et al.	2005/0279123 A1	12/2005	Maldonado et al.
D838,983 S	1/2019	Seiders et al.	2006/0011641 A1	1/2006	Sanderson
D838,984 S	1/2019	Seiders et al.	2006/0017293 A1	1/2006	Tonelli
D839,094 S	1/2019	Giraud et al.	2006/0037178 A1	2/2006	Sulhoff
D839,682 S	2/2019	Jacobsen	2006/0037824 A1	2/2006	Park et al.
D840,150 S	2/2019	Seiders et al.	2006/0042897 A1	3/2006	Sanderson
D840,194 S	2/2019	Furieux et al.	2006/0049640 A1	3/2006	Lee
D842,048 S	3/2019	Wells	2006/0180422 A1	8/2006	Lin
D844,325 S	4/2019	Nelson	2006/0196218 A1	9/2006	Mogil et al.
10,272,934 B2	4/2019	DeFrancia	2006/0213736 A1	9/2006	Godshaw
D848,219 S	5/2019	Munie et al.	2006/0213941 A1	9/2006	Sweeney
D848,220 S	5/2019	Munie et al.	2006/0225981 A1	10/2006	Lin
D848,221 S	5/2019	Munie et al.	2006/0249412 A1	11/2006	Hernandez et al.
			2006/0249522 A1	11/2006	Ringo
			2006/0276768 A1	12/2006	Miller et al.
			2007/0039957 A1	2/2007	Shulz et al.
			2007/0101754 A1	5/2007	Maldonado

(56)

References Cited

U.S. PATENT DOCUMENTS

2007/0175898	A1	8/2007	Craft et al.	2014/0130310	A1	5/2014	Roth
2007/0235452	A1	10/2007	Killinger et al.	2014/0137370	A1	5/2014	Lo et al.
2007/0261977	A1	11/2007	Sakai	2014/0138384	A1	5/2014	O'Brien
2008/0001373	A1	1/2008	Vaughn	2014/0151388	A1	6/2014	Culeron et al.
2008/0029528	A1	2/2008	Mireault	2014/0158028	A1	6/2014	Adams
2008/0042460	A1	2/2008	Fuchs	2014/0166516	A1	6/2014	Martinez et al.
2008/0067095	A1	3/2008	Mueller	2014/0197059	A1	7/2014	Evans et al.
2008/0067206	A1	3/2008	Kuhn	2014/0251864	A1	9/2014	Voeller
2008/0078637	A1	4/2008	Su	2014/0252010	A1	9/2014	Miller
2008/0078682	A1	4/2008	Clark et al.	2014/0265197	A1	9/2014	Russell et al.
2008/0110892	A1	5/2008	House	2014/0271095	A1	9/2014	Umans et al.
2008/0116215	A1	5/2008	Chuang	2014/0284158	A1	9/2014	Reid
2008/0156858	A1	7/2008	Perry et al.	2014/0284243	A1	9/2014	Tucker
2008/0170388	A1	7/2008	Greil	2014/0311361	A1	10/2014	Wangler
2008/0190940	A1	8/2008	Scott	2014/0311844	A1	10/2014	Meersschaert et al.
2008/0196650	A1	8/2008	Fernung	2014/0319147	A1	10/2014	Horovitz et al.
2008/0230339	A1	9/2008	Pereira	2015/0027835	A1	1/2015	Moon
2008/0245095	A1	10/2008	Schlipman et al.	2015/0034515	A1	2/2015	Monyak et al.
2008/0257775	A1	10/2008	Randolph	2015/0069962	A1	3/2015	Dietzel et al.
2008/0264946	A1	10/2008	Moschella et al.	2015/0089903	A1	4/2015	Carey
2009/0009039	A1	1/2009	Mayes, Jr.	2015/0090551	A1	4/2015	Sikka
2009/0014974	A1	1/2009	VanVorst et al.	2015/0114024	A1	4/2015	Grepper
2009/0049859	A1	2/2009	Moon	2015/0129569	A1	5/2015	Miller
2009/0078593	A1	3/2009	Patstone	2015/0175338	A1	6/2015	Culp et al.
2009/0080809	A1	3/2009	Pham et al.	2015/0189963	A1	7/2015	Lai et al.
2009/0101460	A1	4/2009	Justham et al.	2015/0190920	A1	7/2015	Karlsson et al.
2009/0114646	A1	5/2009	Whalen	2015/0208779	A1	7/2015	Tong
2009/0114653	A1	5/2009	Schenker	2015/0209226	A1	7/2015	Priebe et al.
2009/0158770	A1	6/2009	Cohrs et al.	2015/0233630	A1	8/2015	Bond
2009/0173744	A1	7/2009	Hassell	2015/0292840	A1	10/2015	Tobin
2009/0194541	A1	8/2009	Mayo	2015/0296945	A1	10/2015	Douglas
2009/0277905	A1	11/2009	Gillan	2015/0315532	A1	11/2015	Bergbohm et al.
2010/0072215	A1	3/2010	Coon	2015/0352709	A1	12/2015	Diamond
2010/0078451	A1	4/2010	Mount	2015/0375558	A1	12/2015	Ben-Or
2010/0108556	A1	5/2010	Claffy	2015/0375918	A1	12/2015	Holderness et al.
2010/0133132	A1	6/2010	Allan	2016/0023837	A1	1/2016	Furneaux et al.
2010/0200784	A1	8/2010	Turner	2016/0046417	A1	2/2016	Kromer
2010/0258576	A1	10/2010	Marquez	2016/0052682	A1	2/2016	Gunnerson et al.
2010/0275642	A1	11/2010	Klettner	2016/0083186	A1	3/2016	Wright
2011/0016911	A1	1/2011	Mosby	2016/0084454	A1	3/2016	Svitak, Sr. et al.
2011/0064332	A1	3/2011	Piazza et al.	2016/0091239	A1	3/2016	Beland
2011/0114526	A1	5/2011	Neumann et al.	2016/0135563	A1	5/2016	Truong
2011/0119986	A1	5/2011	Sellers	2016/0138809	A1	5/2016	Colucci et al.
2011/0121002	A1	5/2011	Stiller	2016/0150862	A1	6/2016	Tonelli
2011/0127264	A1	6/2011	Whalen	2016/0166024	A1	6/2016	Lai
2011/0132046	A1	6/2011	Tonelli	2016/0183651	A1	6/2016	Tonelli
2011/0181008	A1	7/2011	Bensman et al.	2016/0244209	A1	8/2016	Hain
2011/0182532	A1	7/2011	Baltus	2016/0251124	A1	9/2016	Arnold et al.
2011/0186396	A1	8/2011	Sheikh	2016/0279840	A1	9/2016	French et al.
2011/0186398	A1	8/2011	Sheikh	2017/0079398	A1	3/2017	Reh et al.
2011/0197625	A1	8/2011	Urban et al.	2017/0082342	A1	3/2017	Weinberg et al.
2011/0203328	A1	8/2011	Vilkomirski et al.	2017/0127782	A1	5/2017	Korey et al.
2011/0220531	A1	9/2011	Meether et al.	2017/0165829	A1	6/2017	Damberg
2011/0226003	A1	9/2011	Chaney et al.	2017/0173781	A1	6/2017	Damberg
2011/0226785	A1	9/2011	Sakell	2017/0215537	A1	8/2017	Yu
2012/0024896	A1	2/2012	Scobey et al.	2017/0290400	A1	10/2017	Thomas
2012/0104012	A1	5/2012	Cowie et al.	2017/0347765	A1	12/2017	Jackson et al.
2012/0168444	A1	7/2012	Shitrit et al.	2018/0035775	A1	2/2018	Haimoff
2012/0193353	A1	8/2012	Cronin et al.	2018/0078008	A1	3/2018	Sturm
2012/0267208	A1	10/2012	D'Angelo	2018/0087819	A1	3/2018	Triska et al.
2012/0273506	A1	11/2012	Adams et al.	2018/0141718	A1	5/2018	Ahlstrom et al.
2012/0286489	A1	11/2012	Bartholomew	2018/0339820	A1	11/2018	Reinhart et al.
2012/0312708	A1	12/2012	Roehm et al.	2018/0354687	A1	12/2018	Seiders et al.
2013/0068579	A1	3/2013	Mathieu et al.	2019/0008254	A1	1/2019	Newson
2013/0140120	A1	6/2013	Rasmussen	2019/0092530	A1	3/2019	Seiders et al.
2013/0168196	A1	7/2013	Stanley	2019/0170422	A1	6/2019	Dexter
2013/0175130	A1	7/2013	Liang	2019/0234671	A1	8/2019	Stanford et al.
2013/0175276	A1	7/2013	Gleichauf et al.	2019/0256119	A1	8/2019	Brilhante et al.
2013/0248390	A1	9/2013	Roehm et al.	2019/0271433	A1	9/2019	Tonelli
2013/0292220	A1	11/2013	Kerley	2020/0037719	A1	2/2020	Jaworski et al.
2013/0292221	A1	11/2013	Ryan et al.	2020/0039056	A1	2/2020	Damberg
2013/0307214	A1	11/2013	Groller et al.	2020/0060400	A1	2/2020	Glaser
2014/0027454	A1	1/2014	Banik	2020/0061802	A1	2/2020	Samsel et al.
2014/0062042	A1	3/2014	Wagner et al.				
2014/0069832	A1	3/2014	Roehm				

(56)

References Cited

U.S. PATENT DOCUMENTS

2020/0062454 A1 2/2020 Duong et al.
 2020/0086905 A1 3/2020 Yao et al.

FOREIGN PATENT DOCUMENTS

BR	202015031335	U2	6/2017	CN	303228514	6/2015
CA	60997		8/1898	CN	303242426	6/2015
CA	72336	A	7/1901	CN	303251869	6/2015
CA	72337	A	7/1901	CN	303324038	8/2015
CA	72338	A	7/1901	CN	303333672	8/2015
CA	73327	A	10/1901	CN	201530103483	8/2015
CA	77273	A	9/1902	CN	303381343	9/2015
CA	81456	A	6/1903	CN	303390870	9/2015
CA	152411	A	12/1913	CN	303499903	12/2015
CA	175930	A	3/1917	CN	303546215	1/2016
CA	175939	A	3/1917	CN	201530438676	2/2016
CA	2624994	A1	5/2000	CN	201530438792	2/2016
CA	89737	A	6/2000	CN	303630971	4/2016
CA	2483772	A1	4/2005	CN	303680031	5/2016
CA	2633223	A1	12/2009	CN	303680054	5/2016
CA	2635328	A1	12/2009	CN	303687108	6/2016
CA	2782668	A1	12/2013	CN	205521292	U 8/2016
CH	365631	A	11/1962	CN	303783877	8/2016
CN	2073459	U	3/1991	CN	303799176	8/2016
CN	2132145	Y	5/1993	CN	201630123602	8/2016
CN	1112819	A	12/1995	CN	303904119	11/2016
CN	2515999	Y	10/2002	CN	303918135	11/2016
CN	2549792	Y	5/2003	CN	205831341	U 12/2016
CN	1457237	A	11/2003	CN	303982382	12/2016
CN	2664452	Y	12/2004	CN	303982387	12/2016
CN	3498732		1/2006	CN	304000494	1/2017
CN	3498735		1/2006	CN	304036742	2/2017
CN	2813823	Y	9/2006	CN	304036750	2/2017
CN	300690540		9/2007	CN	304050612	2/2017
CN	300690541		9/2007	CN	304068469	3/2017
CN	201076126	Y	6/2008	CN	304076890	3/2017
CN	300854008		12/2008	CN	106551485	A 4/2017
CN	300856959		12/2008	CN	304172638	6/2017
CN	300918117		5/2009	CN	107125891	A 9/2017
CN	301150817		3/2010	CN	107173938	A 9/2017
CN	301189065		5/2010	CN	107307551	A 11/2017
CN	201691232	U	1/2011	CN	107467837	A 12/2017
CN	301548656		5/2011	CN	206702967	U 12/2017
CN	301620134		7/2011	CN	304411334	12/2017
CN	201919912	U	8/2011	CN	304411336	12/2017
CN	201938601	U	8/2011	CN	304411337	12/2017
CN	301711528		11/2011	CN	304411389	12/2017
CN	301808188		1/2012	CN	304417314	12/2017
CN	301950501		6/2012	CN	304423206	12/2017
CN	102626271	A	8/2012	CN	304423258	12/2017
CN	302115731		10/2012	CN	304423259	12/2017
CN	102805467	A	12/2012	CN	304423260	12/2017
CN	202722894	U	2/2013	CN	304423317	12/2017
CN	102948946	A	3/2013	CN	206880270	U 1/2018
CN	202760145	U	3/2013	CN	304461798	1/2018
CN	302365993		3/2013	CN	107668874	A 2/2018
CN	202874104	U	4/2013	CN	304532315	3/2018
CN	302425923		5/2013	CN	304532317	3/2018
CN	302448361		6/2013	CN	304532318	3/2018
CN	203182247	U	9/2013	CN	304532319	3/2018
CN	203283617	U	11/2013	CN	304539046	3/2018
CN	302631183		11/2013	CN	304555895	3/2018
CN	203439475	U	2/2014	CN	304562598	4/2018
CN	302811286		5/2014	CN	304569073	4/2018
CN	302868078		7/2014	CN	304569074	4/2018
CN	203789329	U	8/2014	CN	304569074	4/2018
CN	203814784	U	9/2014	CN	108078109	A 5/2018
CN	204032607	U	12/2014	CN	304645055	5/2018
CN	104433073	A	3/2015	CN	207428627	U 6/2018
CN	204245396	U	4/2015	CN	304653754	6/2018
CN	303154464		4/2015	CN	304660325	6/2018
CN	303186110		4/2015	CN	304660327	6/2018
CN	303221245		5/2015	CN	304660329	6/2018
CN	204409860	U	6/2015	CN	304660332	6/2018
CN	303228513		6/2015	CN	304692146	6/2018
				CN	304701684	6/2018
				CN	304749390	7/2018
				CN	304764980	8/2018
				CN	108497660	A 9/2018
				CN	304823685	9/2018
				CN	304823694	9/2018
				CN	108608804	A 10/2018
				CN	207949211	U 10/2018
				CN	304836888	10/2018
				CN	304854893	10/2018

(56)

References Cited

FOREIGN PATENT DOCUMENTS

CN	304862165	10/2018	DE	7502524	U	9/1975
CN	304862166	10/2018	DE	2939826	A1	4/1980
CN	108741519	A 11/2018	DE	3344410	A1	6/1985
CN	108783799	A 11/2018	DE	8620597	U1	9/1986
CN	108835813	A 11/2018	DE	9012845	U1	10/1990
CN	108835814	A 11/2018	DE	4042245	A1	7/1991
CN	304877452	11/2018	DE	9105033	U1	3/1992
CN	304900938	11/2018	DE	9408707	U1	9/1995
CN	108945792	A 12/2018	DE	29516306	U1	2/1997
CN	109043770	A 12/2018	DE	29815666	U1	11/1998
CN	208192442	U 12/2018	DE	19755532	A1	6/1999
CN	208192487	U 12/2018	DE	20312950	U1	10/2003
CN	304995265	1/2019	DE	20313077	U1	1/2004
CN	305641119	1/2019	DE	202004007996	U1	7/2004
CN	109303399	A 2/2019	DE	202004015475	U1	1/2005
CN	305019548	2/2019	DE	202004016959	U1	2/2005
CN	109431028	A 3/2019	DE	202005006105	U1	6/2005
CN	109497673	A 3/2019	DE	202005014773	U1	11/2005
CN	208581902	U 3/2019	DE	202006001888	U1	4/2006
CN	305050777	3/2019	DE	402010002800-0008		6/2010
CN	305078423	3/2019	DE	402010002800-0001		7/2010
CN	305078424	3/2019	DE	402010002800-0002		7/2010
CN	305111950	4/2019	DE	402010002800-0003		7/2010
CN	305181544	5/2019	DE	402010002800-0004		7/2010
CN	305184268	5/2019	DE	402010002800-0007		7/2010
CN	305242413	7/2019	DE	402010002800-0009		7/2010
CN	305283238	8/2019	DE	402010002800-0010		7/2010
CN	209403814	U 9/2019	DE	402010002800-0011		7/2010
CN	305347993	9/2019	DE	402010002800-0012		7/2010
CN	305359134	9/2019	DE	202012006671	U1	8/2012
CN	305359135	9/2019	DE	102012025617	A1	10/2013
CN	209528183	U 10/2019	DE	102013004590	A1	9/2014
CN	305398498	10/2019	DE	102013114520	A1	6/2015
CN	209563672	U 11/2019	DE	202016004315	U1	8/2016
CN	209628893	U 11/2019	DE	202015106823	U1	3/2017
CN	305424085	11/2019	DE	102017122609	A1	3/2019
CN	305424089	11/2019	EM	000134804-0001		6/2004
CN	305437133	11/2019	EM	001606468-0001		9/2009
CN	305437134	11/2019	EM	001606468-0002		9/2009
CN	305437137	11/2019	EM	001682428-0001		4/2010
CN	110605939	A 12/2019	EM	001682428-0002		4/2010
CN	209719155	U 12/2019	EM	001682428-0003		4/2010
CN	209719159	U 12/2019	EM	001682428-0004		4/2010
CN	209732871	U 12/2019	EM	001682428-0005		4/2010
CN	209788810	U 12/2019	EM	001682428-0006		4/2010
CN	305476163	12/2019	EM	001781865-0001		12/2010
CN	305488622	12/2019	EM	001781865-0006		12/2010
CN	305499080	12/2019	EM	001781865-0006		12/2010
CN	305518862	12/2019	EM	001781865-0007		12/2010
CN	209931762	U 1/2020	EM	001781865-0008		12/2010
CN	209965461	U 1/2020	EM	001781899-0006		2/2011
CN	305527333	1/2020	EM	001781899-0009		2/2011
CN	305533439	1/2020	EM	002215897-0001		8/2013
CN	305533533	1/2020	EM	002277574-0001		8/2013
CN	305533534	1/2020	EM	002277574-0002		8/2013
CN	305533538	1/2020	EM	002325209-0001		11/2013
CN	305533539	1/2020	EM	002325209-0002		11/2013
CN	305540311	1/2020	EM	002569467-0001		11/2014
CN	305547763	1/2020	EM	002569467-0002		11/2014
CN	305547764	1/2020	EM	002569467-0003		11/2014
CN	305547961	1/2020	EM	002569467-0004		11/2014
CN	305577923	1/2020	EM	002576728-0013		11/2014
CN	305577960	1/2020	EM	002646935-0001		3/2015
CN	210076793	U 2/2020	EM	002978569-0001		2/2016
CN	210114130	U 2/2020	EM	003261668-0002		7/2016
CN	305584095	2/2020	EM	003743905-0006		2/2017
CN	305584098	2/2020	EM	00410048-0001		9/2017
CN	305605578	2/2020	EM	004100048-0002		9/2017
CN	305614805	2/2020	EM	004385409-0001		10/2017
CN	305635594	3/2020	EM	004168789-0001		11/2017
CN	305642338	3/2020	EM	004662039-0002		3/2018
CN	305642339	3/2020	EM	004662039-0003		3/2018
CN	305642418	3/2020	EM	005609583-0001		8/2018
DE	74708	C 4/1894	EM	005625977-0006		9/2018
DE	2020368	A1 11/1971	EM	005500311-0002		10/2018
			EM	005500311-0003		10/2018
			EM	005804747-0001		10/2018
			EM	005804762-0001		10/2018
			EM	005804770-0001		10/2018
			EM	005805140-0001		10/2018

(56)

References Cited

FOREIGN PATENT DOCUMENTS					
EM	005805199-0001	10/2018	IN	266779-0001	5/2015
EM	006453072-0001	5/2019	IN	276720	2/2016
EM	006618583-0001	10/2019	JP	S57-150175 U	9/1982
EM	006618583-0002	10/2019	JP	S60-164570 A	8/1985
EM	006618583-0003	10/2019	JP	H03-066374 U	6/1991
EM	006618583-0004	10/2019	JP	H0574275 A	3/1993
EM	007064233-0002	11/2019	JP	H07-102842 A	4/1995
EM	007145461-0012	11/2019	JP	H08-093298 A	4/1996
EM	007449095-0001	1/2020	JP	2569734 B2	1/1997
EM	007576806-0001	2/2020	JP	2976179 B2	11/1999
EM	007719141-0001	3/2020	JP	2001-107621 A	4/2001
EP	0069419 A1	1/1983	JP	3177720 B2	6/2001
EP	0530067 A1	3/1993	JP	3197227 B2	8/2001
EP	0587451 A1	3/1994	JP	2001-262907 A	9/2001
EP	0221215 B1	6/1995	JP	3211023 B2	9/2001
EP	0670791 A1	9/1995	JP	D1121506	9/2001
EP	1000865 A1	5/2000	JP	3225244 B2	11/2001
EP	1059239 A1	12/2000	JP	D2001-10753	6/2002
EP	1080656 A1	3/2001	JP	D1193948	1/2004
EP	1442845 A1	8/2004	JP	2006122067 A	5/2006
EP	1475008 A1	11/2004	JP	D1312168	10/2007
EP	1880948 A2	1/2008	JP	D2007-16058	5/2008
EP	1921009 A1	5/2008	JP	D2007-16059	5/2008
EP	2024218 A2	2/2009	JP	D1338388	8/2008
EP	2107982 A1	10/2009	JP	D1382214	3/2010
EP	2236428 A1	10/2010	JP	D1382215	3/2010
EP	2330939 A1	6/2011	JP	D1397219	9/2010
EP	2344000 A1	7/2011	JP	D1397346	9/2010
EP	2387906 A1	11/2011	JP	D1408819	3/2011
EP	2412493 A2	2/2012	JP	D1408988	3/2011
EP	2441340 A1	4/2012	JP	2014184051 A	10/2014
EP	2522248 A1	11/2012	JP	6206200 B2	10/2017
EP	254381 A1	1/2013	JP	6226662 B2	11/2017
EP	2745727 A2	6/2014	JP	2019119506 A	7/2019
EP	2826394 A1	1/2015	KR	100395931 B1	8/2003
EP	2829484 A1	1/2015	KR	3020030024985	9/2003
EP	2829485 A1	1/2015	KR	200362331 Y1	9/2004
EP	2904926 A1	8/2015	KR	20070101643 A	10/2007
EP	3013176 A1	5/2016	KR	20070103598 A	10/2007
EP	3027078 A1	6/2016	KR	3020070008850	12/2007
EP	3073852 A1	10/2016	KR	300492699.0000	5/2008
EP	3216363 A1	9/2017	KR	20090074289 A	7/2009
EP	3351130 A1	7/2018	KR	100921297 B1	10/2009
EP	3403521 A1	11/2018	KR	101267451 B1	5/2013
EP	3581059 A1	12/2019	KR	300740505.0000	4/2014
FR	2179844 A1	11/1973	KR	300887228.0000	12/2016
FR	2223248 A1	10/1974	KR	300908948.0000	6/2017
FR	2638950 A1	5/1990	KR	300908949.0000	6/2017
FR	2689100 A1	10/1993	KR	20180037090	4/2018
FR	2711044 A1	4/1995	KR	300915252.0000	7/2018
FR	2712257 A1	5/1995	KR	300968949.0000	8/2018
FR	2809690 A1	12/2001	KR	300982867.0000	11/2018
FR	2870692 A1	12/2005	KR	300983257.0000	12/2018
FR	2912997 A1	8/2008	KR	300990253.0000	1/2019
GB	854540 A	11/1960	KR	3009902440000	1/2019
GB	1041392 A	9/1966	KR	300996066.0000	3/2019
GB	2023550 A	1/1980	KR	102054504 B1	12/2019
GB	2023551 A	1/1980	KR	301037245.0000	12/2019
GB	2032814 A	5/1980	KR	301037251.0000	12/2019
GB	2047073 A	11/1980	KR	301050842.0000	3/2020
GB	2023549 A	9/1992	NL	7504291 A	10/1975
GB	2278874 A	12/1994	NL	8903105 A	7/1991
GB	2291042 A	1/1996	NL	1032860 C1	11/2006
GB	2045135 A	2/1996	RU	00100422 U1	12/2010
GB	2308803 A	7/1997	TR	201708307-0001	2/2018
GB	2289713 B	12/1997	TW	M310869 U	5/2007
GB	2421713 A	7/2006	WO	9400034 A1	1/1994
GB	2438189 A	11/2007	WO	D032061-005	4/1995
GB	2459111 A	10/2009	WO	D035637-003	2/1996
GB	4036176	7/2014	WO	D036648-008	6/1996
GB	4037039	10/2014	WO	9631140 A1	10/1996
GB	2575671 A	1/2020	WO	9748613 A1	12/1997
ID	D0000002662-0001	1/2003	WO	0041937 A1	7/2000
IL	55179 A	7/1981	WO	0168477 A1	9/2001
IN	266778	5/2015	WO	02064445 A1	8/2002
			WO	03041529 A1	5/2003
			WO	04076291 A2	9/2004
			WO	06037302 A1	4/2006
			WO	08001029 A1	1/2008

(56)

References Cited

FOREIGN PATENT DOCUMENTS

WO	2008034603	A1	3/2008
WO	09028960	A1	3/2009
WO	1135559	A1	3/2011
WO	11135559	A1	11/2011
WO	12000497	A1	1/2012
WO	2012029119	A1	3/2012
WO	D078390-004		11/2012
WO	13014670	A1	1/2013
WO	D080557-001		4/2013
WO	2013126851	A1	8/2013
WO	14131214	A1	9/2014
WO	14193073	A1	12/2014
WO	2015040526		3/2015
WO	15087357	A1	6/2015
WO	16072912	A1	5/2016
WO	16091570	A1	6/2016
WO	17088278	A1	6/2017
WO	17091899	A1	6/2017
WO	17192694	A1	11/2017
WO	2017191628	A1	11/2017
WO	2018012675	A1	1/2018
WO	18169478	A1	9/2018
WO	2019238228	A1	12/2019
WO	2020030766	A1	2/2020

OTHER PUBLICATIONS

Pelican Storm Waterproof Case, available Jul. 27, 2009, [online], [site visited Mar. 31, 2018]. Available from internet, <URL: https://www.amazon.com/dp/B002JB07D8?axitk=EjSpVoa9QpKAGqst7rmxMA&pd_rd_i=B002JB07D8&pf_rd_m=ATVDPKIKX0DDER&pf (Year: 2009).

Outdoor Products Small Watertight Dry Box, Blue, available May 31, 2016, [online], [site visited Mar. 31, 2018]. Available from internet, <URL: <https://www.walmart.com/ip/Outdoor-Products-Small-Watertight-Dry-Box-Blue/26674162> (Year: 2016).

Sep. 20, 2018—(WO) International Search Report and Written Opinion—APP. PCT/US2018/037100.
yeti.com, Images of Loadout Bucket Web Page visited on Mar. 17, 2020, at https://www.yeti.com/en_US/buckets/loadout-5-gallon-bucket/YLOB5.html?dwvar_YLOB5_color=white&cgid=buckets#start=1 <https://www.yeti.com/en_US/buckets/loadout-5-gallon-bucket/YLOB5.html?dwvar_YLOB5_color=white&cgid=buckets>.

amazon.com, “Top Shelf Custom Injection Molded ABS Saddlebag Organizer Tray, 2014—Current H-D ABS Hard Bags, LFT by Advanced Accessory Concepts LLC,” visited Oct. 16, 2019 and revisited Jan. 6, 2020 at https://www.amazon.com/Custom-Injection-Molded-Saddlebag-Organizer/dp/B01MQWBM40/ref=sr_1_38?keywords=luggage+hard+removable+liner&qid=1571270714&sr=8-38.

amazon.com, “Pelican Air 1615 Travel Case—Suitcase Luggage (Blue) by Pelican,” visited Oct. 16, 2019 and revisited Jan. 6, 2020 at https://www.amazon.com/Pelican-Air-1615-Travel-Case/dp/B07XGHDK66?ref_=ast_sto_dp.

amazon.com, “Pelican 015100-0050-110 Protector Carry-On Case Black w/ TrekPak Insert: Camera & Photo,” visited Oct. 16, 2019 and revisited Jan. 6, 2020 at [https://www.amazon.com/Pelican-1510TP-Carry-TrekPak-Divider/dp/B01E4E1BFK/ref=sr_1_48?crd=](https://www.amazon.com/Pelican-1510TP-Carry-TrekPak-Divider/dp/B01E4E1BFK/ref=sr_1_48?crd=3CJLVWN9DJ62R&keywords=carry+on+organizer+insert&qid=1571270299&sprefix=carry+on+organizer%2Caps%2C143&sr=8-48)

3CJLVWN9DJ62R&keywords=carry+on+organizer+insert&qid=1571270299&sprefix=carry+on+organizer%2Caps%2C143&sr=8-48.

amazon.com, “Samsonite F’Lite GT 31” Hardside Wheeled Luggage (Vivid Blue),” visited Dec. 16, 2019 and revisited Jan. 7, 2020 at <<https://www.amazon.com/Samsonite-Flite-Spinner-Black-Size/dp/B01LTG2XVC?th=1>> Samsonite F’Lite GT 31” Hardside Wheeled Luggage (Vivid Blue).

alibaba.com, “Removable Spinner Wheels for Suitcase Replacement Suitcase Luggage,” visited Dec. 16, 2019 and revisited Jan. 7, 2020 at https://www.alibaba.com/product-detail/Removable-Spinner-Wheels-For-Suitcase-Replacement_605641600.

amazon.com, “Lockable Tackle Box Fishing Waterproof Fly Fishing Box Double Sided Ice Fishing Tackle Case Box Storage Waterproof: 360 Degree Rubber Gasket, Durable Plastic Construction Double Sided Triangle-Cut For,” visited Dec. 16, 2019 and revisited Jan. 7, 2020 at <<https://www.amazon.com/Lockable-Tackle-Fishing-Waterproof-Storage/dp/B07MFF6S6N>>.

yankodesign.com, “Vacuum Packed Suitcase,” visited Dec. 16, 2019 and revisited Jan. 7, 2020 at <<https://www.yankodesign.com/2011/11/28/vacuum-packed-suitcase/>>.

alibaba.com “Portable Luggage Wheels for Luggage Trolley Bags & Suitcase,” visited Dec. 16, 2019 and revisited Jan. 7, 2020 at https://www.alibaba.com/product-detail/Portable-Luggage-Wheels-for-luggage-Trolley_1854722793.html.

northerntool.com, “Dewalt 28in. Wheeled Toolbox, Model# DWST28100,” visited on Apr. 6, 2020 at https://www.northerntool.com/shop/tools/product_200726534_200726534.

walmart.com, “Sterilite 151L Black Wheeled Industrial Tote,” visited on Apr. 6, 2020 at <https://www.walmart.ca/en/p/sterilite-151l-black-wheeled-industrial-tote/6000195957310>.

globalindustrial.com, “Contico UK3725-4 Rolling Pro Tuff Work Box,” visited on Apr. 6, 2020 at <https://www.globalindustrial.com/p/tools/tool-storage/Jo-Site/rolling-pro-tuff-work-box?infoParam.campaignId=T9F>.

amazon.com, “Grey: Akro-Mils 33105 Akro-Grid Slotted Divider Plastic Tote Box,” visited on Apr. 6, 2020 at <https://www.amazon.in/Grey-Akro-Mils-Akro-Grid-Slotted-Divider/dp/B004C044VU>.

globalindustrial.com, “Global Industrial™ Plastic Dividable Grid Container,” visited on Apr. 6, 2020 at <https://www.globalindustrial.com/p/storage/bins-totes-containers/dividable-grid/grid-wall-bin-stackable-1>.

globalindustrial.com, “Straight Wall Container Solid,” visited on Apr. 6, 2020 at <https://www.globalindustrial.com/p/storage/bins-totes-containers/stacking-containers/straight-wall-container-12x7-2-5x5>.

Lowe’s, “Craftsman 37-in Black Plastic Wheels Lockable Tool Box,” <https://www.lowes.com/pd/CRAFTSMAN-37-in-Black-Plastic-Wheeled-Lockable-Tool-Box/1000578337>.

Home Depot, “Husky 37 in. Rolling Tool Box Utility Cart Black,” <<https://www.homedepot.com/p/Husky-37-in-Rolling-Tool-Box-Utility-Cart-Black-209261/203668066>>.

B&H, “Nanuk 960 Protective Rolling Case with Dividers and Organizer (Black),” https://www.bhphotovideo.com/c/product/1504703-REG/nanuk_960_6001_960_waterproof_hard_case.html.

Toolguyd, “Milwaukee Packout Tool Boxes and Storage System, in Photos,” <https://toolguyd.com/milwaukee-backout-tool-boxes-photo-introduction/>.

May 12, 2020—(WO) Partial International Search—PCT/US2020/012404.

* cited by examiner

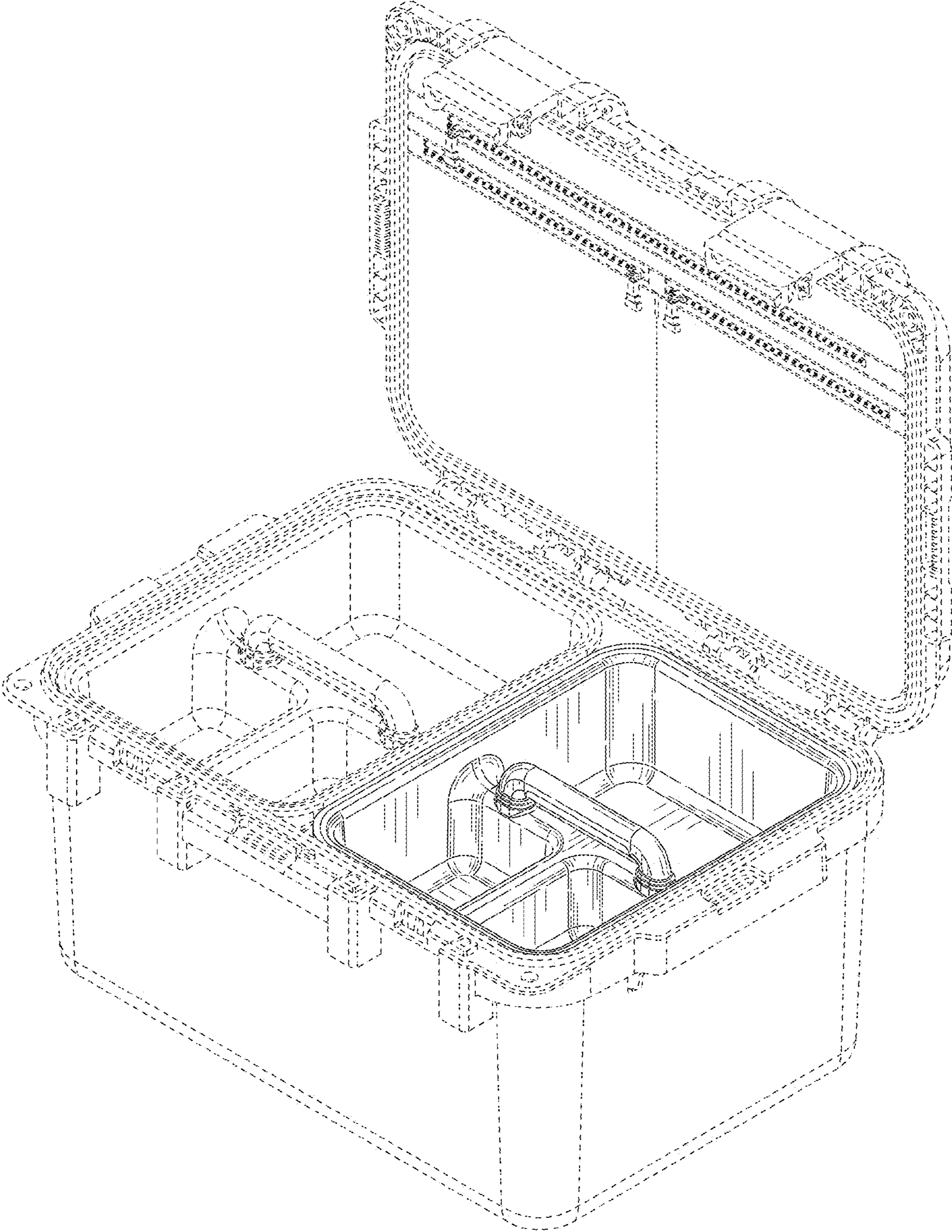


FIG. 1

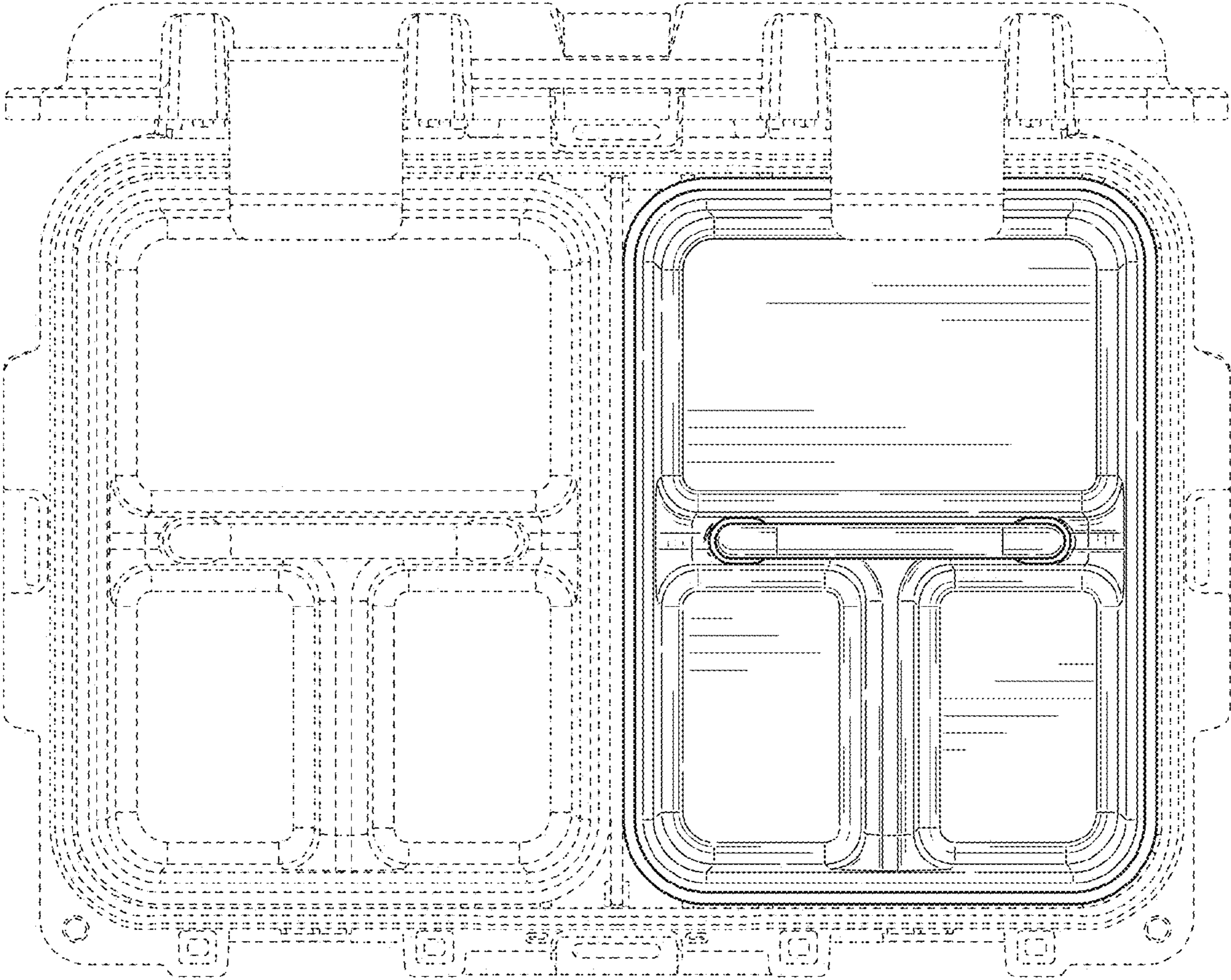


FIG. 2

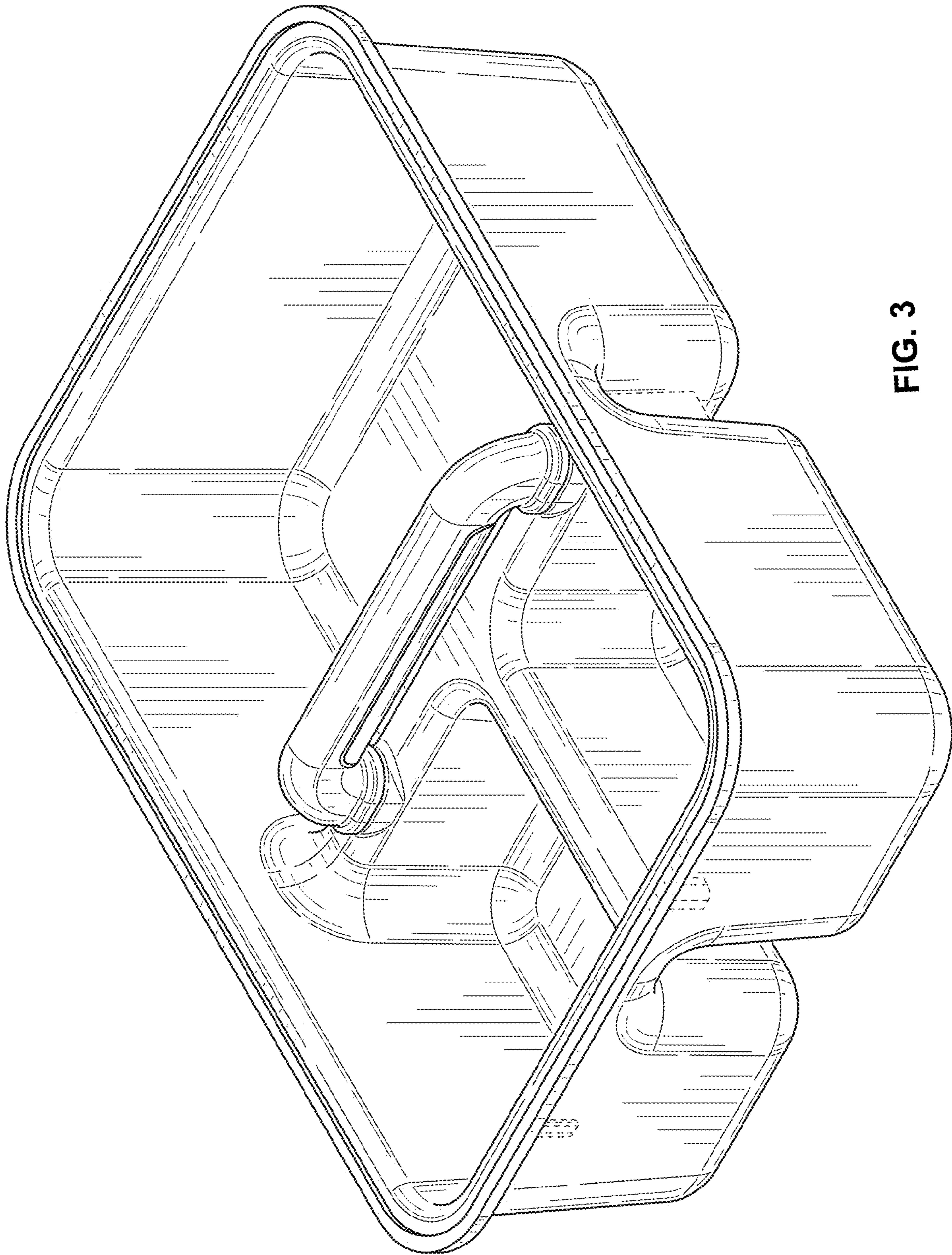


FIG. 3

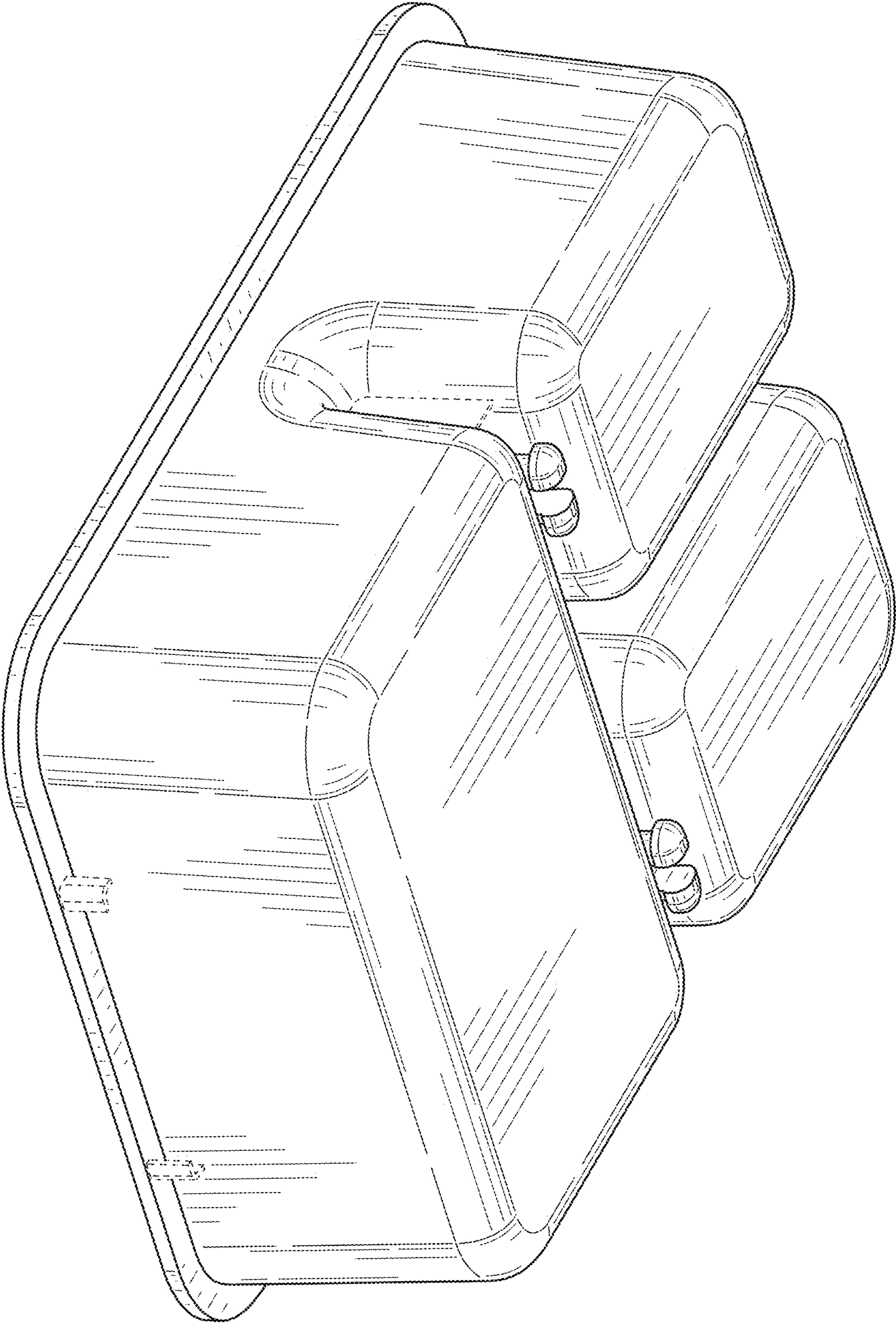


FIG. 4

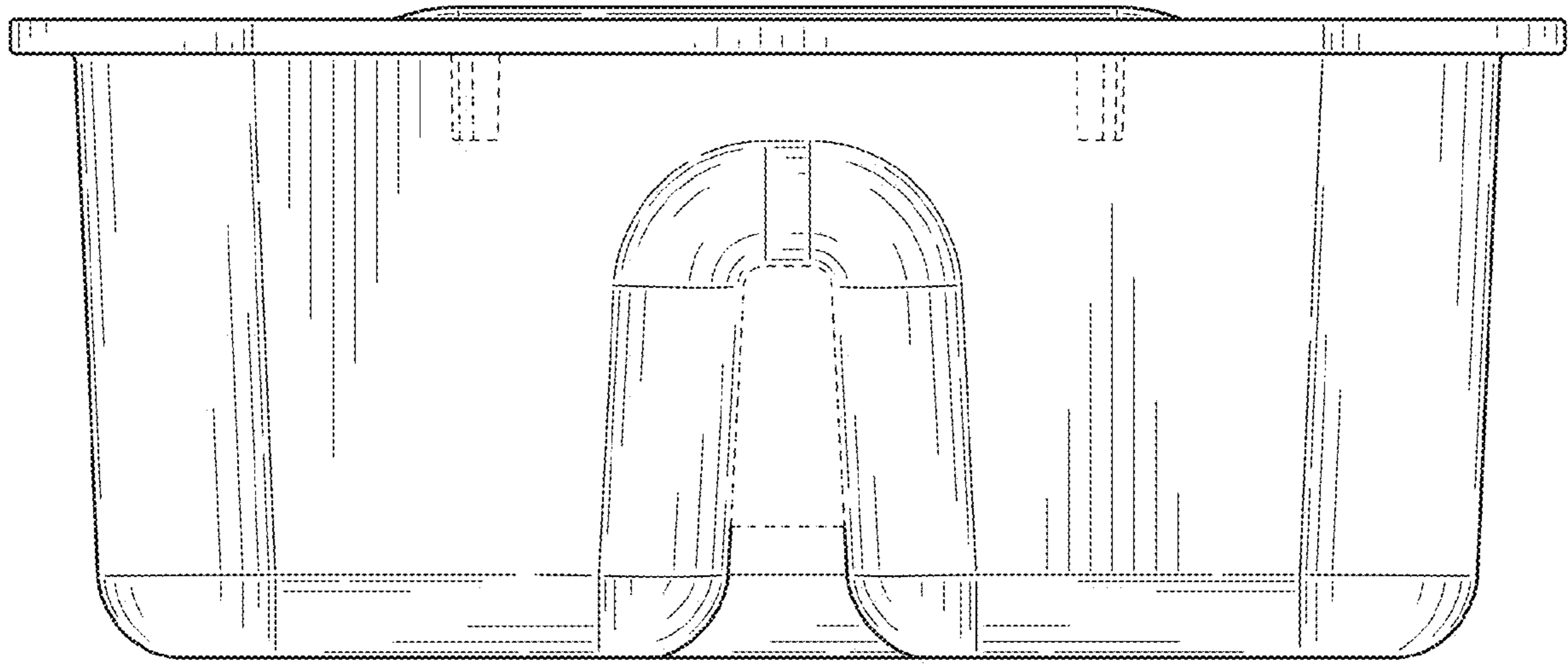


FIG. 5

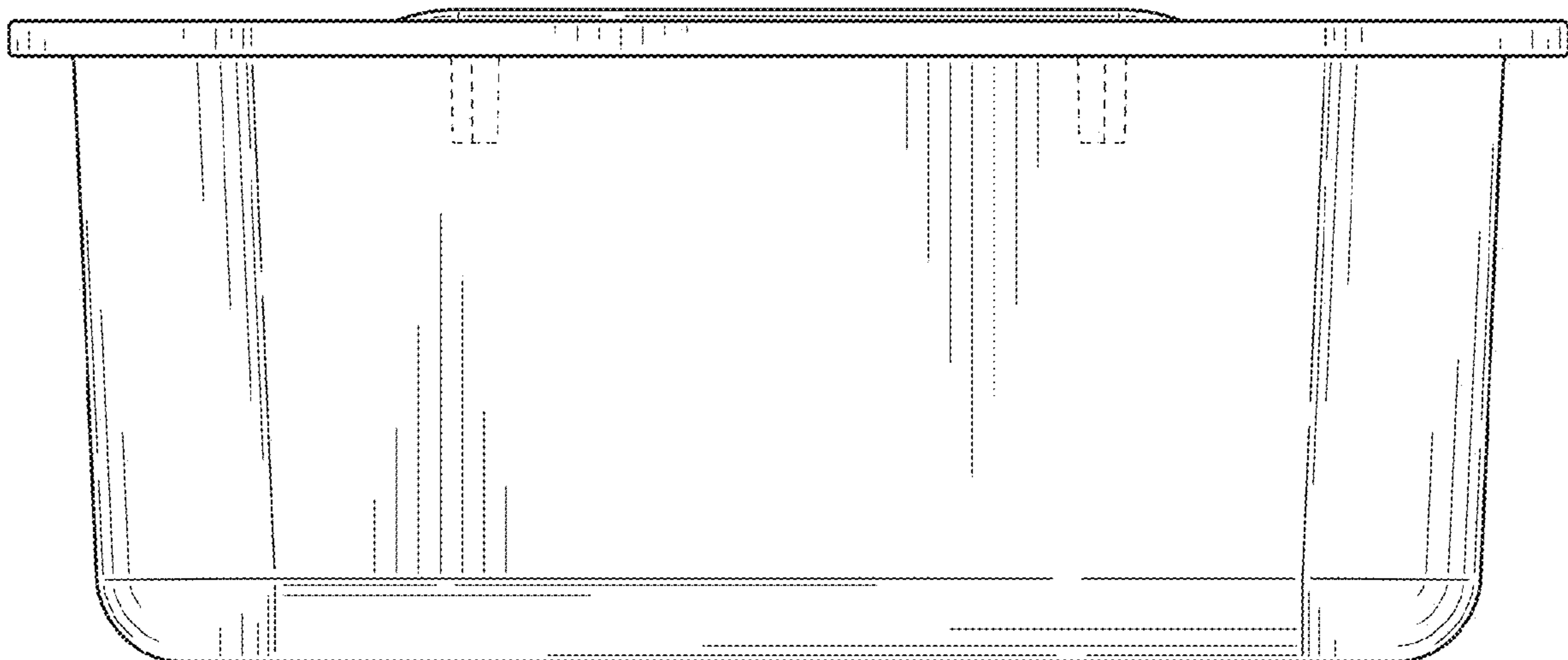


FIG. 6

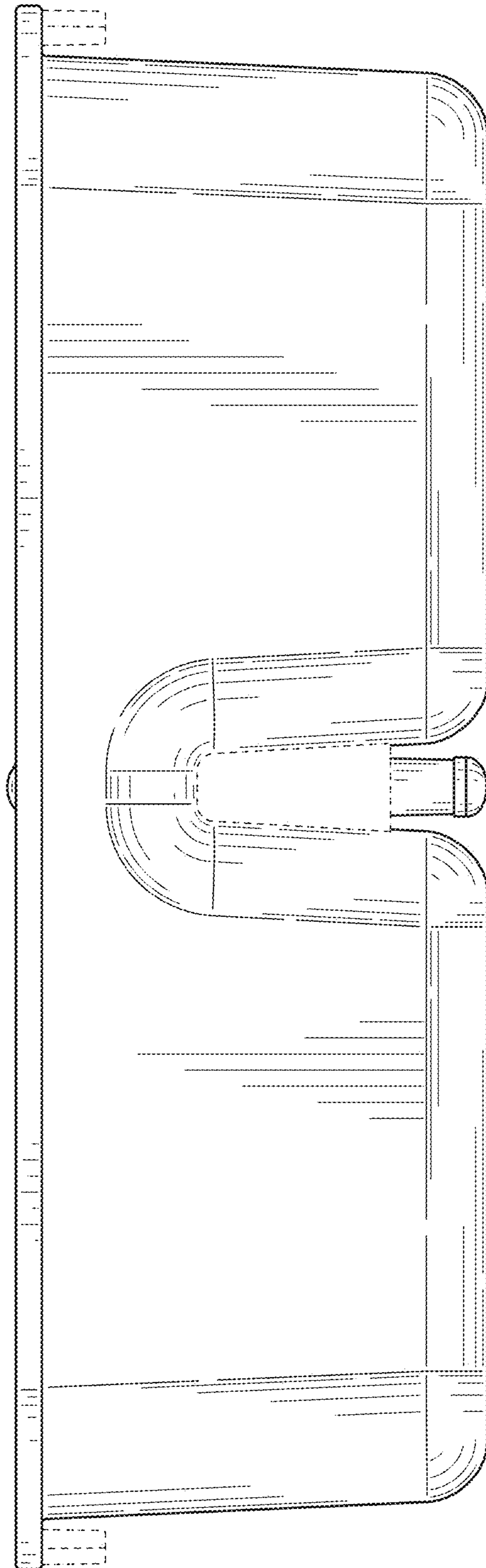


FIG. 7

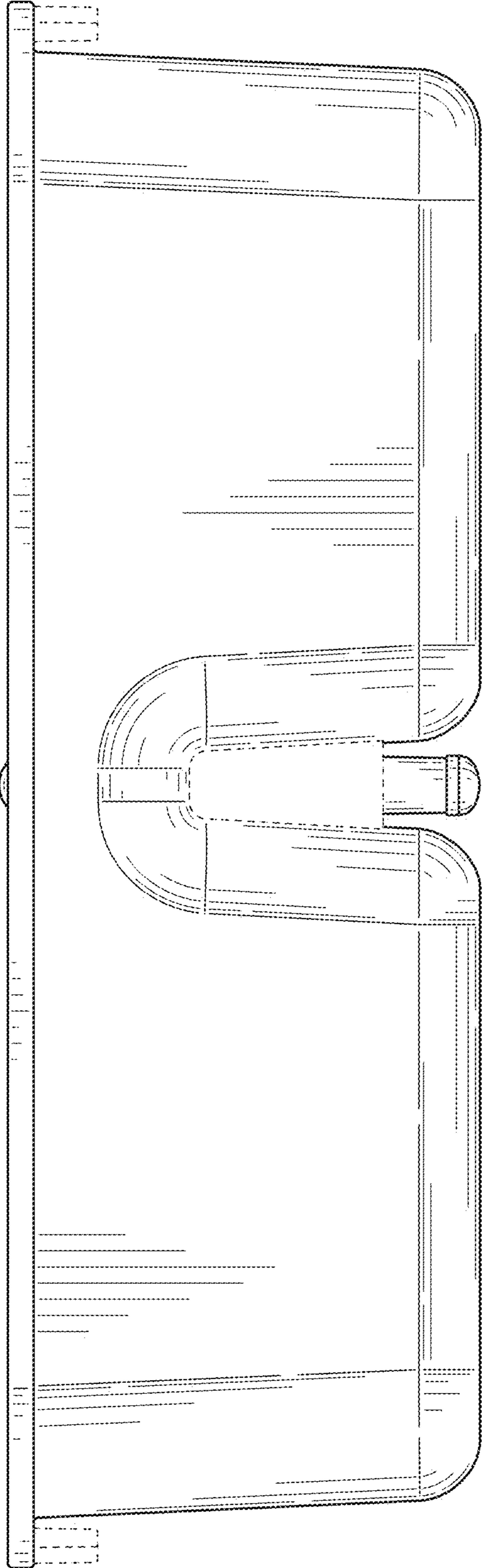


FIG. 8

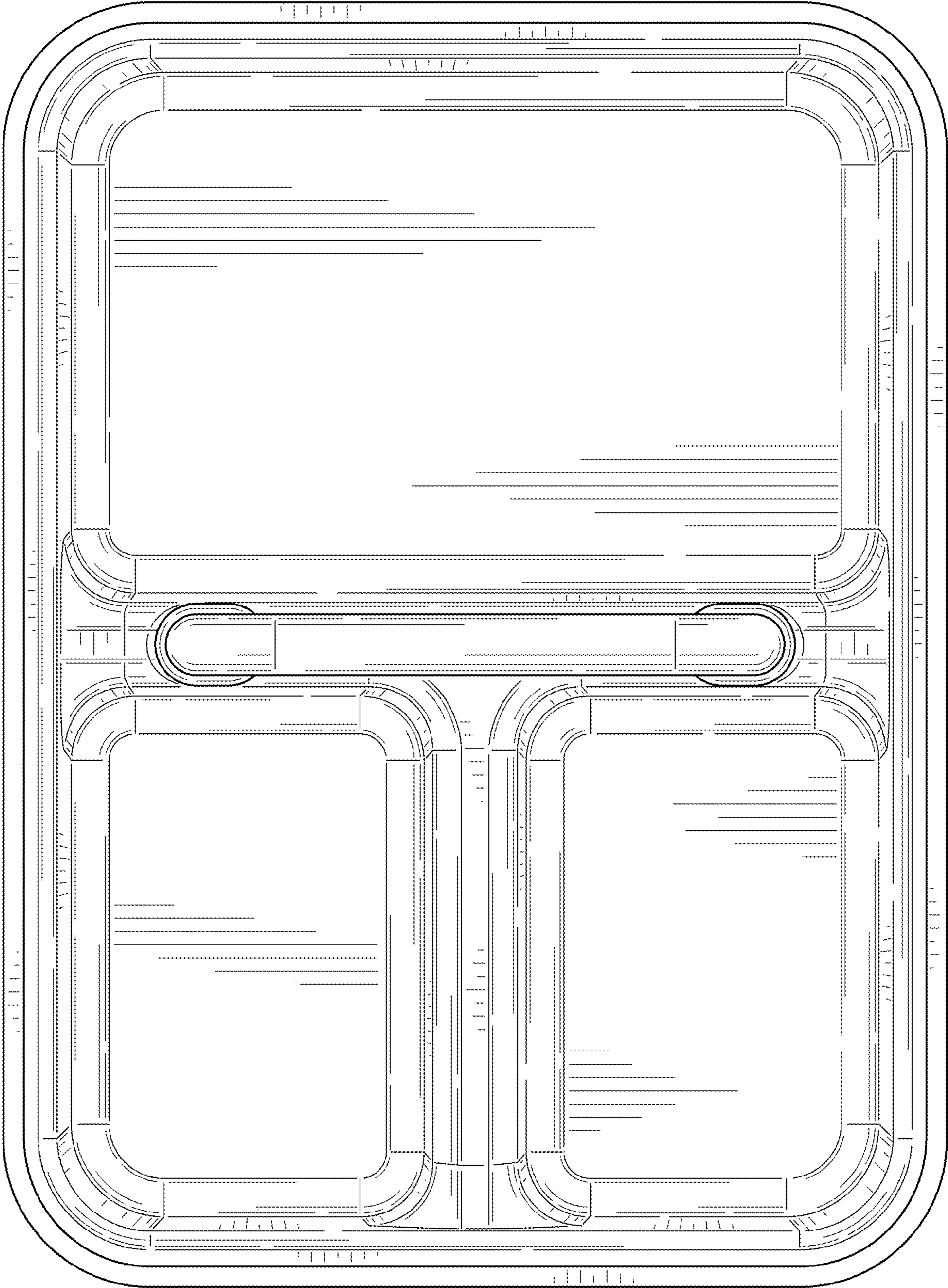


FIG. 9

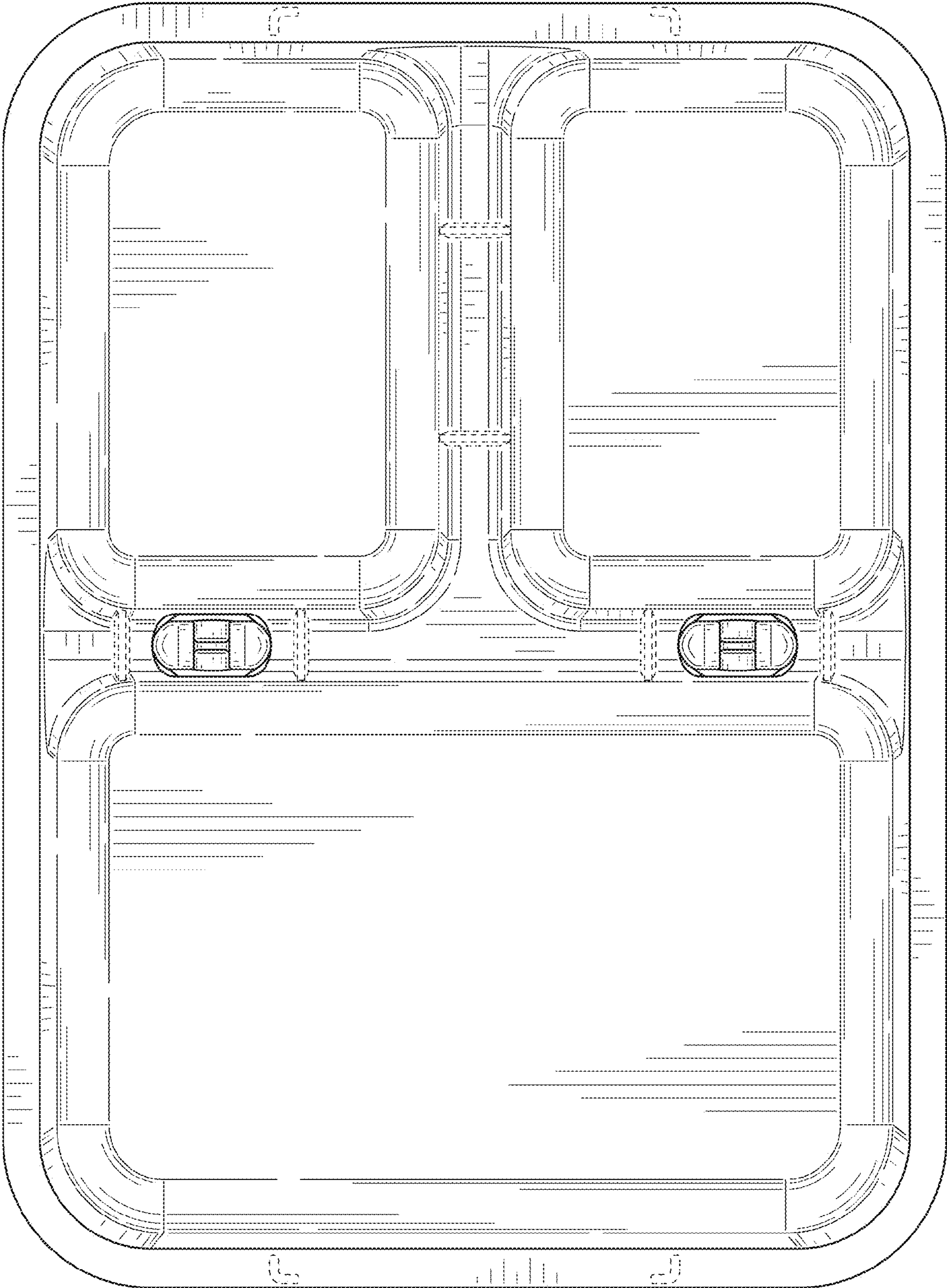


FIG. 10

UNITED STATES PATENT AND TRADEMARK OFFICE
CERTIFICATE OF CORRECTION

PATENT NO. : D929,814 S
APPLICATION NO. : 29/757384
DATED : September 7, 2021
INVENTOR(S) : Nichols et al.

Page 1 of 1

It is certified that error appears in the above-identified patent and that said Letters Patent is hereby corrected as shown below:

On the Title Page

Page 10, Column 2, item [56], Foreign Patent Documents, Line 66:

Delete "00410048-0001" and insert --004100048-0001--

Signed and Sealed this
Third Day of May, 2022



Katherine Kelly Vidal
Director of the United States Patent and Trademark Office