



US00D929813S

(12) **United States Design Patent** (10) **Patent No.:** **US D929,813 S**  
**Stanford et al.** (45) **Date of Patent:** **\*\* Sep. 7, 2021**

(54) **COOLER**

- (71) Applicant: **LIFETIME PRODUCTS, INC.**,  
Clearfield, UT (US)
- (72) Inventors: **Carl R. Stanford**, Clearfield, UT (US);  
**Robert A. Astle**, Farmington, UT (US)
- (73) Assignee: **Lifetime Products, Inc.**, Clearfield, UT  
(US)
- (\*\*) Term: **15 Years**
- (21) Appl. No.: **29/744,331**
- (22) Filed: **Jul. 28, 2020**

**Related U.S. Application Data**

- (63) Continuation of application No. 29/644,909, filed on  
Apr. 20, 2018, now Pat. No. Des. 891,193, which is  
a continuation of application No. 29/602,023, filed on  
Apr. 27, 2017, now Pat. No. Des. 816,425.
- (51) **LOC (13) Cl.** ..... **07-01**
- (52) **U.S. Cl.**  
USPC ..... **D7/605**
- (58) **Field of Classification Search**  
USPC ..... D7/605-607, 709, 710; D3/283, 289,  
D3/301, 272-274, 201, 203.1-203.8  
CPC ..... F25D 3/08; F25D 3/02; F25D 3/04; F25D  
3/06; F25D 3/14; F25D 3/107; F25D  
2331/804; F25D 2331/801; B65D 81/38;  
B65D 81/3813; B65D 81/3816; B65D  
81/3818; B65D 81/382; B65D 81/3823;  
B65D 81/3825; B65D 81/3827; B65D  
81/383; B65D 81/3832; B65D 81/3834;  
B65D 81/3848; B65D 81/3851; B65D  
81/3853; B65D 81/3855; B65D 81/3858;  
B65D 81/386; B65D 81/3862; A45C  
11/20; A45C 3/00

See application file for complete search history.

(56) **References Cited**

**U.S. PATENT DOCUMENTS**

D281,695 S *	12/1985	Ryan, Jr. ....	D7/605
4,592,482 A *	6/1986	Seager .....	A45C 11/20 220/318
D325,323 S *	4/1992	Kahl .....	D7/605
D354,419 S *	1/1995	Kahl .....	D7/605
D374,772 S *	10/1996	Hotaling .....	D3/273
D429,966 S *	8/2000	Israel .....	D7/605
D451,765 S *	12/2001	Israel .....	D7/605
D566,479 S *	4/2008	Kabalin .....	D3/273
D806,483 S	1/2018	Stanford	
D816,425 S	5/2018	Stanford	
D851,462 S	6/2019	Stanford	
10,605,515 B2	3/2020	Stanford	
D891,193 S	7/2020	Stanford	
D891,194 S	7/2020	Stanford	

(Continued)

**OTHER PUBLICATIONS**

U.S. Appl. No. 29/744,333, filed Jul. 28, 2020.

(Continued)

*Primary Examiner* — Terry A Wallace

(74) *Attorney, Agent, or Firm* — Maschoff Brennan

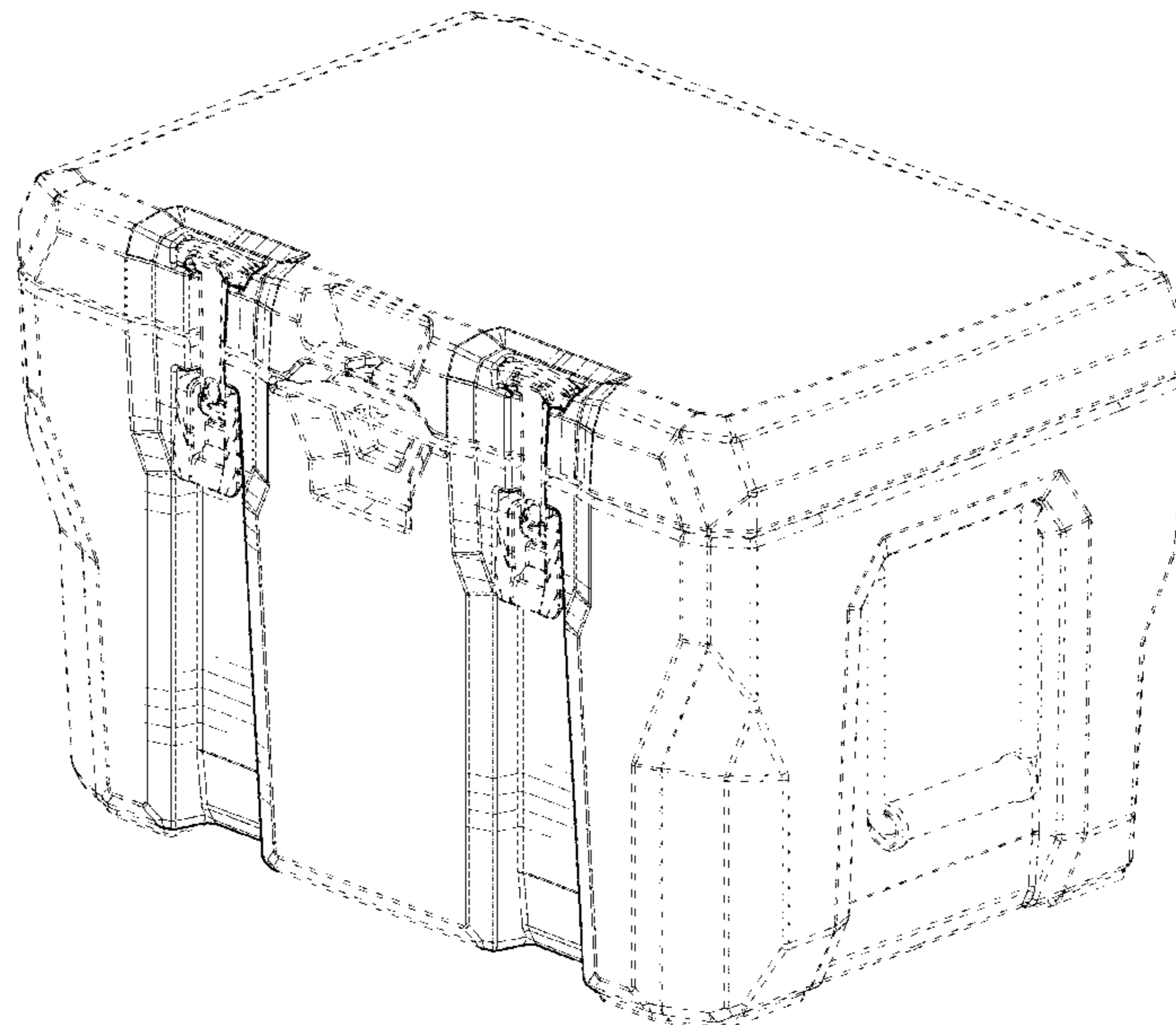
(57) **CLAIM**

The ornamental design for a cooler, as shown and described.

**DESCRIPTION**

FIG. 1 is an upper perspective view of a cooler;  
 FIG. 2 is a lower perspective view of the cooler;  
 FIG. 3 is a front view of the cooler;  
 FIG. 4 is a top view of the cooler; and,  
 FIG. 5 is a bottom view of the cooler.  
 The broken lines are for illustrative purposes only and form  
 no part of the claimed design.

**1 Claim, 5 Drawing Sheets**



(56)

**References Cited**

U.S. PATENT DOCUMENTS

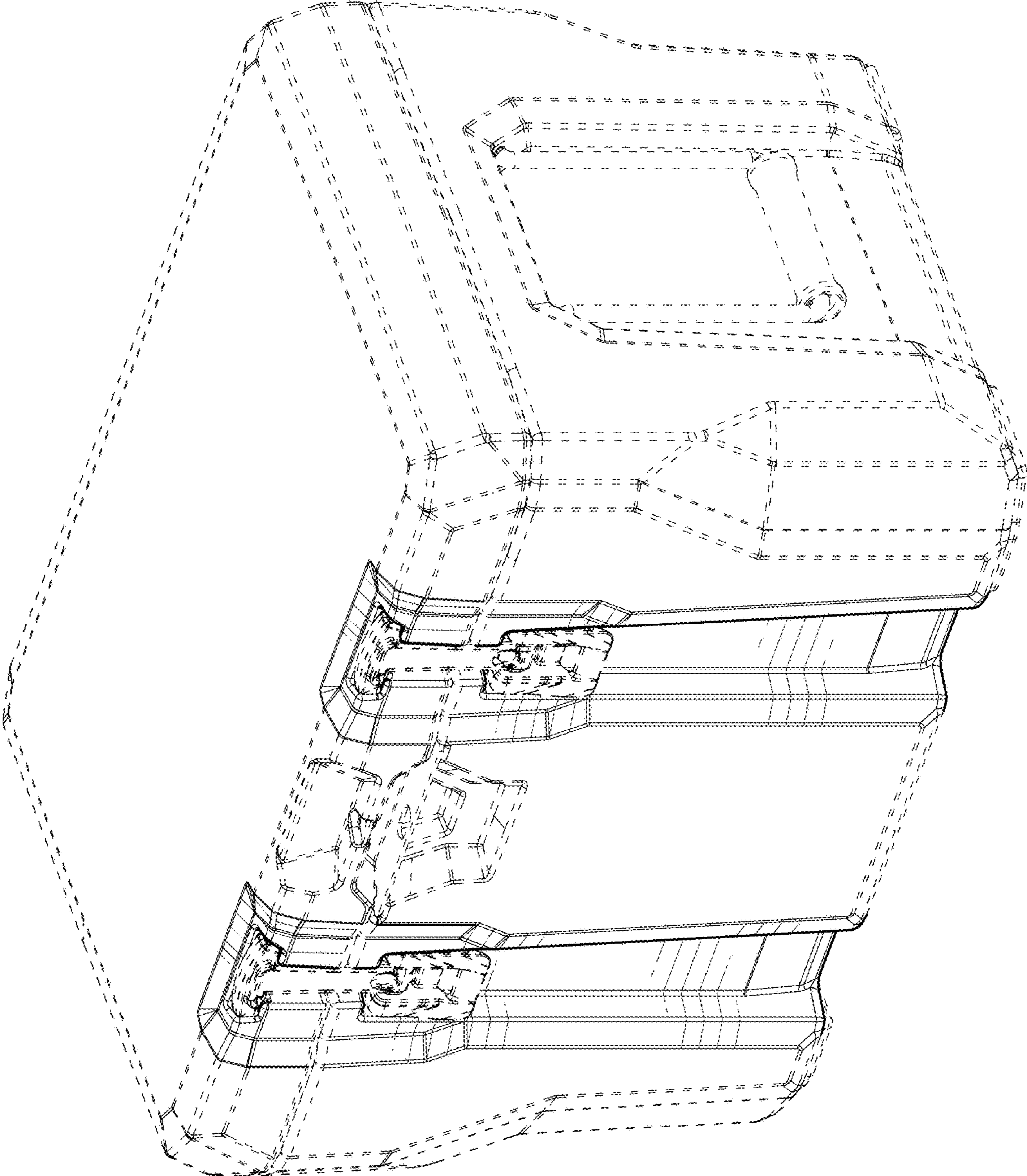
D892,565 S      8/2020   Astle  
D904,129 S      12/2020   Astle

OTHER PUBLICATIONS

U.S. Appl. No. 29/677,028, filed Jan. 16, 2019.  
U.S. Appl. No. 29/677,025, filed Jan. 16, 2019.  
U.S. Appl. No. 29/688,014, filed Apr. 17, 2019.  
U.S. Appl. No. 29/713,735, filed Nov. 18, 2019.  
U.S. Appl. No. 29/730,693, filed Apr. 7, 2020.  
U.S. Appl. No. 29/652,414, filed Aug. 10, 2020.  
U.S. Appl. No. 29/652,414, Restriction Requirement dated Feb. 2,  
2021.  
U.S. Appl. No. 29/744,333, Restriction Requirement dated Feb. 2,  
2021.

\* cited by examiner

1/5



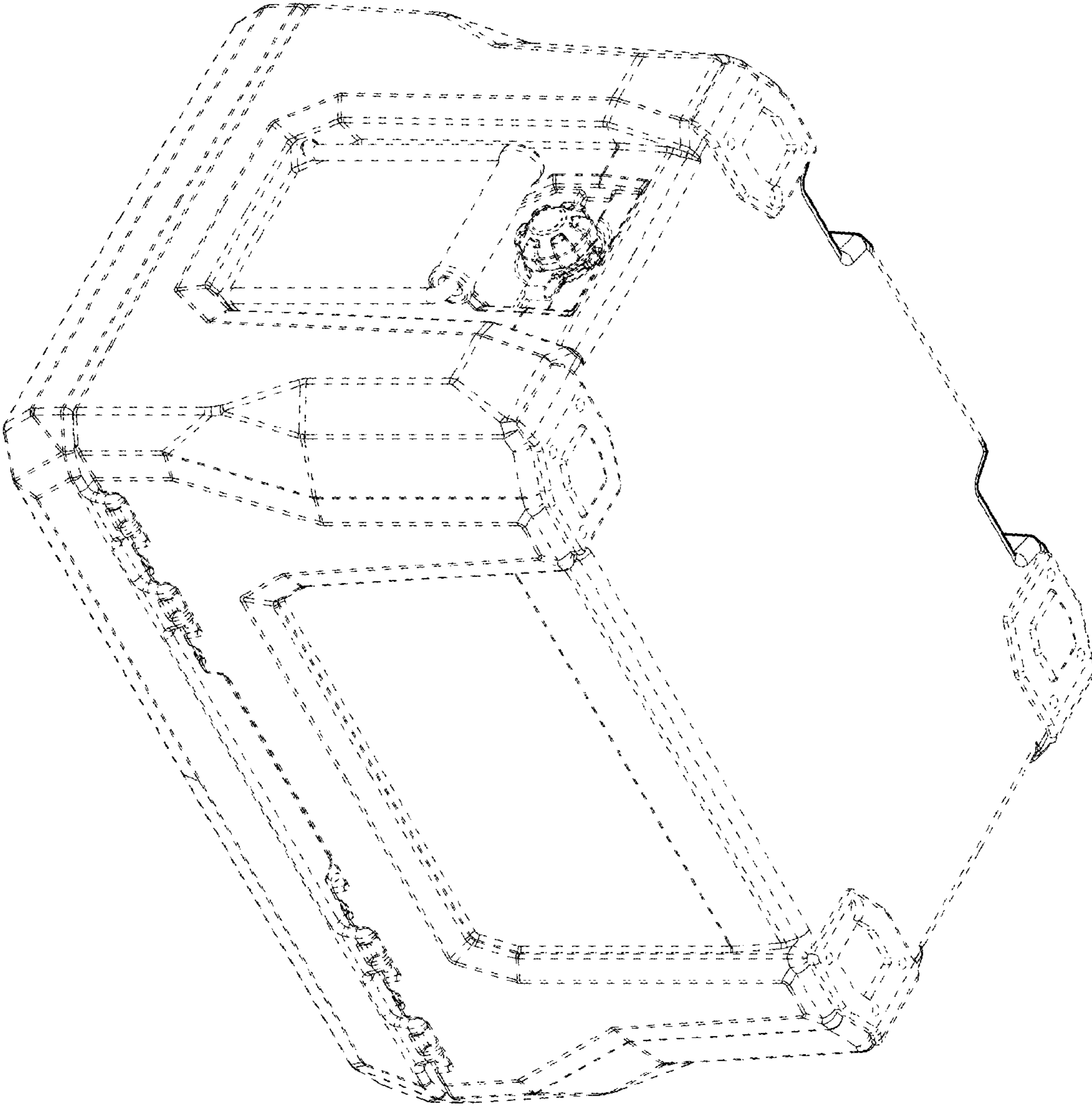


FIG. 2

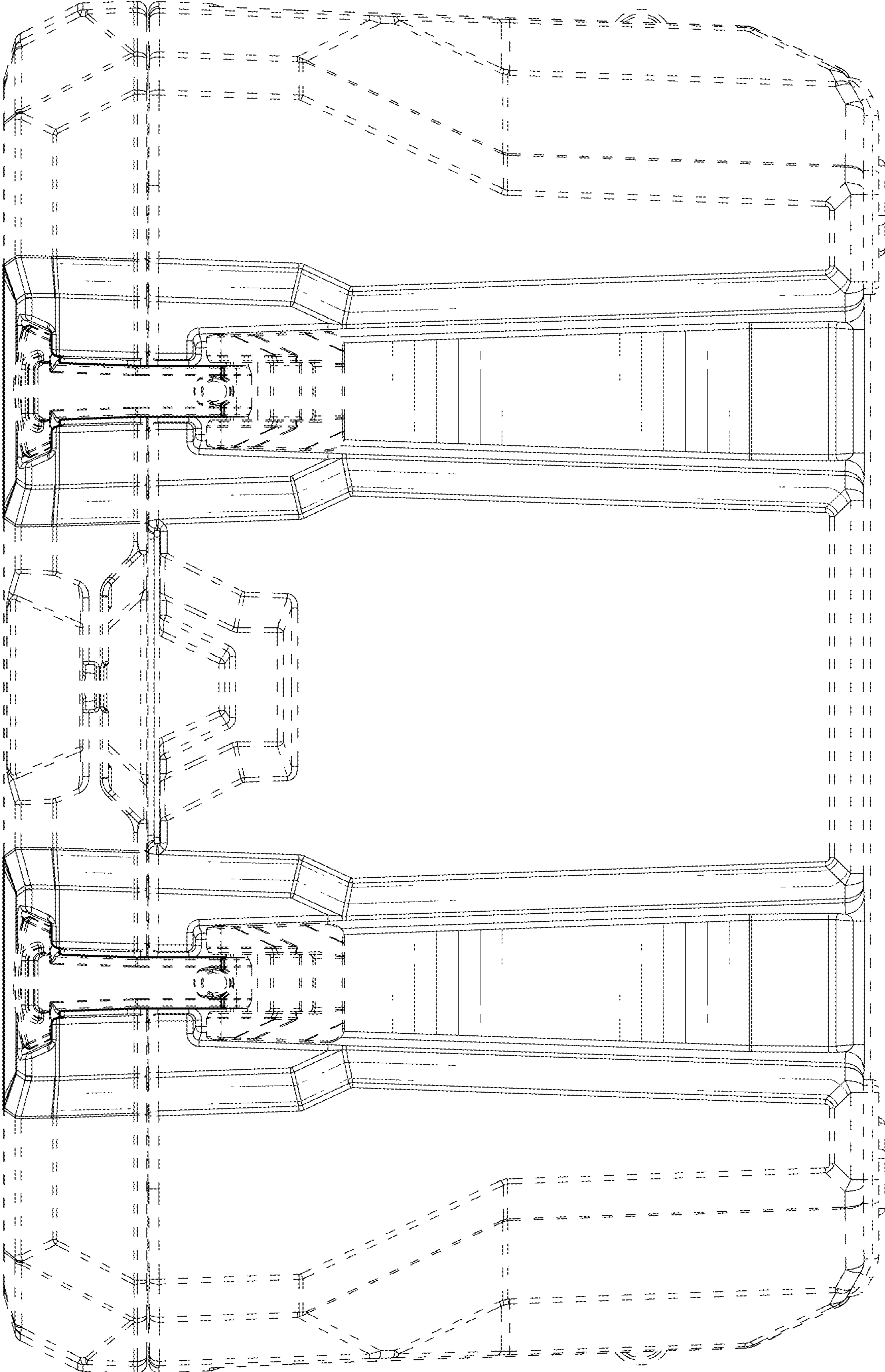


FIG. 3

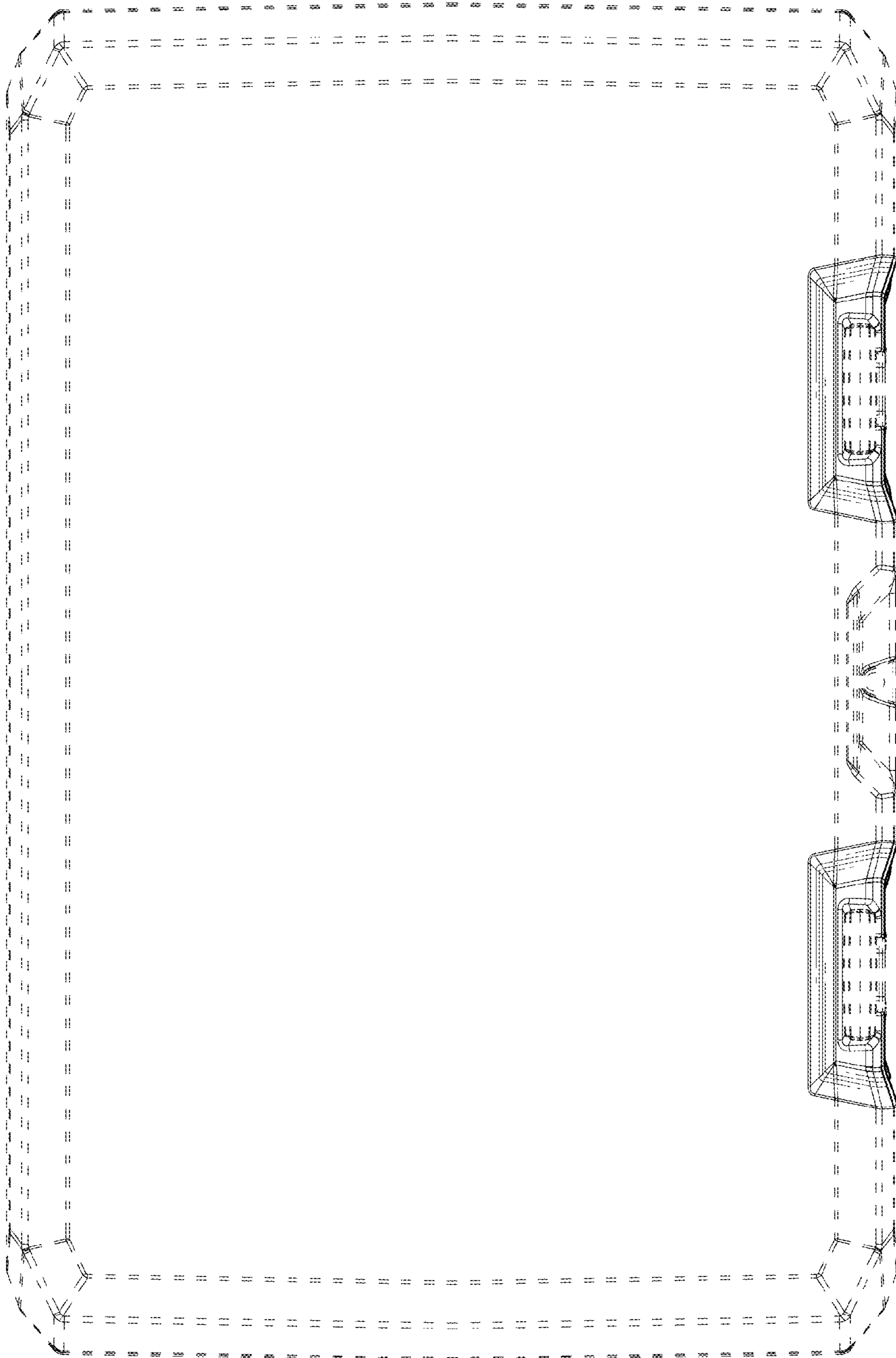


FIG. 4

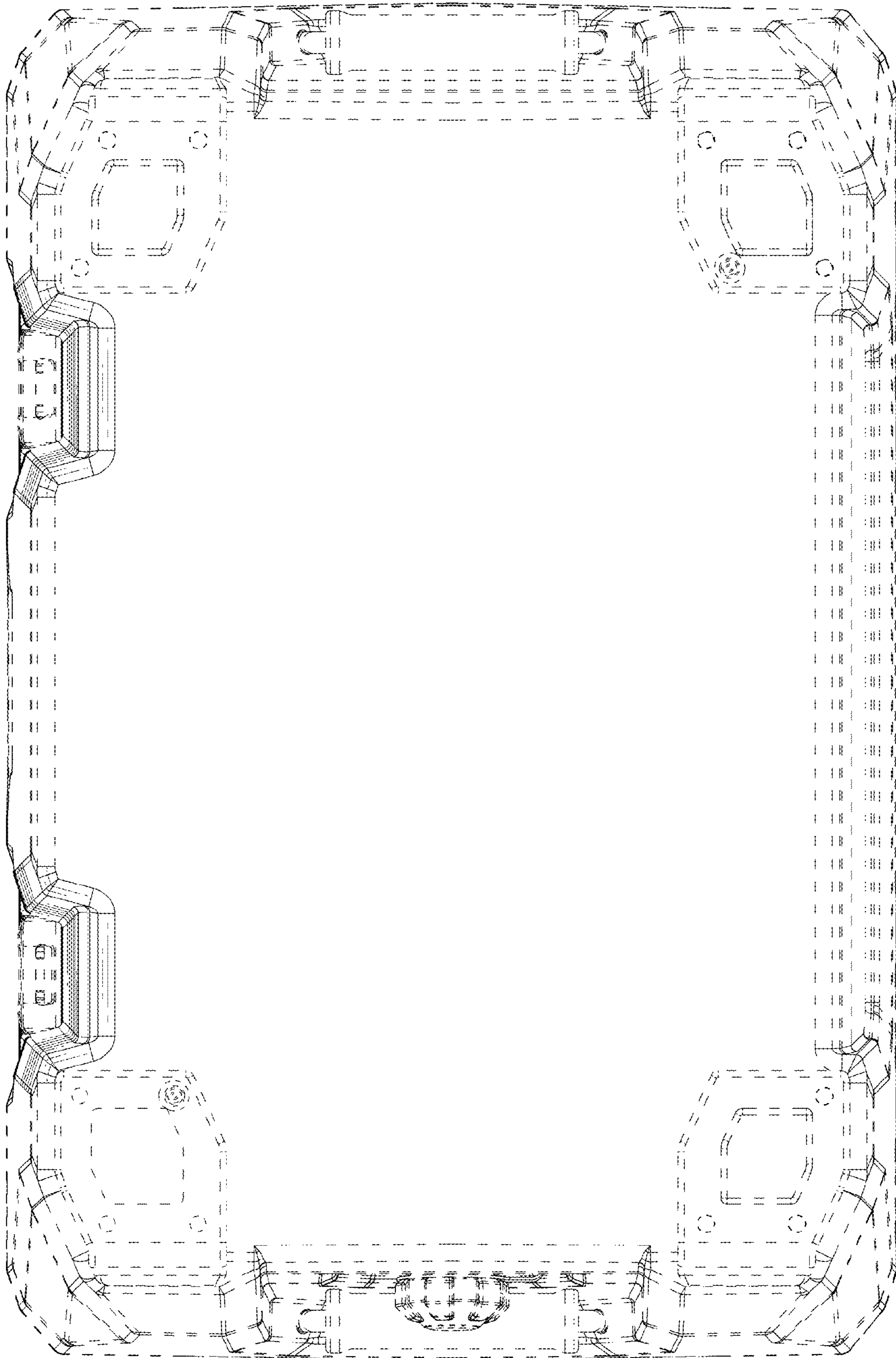


FIG. 5