



US00D929812S

(12) **United States Design Patent** (10) **Patent No.:** **US D929,812 S**
Keeble et al. (45) **Date of Patent:** **** Sep. 7, 2021**

(54) **COOLER**

(71) Applicant: **THE HC COMPANIES, INC.**,
Twinsburg, OH (US)

(72) Inventors: **Drew Keeble**, Twinsburg, OH (US);
Jason Brooker, Aurora, OH (US)

(73) Assignee: **THE HC COMPANIES, INC.**,
Twinsburg, OH (US)

(**) Term: **15 Years**

(21) Appl. No.: **29/717,051**

(22) Filed: **Dec. 13, 2019**

(51) **LOC (13) Cl.** **07-01**

(52) **U.S. Cl.**
USPC **D7/605**

(58) **Field of Classification Search**

USPC D7/605, 606, 607; D3/287, 276, 289,
D3/283, 291, 272-274, 201, 203.1-203.8
CPC B65D 81/3897; B65D 81/38; B65D
81/3813; B65D 81/3816; B65D 81/3818;
B65D 81/382; B65D 81/3823; B65D
81/3825; B65D 81/3827; B65D 81/383;
B65D 81/3832; B65D 81/3834; B65D
81/3848; B65D 81/3851; B65D 81/3853;
B65D 81/3855; B65D 81/3858; B65D
81/386; B65D 81/3862; F25D 3/08; F25D
3/02; F25D 3/04; F25D 3/06; F25D 3/14;
F25D 3/107; F25D 2331/804; F25D
2331/801; A45C 11/20; A45C 3/00; A45C
2003/008

See application file for complete search history.

(56) **References Cited**

U.S. PATENT DOCUMENTS

D215,959 S * 11/1969 Kelso D12/316
D290,674 S * 7/1987 Valov D27/134

(Continued)

Primary Examiner — Terry A Wallace

(74) *Attorney, Agent, or Firm* — Tucker Ellis LLP

(57) **CLAIM**

The ornamental design for a cooler, as shown and described.

DESCRIPTION

FIG. 1 is a front-left side-top perspective view of a cooler showing our new design.

FIG. 2 is a rear-right side-bottom perspective view thereof;

FIG. 3 is a front view thereof;

FIG. 4 is a rear view thereof;

FIG. 5 is a left side view thereof;

FIG. 6 is a right side view thereof;

FIG. 7 is a top view thereof;

FIG. 8 is a bottom view thereof;

FIG. 9 is a front-left side-top perspective view of the cooler with a lid removed;

FIG. 10 is a rear-right side-bottom perspective view thereof;

FIG. 11 is a front view thereof;

FIG. 12 is a rear view thereof;

FIG. 13 is a left side view thereof;

FIG. 14 is a right side view thereof;

FIG. 15 is a top view thereof;

FIG. 16 is a bottom view thereof;

FIG. 17 is a front-left side-top perspective view of the lid;

FIG. 18 is a rear-right side-bottom perspective view thereof;

FIG. 19 is a front view thereof;

FIG. 20 is a rear view thereof;

FIG. 21 is a left side view thereof;

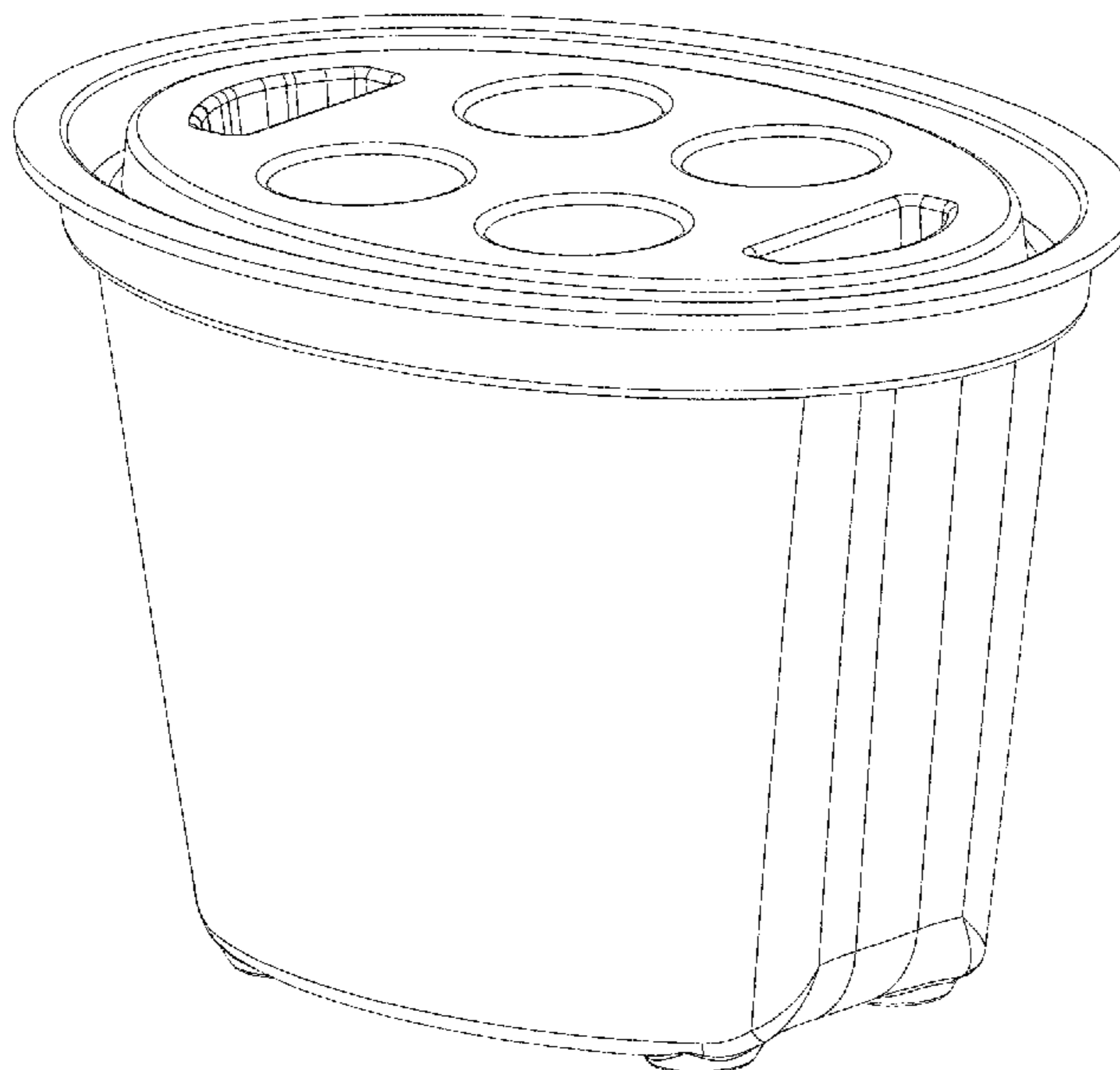
FIG. 22 is a right side view thereof;

FIG. 23 is a top view thereof; and,

FIG. 24 is a bottom view thereof.

The bottom portion of the cooler and the lid are shown separately for clarity of illustration.

1 Claim, 13 Drawing Sheets



(56)

References Cited

U.S. PATENT DOCUMENTS

D494,021 S * 8/2004 Huthmaker D7/605
D836,993 S * 1/2019 Meda D7/605
2017/0347837 A1* 12/2017 Stevens B65D 51/26

* cited by examiner

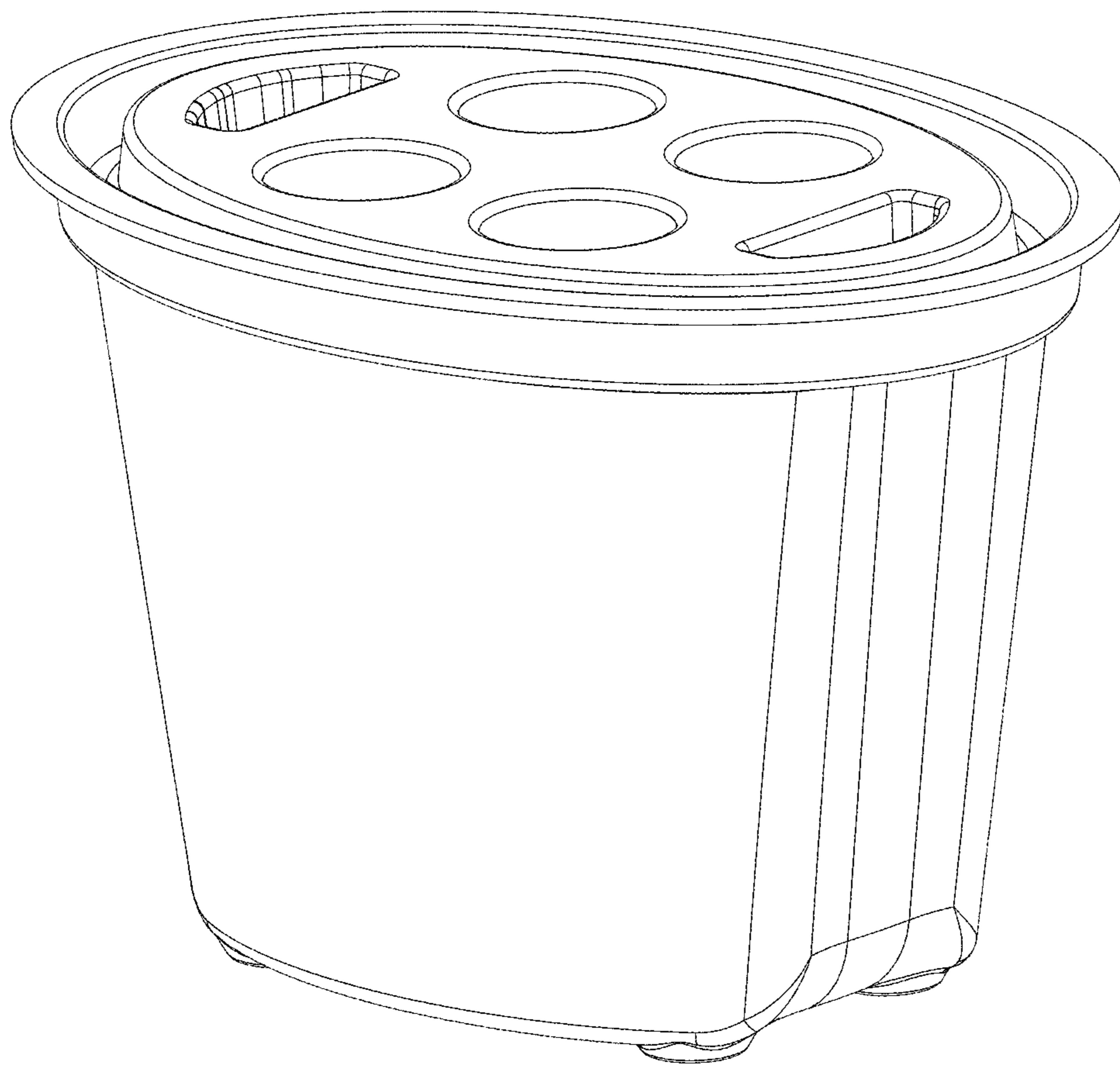


FIG. 1

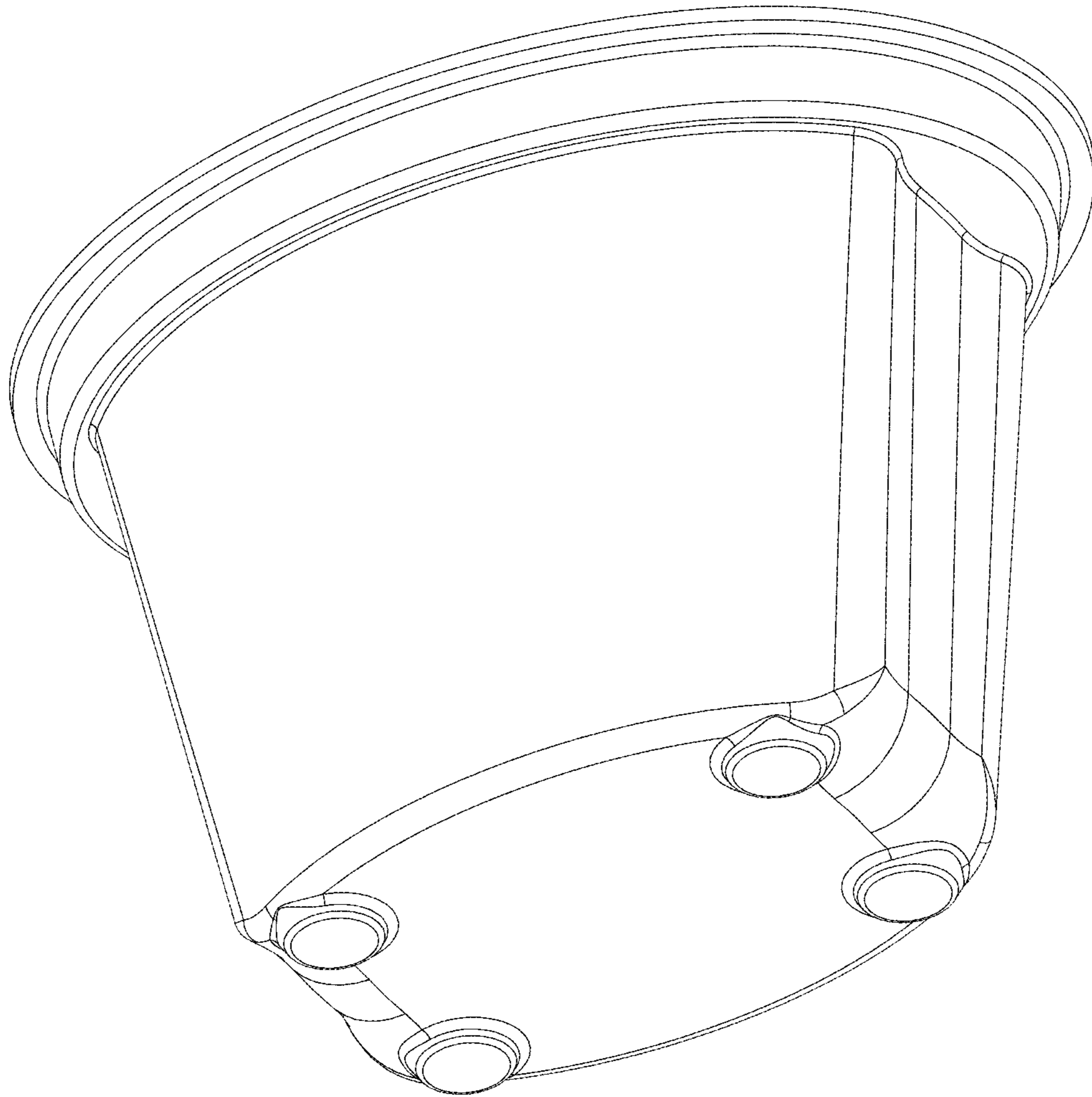


FIG. 2

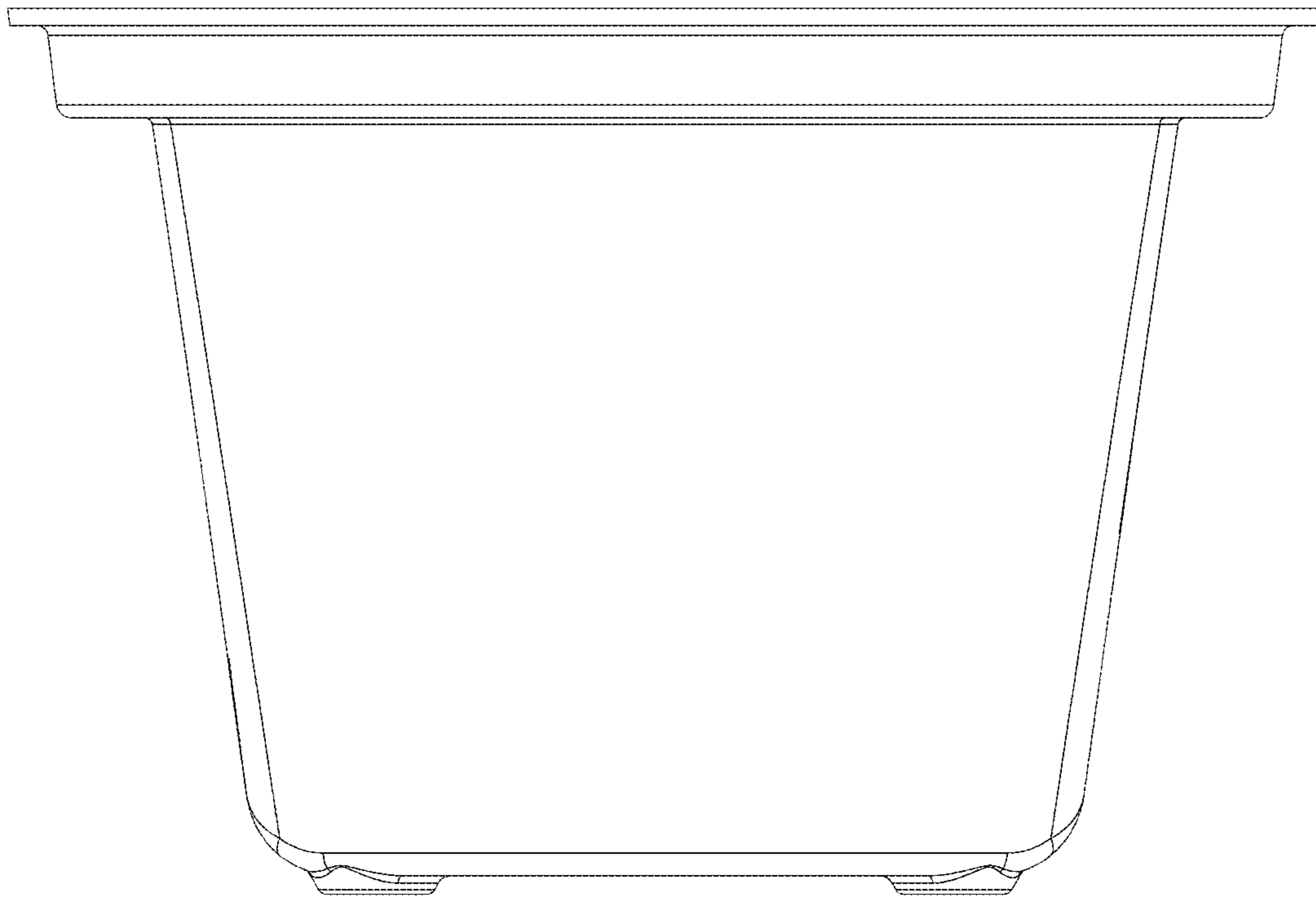


FIG. 3

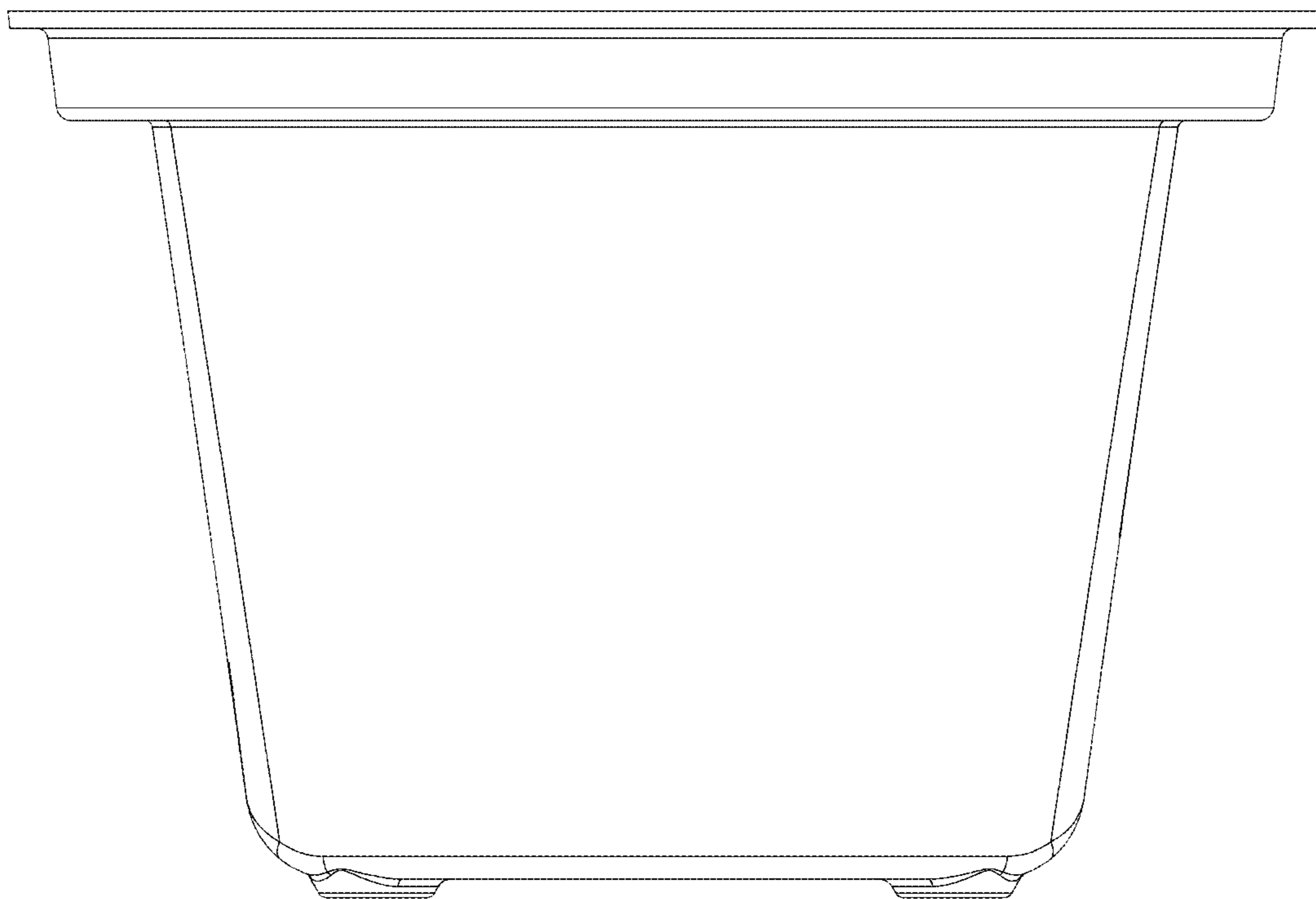


FIG. 4

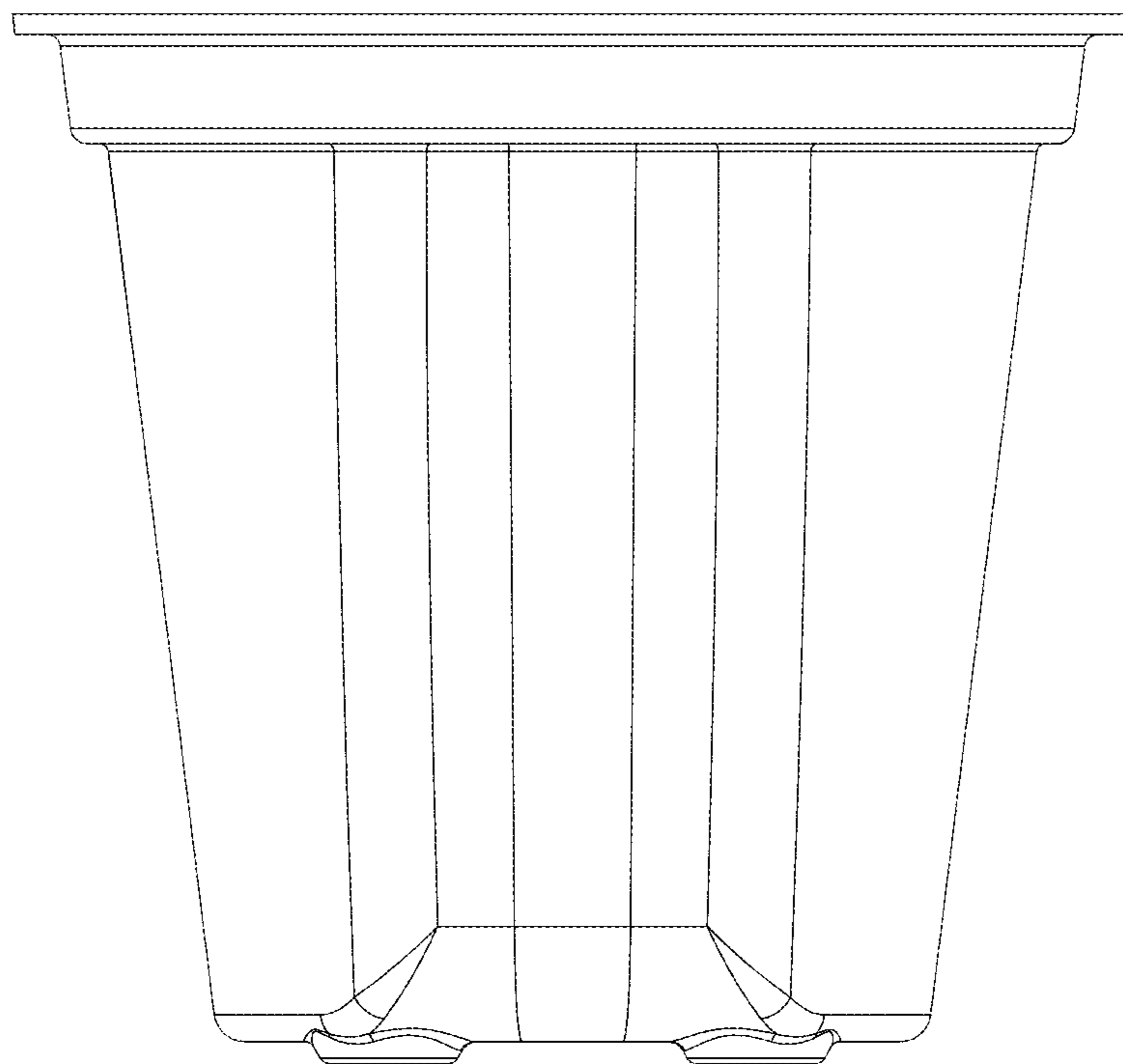


FIG. 5

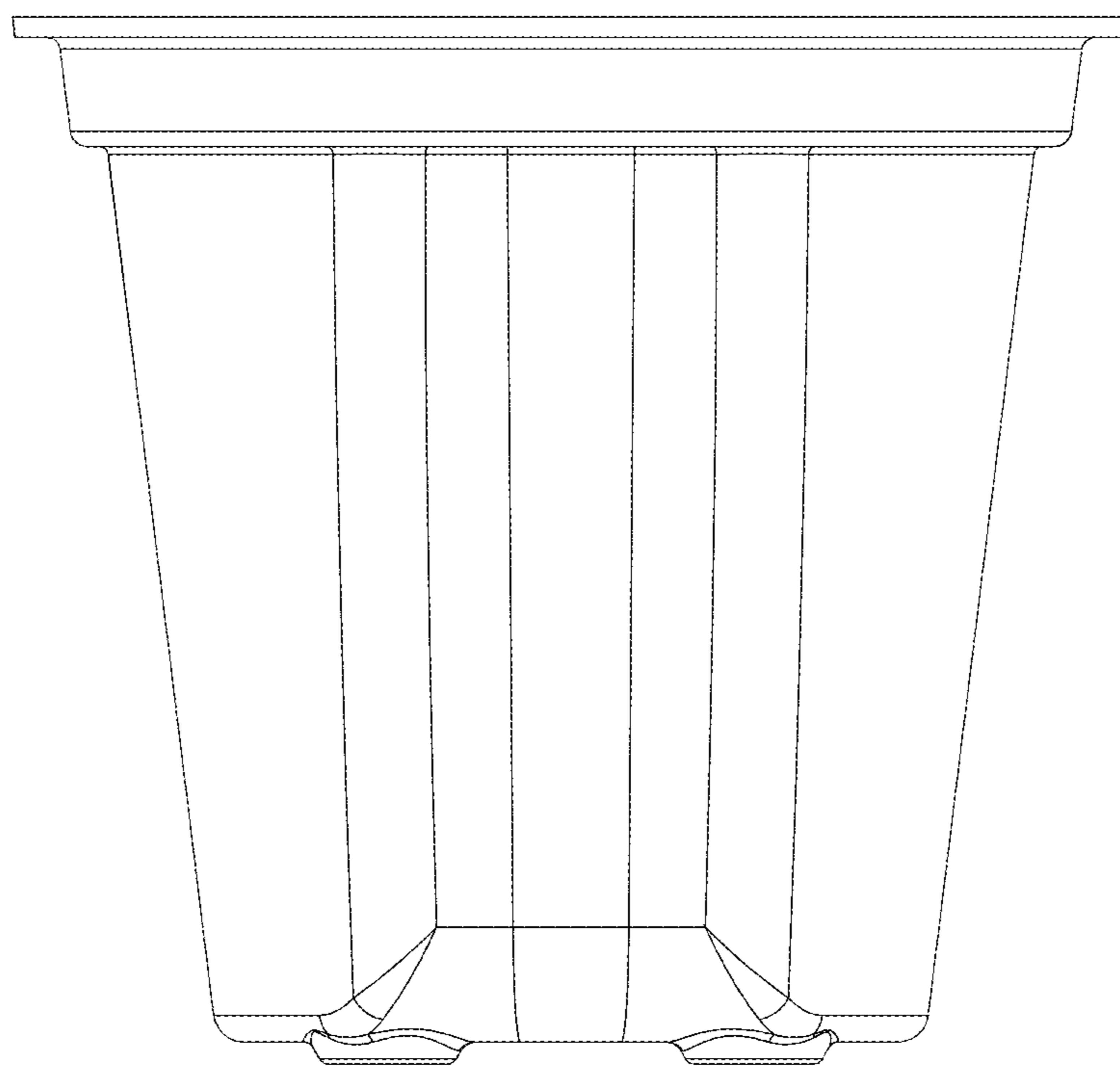


FIG. 6

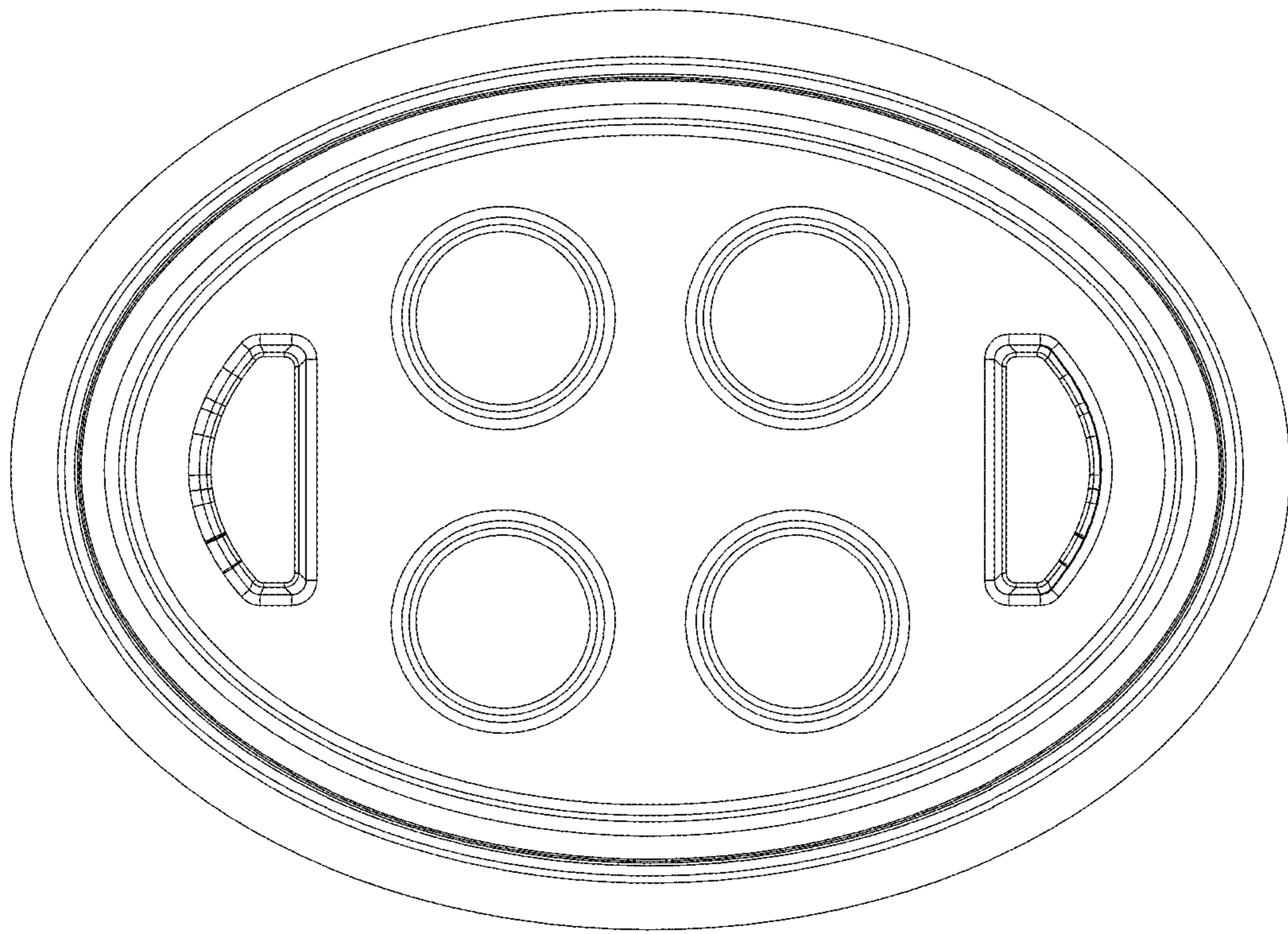


FIG. 7

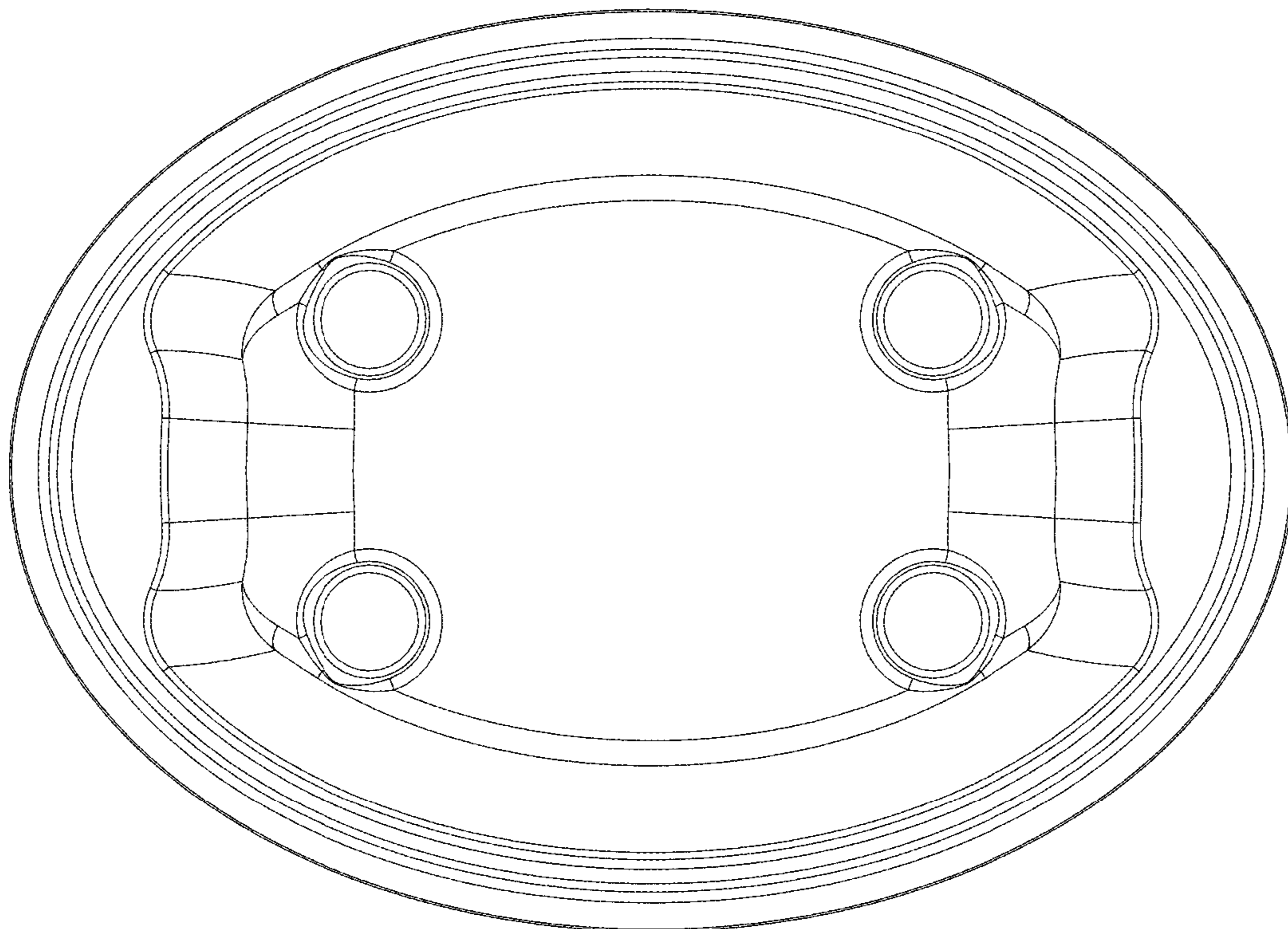


FIG. 8

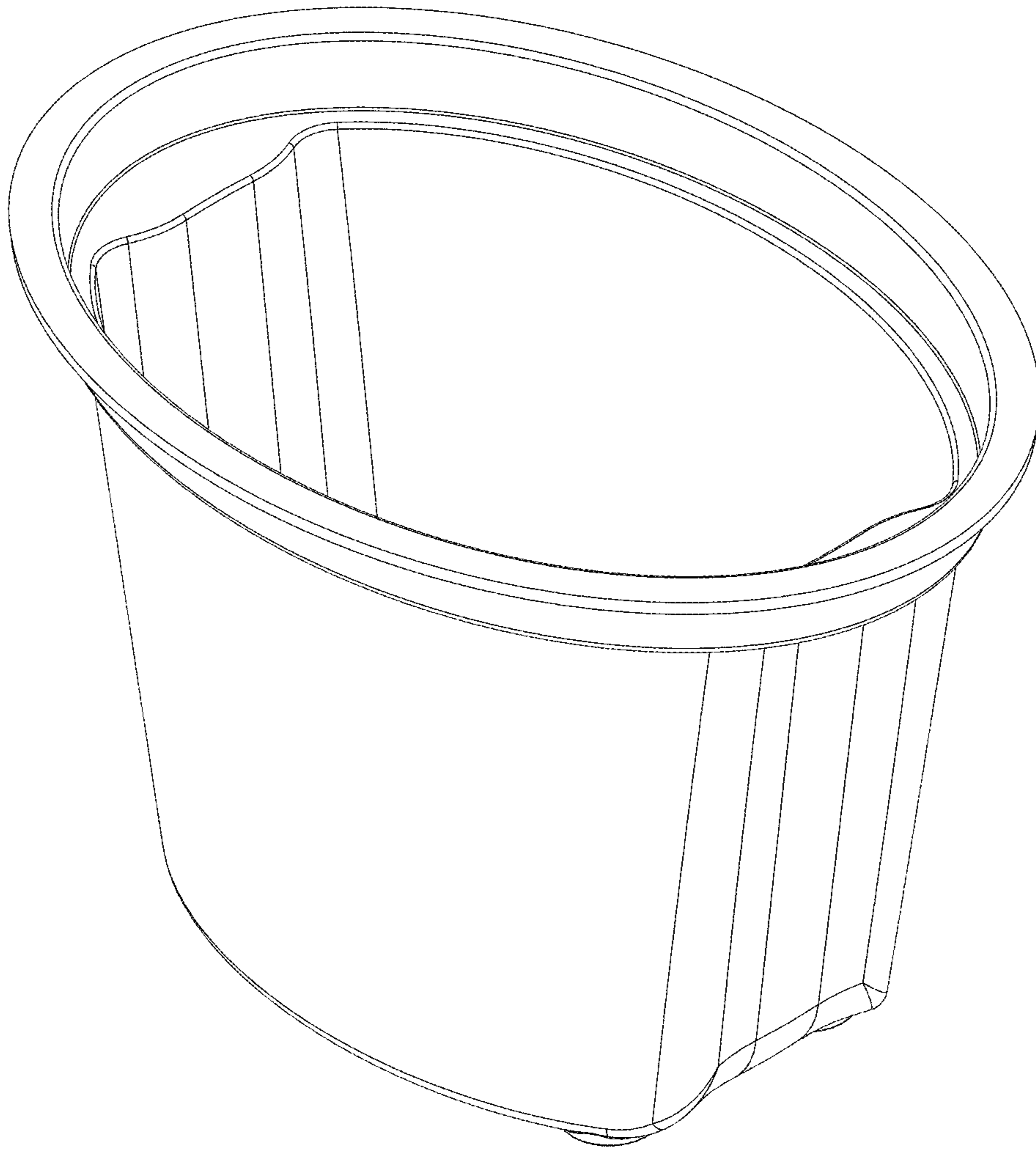


FIG. 9

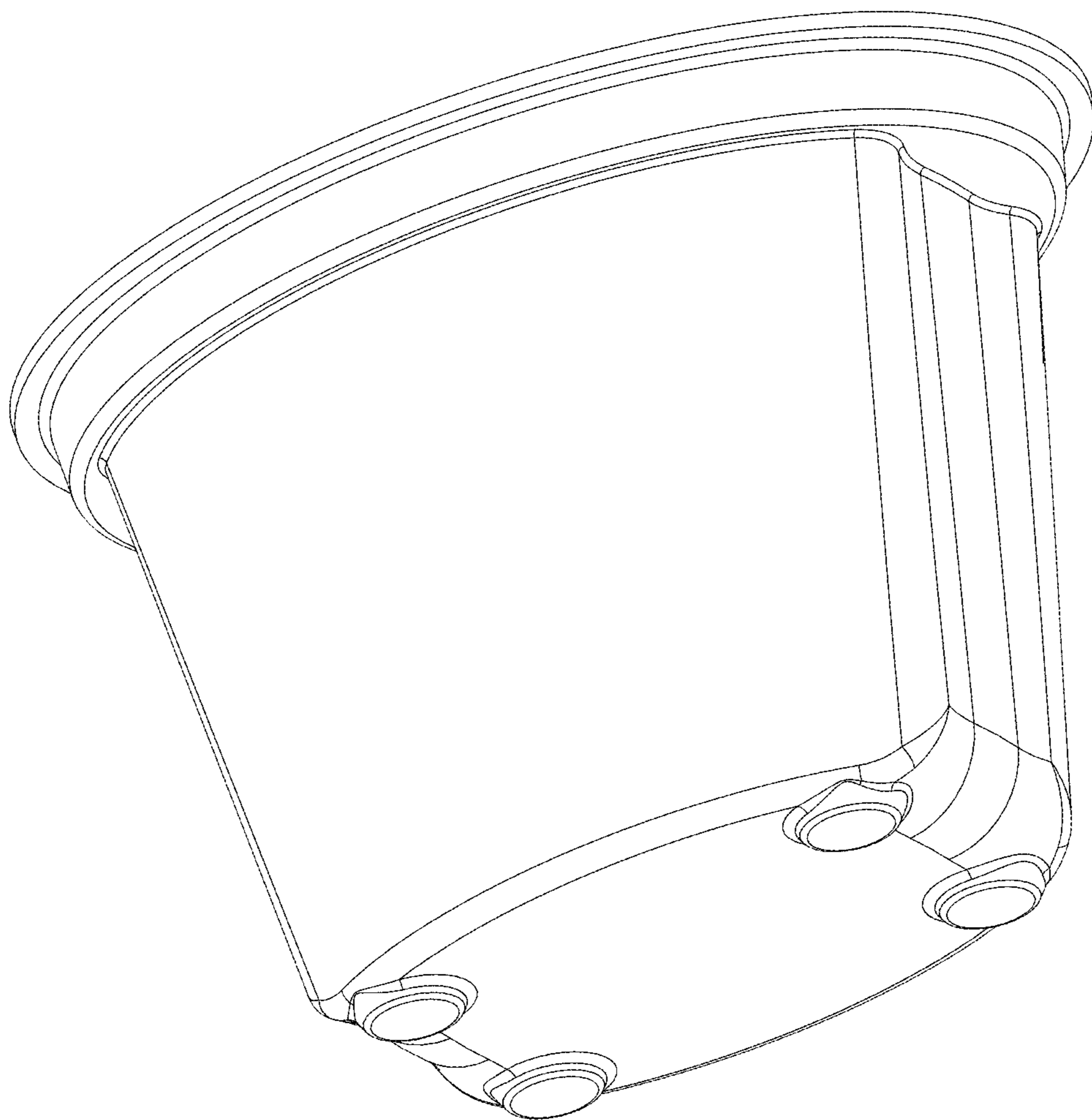


FIG. 10

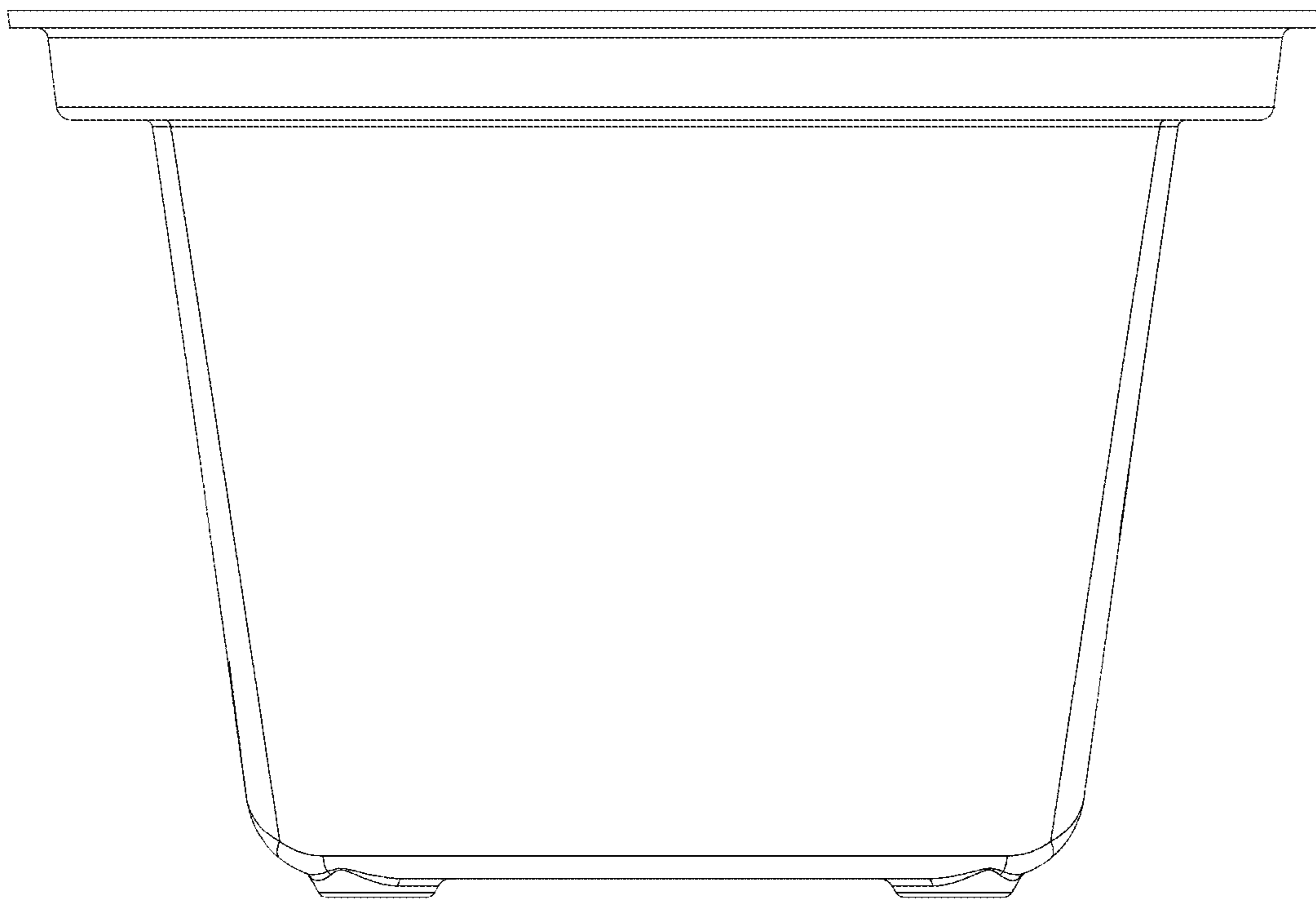


FIG. 11

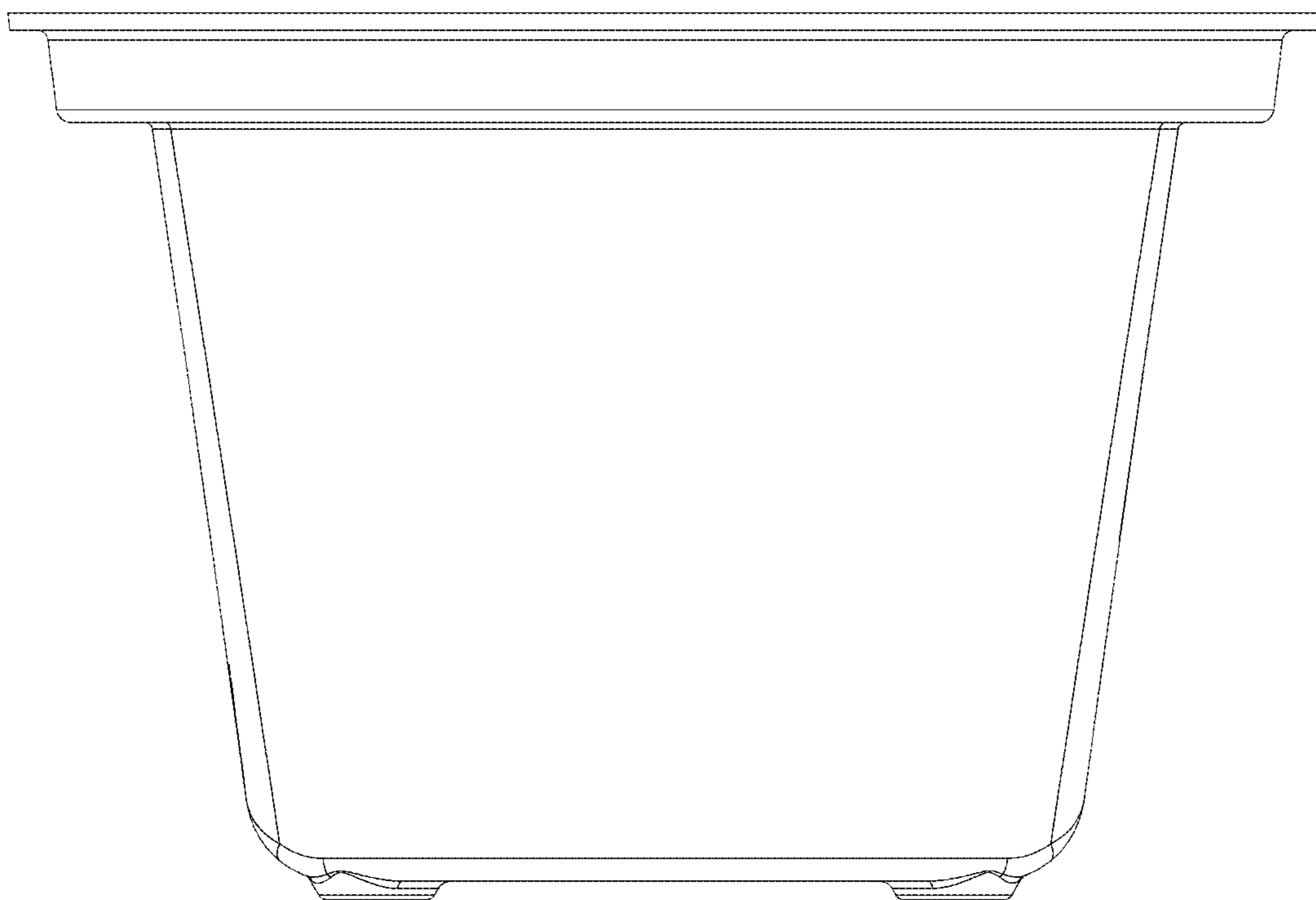


FIG. 12

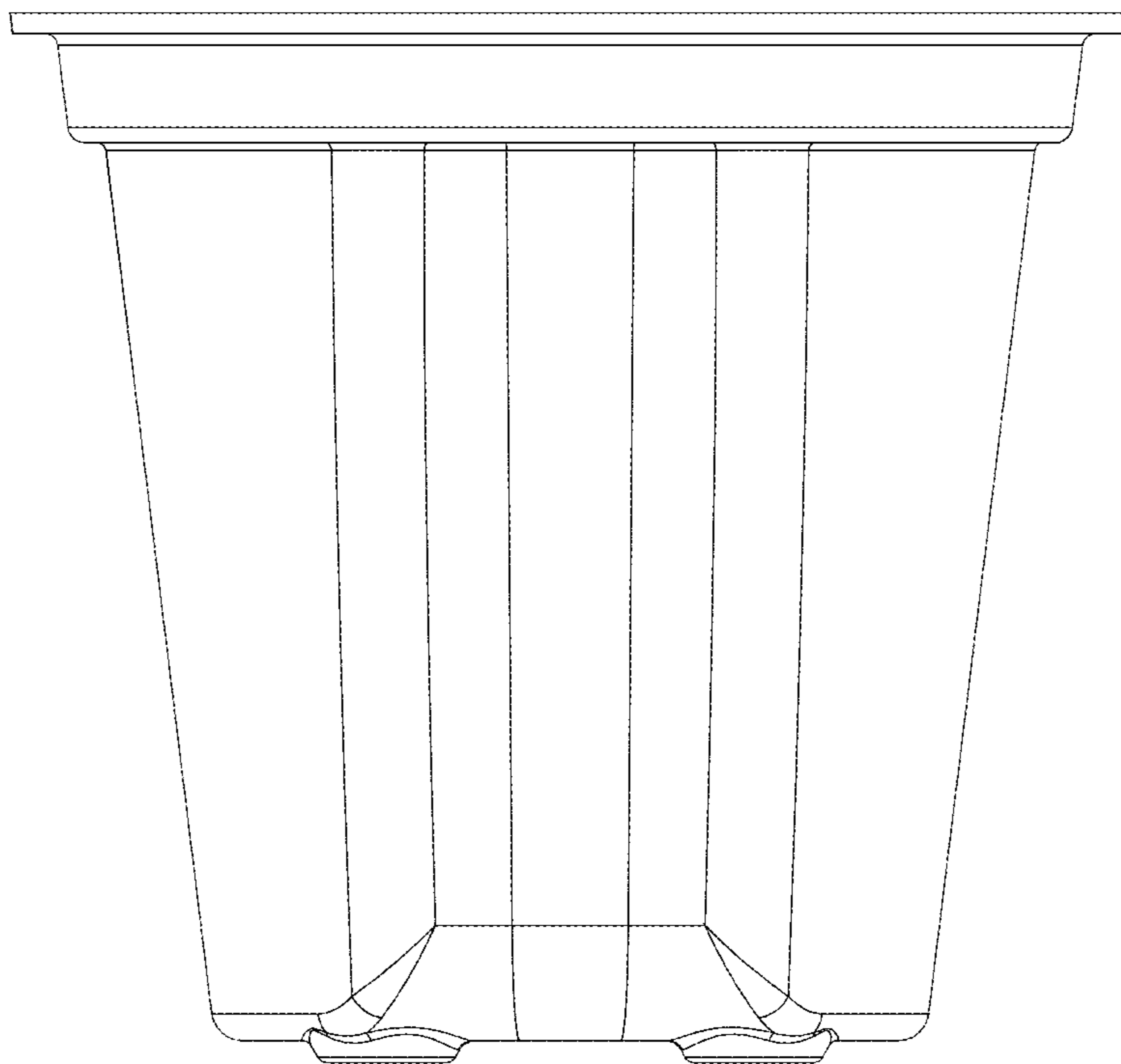


FIG. 13

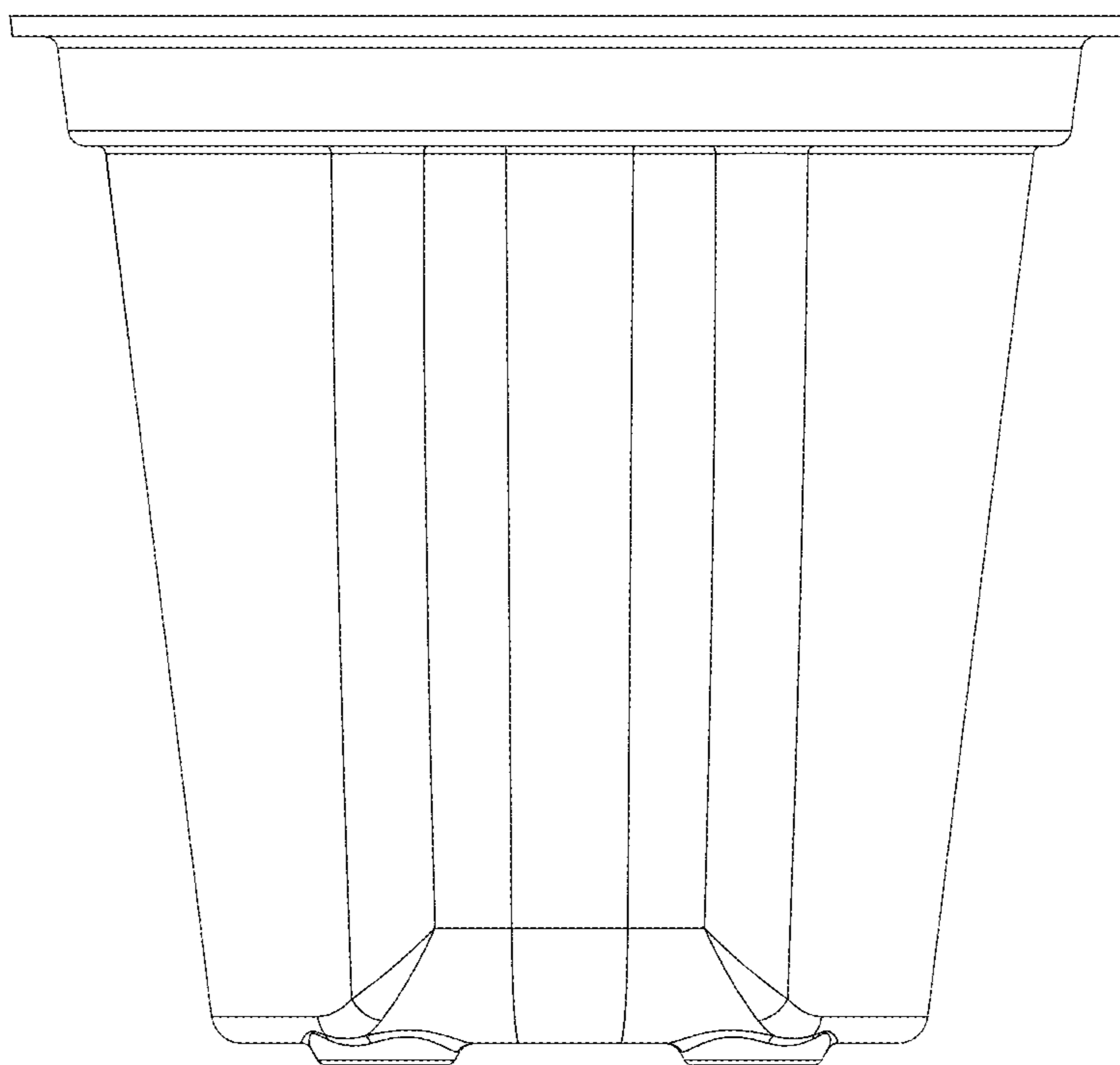


FIG. 14

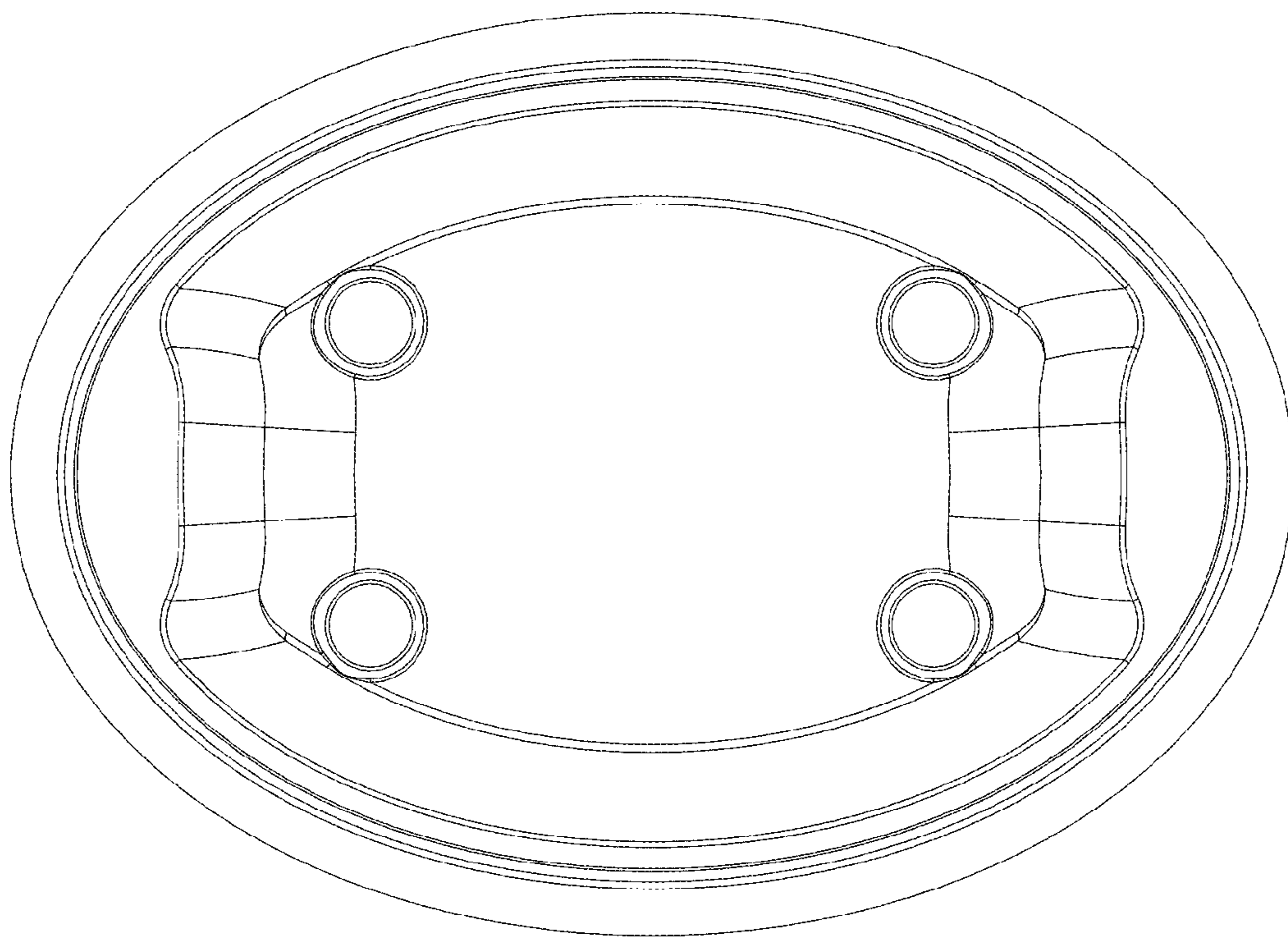


FIG. 15

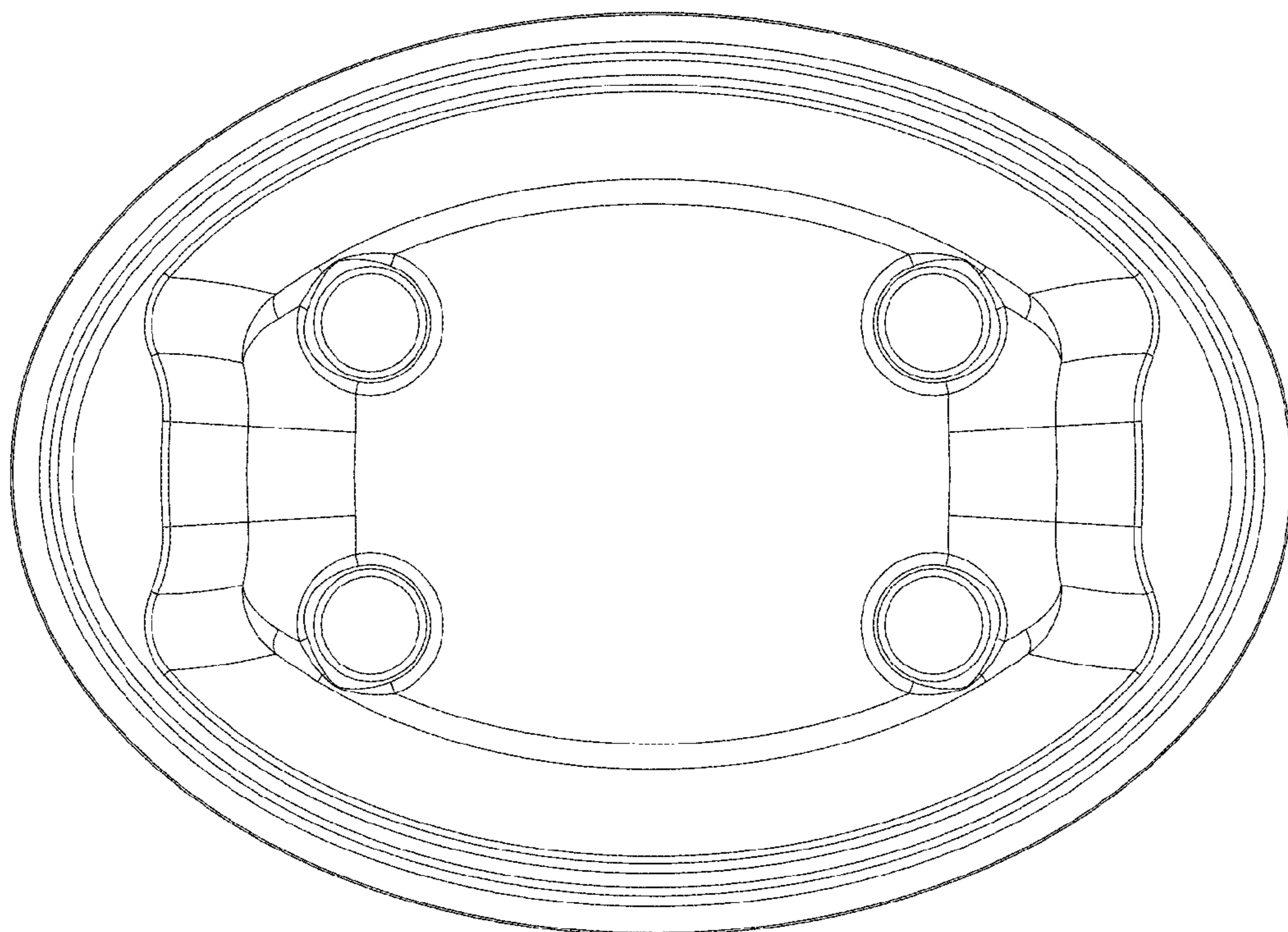


FIG. 16

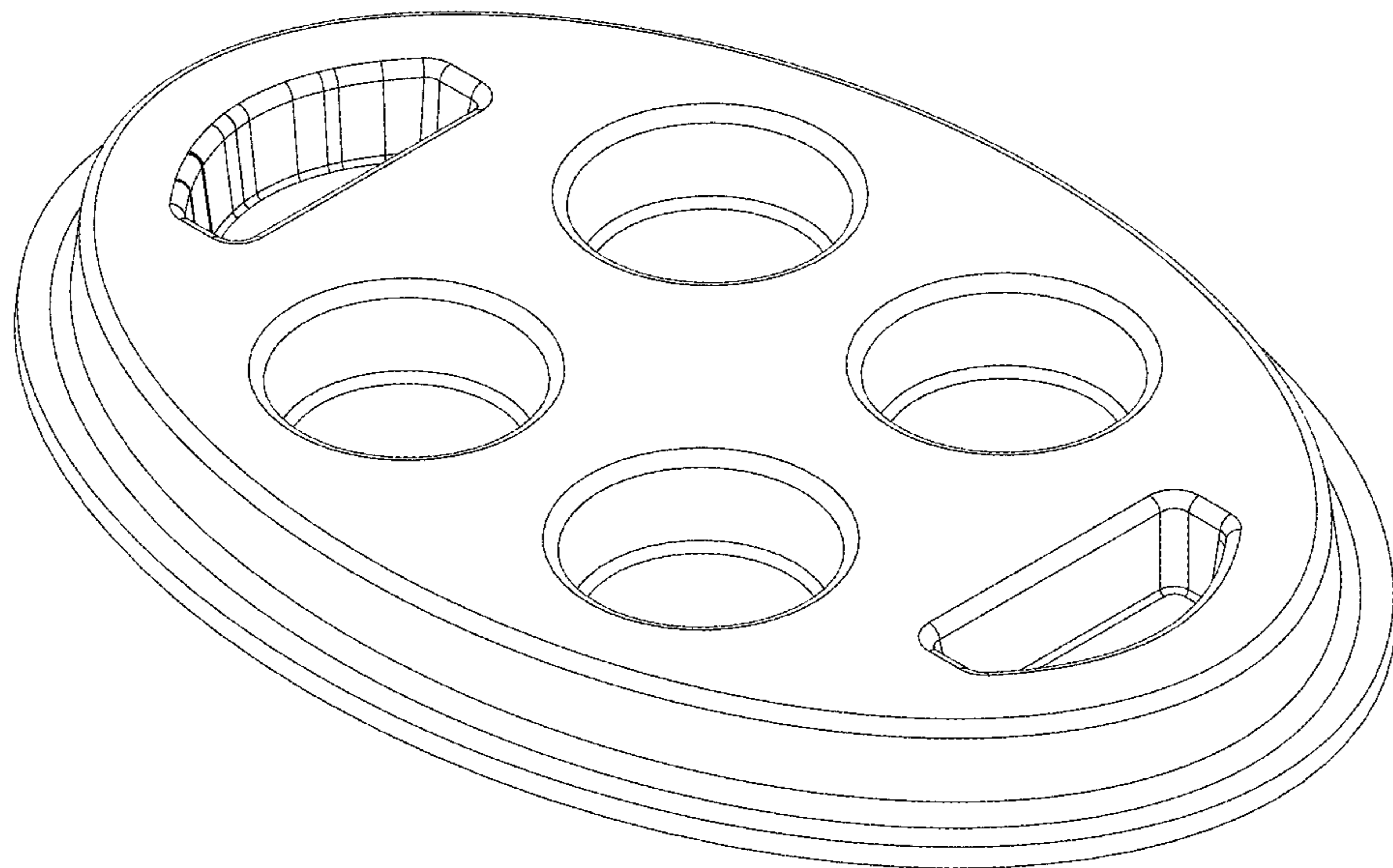


FIG. 17

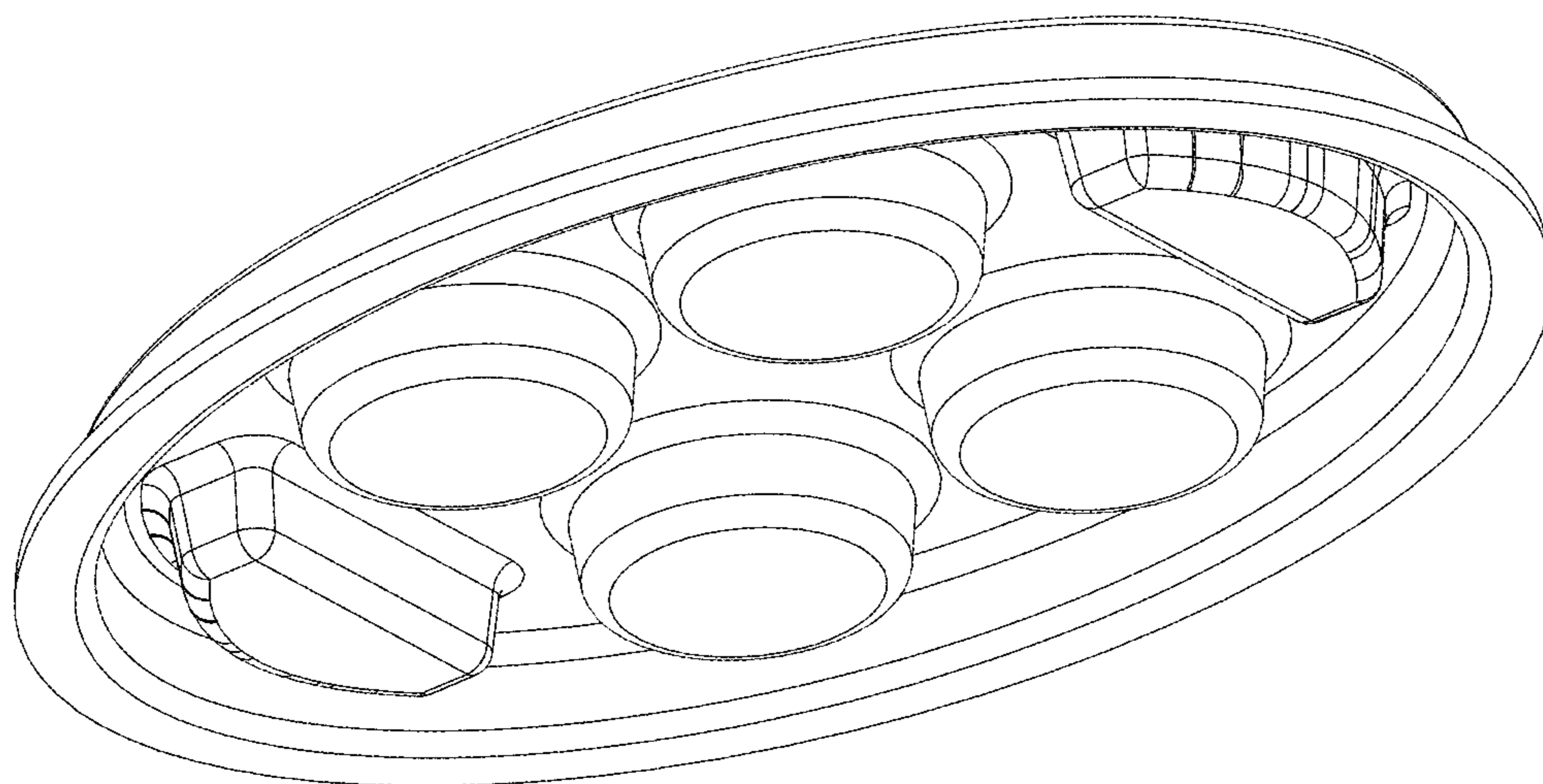


FIG. 18



FIG. 19

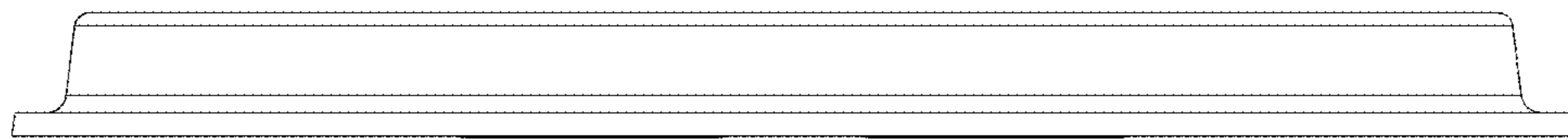


FIG. 20



FIG. 21

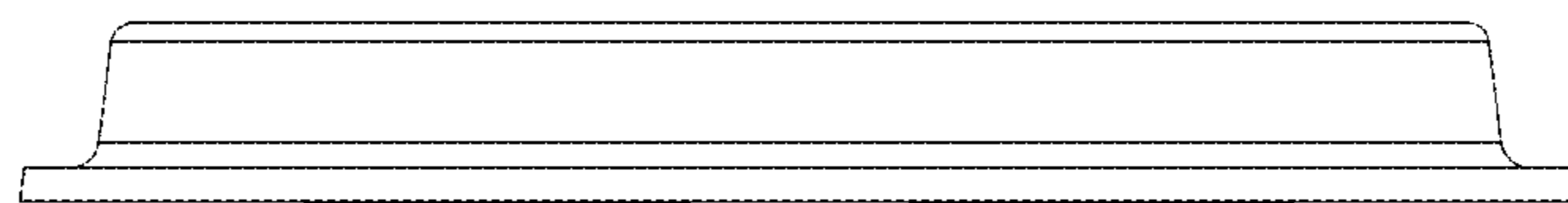


FIG. 22

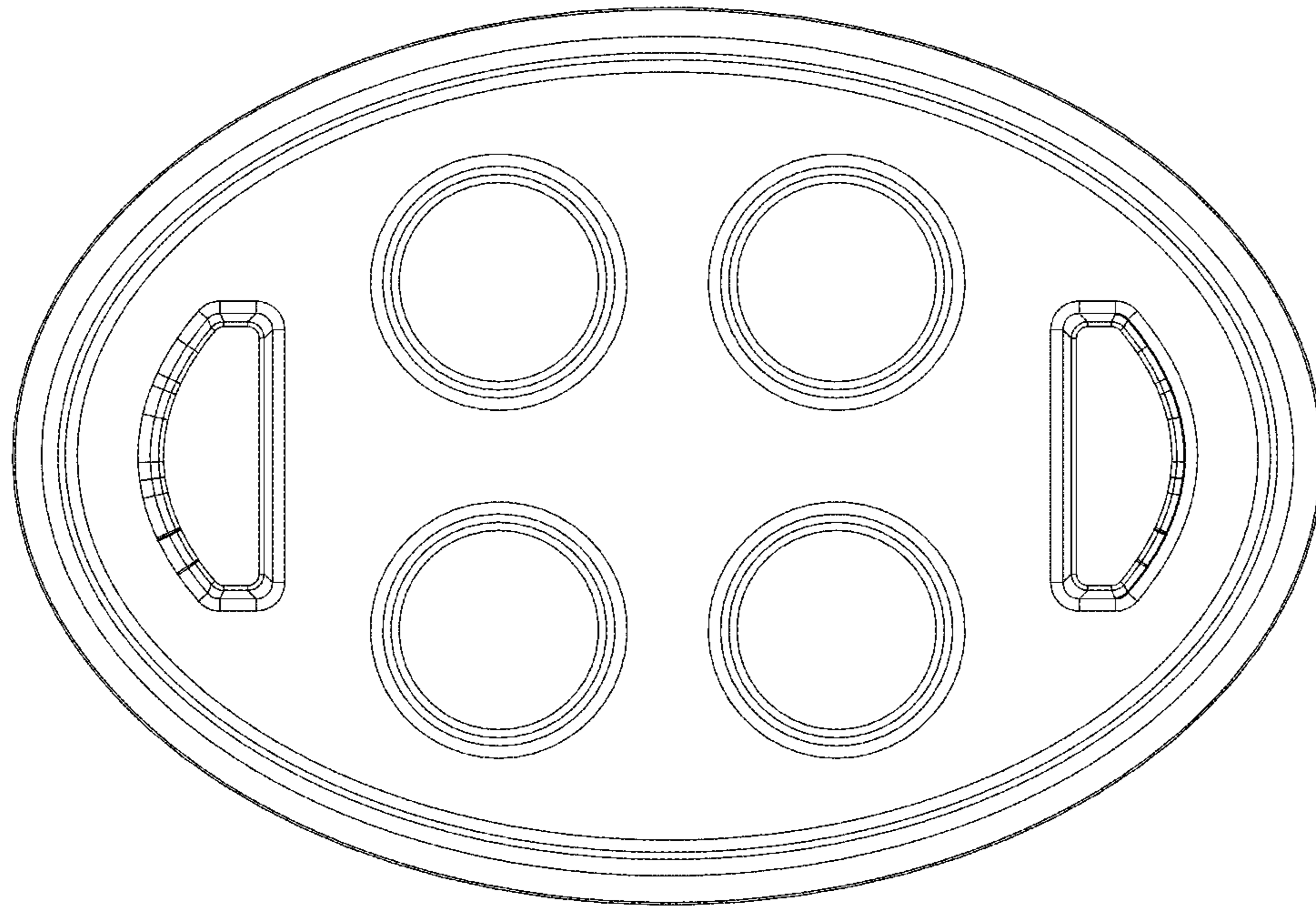


FIG. 23

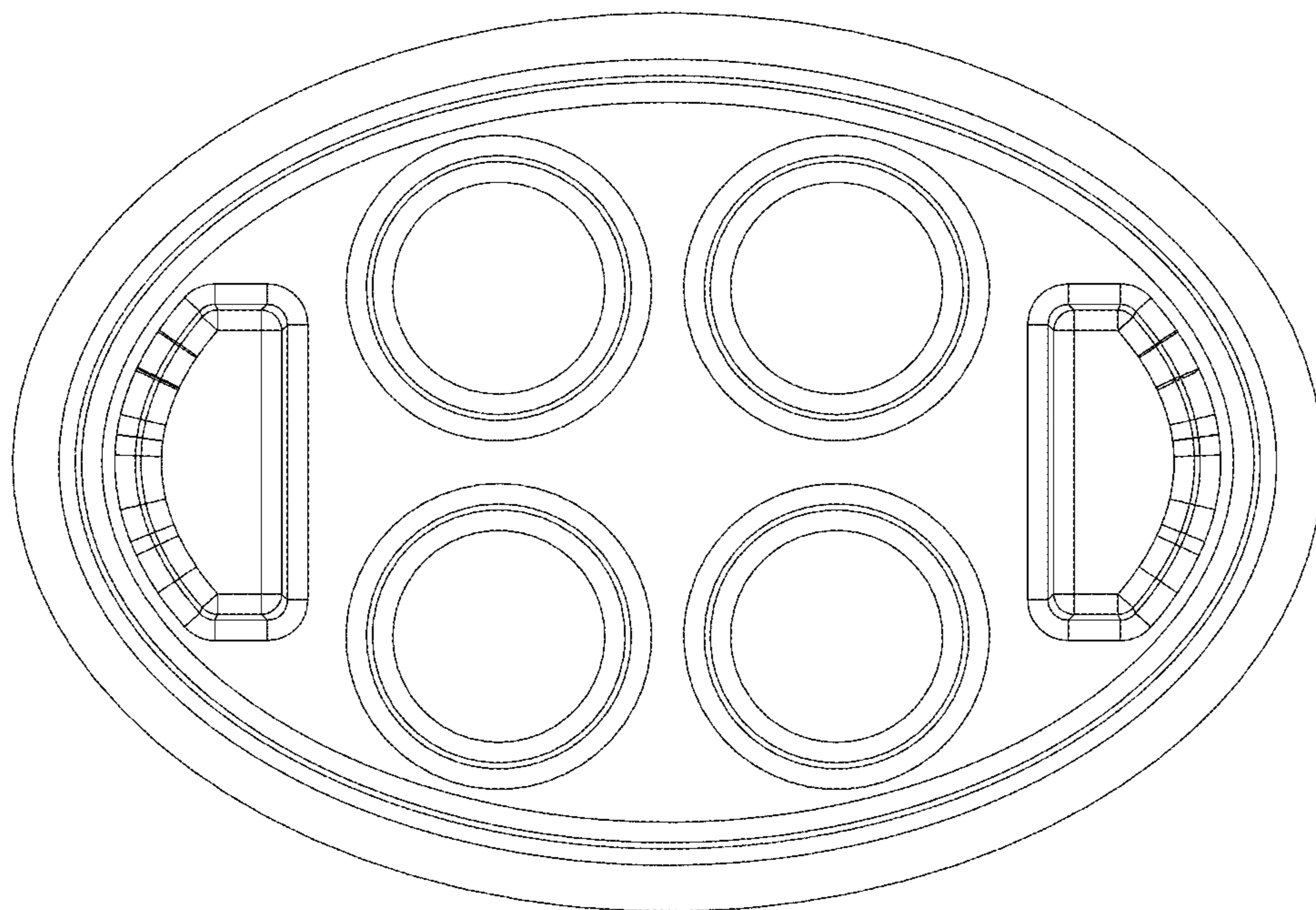


FIG. 24