



US00D929808S

(12) **United States Design Patent**  
**Glesser**

(10) **Patent No.:** **US D929,808 S**

(45) **Date of Patent:** **\*\* Sep. 7, 2021**

(54) **CUP**

(71) Applicant: **Spyderco, Inc.**, Golden, CO (US)

(72) Inventor: **Louis Sal Glesser**, Evergreen, CO (US)

(73) Assignee: **Spyderco, Inc.**, Golden, CO (US)

(\*\*) Term: **15 Years**

(21) Appl. No.: **29/674,351**

(22) Filed: **Dec. 20, 2018**

(51) **LOC (13) Cl.** ..... **07-01**

(52) **U.S. Cl.**

USPC ..... **D7/536**; D7/533

(58) **Field of Classification Search**

USPC ..... D7/507, 509, 510, 511, 523, 532, 533,  
D7/536, 608, 601, 602, 392.1, 396.2, 512,  
D7/708.1, 619.1, 622, 633; D9/503, 504;  
D24/197, 199; D3/202

CPC ..... A47G 19/22; A47G 19/2288; A47G  
19/2205; A47G 2019/2277; A45F 3/20;  
A47J 41/02

See application file for complete search history.

(56) **References Cited**

**U.S. PATENT DOCUMENTS**

2,386,284	A *	10/1945	Wynn	.....	A45F 3/16 220/763
2,444,447	A *	7/1948	Winsor	.....	A45F 3/16 220/763
3,813,003	A *	5/1974	Bernazzani	.....	A47G 19/22 220/772
D351,315	S *	10/1994	van Stolk	.....	D7/533
6,308,379	B1 *	10/2001	Hendrickson	.....	A47J 45/065 220/669
D562,639	S *	2/2008	Ablo	.....	D7/500
D663,164	S *	7/2012	Taylor	.....	D7/512
D684,428	S *	6/2013	Spencer	.....	D7/536
D698,197	S *	1/2014	Andersson	.....	D7/361
2008/0105678	A1 *	5/2008	Regan	.....	A45F 3/18 220/200
2009/0166368	A1 *	7/2009	Regan	.....	B65D 25/34 220/739
2010/0308047	A1 *	12/2010	Regan	.....	A45F 3/18 220/212.5

**OTHER PUBLICATIONS**

[https://www.amazon.com/Texsport-Enamel-Coffee-Stainless-Steel/dp/B00AN7IZU2/ref=sr\\_1\\_40?crid=1RZWWR70UO6HR&dchild=1&keywords=stainless%2Bsteel%2Bcamping%2Bmug&srefix=stainless%2Bsteel%2Bcamp%2Caps%2C156&sr=8-40&th=1](https://www.amazon.com/Texsport-Enamel-Coffee-Stainless-Steel/dp/B00AN7IZU2/ref=sr_1_40?crid=1RZWWR70UO6HR&dchild=1&keywords=stainless%2Bsteel%2Bcamping%2Bmug&srefix=stainless%2Bsteel%2Bcamp%2Caps%2C156&sr=8-40&th=1) (Year: 2005).\*

[https://www.amazon.com/BCB-ADVENTURE-Crusader-Canteen-Silver/dp/B000NT6638/ref=sr\\_1\\_89?crid=3AIBPMKZAOH8Z&dchild=1&keywords=canteen+cup&srefix=Canteen+%2Caps%2C170&sr=8-89](https://www.amazon.com/BCB-ADVENTURE-Crusader-Canteen-Silver/dp/B000NT6638/ref=sr_1_89?crid=3AIBPMKZAOH8Z&dchild=1&keywords=canteen+cup&srefix=Canteen+%2Caps%2C170&sr=8-89) (Year: 2015).\*

\* cited by examiner

*Primary Examiner* — Jae Liang

(74) *Attorney, Agent, or Firm* — Sheridan Ross P.C.

(57) **CLAIM**

The ornamental design for a cup, as shown and described.

**DESCRIPTION**

FIG. 1 is a rear perspective view of a cup with the handles extended;

FIG. 2 is a front elevation view thereof;

FIG. 3 is a rear elevation view thereof;

FIG. 4 is a right elevation view thereof;

FIG. 5 is a left elevation view thereof;

FIG. 6 is a top plan view thereof;

FIG. 7 is a bottom plan view thereof;

FIG. 8 is a rear perspective view of the cup of FIG. 1 with the handles folded in a closed position;

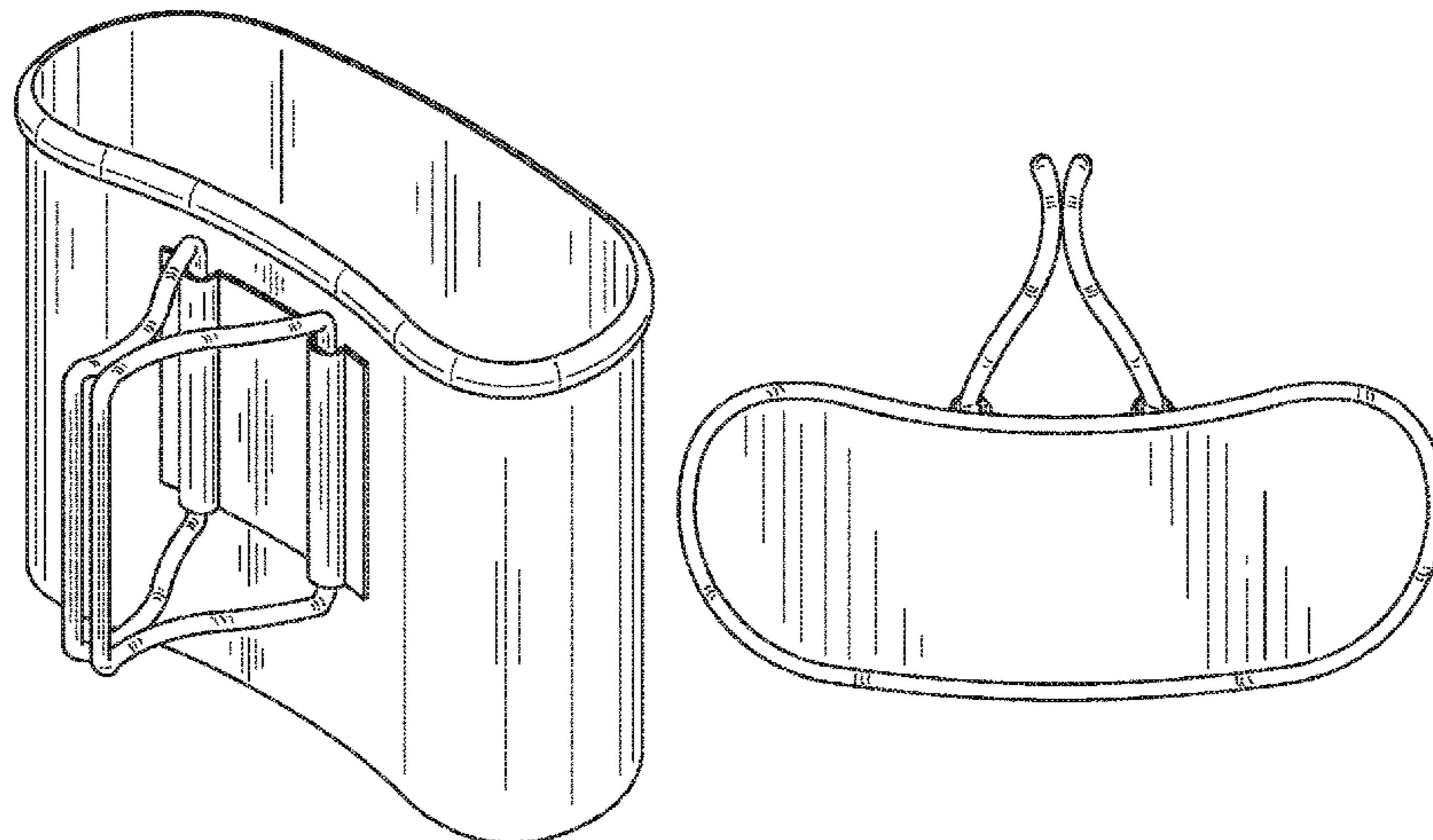
FIG. 9 is a front perspective view of the cup of FIG. 8 and the front elevation view of the cup of FIG. 8 is the same as FIG. 2;

FIG. 10 is a rear elevation view of the cup of FIG. 8;

FIG. 11 is a right elevation view of the cup of FIG. 8 and the left elevation view is a mirror image; and,

FIG. 12 is a top plan view of the cup of FIG. 8 and the bottom plan view is the same as FIG. 7 but with the handles folded in.

**1 Claim, 7 Drawing Sheets**



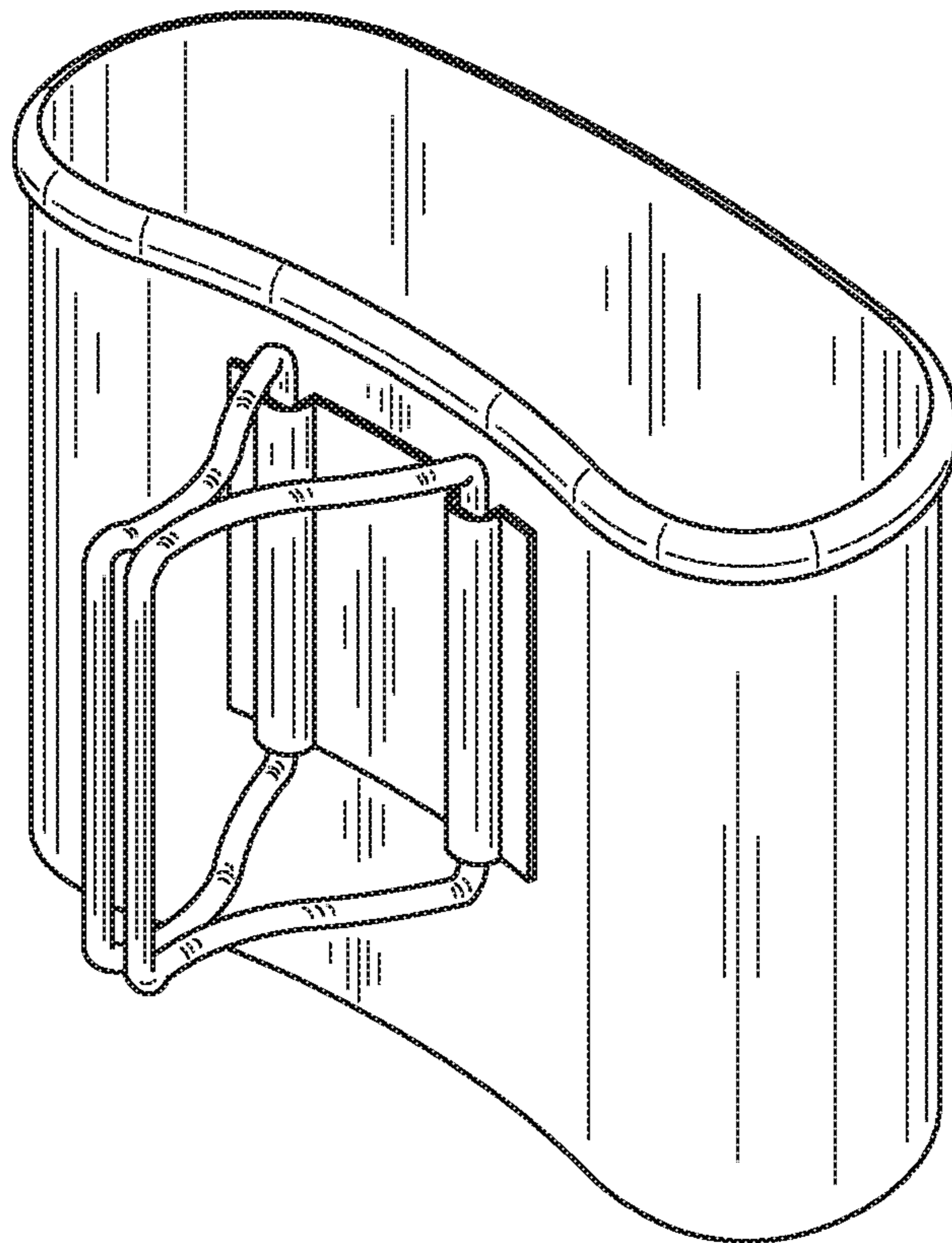


FIG. 1

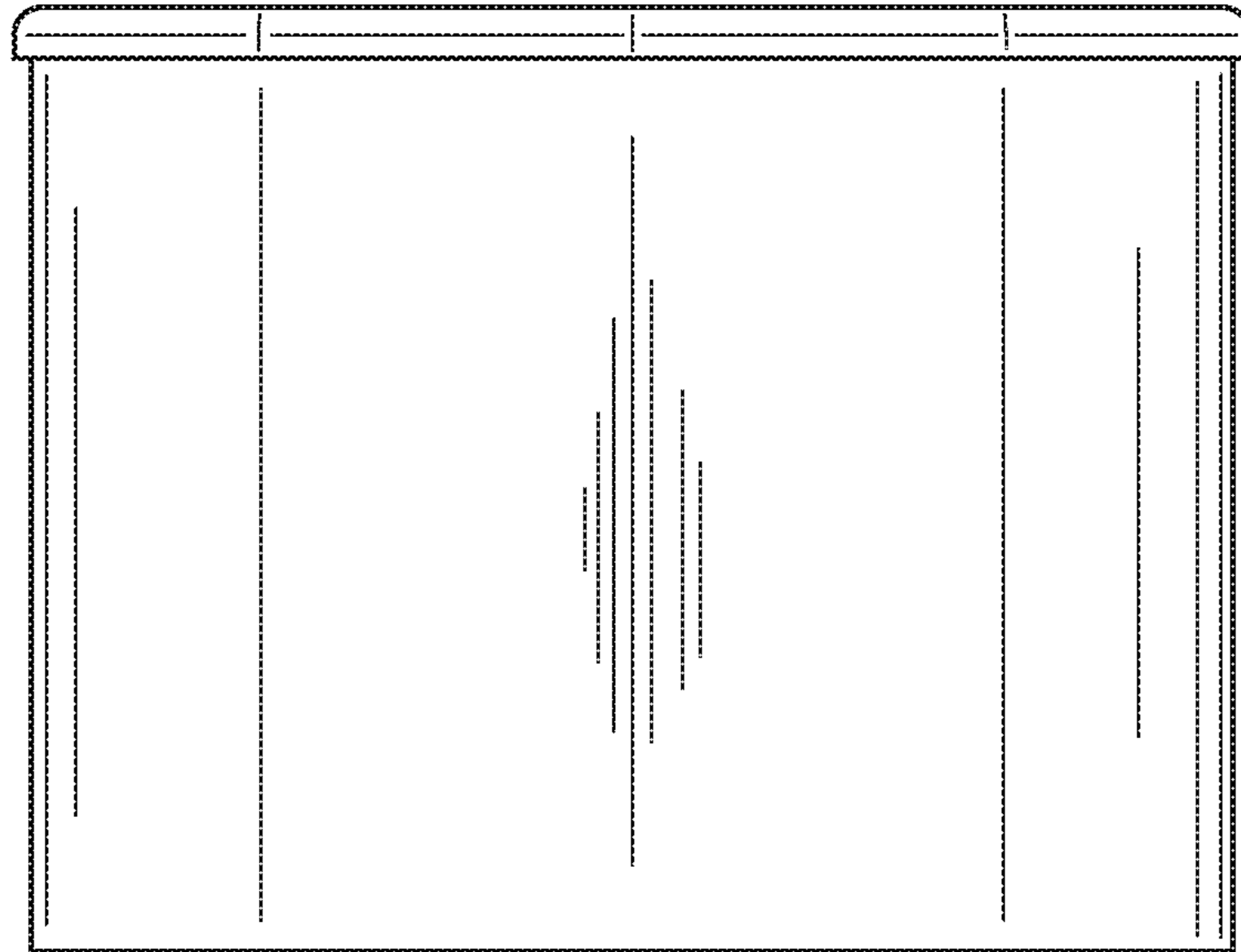


FIG. 2

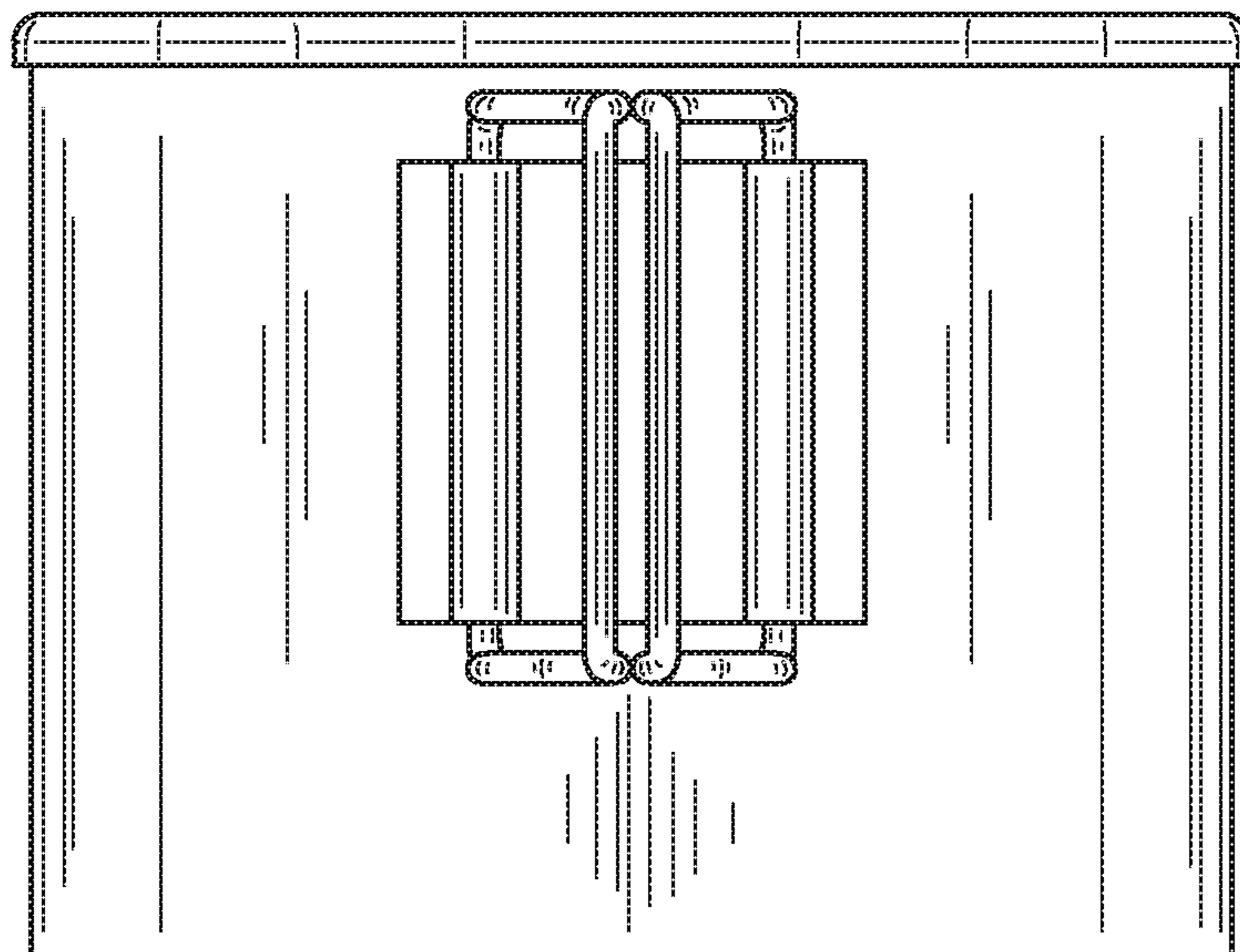


FIG. 3

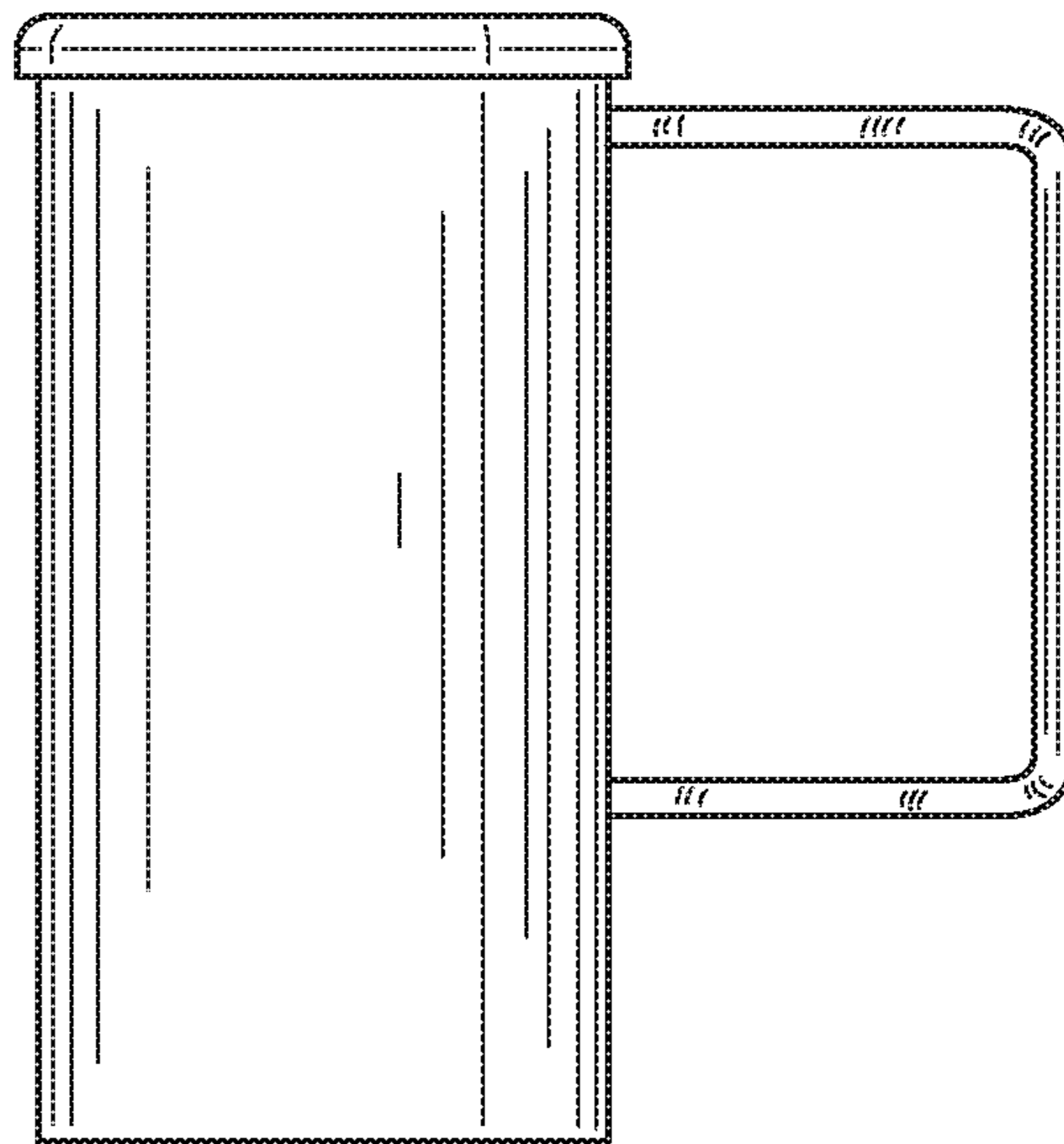


FIG. 4

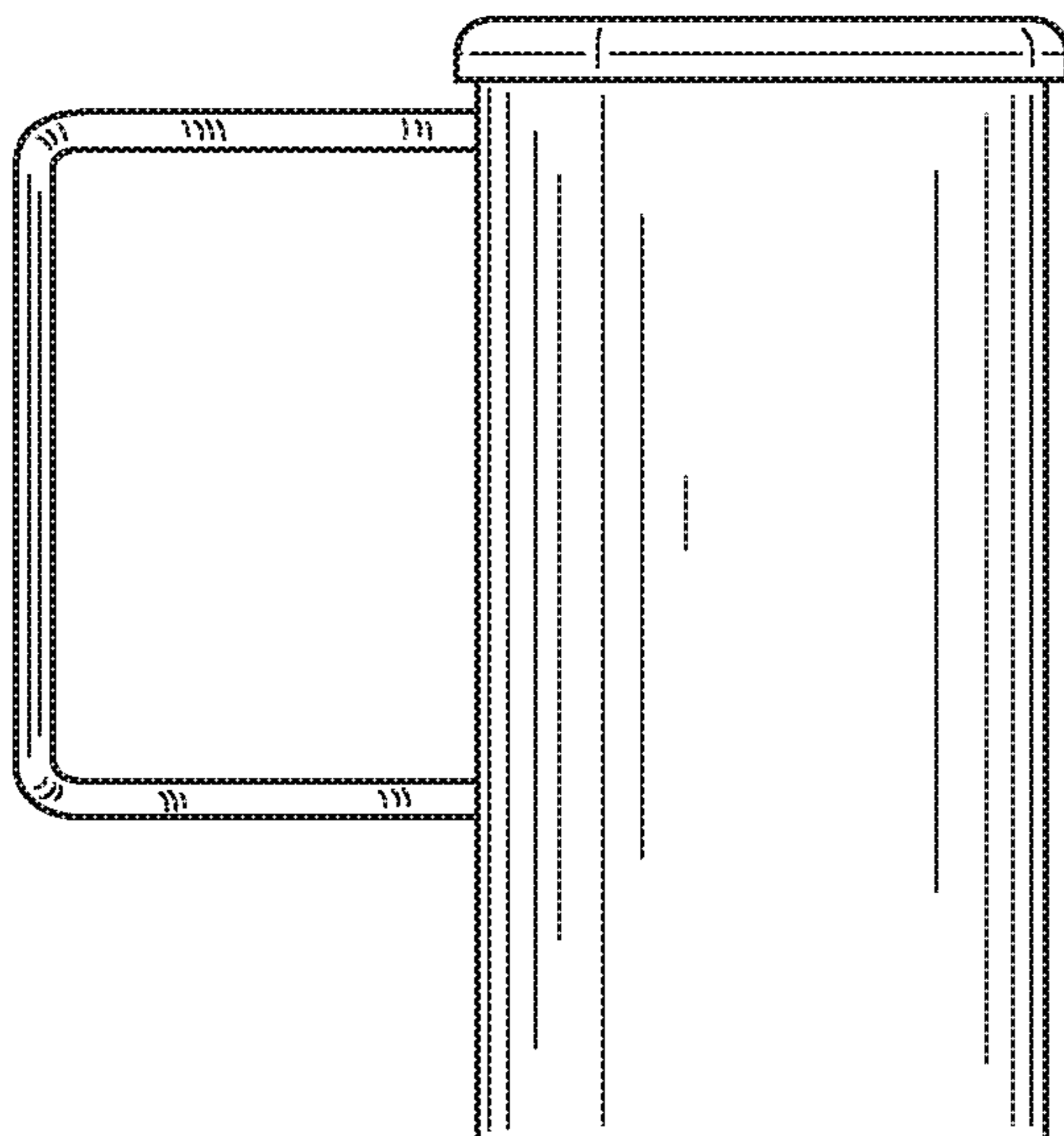


FIG. 5

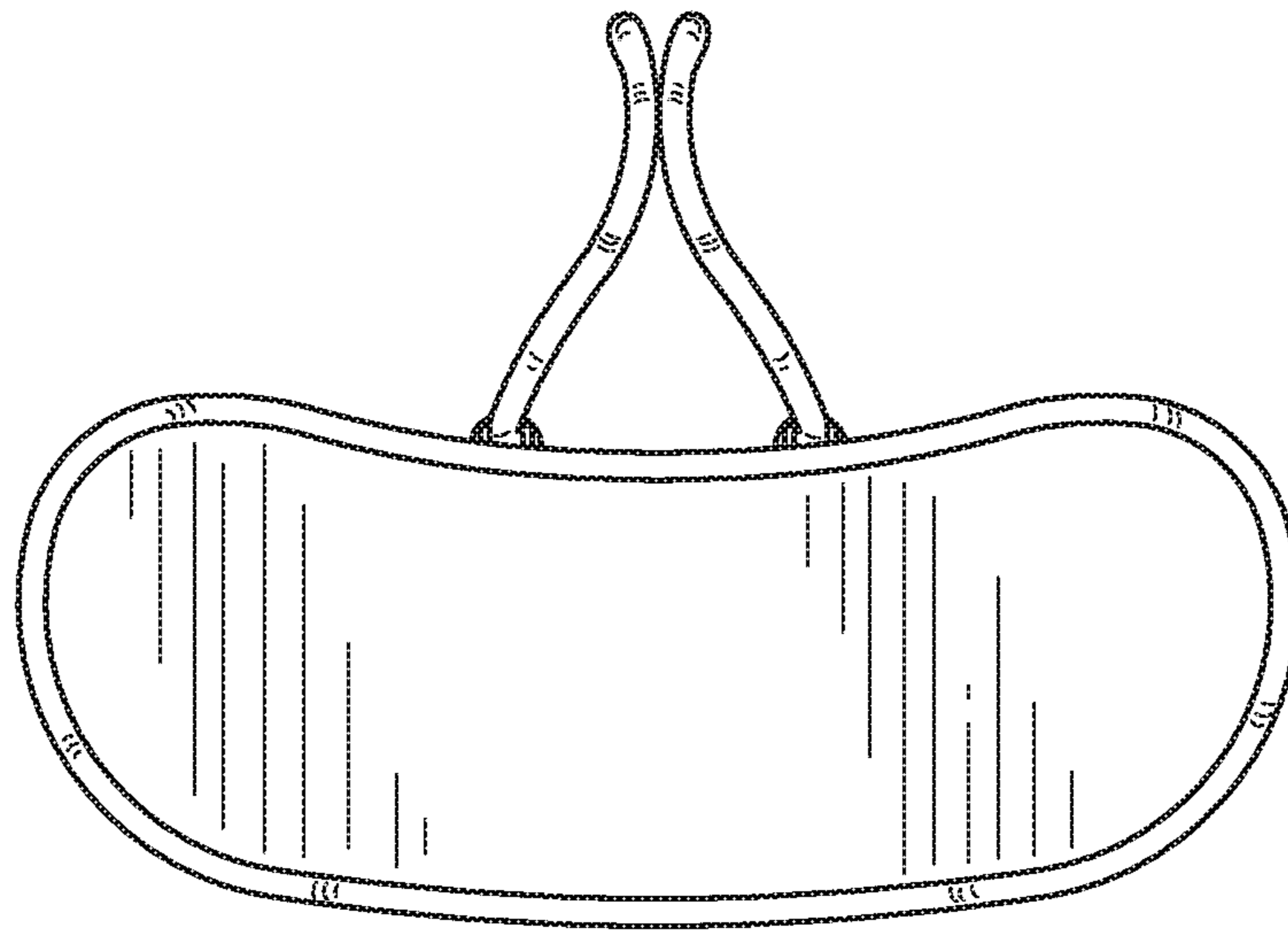


FIG. 6

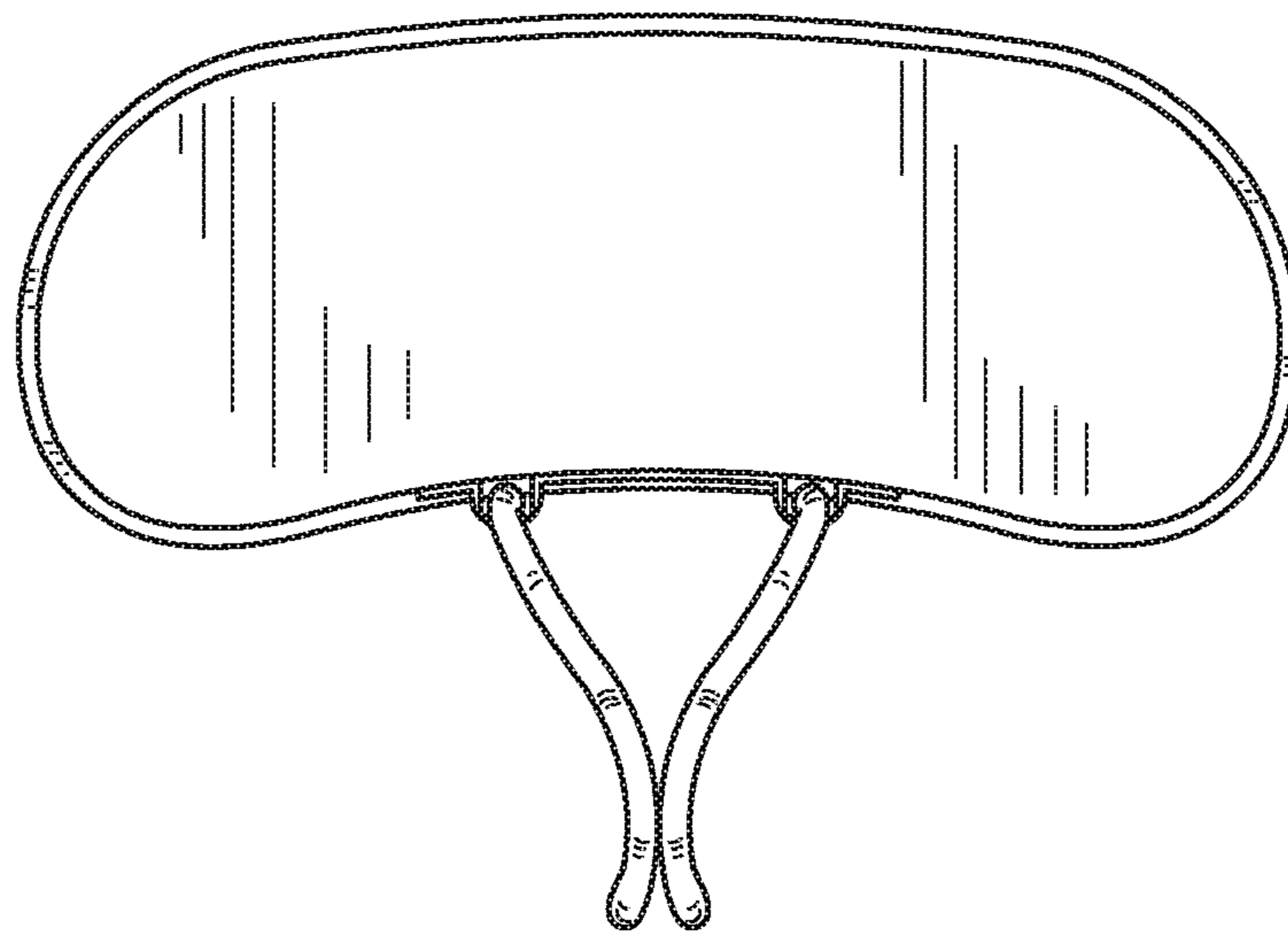


FIG. 7

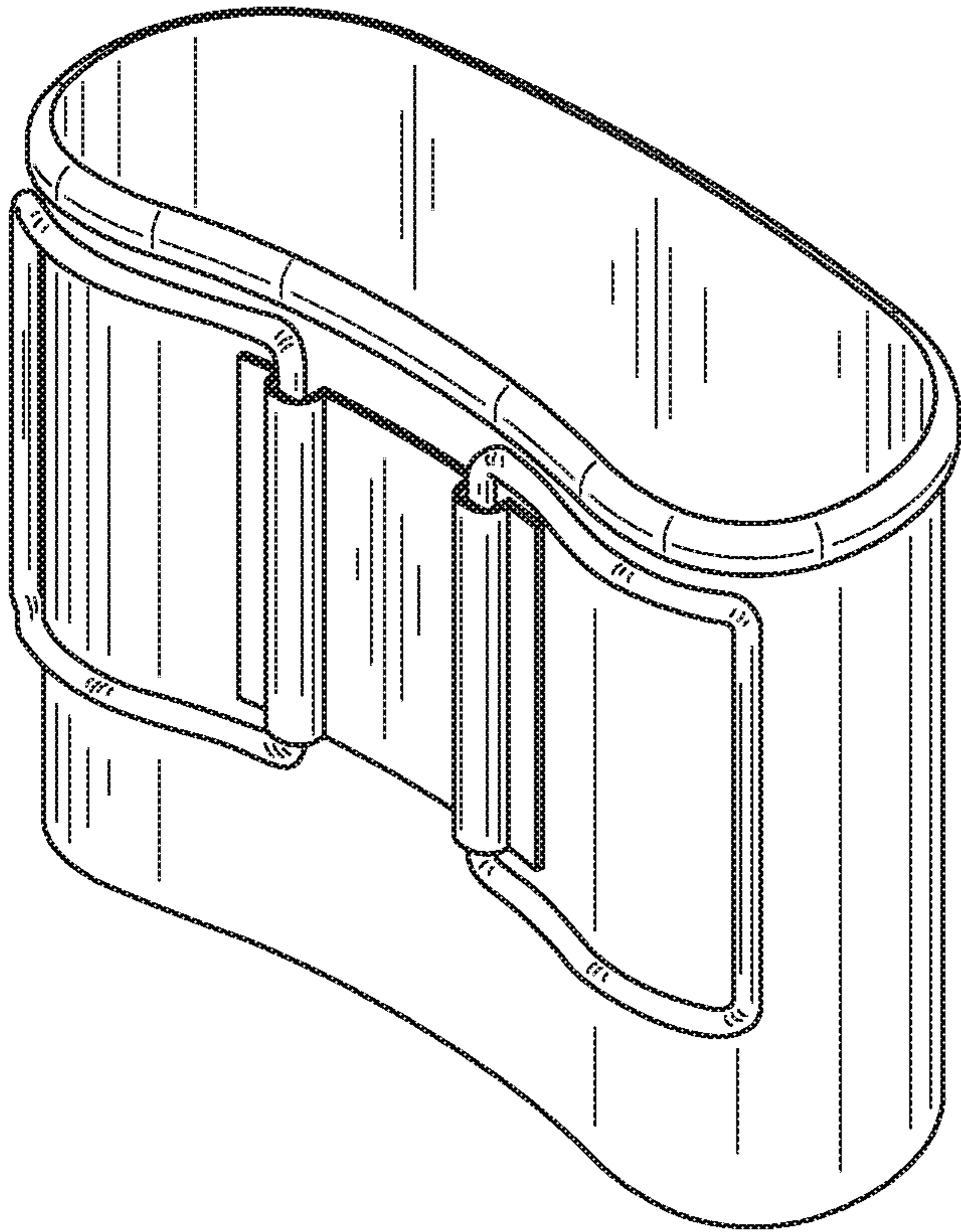


FIG. 8

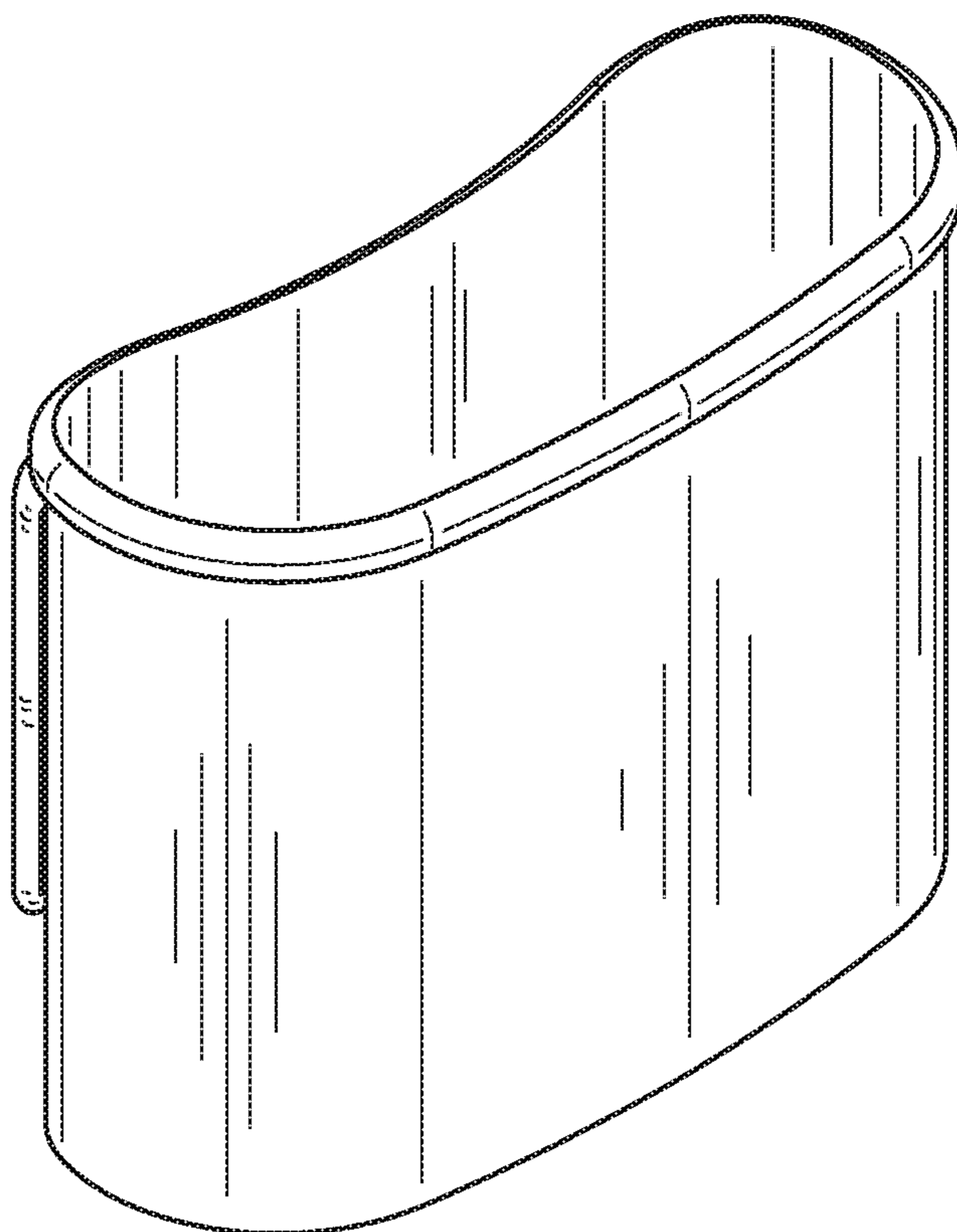


FIG. 9

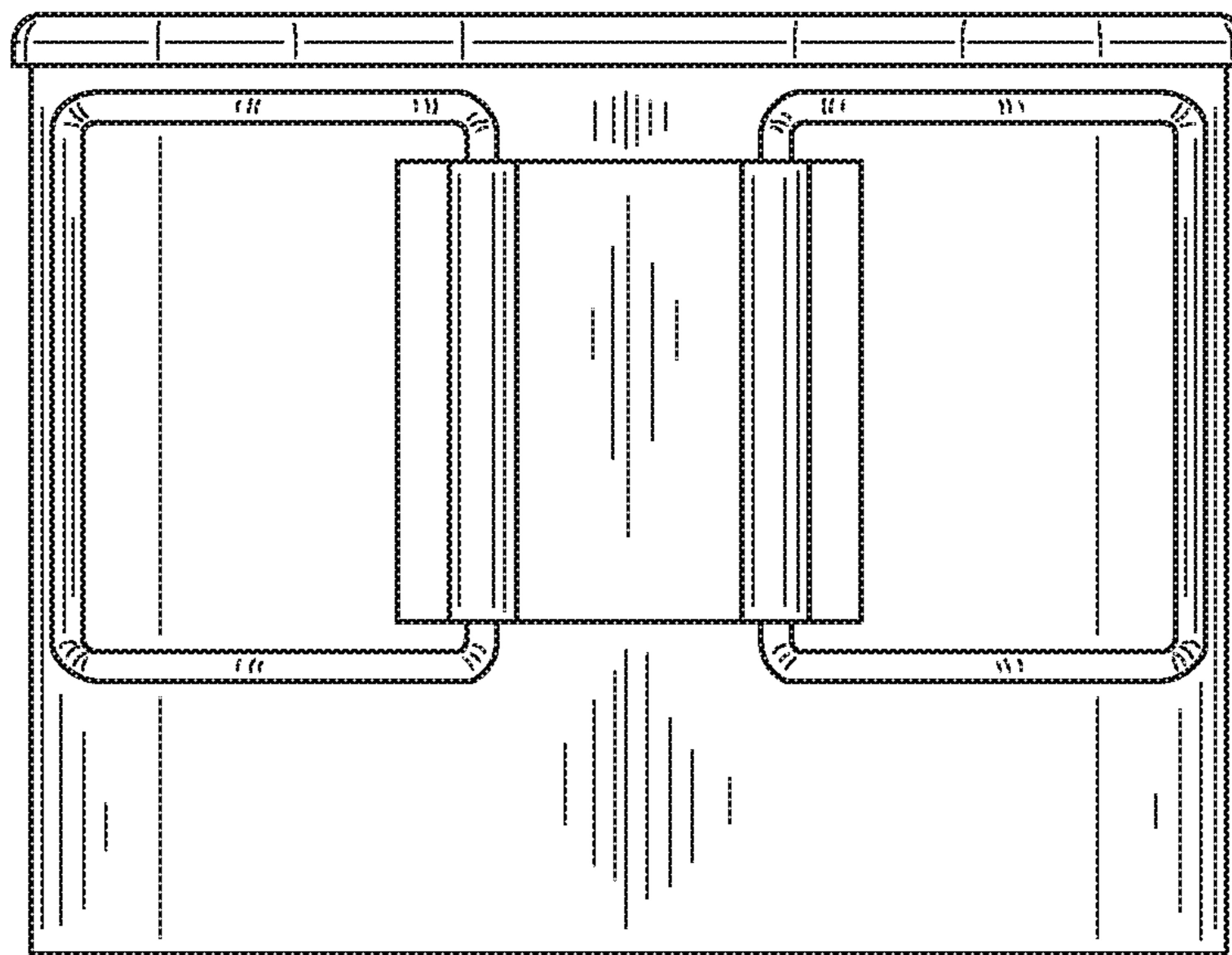


FIG. 10

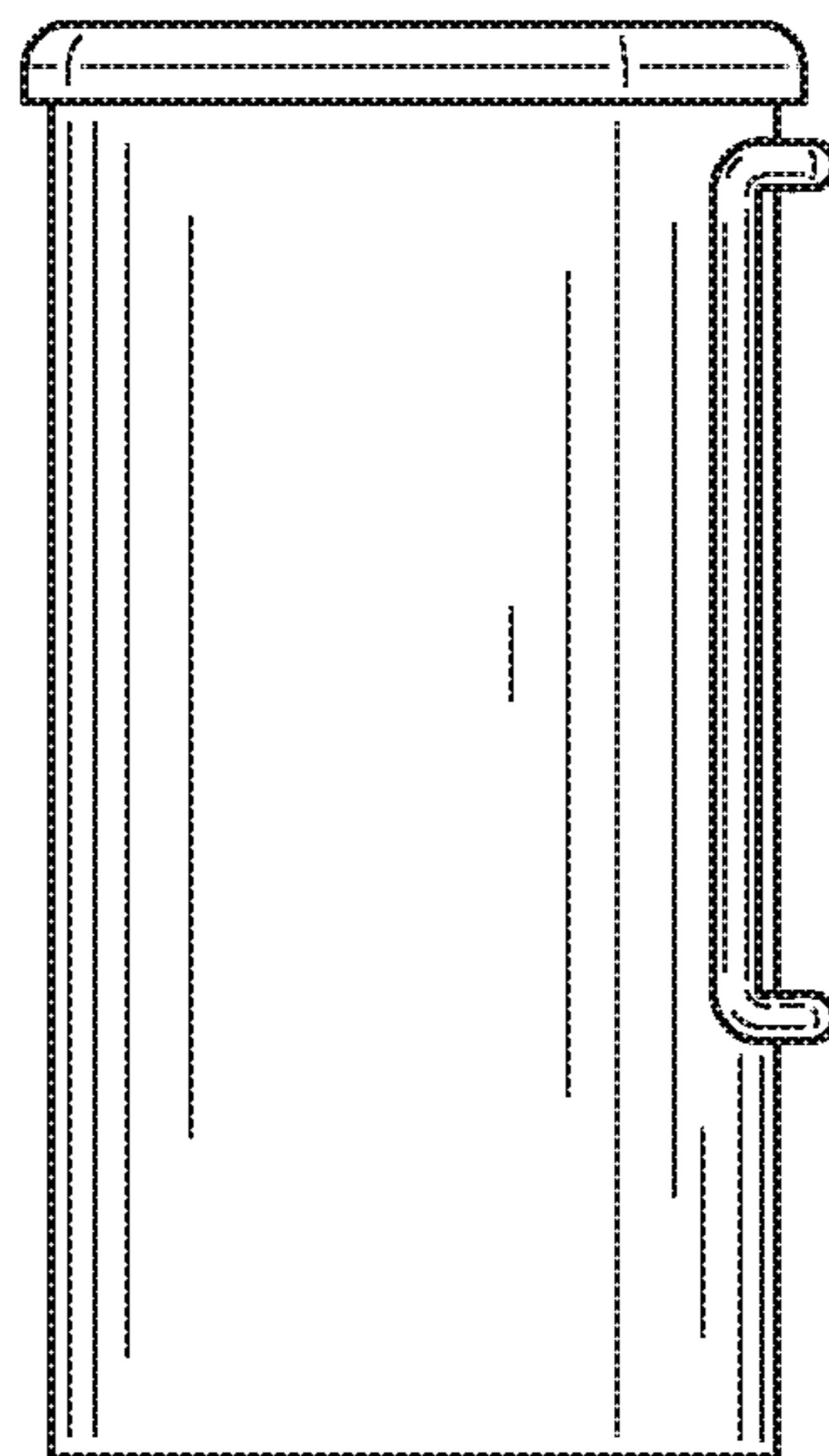


FIG. 11

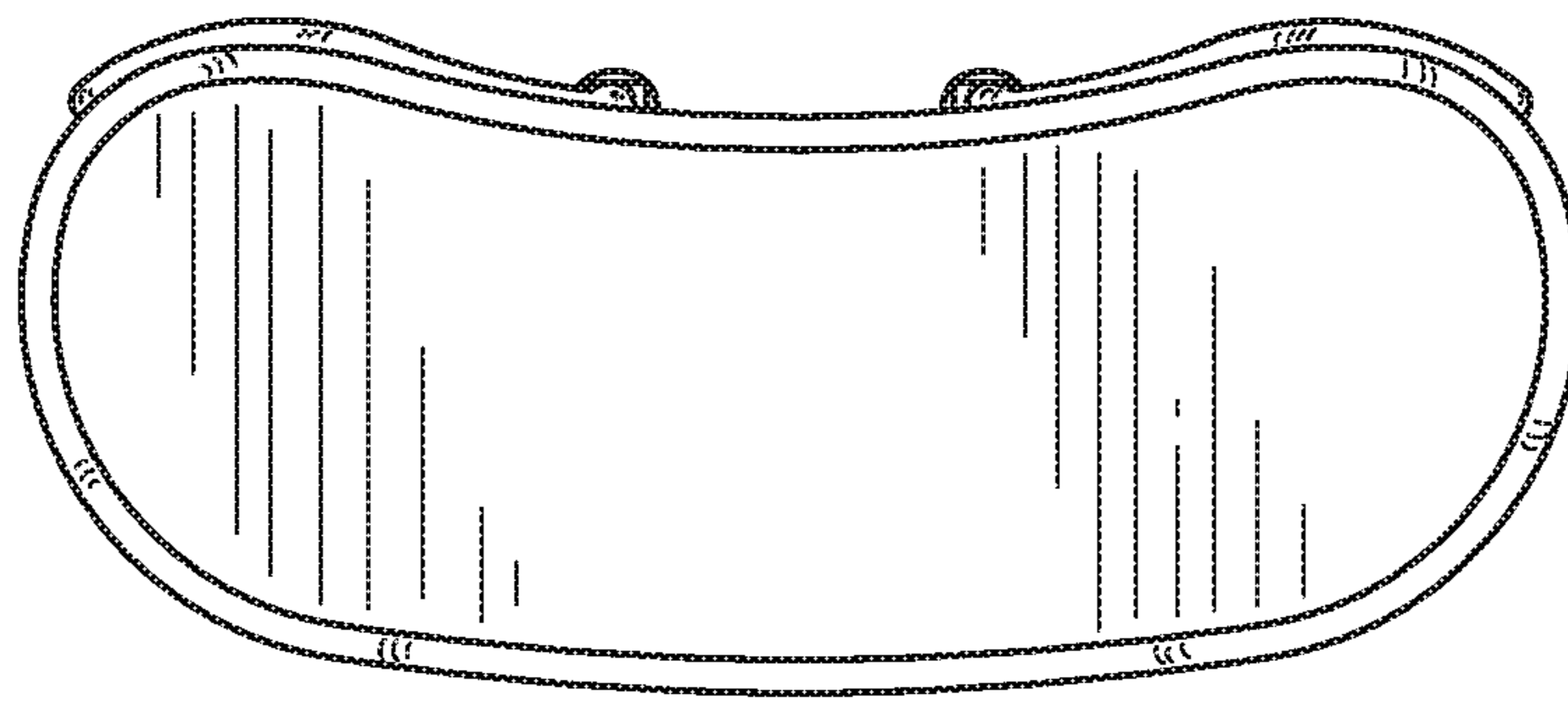


FIG. 12