

US00D929805S

(12) **United States Design Patent** (10) **Patent No.:** **US D929,805 S**  
**Hamilton** (45) **Date of Patent:** **\*\* Sep. 7, 2021**

(54) **WHEEL CHIMNEY CAP**

OTHER PUBLICATIONS

(71) Applicant: **William Todd Hamilton**, Brentwood, TN (US)

Chef Dez, The rEGGulator Cap by Big Green Egg, Nov. 6, 2019, Youtube, <https://www.youtube.com/watch?v=nKDW7kFNAMw> (Year: 2019).\*

(72) Inventor: **William Todd Hamilton**, Brentwood, TN (US)

(Continued)

(\*\*) Term: **15 Years**

*Primary Examiner* — Brett Miller

(74) *Attorney, Agent, or Firm* — Ross Brandborg

(21) Appl. No.: **29/749,038**

(57) **CLAIM**

I claim the ornamental design of a wheel chimney cap, as shown and described.

(22) Filed: **Sep. 2, 2020**

(51) **LOC (13) Cl.** ..... **07-02**

(52) **U.S. Cl.**  
USPC ..... **D7/402**

**DESCRIPTION**

(58) **Field of Classification Search**  
USPC ..... D7/323, 331–338, 402–409; D23/373, D23/374, 376, 393  
CPC ..... F23L 17/02; F23J 13/08; A47J 37/0786; F24B 1/1895  
See application file for complete search history.

FIG. 1 shows a perspective view of the wheelarm section; FIG. 2 shows a side view thereof; FIG. 3 shows a top view thereof; FIG. 4 shows a back view thereof; FIG. 5 shows a bottom view thereof. FIG. 6 shows a perspective view of the cap section. FIG. 7 shows a side perspective view thereof; FIG. 8 shows a bottom view thereof; FIG. 9 shows a top view of the wheel chimney cap; FIG. 10 shows a perspective combined view of the wheel chimney cap; FIG. 11 shows a front combined view of the wheel chimney cap; FIG. 12 shows a separated front view of the wheel chimney cap; FIG. 13 shows a separated side view of the wheel chimney cap; and, FIG. 14 shows the wheel chimney cap in place on a chimney. Certain lines are presented herein to provide shading in order to provide a fuller understanding of the invention. Such shading lines form no part of the claimed design. Certain features are presented in broken lines to show environment and form no part of the claimed design

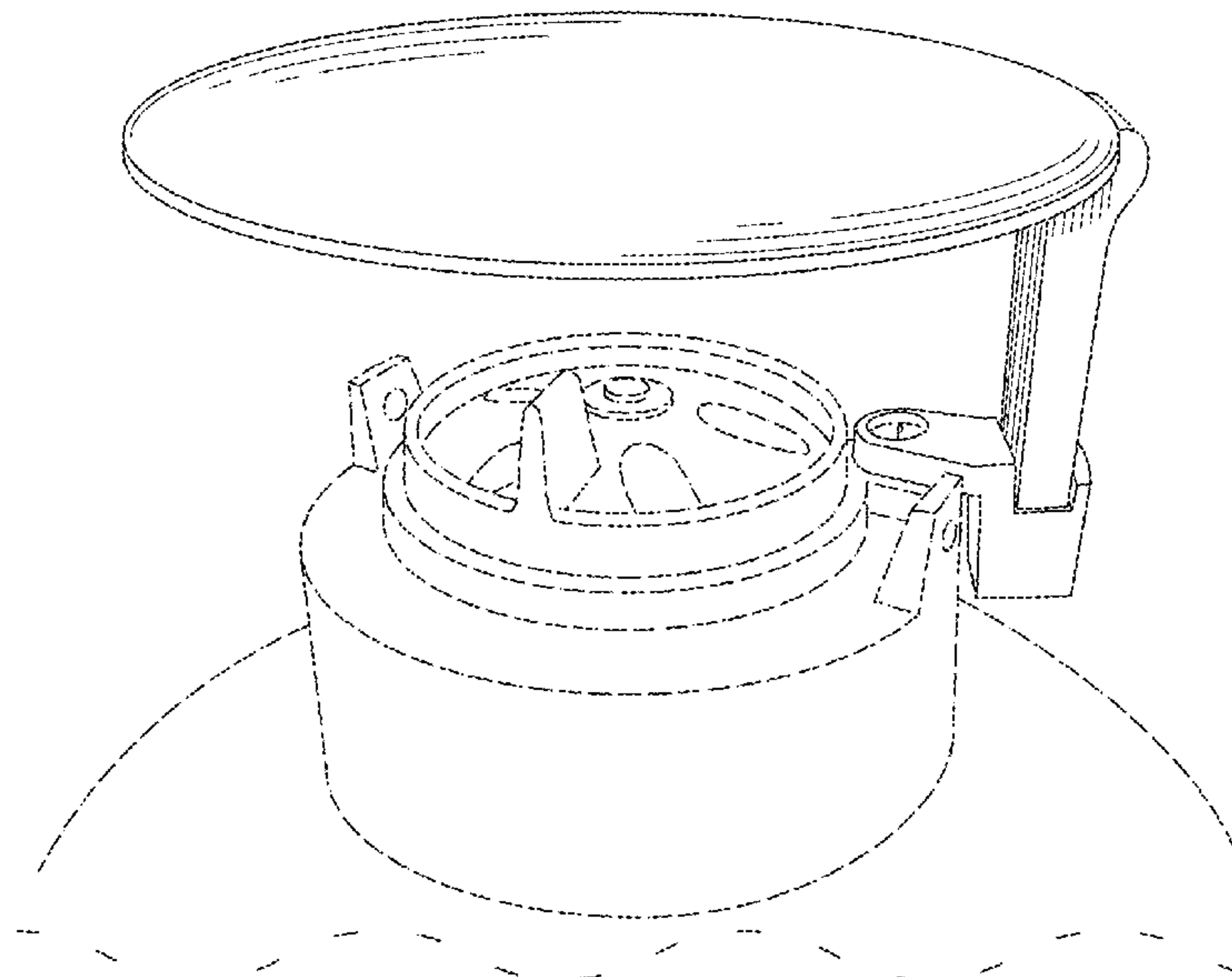
(56) **References Cited**

U.S. PATENT DOCUMENTS

3,183,822 A \* 5/1965 Stone ..... F23L 17/02 454/38  
D223,065 S \* 3/1972 Turner ..... D7/334  
4,142,457 A \* 3/1979 Zaniewski ..... F23L 17/02 454/38  
D514,935 S \* 2/2006 Sturk ..... D9/449  
D605,749 S 12/2009 Arnold, Jr.  
D766,419 S \* 9/2016 Merritt ..... D7/402  
D817,090 S \* 5/2018 Bogazzi ..... D7/402  
D923,384 S \* 6/2021 Liang ..... D7/334  
D925,263 S \* 7/2021 Bahreinian ..... D7/332  
2006/0111034 A1 \* 5/2006 Parry ..... F23L 17/02 454/3  
2006/0211356 A1 9/2006 Grassman  
2017/0370592 A1 \* 12/2017 Bogazzi ..... F24B 5/087

(Continued)

**1 Claim, 14 Drawing Sheets**



(56)

**References Cited**

U.S. PATENT DOCUMENTS

2018/0177336 A1\* 6/2018 Brennan ..... A47J 37/0786

OTHER PUBLICATIONS

BigGreenEggHQ, rEGGulator Rain Cap, Sep. 19, 2018, youtube, [https://www.youtube.com/watch?v=\\_IGyVYkl8Y8](https://www.youtube.com/watch?v=_IGyVYkl8Y8) (Year: 2018).\*

3 in 1 Cast Iron Cap for Big Green Egg, KAMaster, Apr. 11, 2020, Amazon, <https://www.amazon.com/Medium-XLarge-Must-Have-Accessories-Replacement/dp/B082G49H28> (Year: 2020).\*

\* cited by examiner

FIG.1

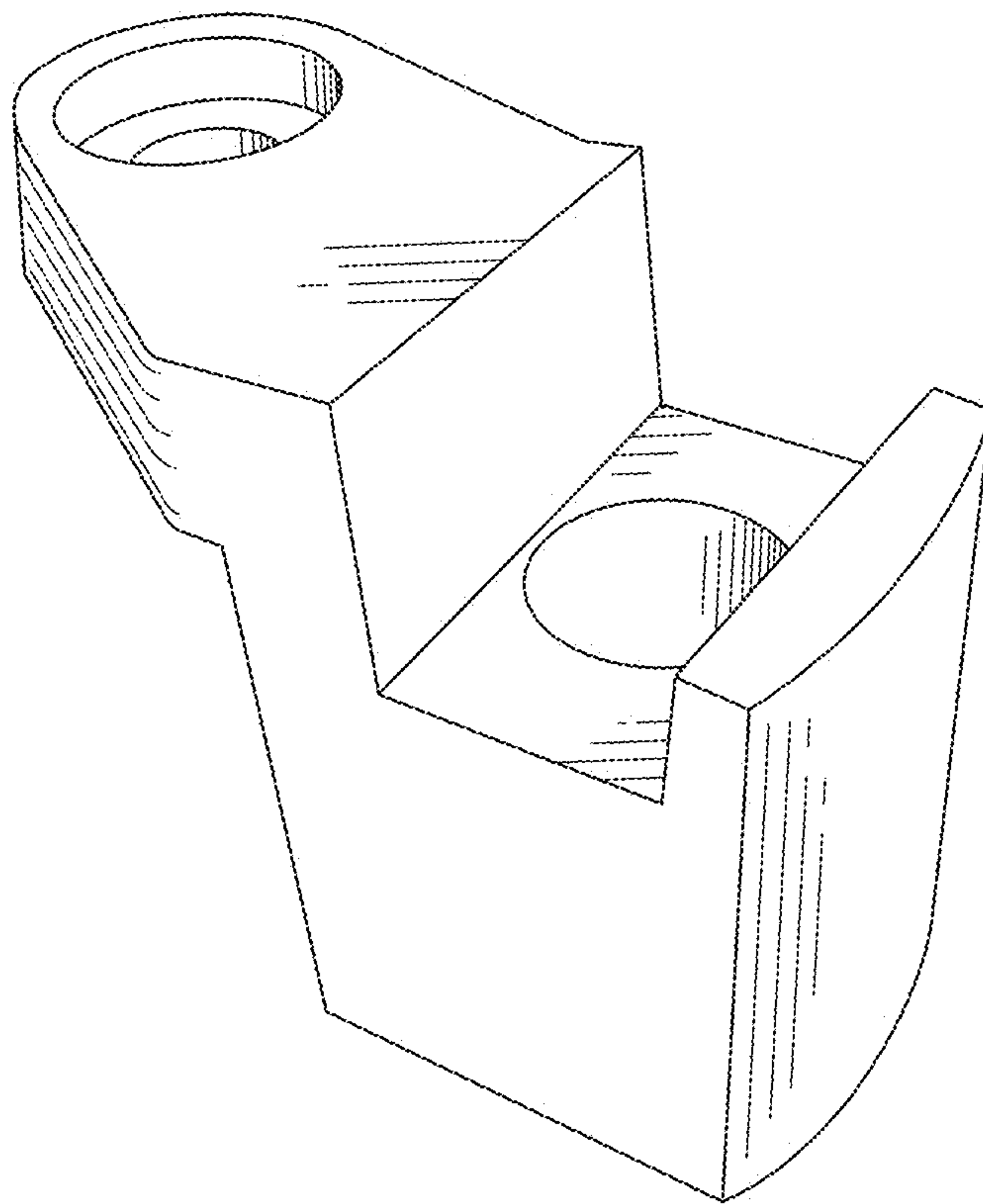


FIG.2

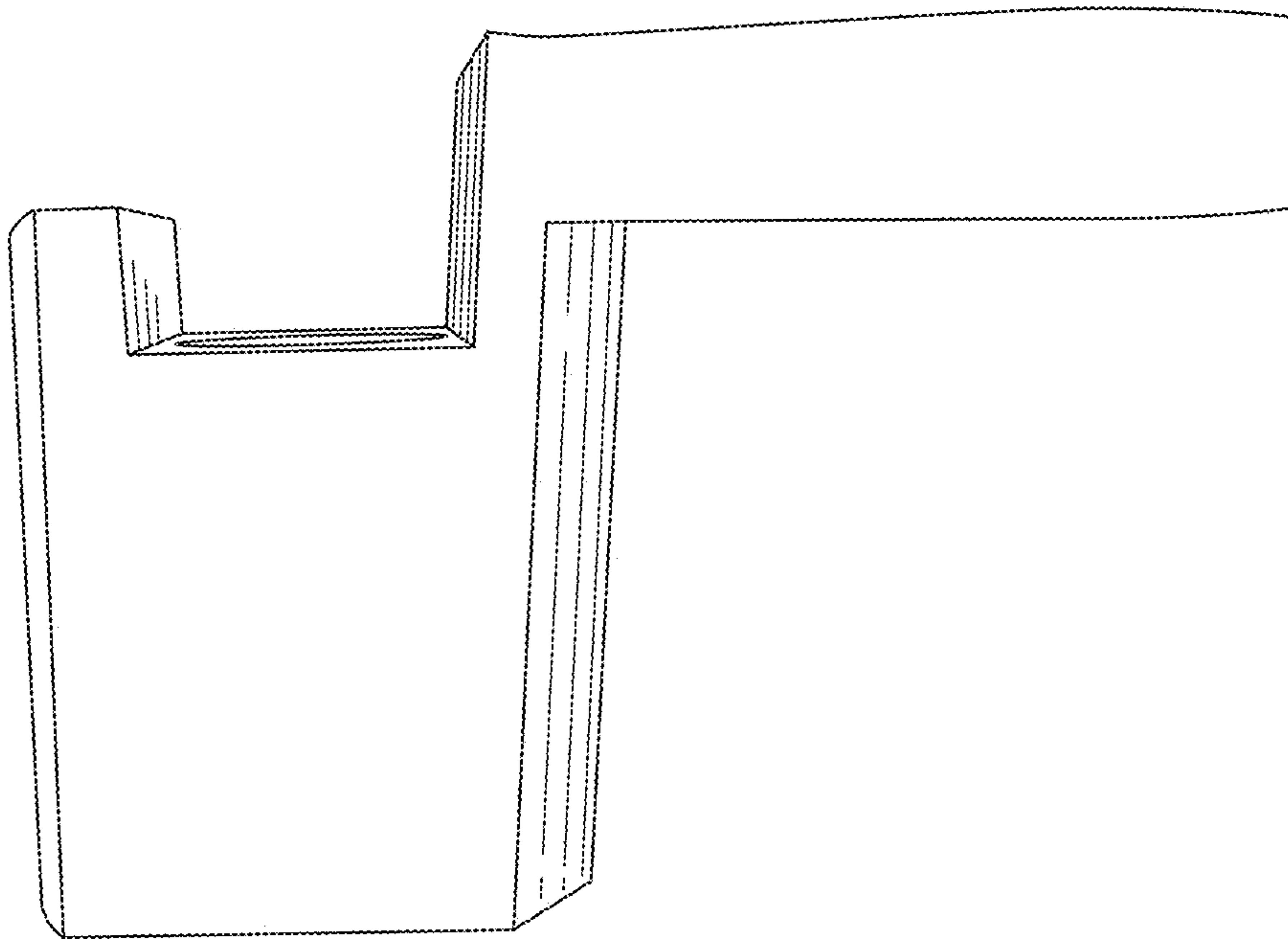


FIG.3

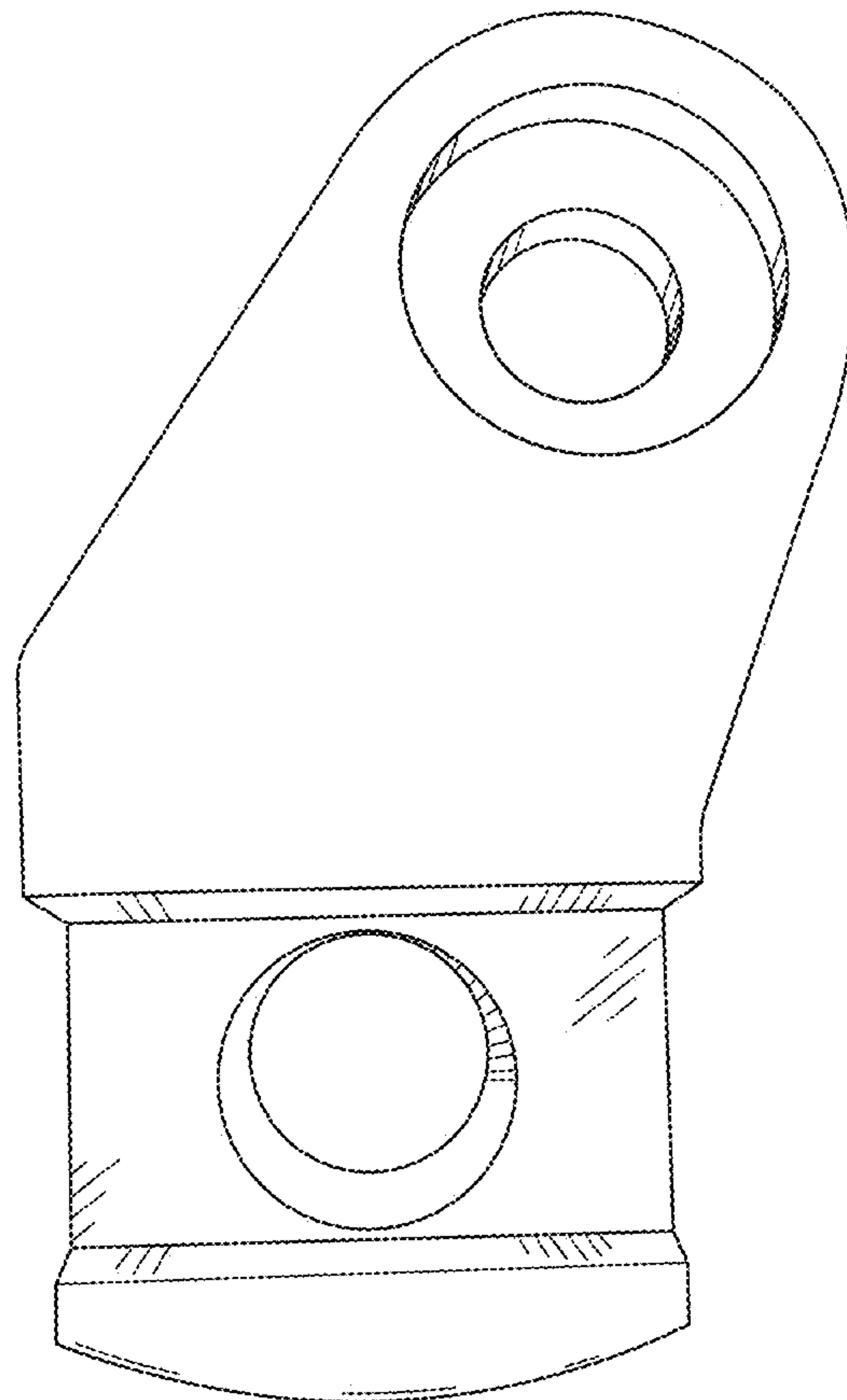


FIG.4

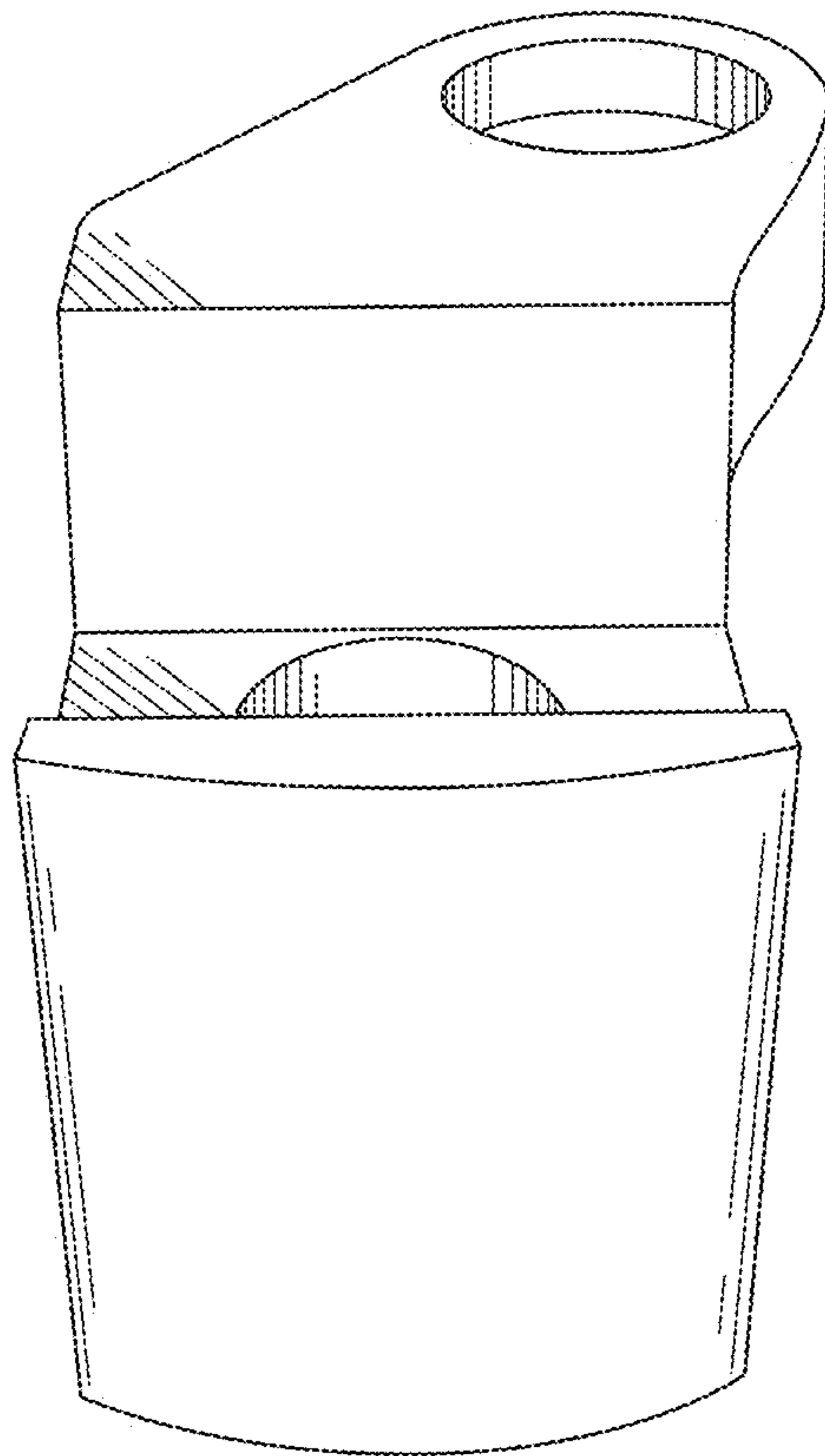


FIG.5

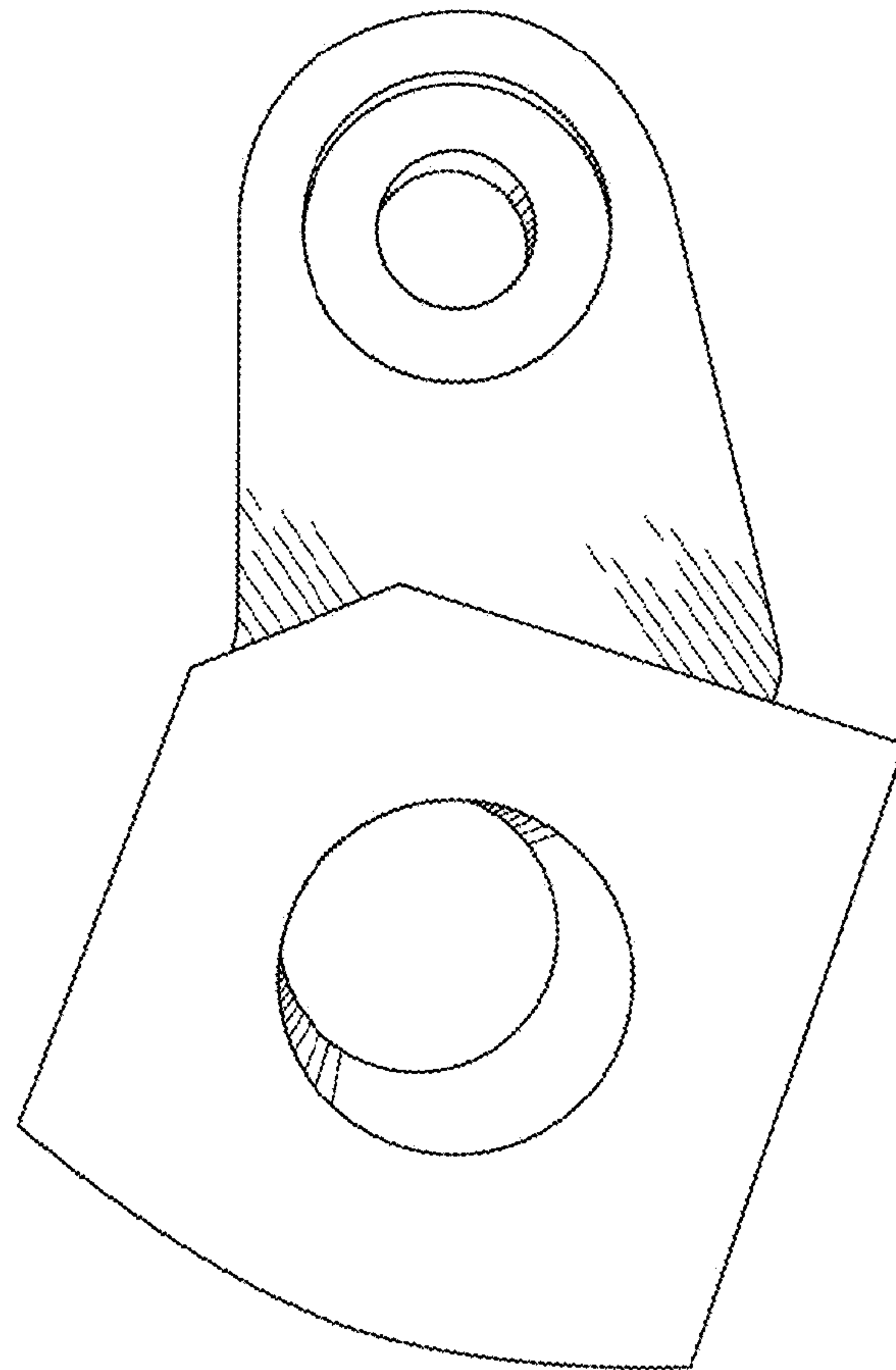


FIG.6

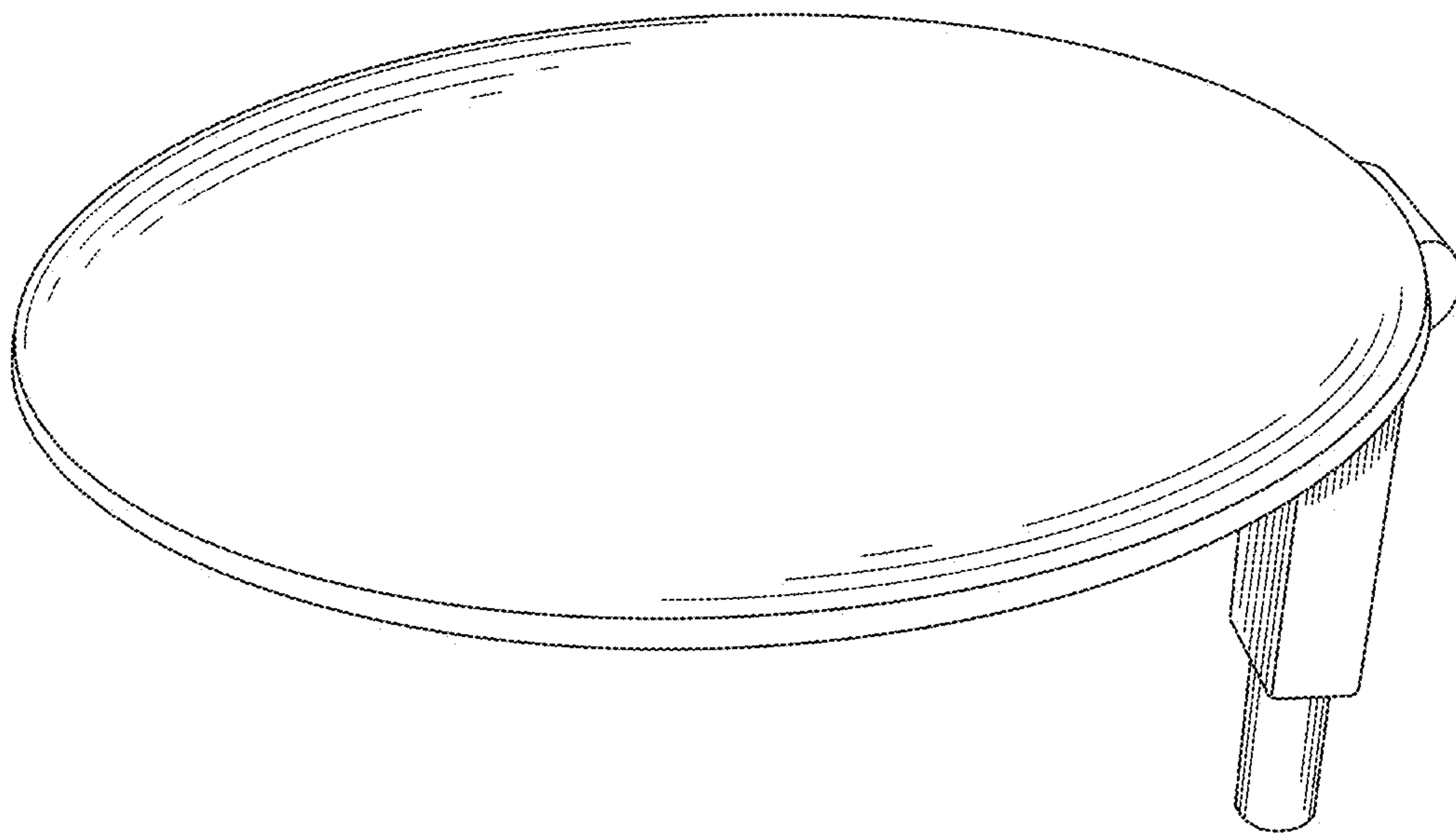




FIG.7

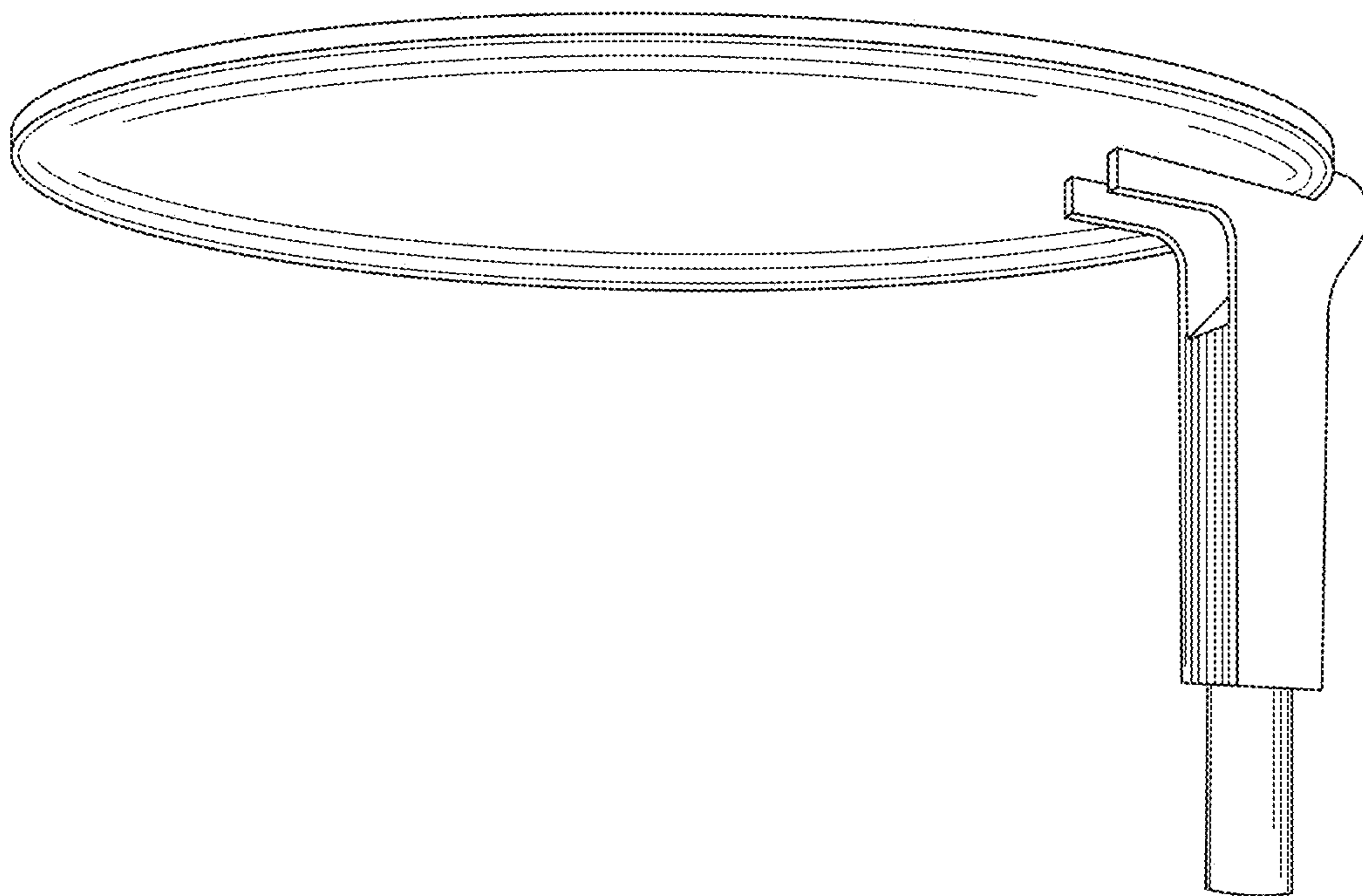


FIG.8

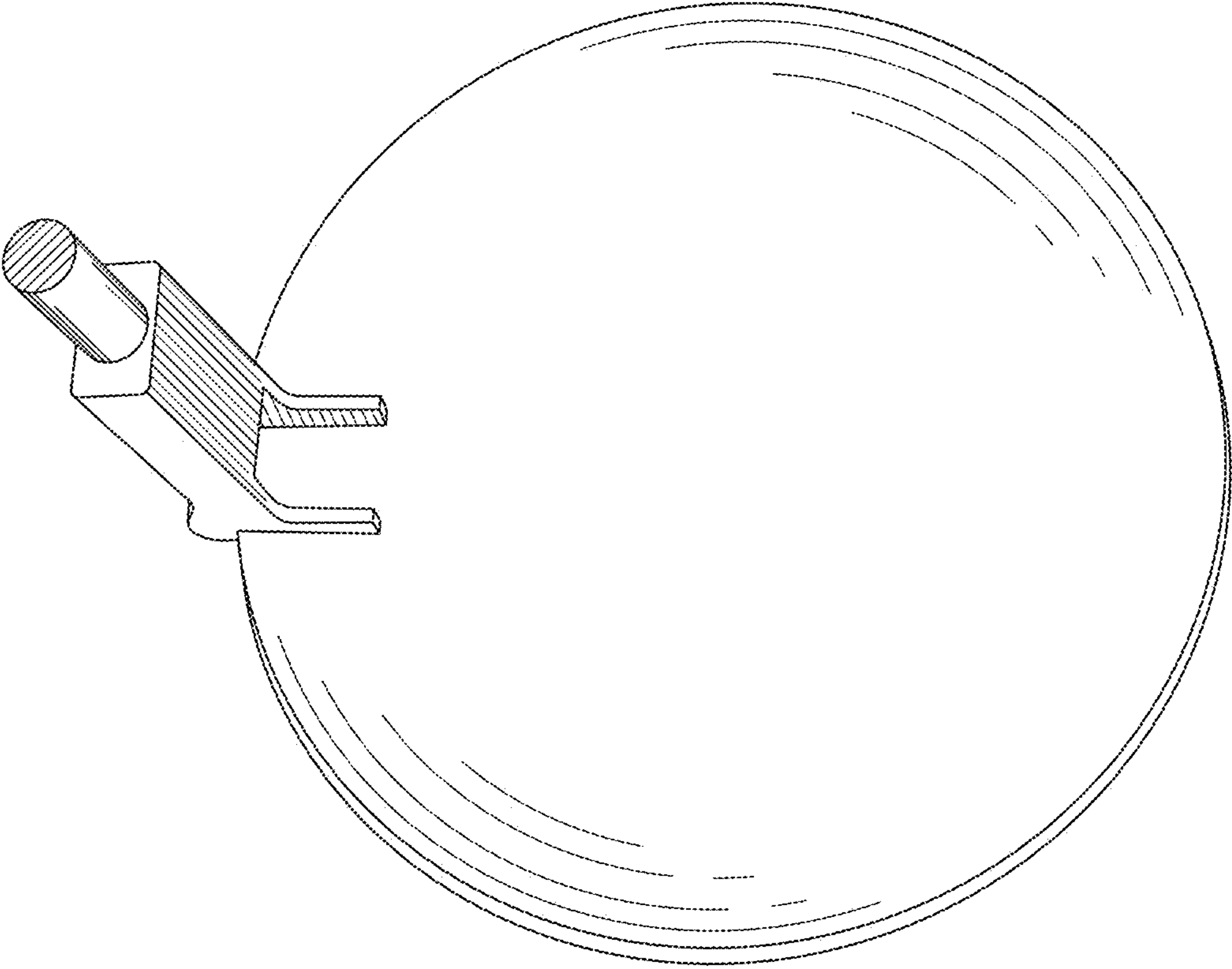


FIG.9

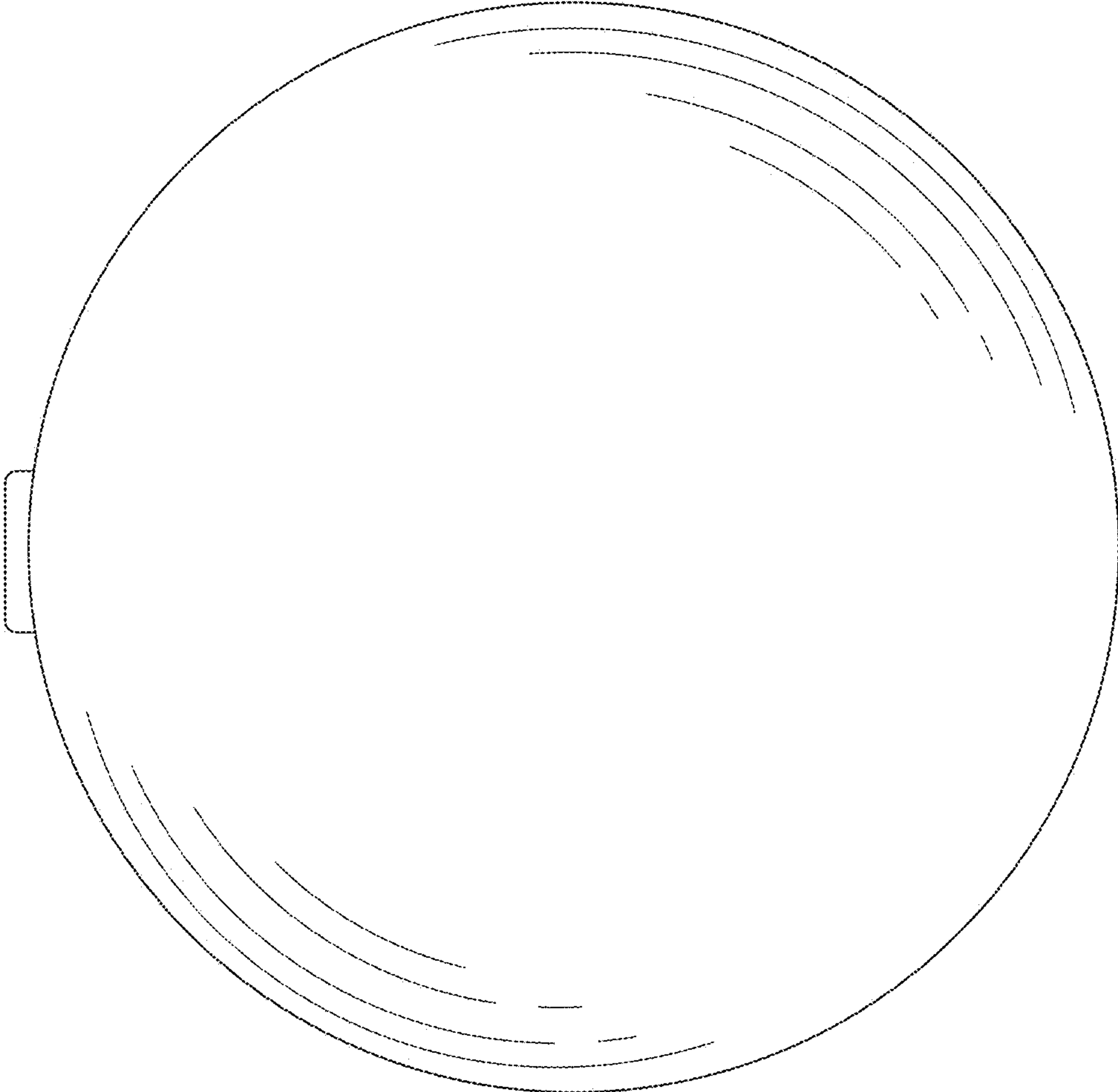


FIG.10

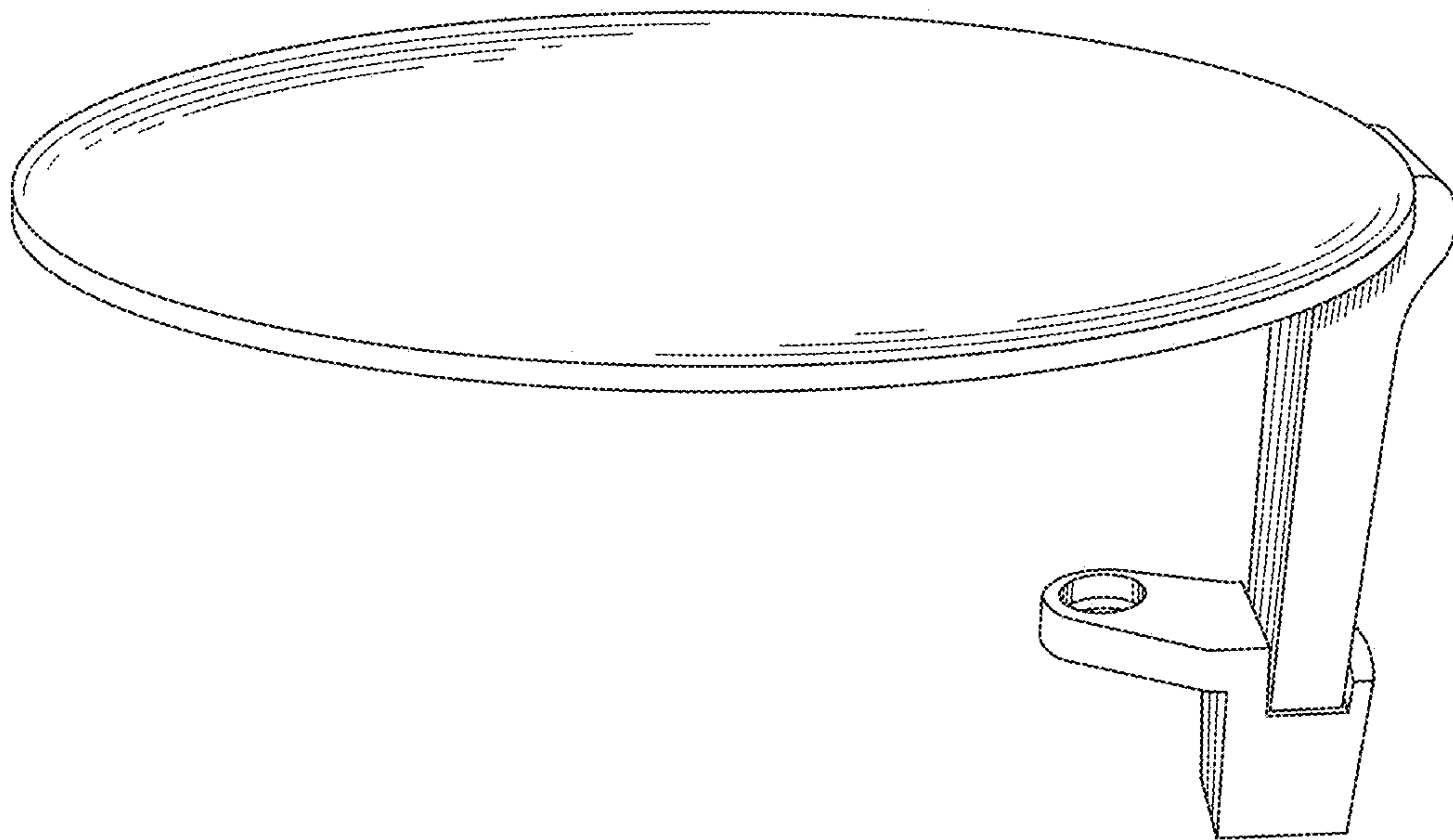


FIG.11

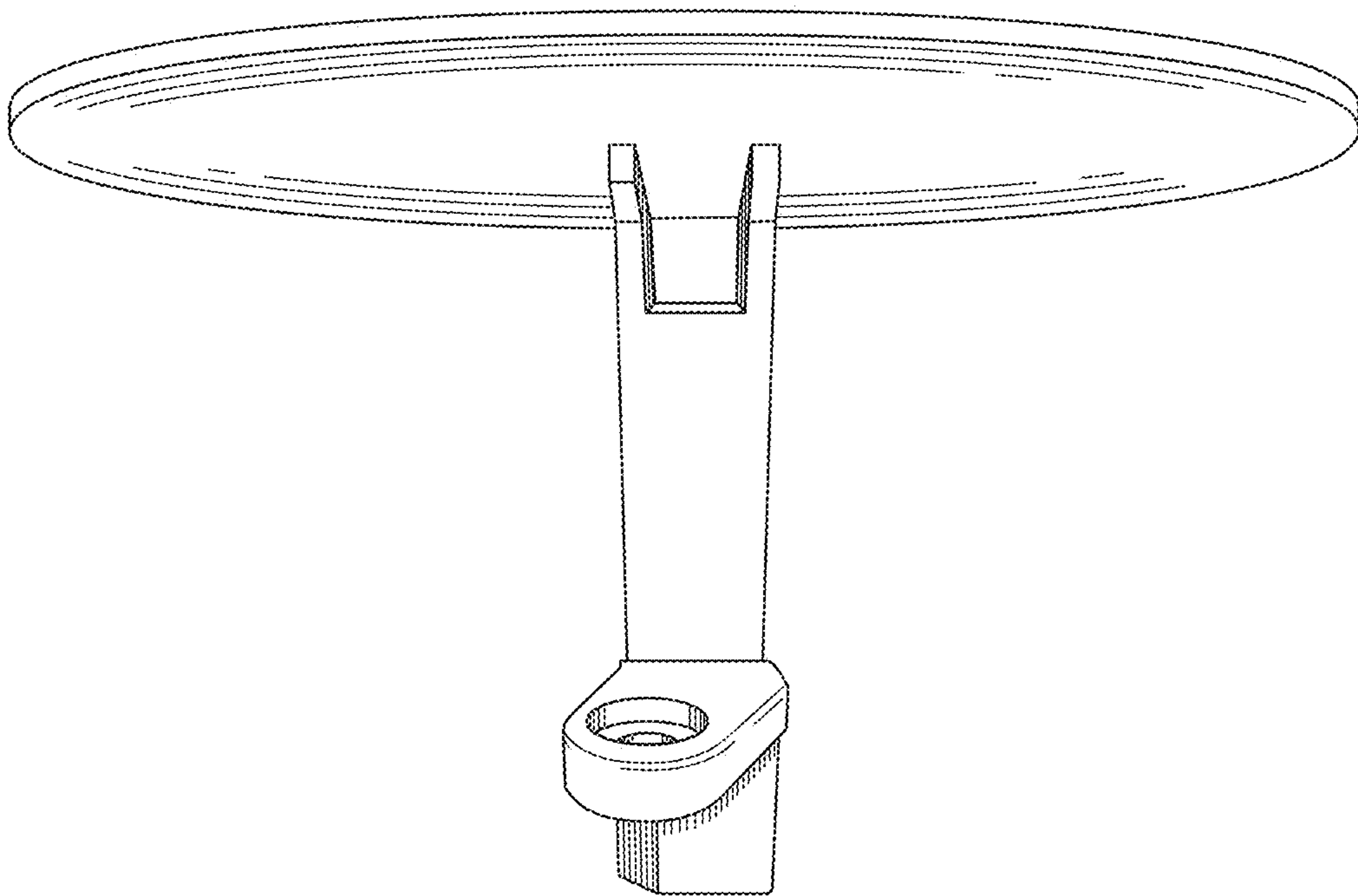


FIG.12

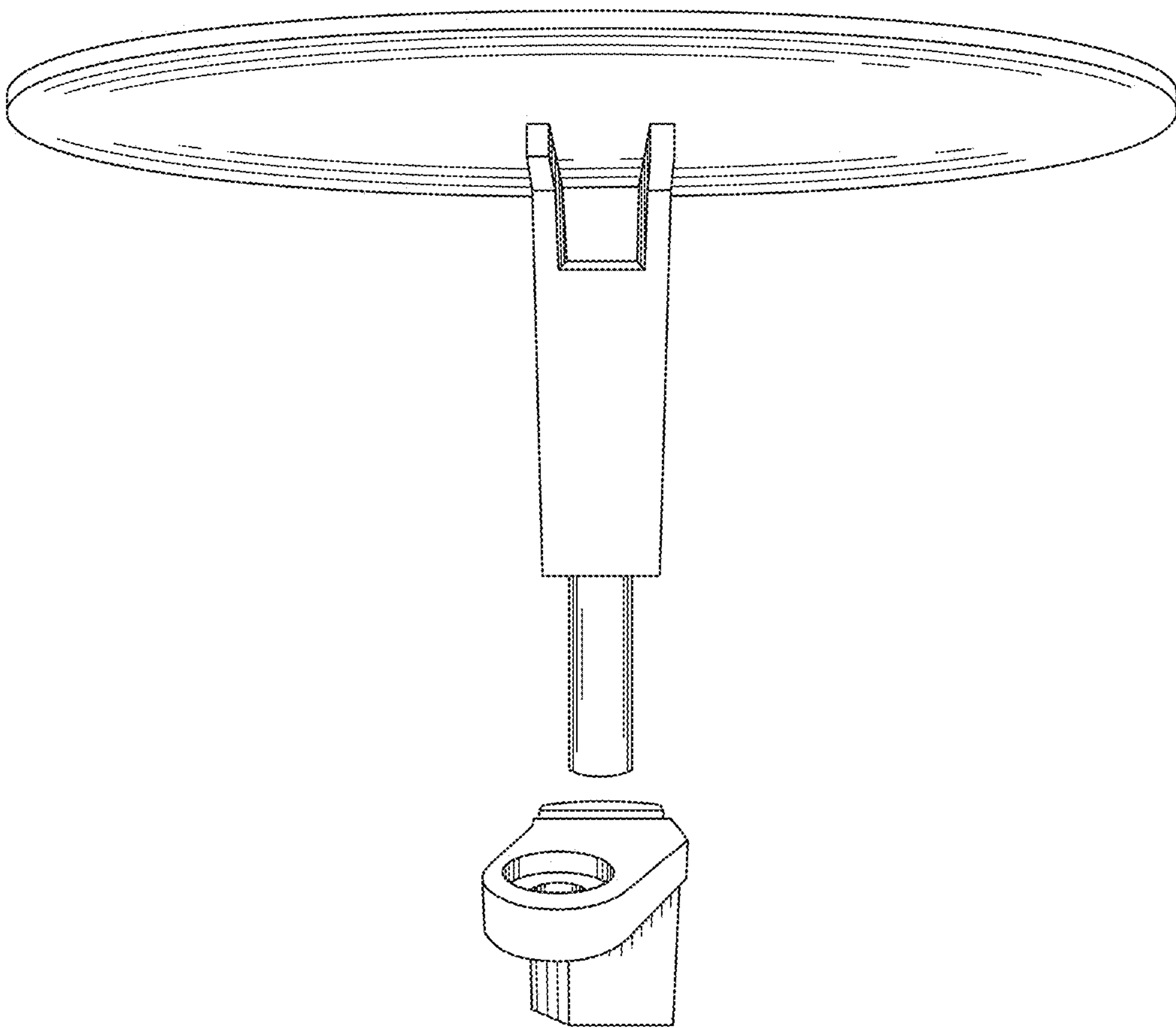


FIG.13

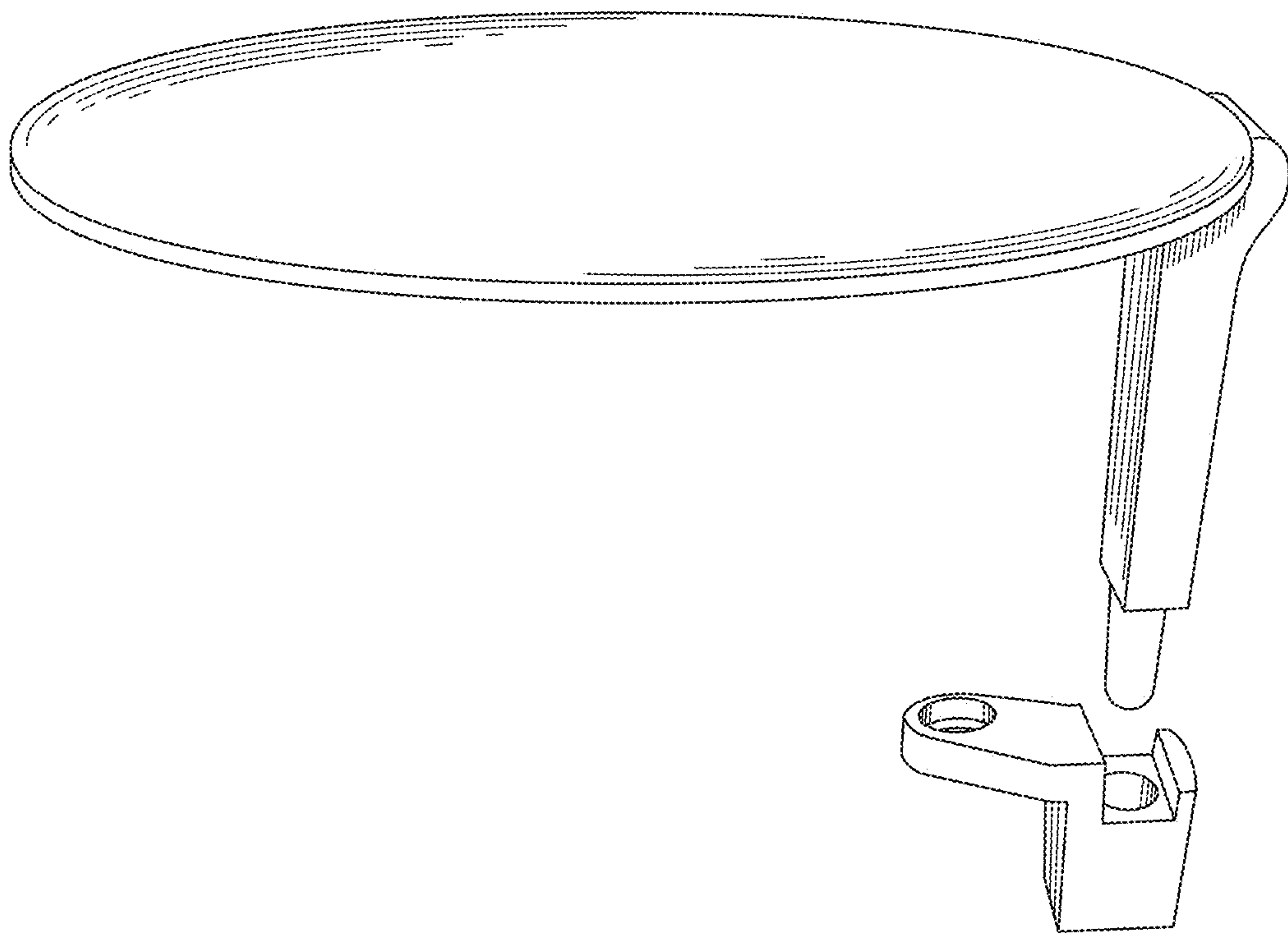


FIG.14

