



US00D929803S

(12) **United States Design Patent** (10) **Patent No.:** **US D929,803 S**
Mou (45) **Date of Patent:** **** Sep. 7, 2021**

(54) **LID WITH COMBINATION STRAW AND HANDLE**

(71) Applicant: **Linwei Mou**, Changning (CN)

(72) Inventor: **Linwei Mou**, Changning (CN)

(**) Term: **15 Years**

(21) Appl. No.: **29/759,568**

(22) Filed: **Nov. 24, 2020**

(51) **LOC (13) Cl.** **07-01**

(52) **U.S. Cl.**
USPC **D7/392.1**

(58) **Field of Classification Search**
USPC D7/392, 392.1, 396.1, 396.2, 397, 509,
D7/510, 533, 619.1, 622; D9/435, 443,
D9/516
CPC B65D 47/066; B65D 47/2037; A47G
19/2272
See application file for complete search history.

(56) **References Cited**

U.S. PATENT DOCUMENTS

D372,426 S *	8/1996	Garnett	D7/392.1
D429,948 S *	8/2000	Tate	D7/392.1
D433,275 S *	11/2000	Betras	D7/392.1
D722,872 S *	2/2015	Bowman	D9/436
D781,640 S *	3/2017	Roth	D7/392.1
D798,105 S	9/2017	Stover et al.		
D815,890 S *	4/2018	Boroski	D9/436
D875,466 S	2/2020	Diener et al.		
D886,517 S	6/2020	Bo		
D887,776 S	6/2020	Bo		
D894,671 S	9/2020	Huang		
D896,026 S *	9/2020	Chu	D9/439
D897,761 S	10/2020	Bo		
D903,409 S *	12/2020	Yeung	D7/392.1
2002/0148806 A1 *	10/2002	Cheng	A45F 3/18 215/388

2006/0060556 A1 *	3/2006	Lee	B65D 51/246 215/388
2017/0333893 A1 *	11/2017	Ziegler	B65D 43/0225
2020/0085217 A1 *	3/2020	Heiberger	B65D 47/243
2020/0324947 A1 *	10/2020	Cunningham	B65D 43/0202

OTHER PUBLICATIONS

“Mason Jar Lifestyle: Silicone Straw-Hole-Tumbler Lid with Stainless Steel Band for Mason Jars”. Found online Jun. 24, 2020 at masonjarlifestyle.com. Reference dated Sep. 13, 2017. Retrieved from <https://masonjarlifestyle.com/product/silicone-straw-hole-tumbler-and-fermentation-lids-for-wide-mouth-mason-jars/>.*

(Continued)

Primary Examiner — Kendra Leslie Hamilton
(74) *Attorney, Agent, or Firm* — Rumit Ranjit Kanakia

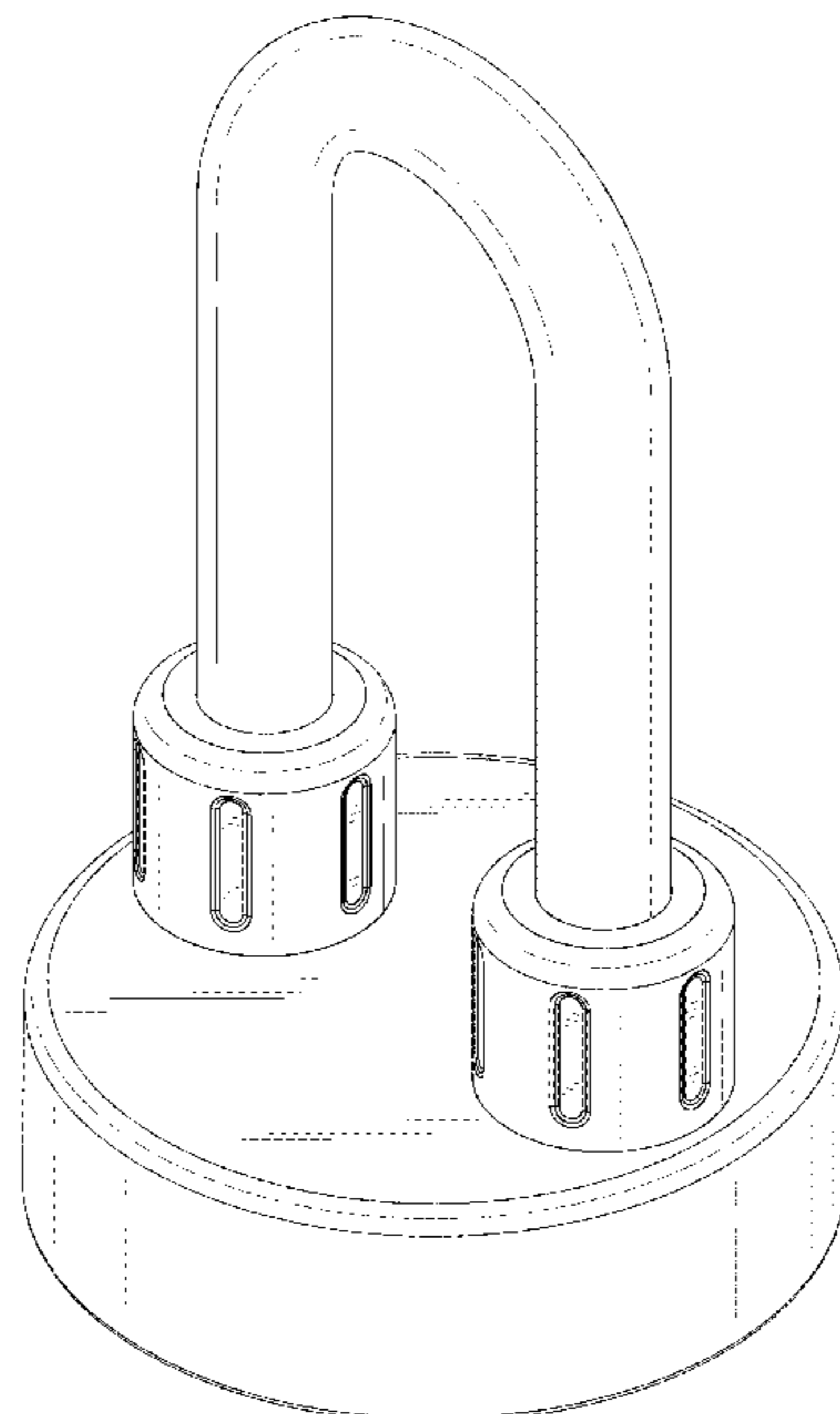
(57) **CLAIM**

The ornamental design for a lid with combination straw and handle, as shown and described.

DESCRIPTION

FIG. 1 is a top, front, left perspective view of a lid with combination straw and handle showing my new design in open position;
FIG. 2 is front elevation view thereof;
FIG. 3 is back elevation view thereof;
FIG. 4 is a left-side elevation view thereof;
FIG. 5 is a right-side view thereof;
FIG. 6 is a top view thereof; and,
FIG. 7 is a bottom view thereof.
The broken lines in the drawings depict portions of the lid with combination straw and handle that form no part of the claimed design.

1 Claim, 7 Drawing Sheets



(56)

References Cited

OTHER PUBLICATIONS

“Pride Nanjing: U-Shaped Drinking Straw”. Found online Jul. 18, 2016 at pridetechnology.com. Reference dated Dec. 7, 2010. Retrieved from http://pridetechnology.com/offer_detail/Sell_Drinking_straws_U_shape--9709408.html.*

“GreenPaxx: Universal Cup Lid”. Found online Nov. 10, 2015 at [amazon.com](http://www.amazon.com). Reference dated Feb. 18, 2013. Retrieved from http://www.amazon.com/GreenPaxx-Universal-fits-many-glasses/dp/B0084GF5P2/ref=cm_cr_pr_product_top?ie=UTF8.*

“Stojo Collapsible/Sealing Coffee Cup with Straw”. Found online Apr. 16, 2021 at [amazon.com](http://www.amazon.com). Reference dated May 3, 2019. Retrieved from https://www.amazon.com/dp/B07RJG8GTQ/ref-sspa_dk_detail_4?.*

* cited by examiner

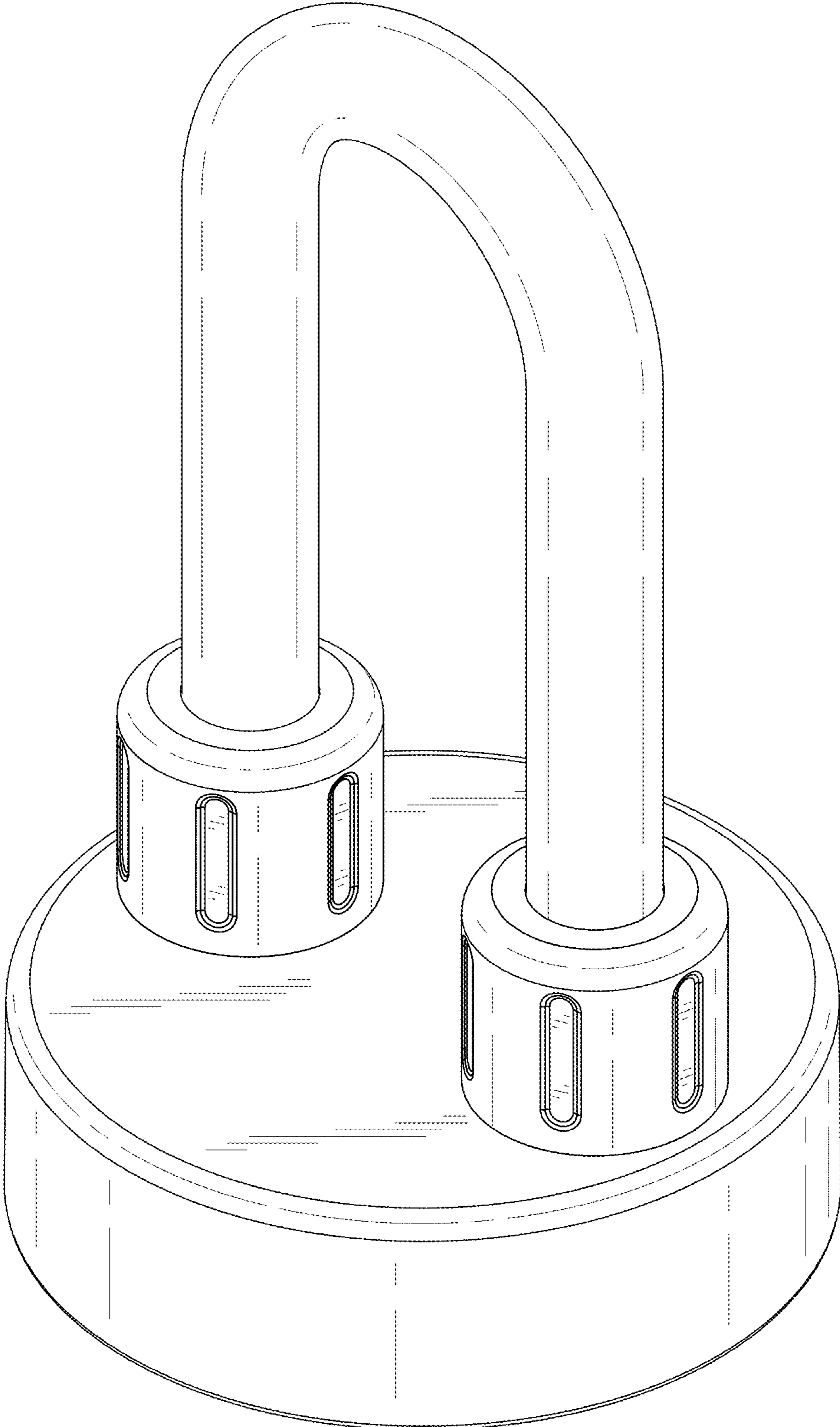


FIG. 1

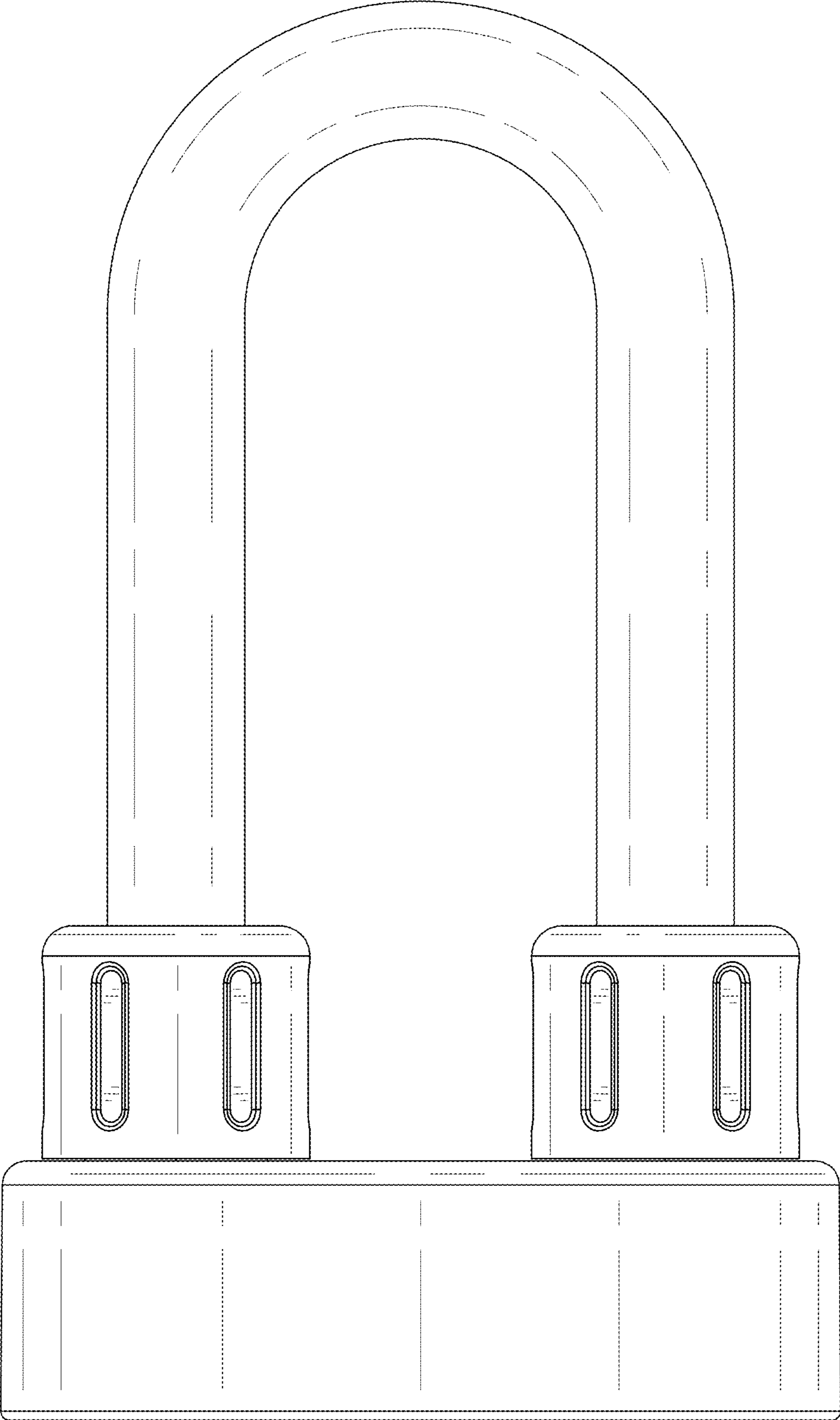


FIG. 2

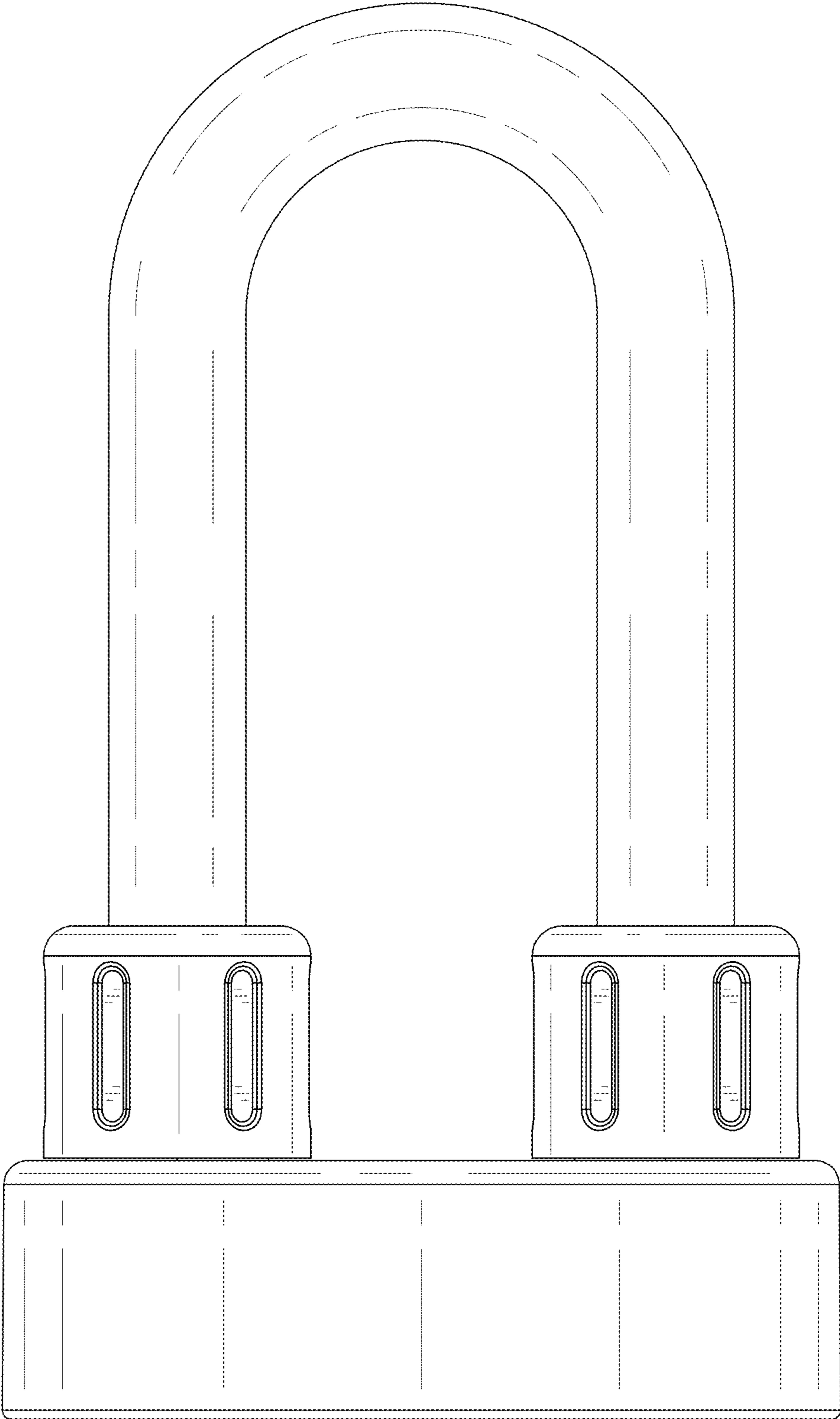


FIG. 3

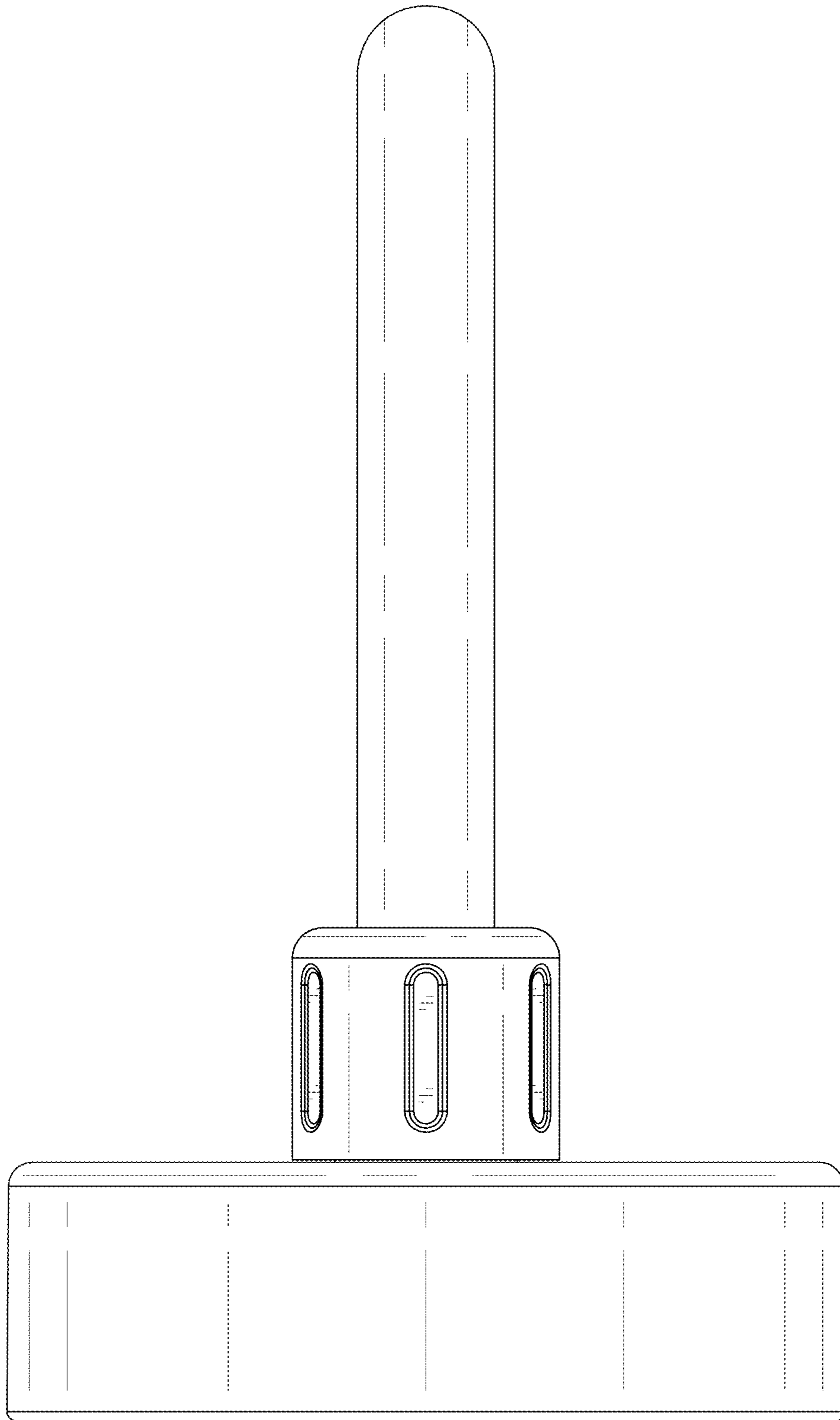


FIG. 4

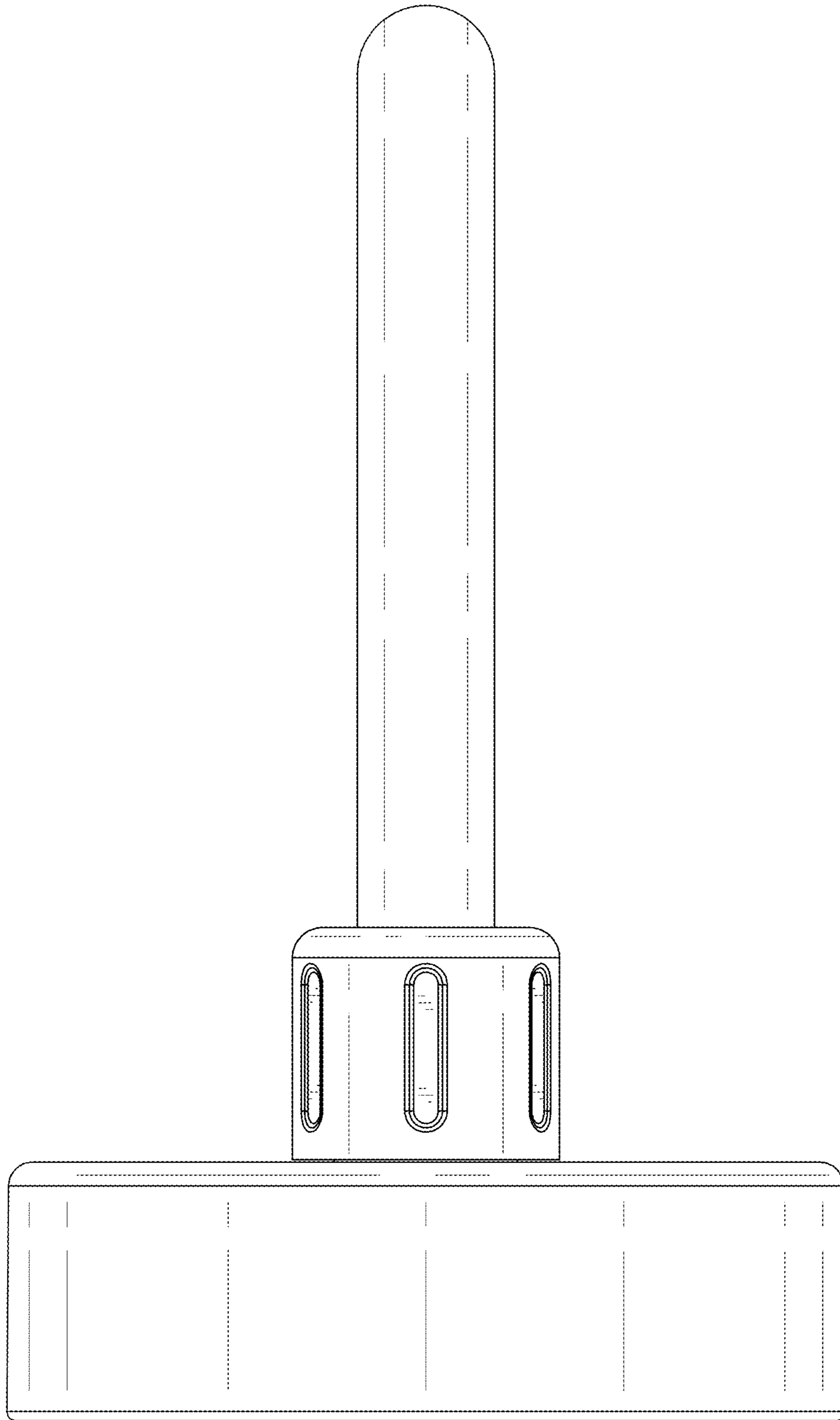


FIG. 5

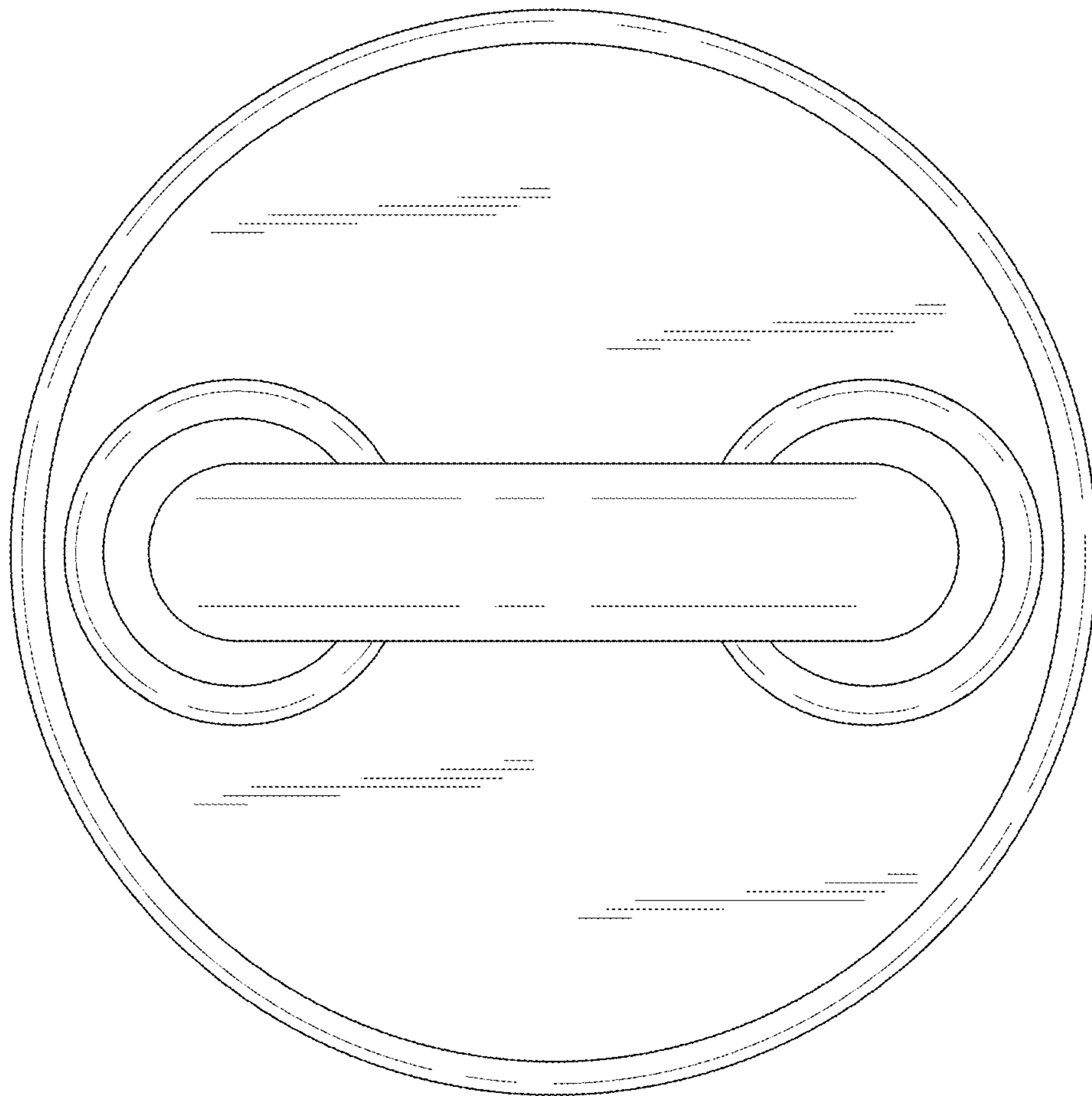


FIG. 6

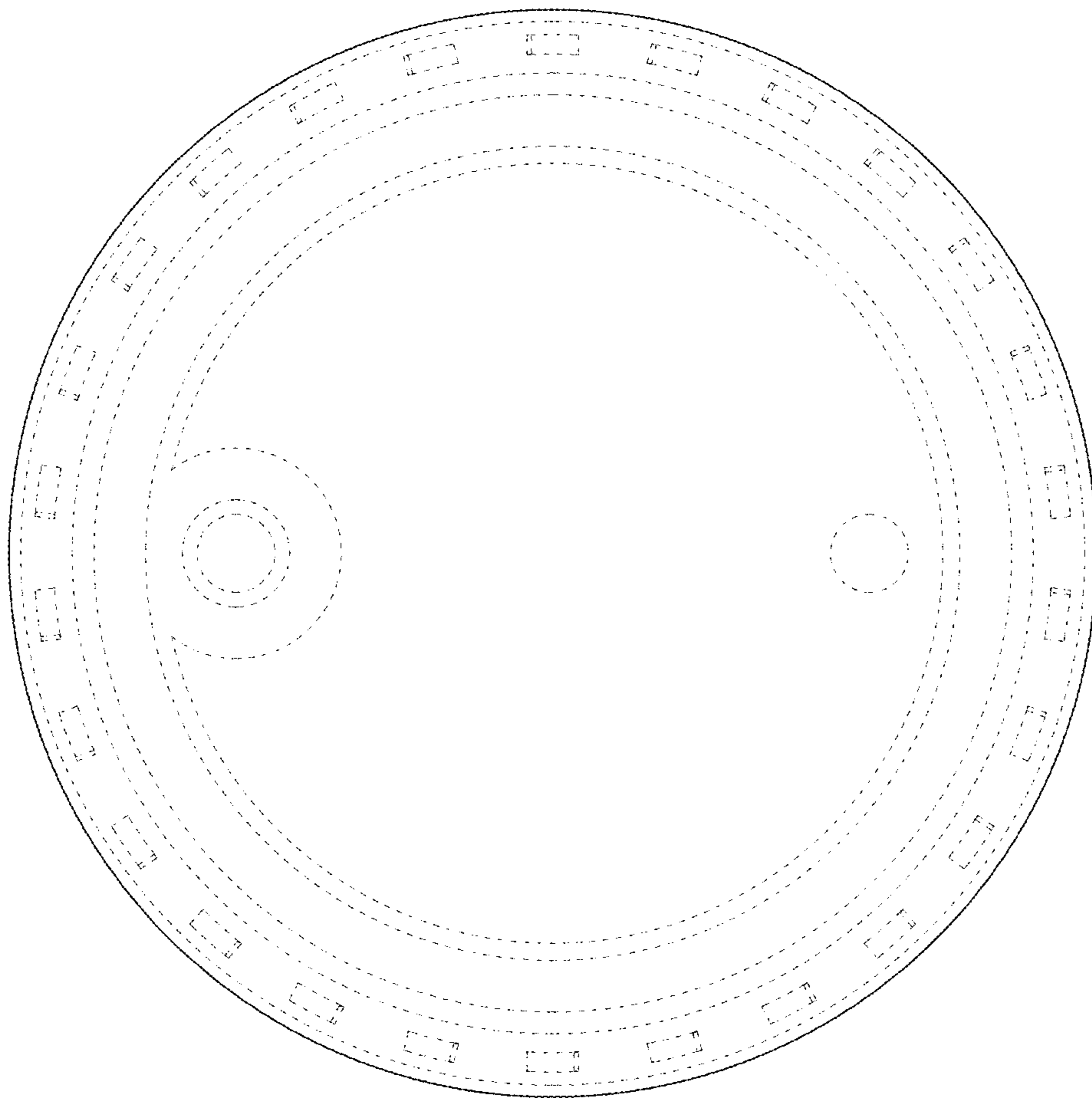


FIG. 7