



US00D929802S

(12) **United States Design Patent**  
**Han**

(10) **Patent No.:** **US D929,802 S**

(45) **Date of Patent:** **\*\* Sep. 7, 2021**

(54) **BOTTLE LID**

(71) Applicant: **T&T PLASTIC HARDWARE  
(ZHUHAI) CO., LTD.**, Guangdong  
(CN)

(72) Inventor: **Zhigang Han**, Guangdong (CN)

(73) Assignee: **T&T PLASTIC HARDWARE  
(ZHUHAI) CO., LTD.**, Guangdong  
(CN)

(\*\*) Term: **15 Years**

(21) Appl. No.: **29/751,025**

(22) Filed: **Sep. 17, 2020**

(51) **LOC (13) Cl.** ..... **07-01**

(52) **U.S. Cl.**  
USPC ..... **D7/392.1; D7/396.2**

(58) **Field of Classification Search**  
USPC ..... D7/507, 509, 510, 511, 387, 392.1,  
D7/396.2, 368, 690, 376, 300.1, 300.2,  
D7/312, 213; D9/435, 436, 530, 537,  
D9/543, 503, 504

CPC ..... A47J 43/27; A47G 19/22; A47G 19/16;  
A47G 19/2205; A47G 19/2288; B65D  
1/265

See application file for complete search history.

(56) **References Cited**

**U.S. PATENT DOCUMENTS**

RE42,484 E *	6/2011	Kitamura	.....	D7/510
D682,034 S *	5/2013	El-Saden	.....	D7/510
D774,911 S *	12/2016	Herbst	.....	D9/516
D781,640 S *	3/2017	Roth	.....	D7/392.1
D783,401 S	4/2017	Way		
D811,810 S *	3/2018	Joseph	.....	D7/392.1
D811,879 S	3/2018	Way		
D812,419 S *	3/2018	Yao	.....	D7/392.1

D814,236 S *	4/2018	Rolfson	.....	D7/392.1
D816,411 S *	5/2018	Stover	.....	D7/510
D818,317 S *	5/2018	Fu	.....	D7/510
D818,774 S *	5/2018	Stover	.....	D7/510
D849,481 S *	5/2019	Washburn	.....	D7/510
D853,181 S *	7/2019	Stanton	.....	D7/392
D865,441 S *	11/2019	Lowette	.....	D7/392
D870,508 S *	12/2019	Palkon	.....	D7/392.1
D899,850 S *	10/2020	Xie	.....	D7/392.1
10,829,275 B2 *	11/2020	Owusu	.....	B65D 51/242
D907,501 S *	1/2021	Aboabdo	.....	D9/503
D908,423 S *	1/2021	Xia	.....	D7/392.1
D909,815 S *	2/2021	Gui	.....	D7/510
2012/0187075 A1 *	7/2012	El-Saden	.....	B65D 51/242 215/389
2014/0048511 A1 *	2/2014	El-Saden	.....	A47G 19/2266 215/389
2017/0253397 A1 *	9/2017	Coon	.....	A47G 19/2272

\* cited by examiner

*Primary Examiner* — Jae Liang

(74) *Attorney, Agent, or Firm* — ScienBiziP, P.C.

(57) **CLAIM**

The ornamental design for a bottle lid, as shown and described.

**DESCRIPTION**

FIG. 1 is a perspective view of a bottle lid, showing my design.

FIG. 2 is a front elevation view thereof.

FIG. 3 is a rear elevation view thereof.

FIG. 4 is a left side elevation thereof.

FIG. 5 is a right side elevation thereof.

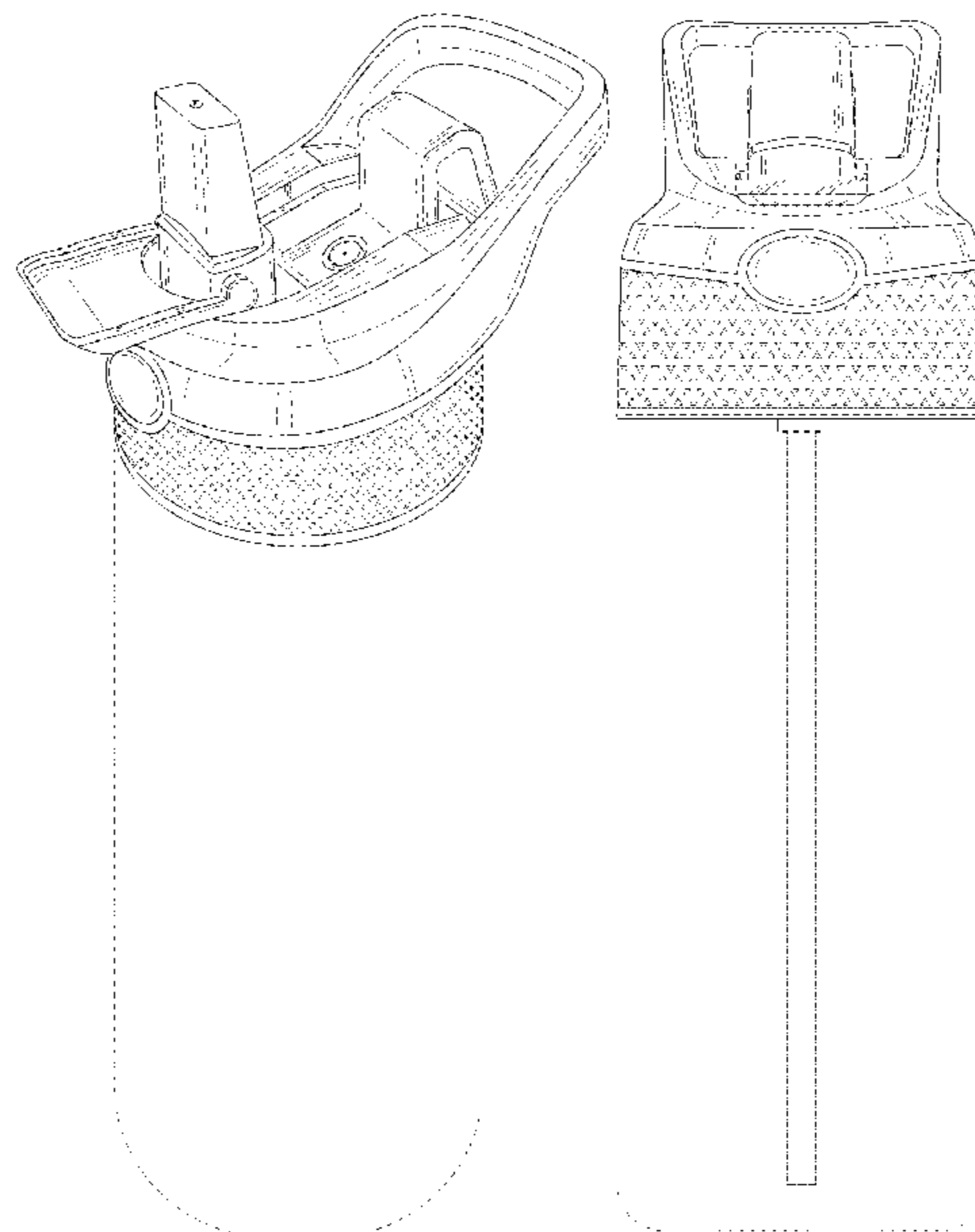
FIG. 6 is a top plan view thereof.

FIG. 7 is a bottom plan view thereof; and,

FIG. 8 is an enlarged view of an area labeled 8 in FIG. 4.

The broken lines in the drawings depict environmental structure and boundaries and form no part of the claimed design.

**1 Claim, 8 Drawing Sheets**



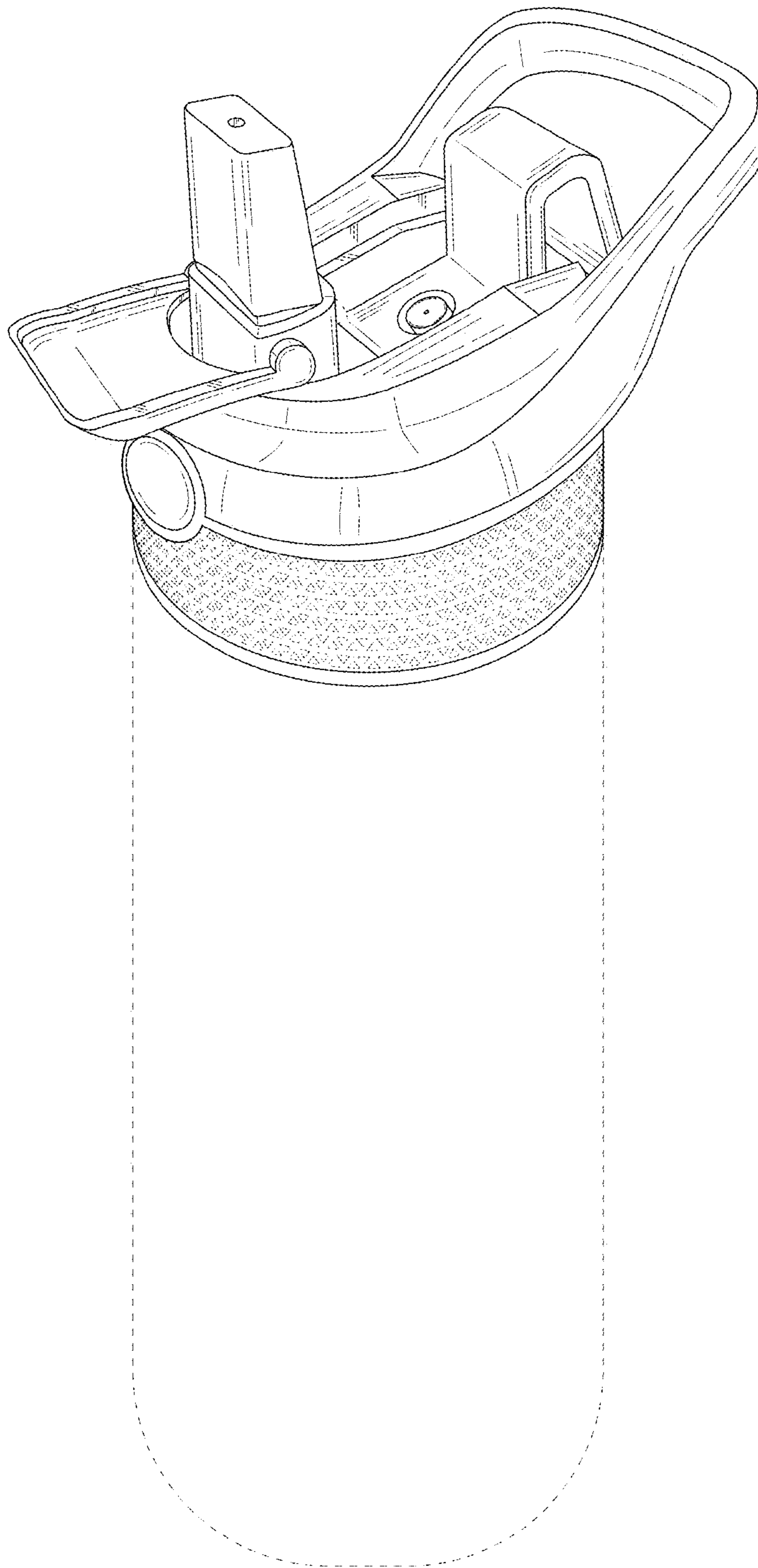


FIG.1

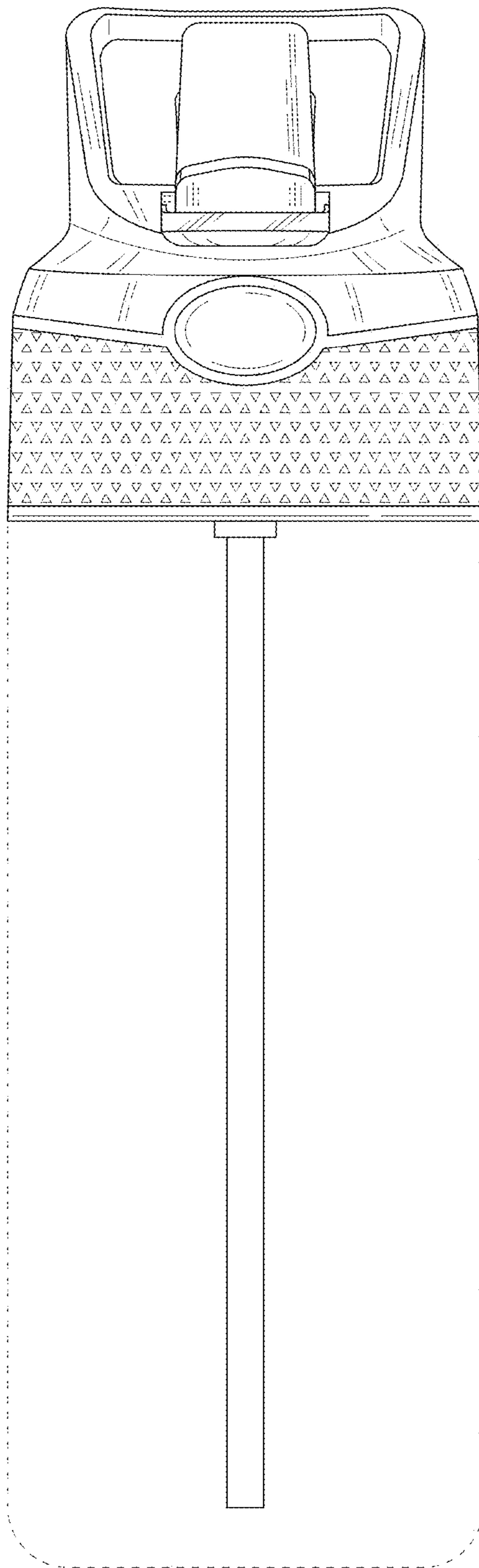


FIG.2

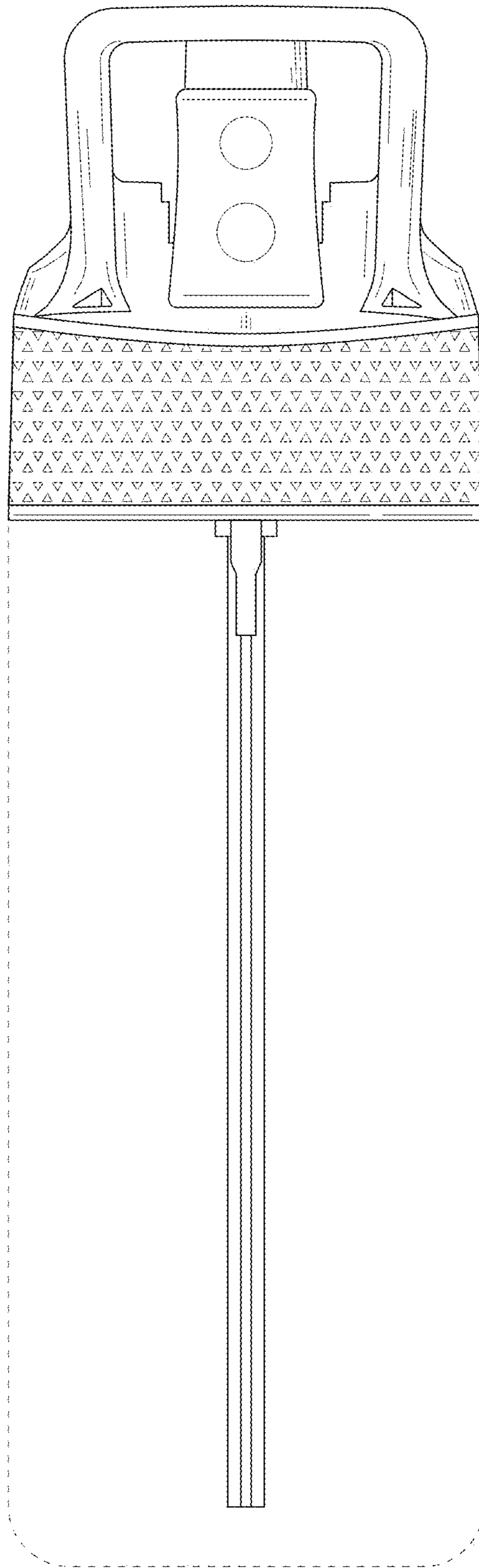


FIG.3

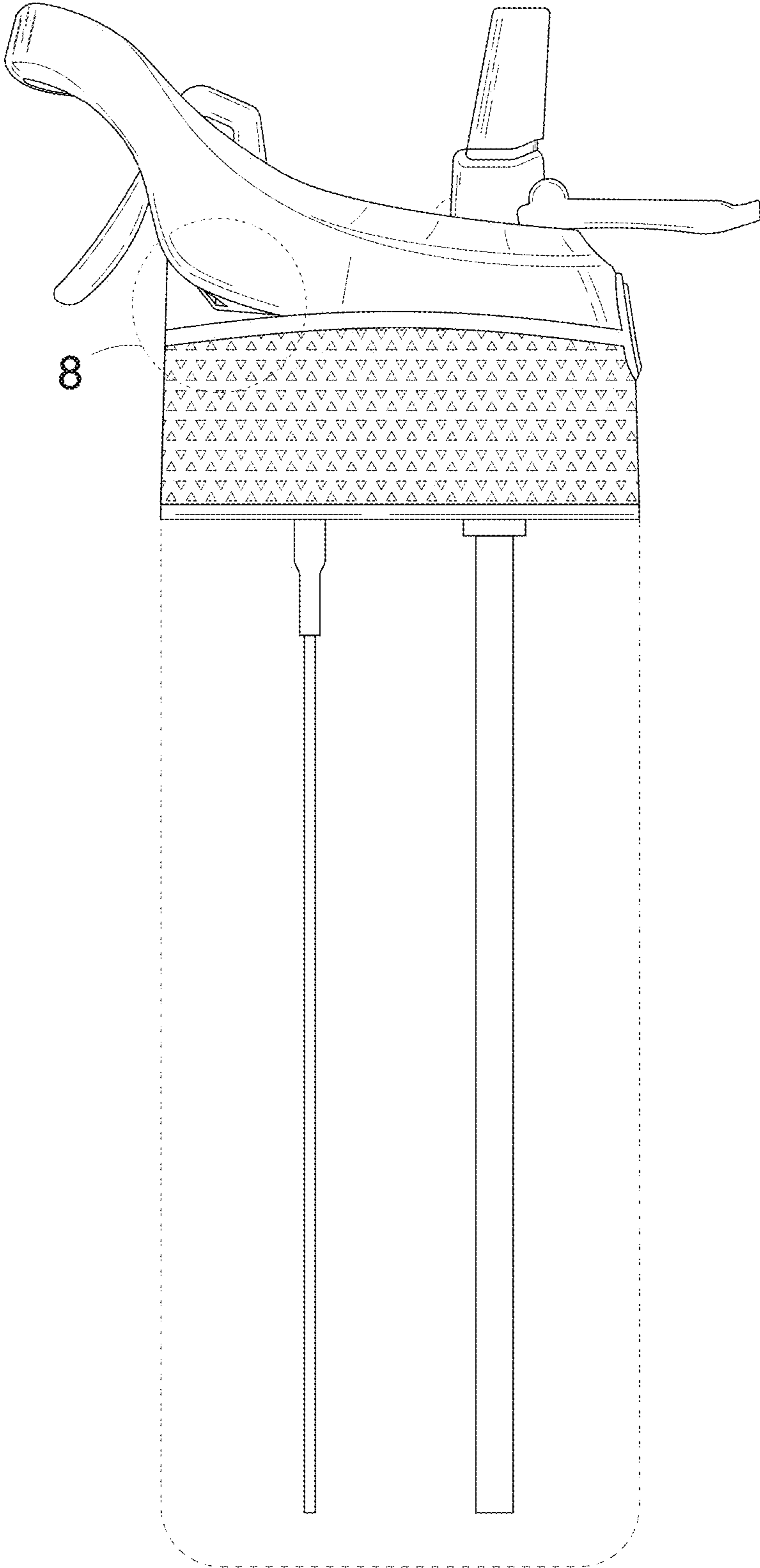


FIG.4

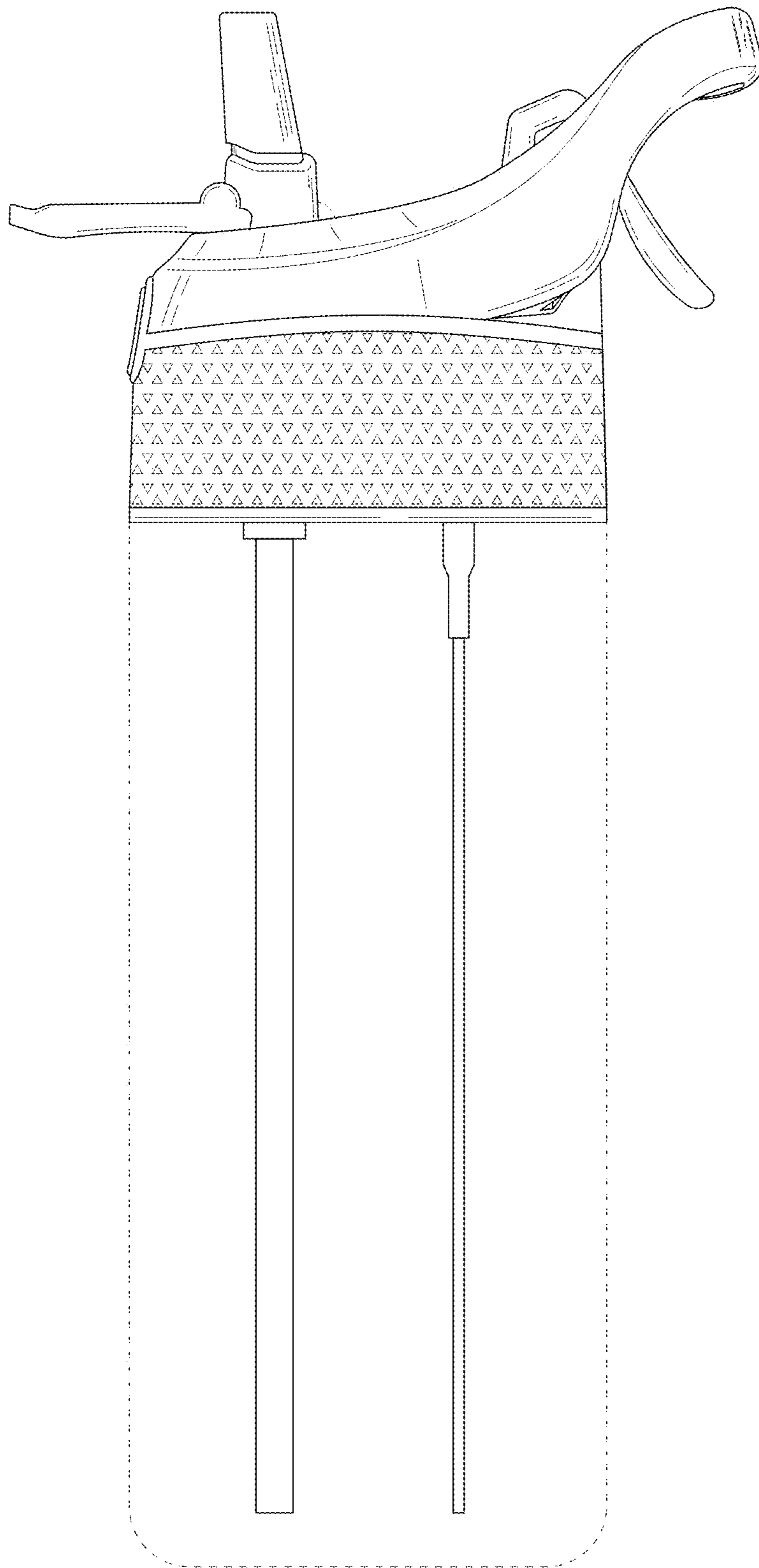


FIG.5

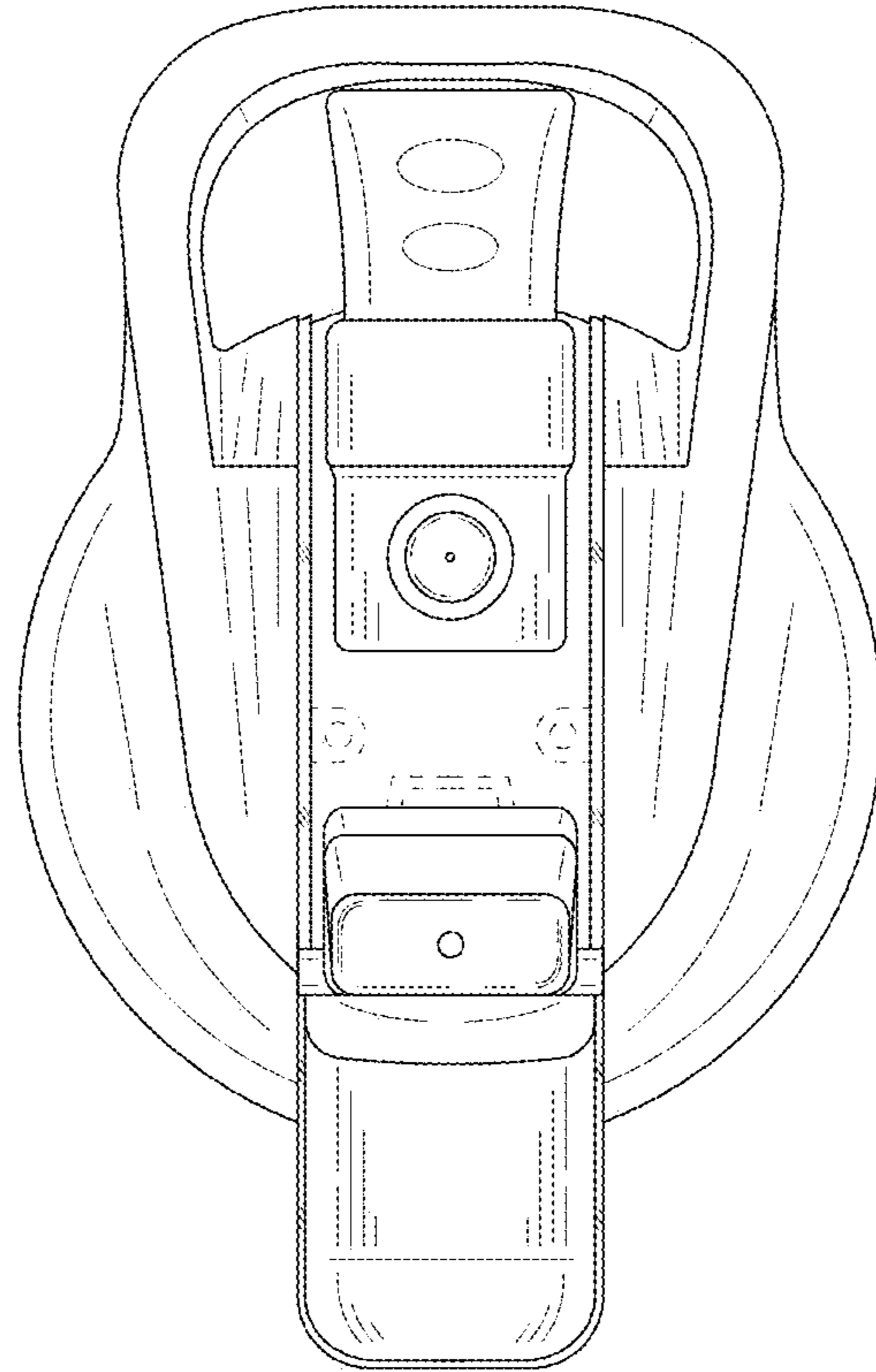


FIG.6

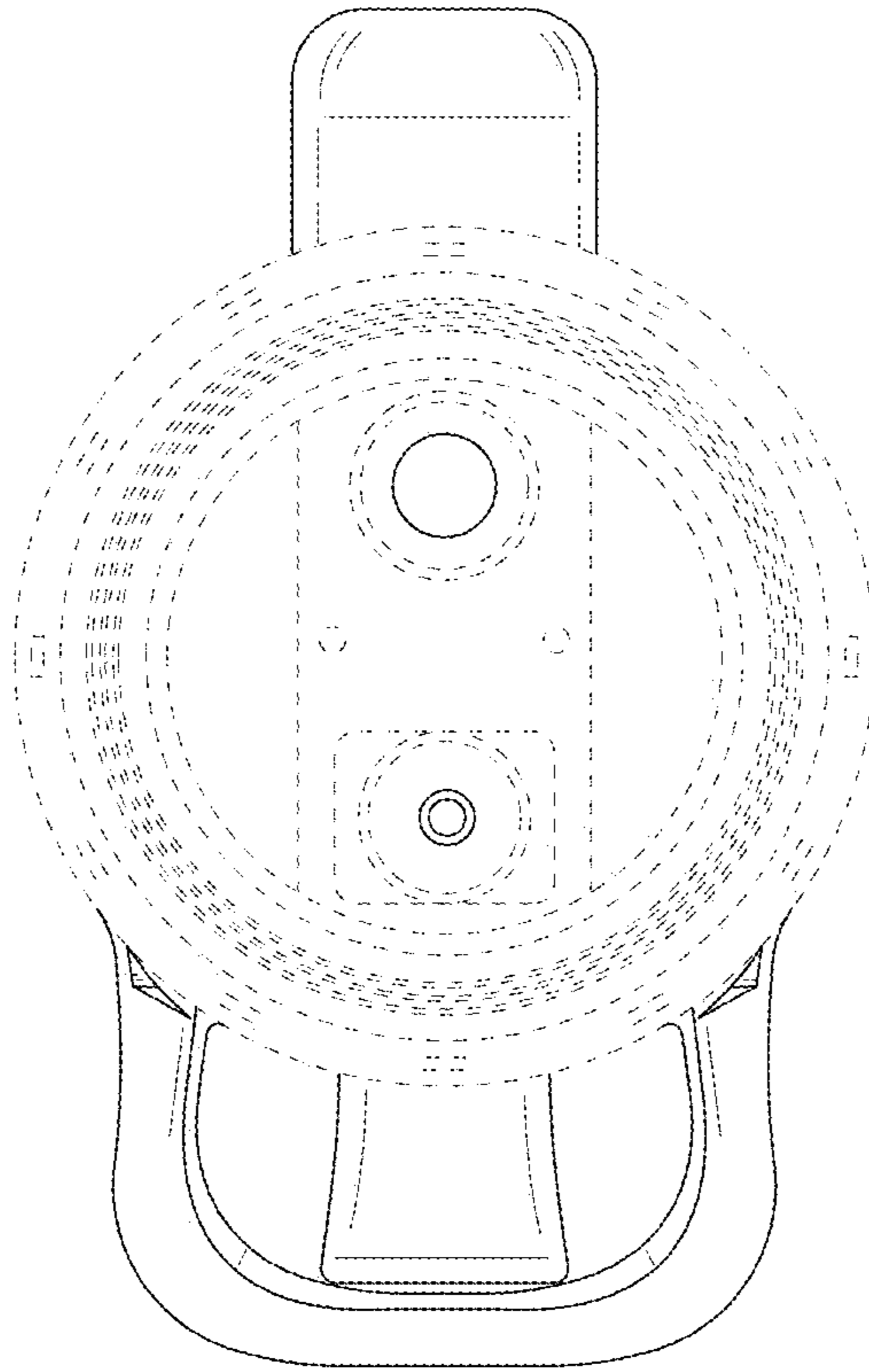


FIG.7



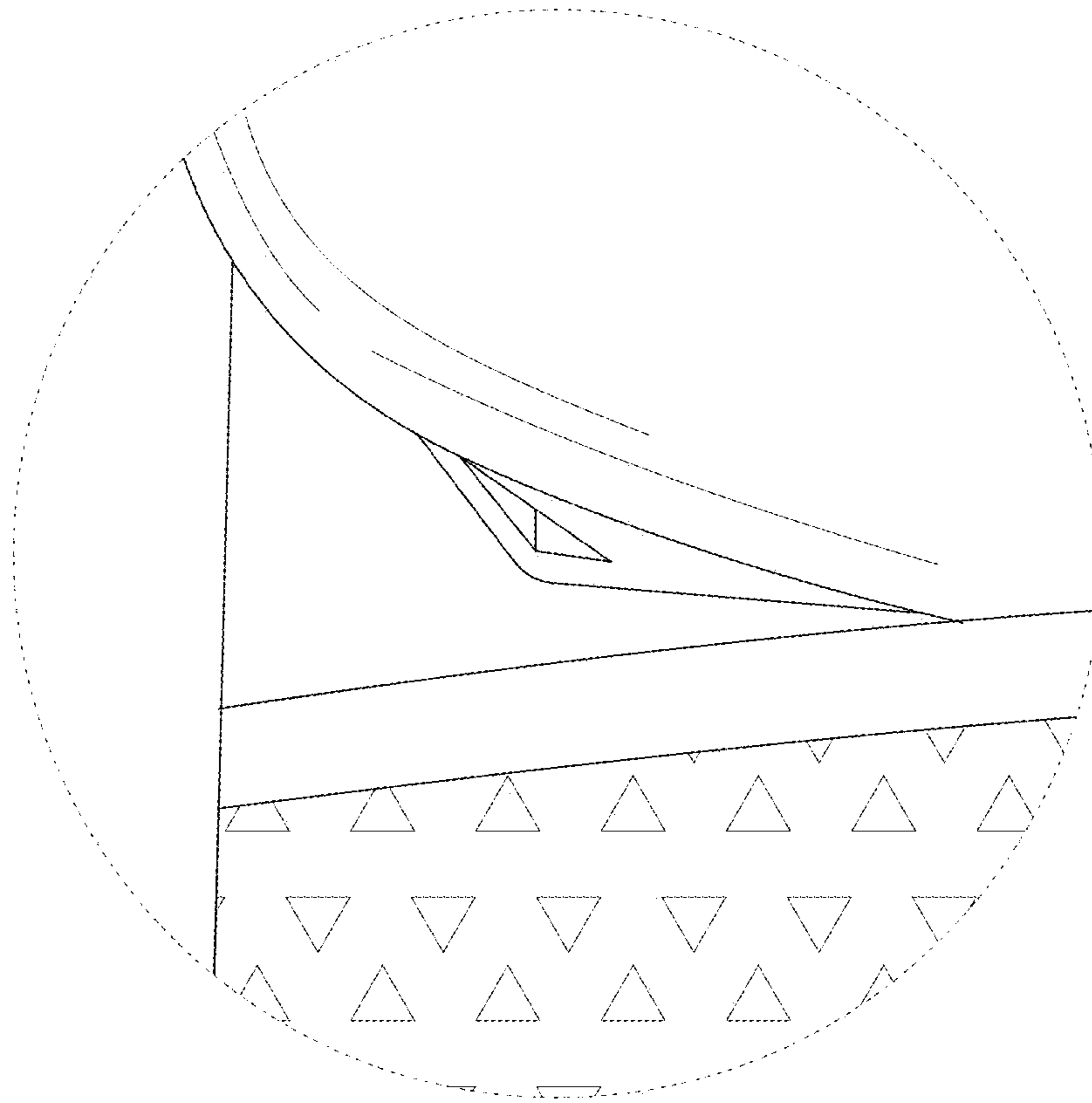


FIG.8