



US00D929801S

(12) **United States Design Patent** (10) **Patent No.:** **US D929,801 S**
Henkel (45) **Date of Patent:** **** Sep. 7, 2021**

(54) **LID FOR A CUP**
(71) Applicant: **MiiR Holdings, LLC**, Seattle, WA (US)
(72) Inventor: **Geoff Henkel**, Seattle, WA (US)
(**) Term: **15 Years**
(21) Appl. No.: **29/708,805**
(22) Filed: **Oct. 9, 2019**
(51) **LOC (13) Cl.** **07-01**
(52) **U.S. Cl.**
USPC **D7/392.1; D7/396.2**
(58) **Field of Classification Search**
USPC D7/300, 300.1, 392, 392.1, 396.1, 396.2, D7/413, 507, 509, 510, 511, 514, 516, D7/519, 522, 523, 533, 525, 527, 528, D7/529, 531, 532, 534, 535, 536, 584, D7/591, 608, 624.2, 629, 900; D9/435, D9/436, 449, 501, 502, 503, 504; D24/197
CPC A47G 19/22; A47G 19/2211; A47G 19/2288; A47G 19/2205; A47G 19/2255; A47G 19/2272; A47G 19/2266; A47G 19/2227; A47G 7/06; A47G 23/0216; A47G 23/0258; A47G 23/0241; A47G 23/2205; A47J 41/0088; A47J 41/02; A47J 43/042; B65D 2543/00231; B65D 21/0219; D65D 23/10
See application file for complete search history.

D572,083 S 7/2008 Tien
D583,191 S * 12/2008 Wong D7/392.1
D604,102 S * 11/2009 Pearson D7/510
D631,699 S 2/2011 Moreau
D729,581 S 5/2015 Boroski
D744,280 S 12/2015 Chiang
D744,286 S 12/2015 Morris, II et al.
D751,338 S * 3/2016 Seiders D7/396.2
(Continued)

FOREIGN PATENT DOCUMENTS

AU 2011211425 9/2011
EM 003110212-0006 * 7/2016

OTHER PUBLICATIONS

MiiR, MiiR Men's 12oz Camp Cup, Jun. 8, 2017, Amazon.com, www.amazon.com/dp/B0725PHJ68 (Year: 2017).*
(Continued)

Primary Examiner — Shannon W Morgan
Assistant Examiner — Arva P Adams
(74) *Attorney, Agent, or Firm* — John M. Janeway;
Janeway Patent Law PLLC

(57) **CLAIM**

The ornamental design for a lid for a cup, as shown and described.

DESCRIPTION

FIG. 1 is a perspective view of a lid for a cup showing my new design, according to the invention.
FIG. 2 is a rear, elevation view of the lid for a cup.
FIG. 3 is a front, elevation view of the lid for a cup.
FIG. 4 is a left side, elevation view of the lid for a cup.
FIG. 5 is a right side, elevation view of the lid for a cup.
FIG. 6 is a top, plan view of the lid for a cup; and,
FIG. 7 is a bottom, plan view of the lid for a cup.
The broken lines in FIGS. 1-7 show portions of the lid for a cup that form no part of the claimed design.

1 Claim, 2 Drawing Sheets

(56) **References Cited**
U.S. PATENT DOCUMENTS

D177,559 S 5/1956 Emmert
4,170,724 A * 10/1979 Waterbury B65D 47/286
220/270
D463,715 S 10/2002 Dretzka
D488,672 S * 4/2004 Oas D7/507
D531,451 S * 11/2006 Bin D7/510
D558,523 S 1/2008 Bhavnani

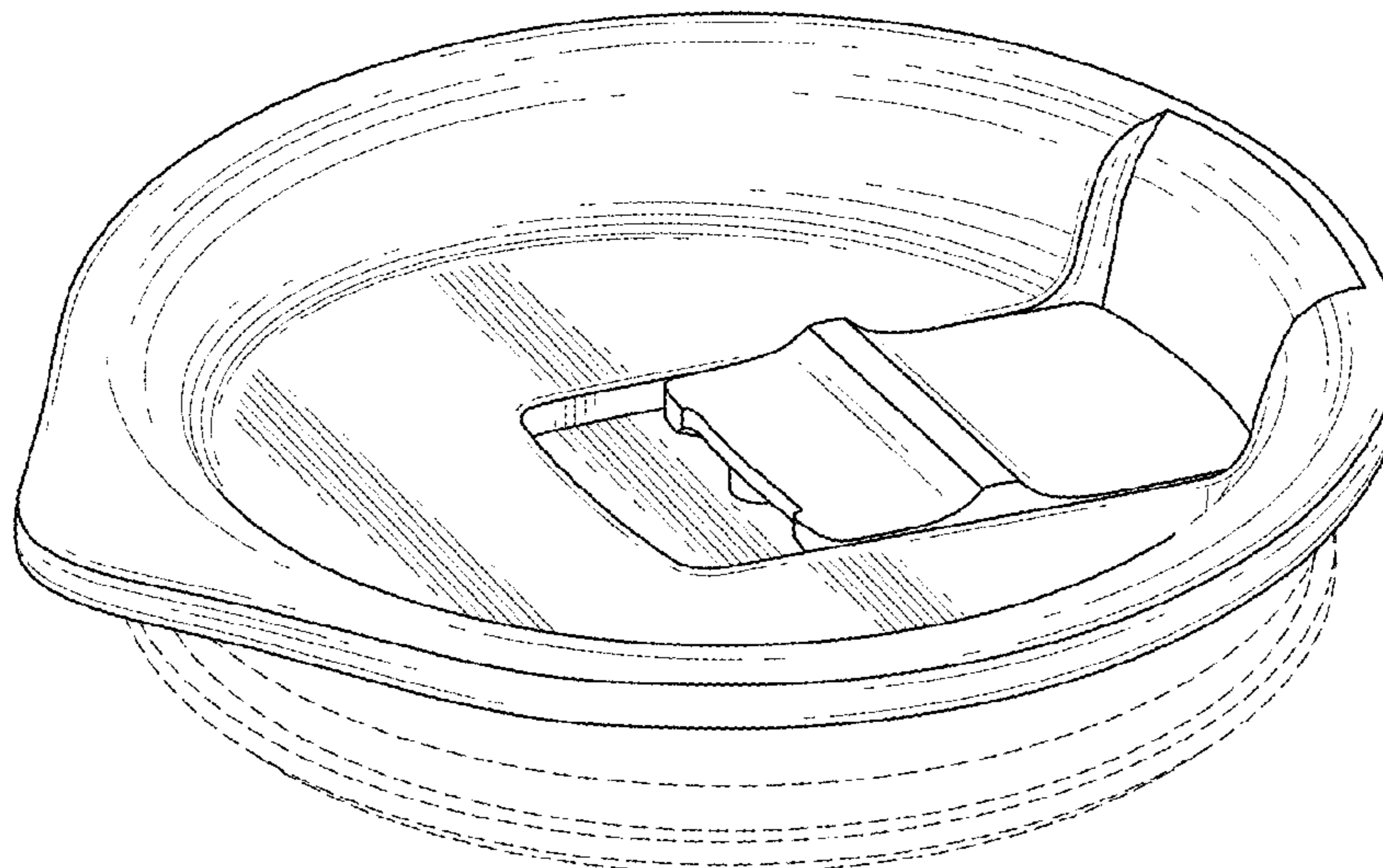


FIG. 1

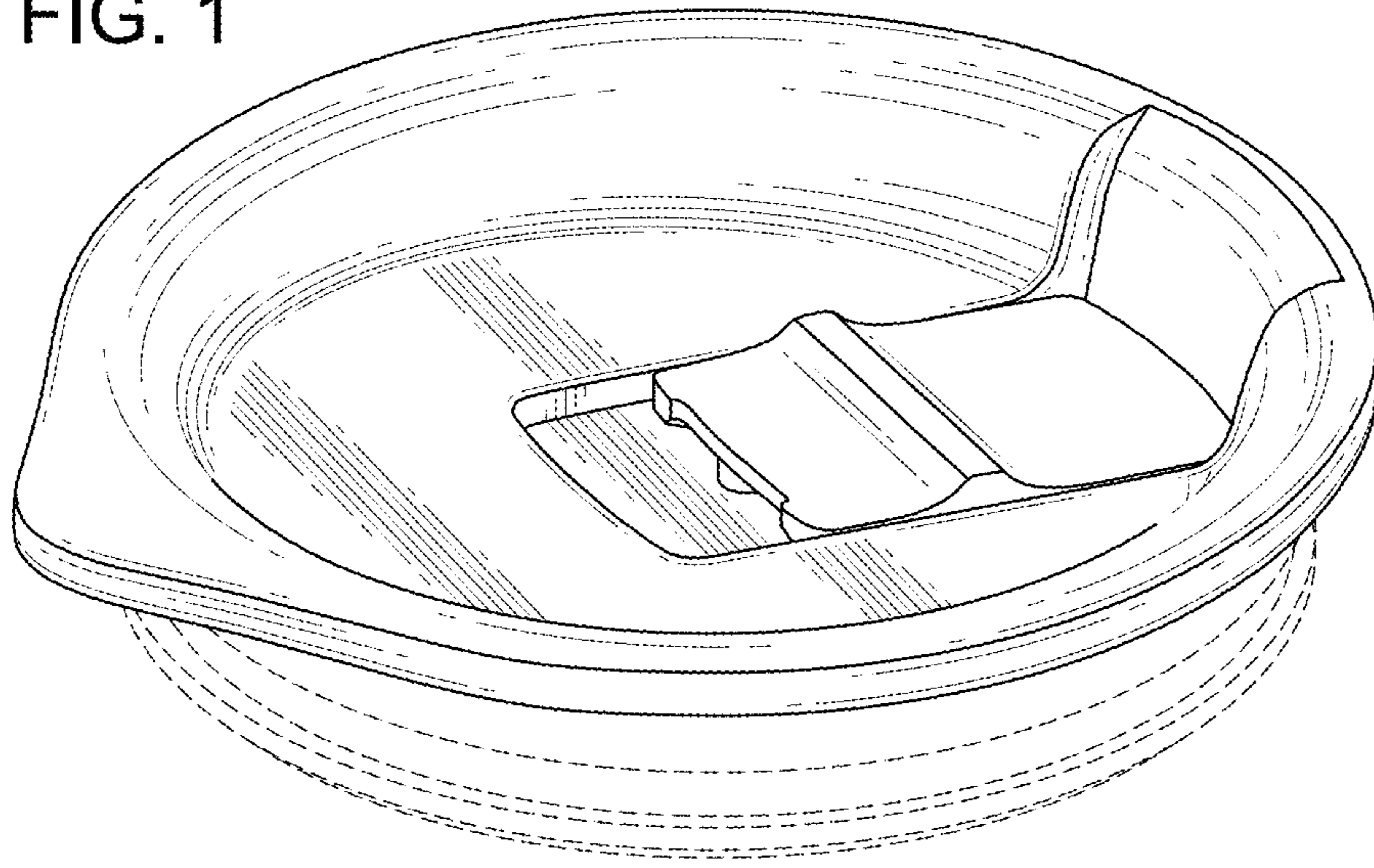


FIG. 2

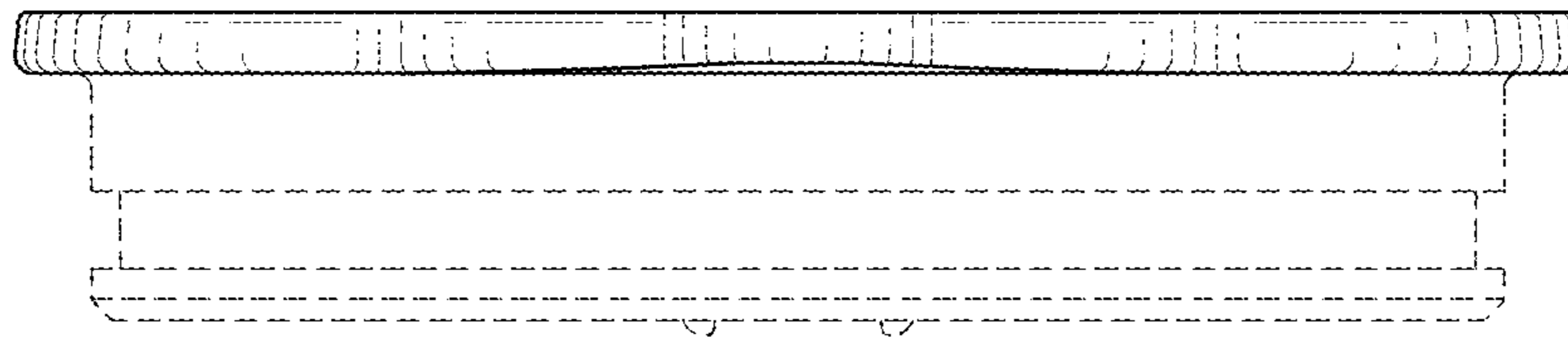


FIG. 3

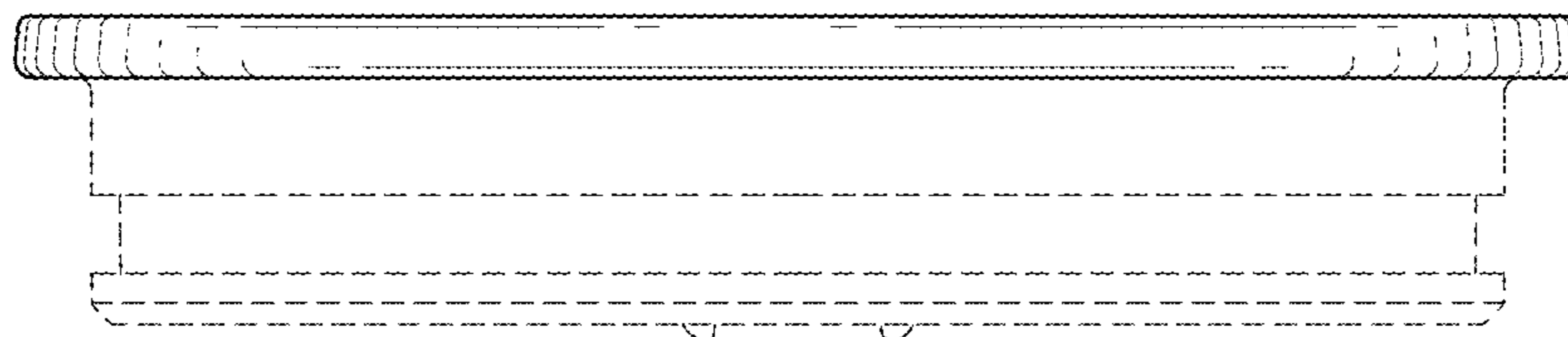


FIG. 4

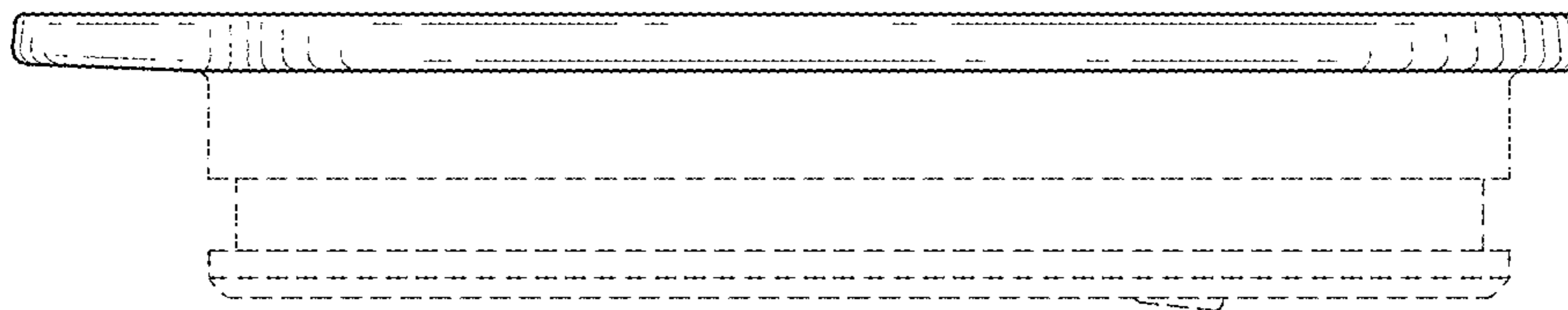


FIG. 5

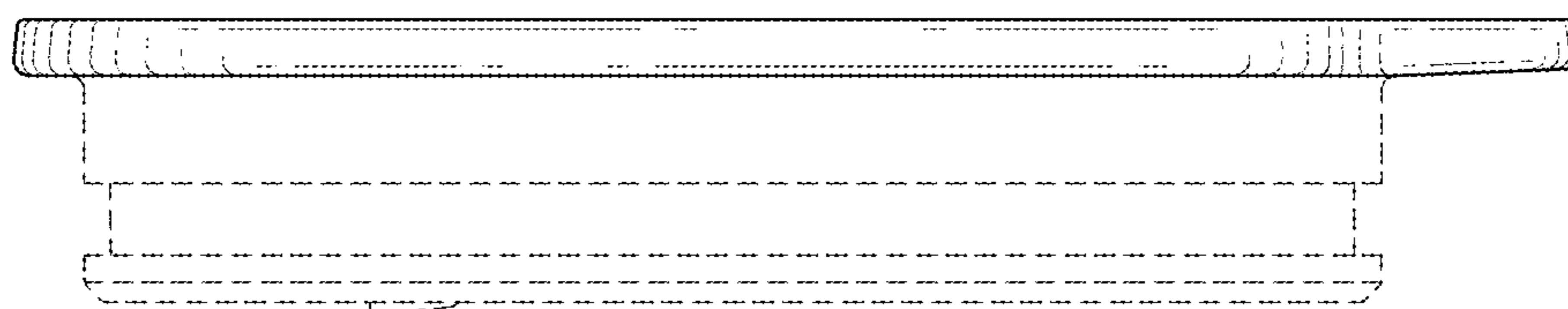


FIG. 6

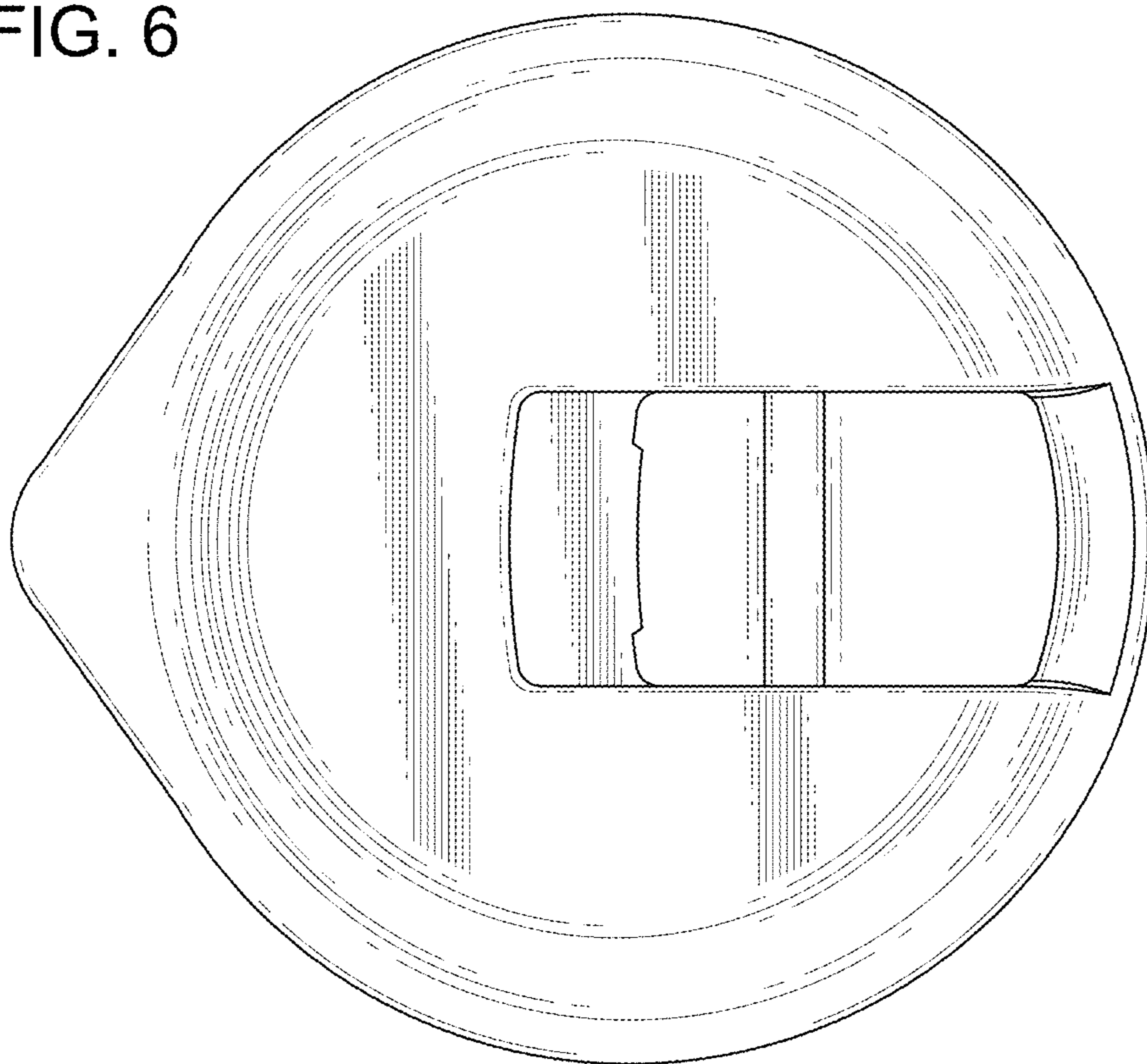


FIG. 7

