



US00D929799S

(12) **United States Design Patent**
Walter et al.

(10) **Patent No.:** **US D929,799 S**
(45) **Date of Patent:** **** Sep. 7, 2021**

(54) **SCREW SHAFT ELEMENT**

(71) Applicant: **Buss AG**, Pratteln (CH)

(72) Inventors: **Wolfgang Walter**, Aalen (DE); **Martin Schötzau**, Augst (CH)

(73) Assignee: **Buss AG**, Pratteln (CH)

(**) Term: **15 Years**

(21) Appl. No.: **29/668,733**

(22) Filed: **Nov. 1, 2018**

(30) **Foreign Application Priority Data**

May 4, 2018	(EM)	005258811
May 4, 2018	(EM)	005258811-0001
May 4, 2018	(EM)	005258811-0004
May 4, 2018	(EM)	005258811-0005
May 4, 2018	(EM)	005258811-0008

(51) **LOC (13) Cl.** **31-00**

(52) **U.S. Cl.**
USPC **D7/376; D7/412**

(58) **Field of Classification Search**
USPC D8/387; D7/368, 377, 379, 376, 412,
D7/387, 213; D24/220
CPC B01F 7/086; B01F 7/00416; B01F
2215/0049; B01F 2215/0422; B29C
48/45; B29C 48/565; B29C 48/687; B29C
48/03; B29C 48/395; B29C 48/04; B29C
48/67;

(Continued)

(56) **References Cited**

U.S. PATENT DOCUMENTS

D23,336 S *	6/1894	Quimby	D8/387
1,283,947 A *	11/1918	Steinle	B29B 7/7495 425/379.1

(Continued)

Primary Examiner — Sandra Snapp
Assistant Examiner — Ieisha N Price
(74) *Attorney, Agent, or Firm* — Larson & Anderson, LLC

(57) **CLAIM**

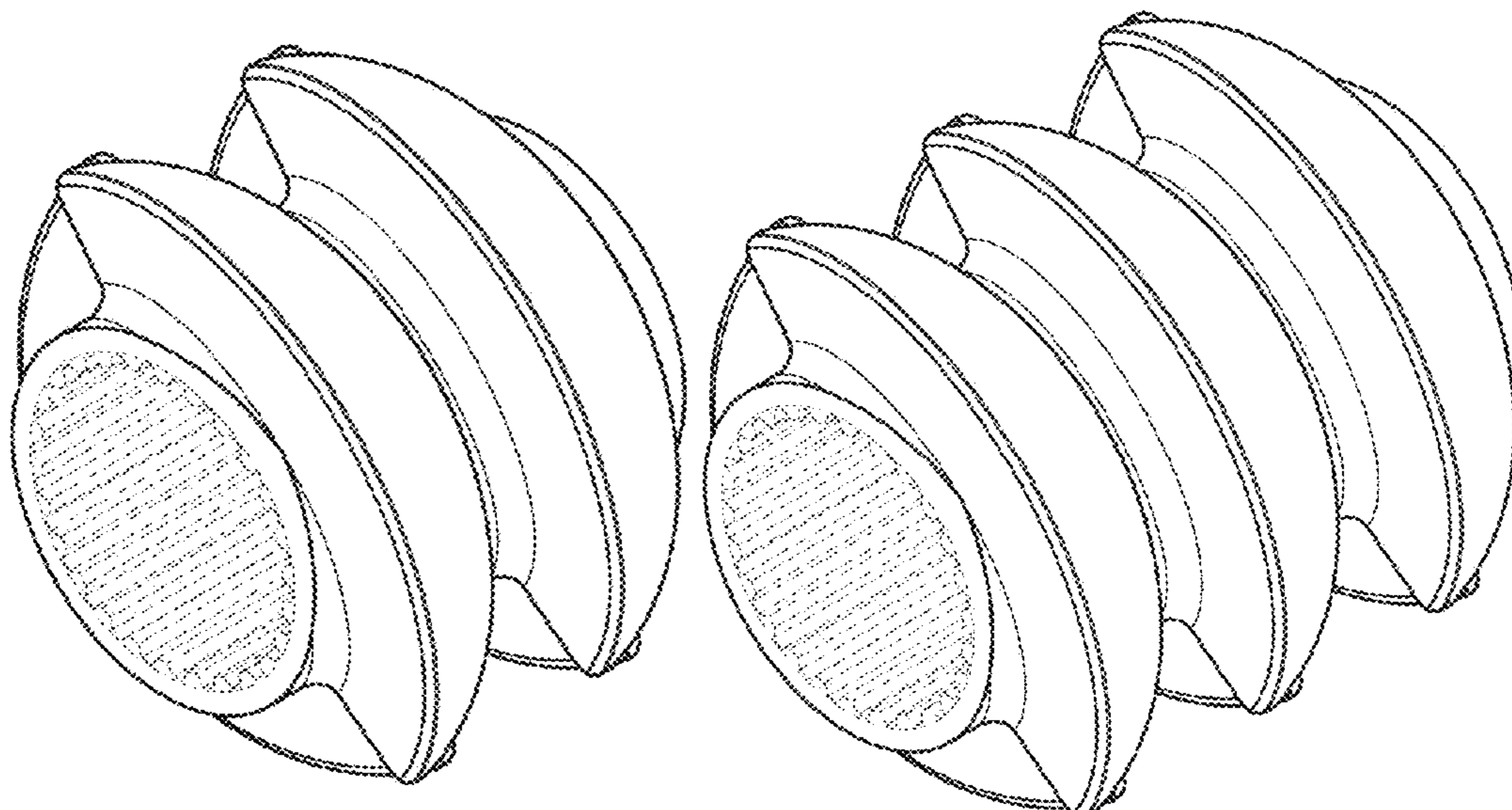
The ornamental design for a screw shaft element, as shown and described.

DESCRIPTION

FIG. 1 is a perspective view of a screw shaft element showing a first embodiment of our new design; FIG. 2 is a front view of the design of the first embodiment; FIG. 3 is a back view of the design of the first embodiment; FIG. 4 is a left view of the design of the first embodiment; FIG. 5 is a right view of the design of the first embodiment; FIG. 6 is a top view of the design of the first embodiment; FIG. 7 is a bottom view of the design of the first embodiment; FIG. 8 is a perspective view of a screw shaft element showing a second embodiment of our new design; FIG. 9 is a front view of the design of the second embodiment; FIG. 10 is a back view of the design of the second embodiment; FIG. 11 is a left view of the design of the second embodiment; FIG. 12 is a right view of the design of the second embodiment; FIG. 13 is a top view of the design of the second embodiment; and, FIG. 14 is a bottom view of the design of the second embodiment.

The broken lines in the drawings illustrate portions of the screw shaft element and form no part of the claimed design.

1 Claim, 14 Drawing Sheets



US D929,799 S

Page 2

(58) **Field of Classification Search**

CPC B29B 7/421; B29B 7/423; B29B 7/429;
B29B 7/44

See application file for complete search history.

(56) **References Cited**

U.S. PATENT DOCUMENTS

1,468,581 A * 9/1923 Steenberg B01F 7/086
366/137
1,521,044 A * 12/1924 Parker B01F 7/00416
366/266
D121,299 S * 7/1940 Krebs D7/379
2,626,132 A * 1/1953 Reed A47J 43/044
241/282.1
3,189,324 A * 6/1965 Gubler B29C 48/605
366/90
4,305,673 A * 12/1981 Herbst B01F 7/0025
261/93
D290,394 S * 6/1987 Stevens D24/220
4,702,608 A * 10/1987 Garbar B01F 7/00908
366/146
D381,892 S * 8/1997 Porter D8/1
D422,896 S * 4/2000 Holzinger D8/387
D435,789 S * 1/2001 Holzinger D8/387
D601,850 S * 10/2009 Ikuta D7/376
D648,193 S * 11/2011 Wheat D8/8
D649,030 S * 11/2011 Austin, III D8/387
D692,275 S * 10/2013 Audette D7/412
D706,893 S * 6/2014 Diederich D21/840
D804,247 S * 12/2017 Winn D7/412

10,428,830 B2 * 10/2019 Lee F04D 29/384
D891,634 S * 7/2020 Skakoon D24/220
2005/0249030 A1 * 11/2005 Williams B29C 48/509
366/79
2006/0171251 A1 * 8/2006 Busick B01F 7/00208
366/312
2007/0183253 A1 * 8/2007 Siegenthaler B29B 7/423
366/80
2009/0027994 A1 * 1/2009 Grutter B29C 48/397
366/79
2009/0238911 A1 * 9/2009 Hayashi B28B 3/222
425/202
2009/0245014 A1 * 10/2009 Suzuki B30B 11/221
366/76.93
2010/0067320 A1 * 3/2010 Blach B29B 7/489
366/85
2010/0284236 A1 * 11/2010 Franz B29C 48/04
366/75
2014/0199424 A1 * 7/2014 Behling B29C 48/2522
425/204
2014/0306370 A1 * 10/2014 Dispenza B29C 48/022
264/177.11
2015/0240832 A1 * 8/2015 Xia B01F 7/00375
416/243
2015/0352770 A1 * 12/2015 Busenbecker B01F 7/00416
366/301
2016/0223006 A1 * 8/2016 Hettich F16B 25/0005
2018/0135645 A1 * 5/2018 Chen F04D 29/384
2020/0238235 A1 * 7/2020 Schotzau B29B 7/429
2020/0282622 A1 * 9/2020 Ougier B22F 10/28
2020/0298189 A1 * 9/2020 Ko B01F 7/00291

* cited by examiner

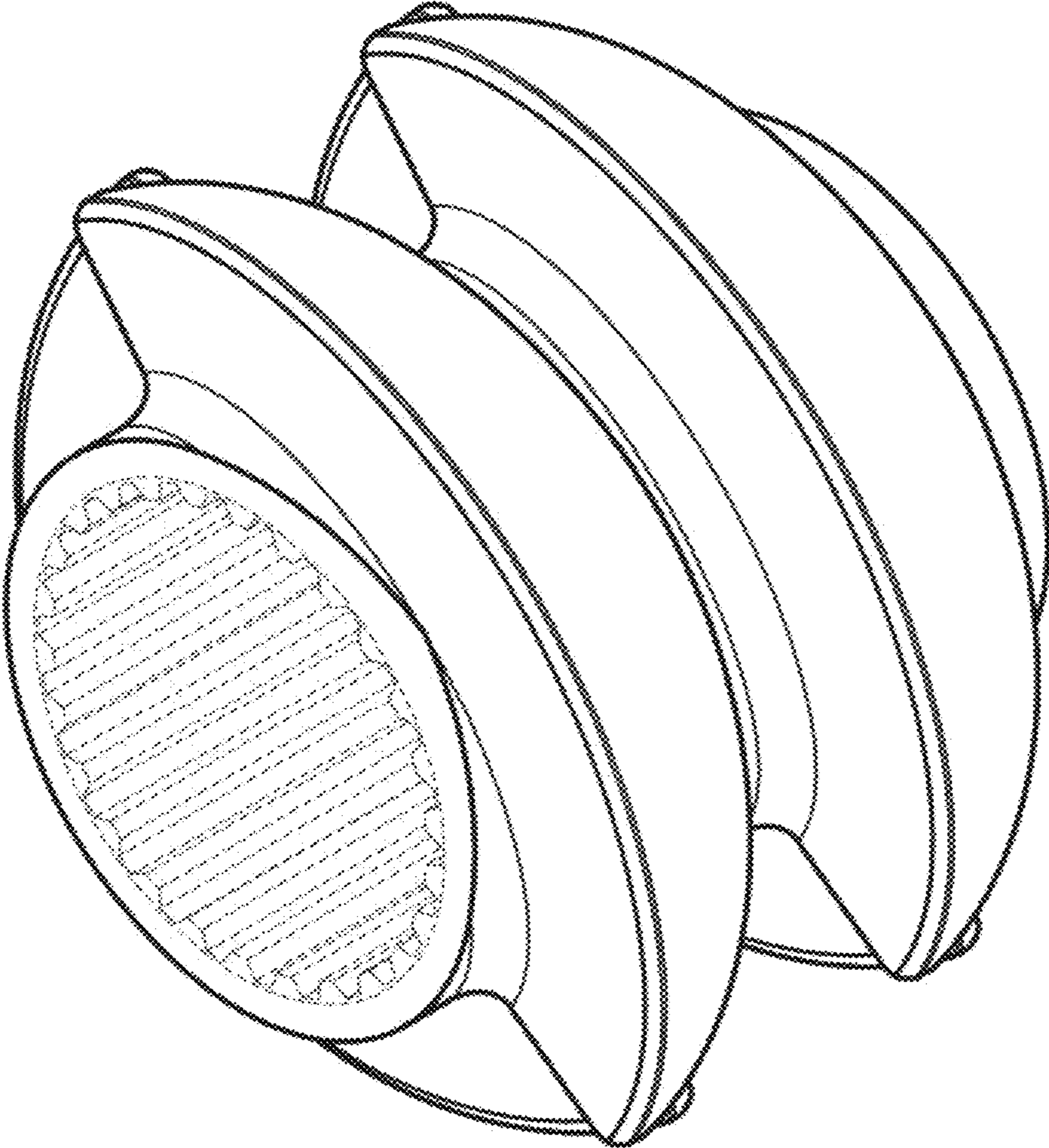


Fig. 1

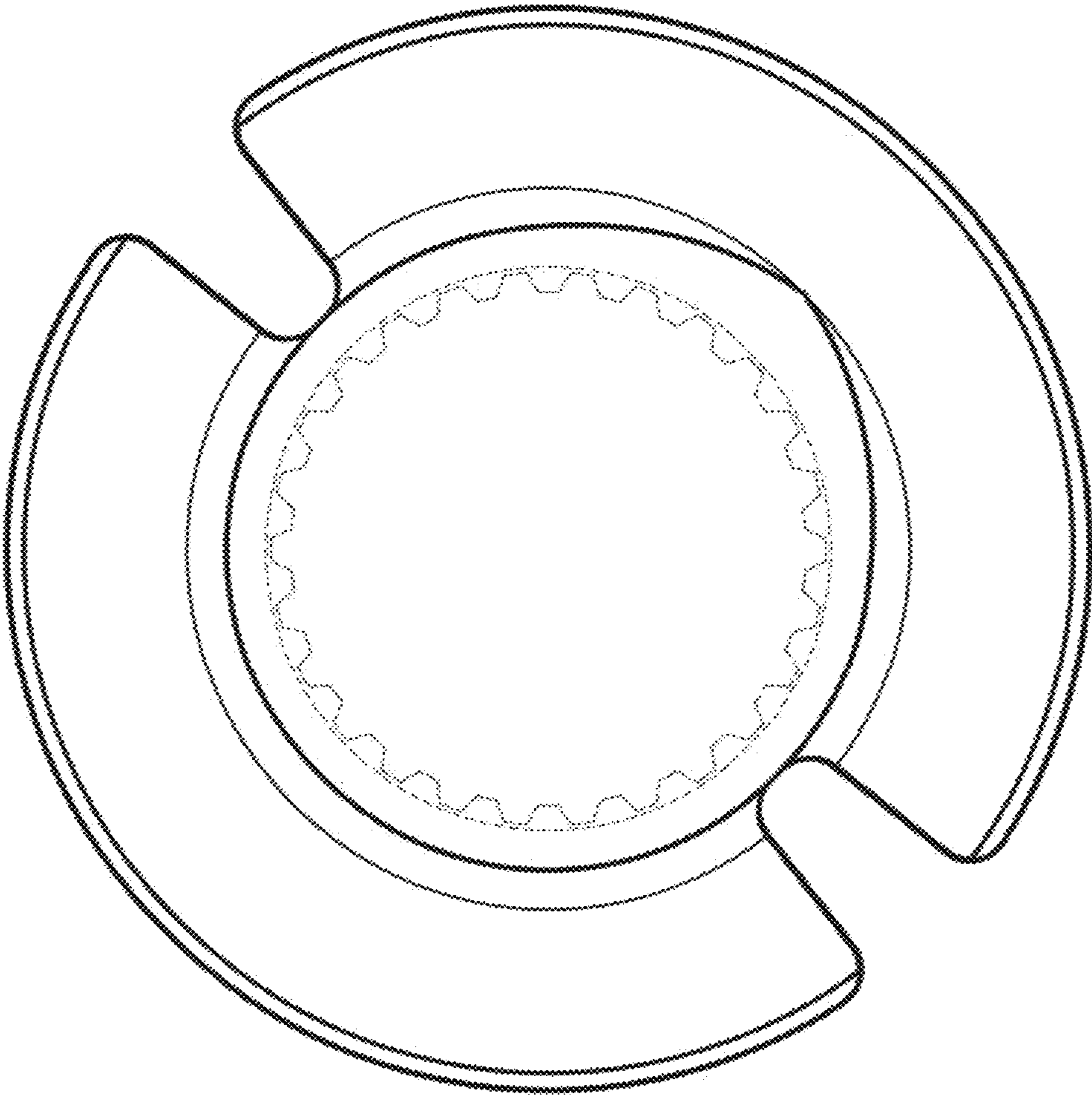


Fig. 2

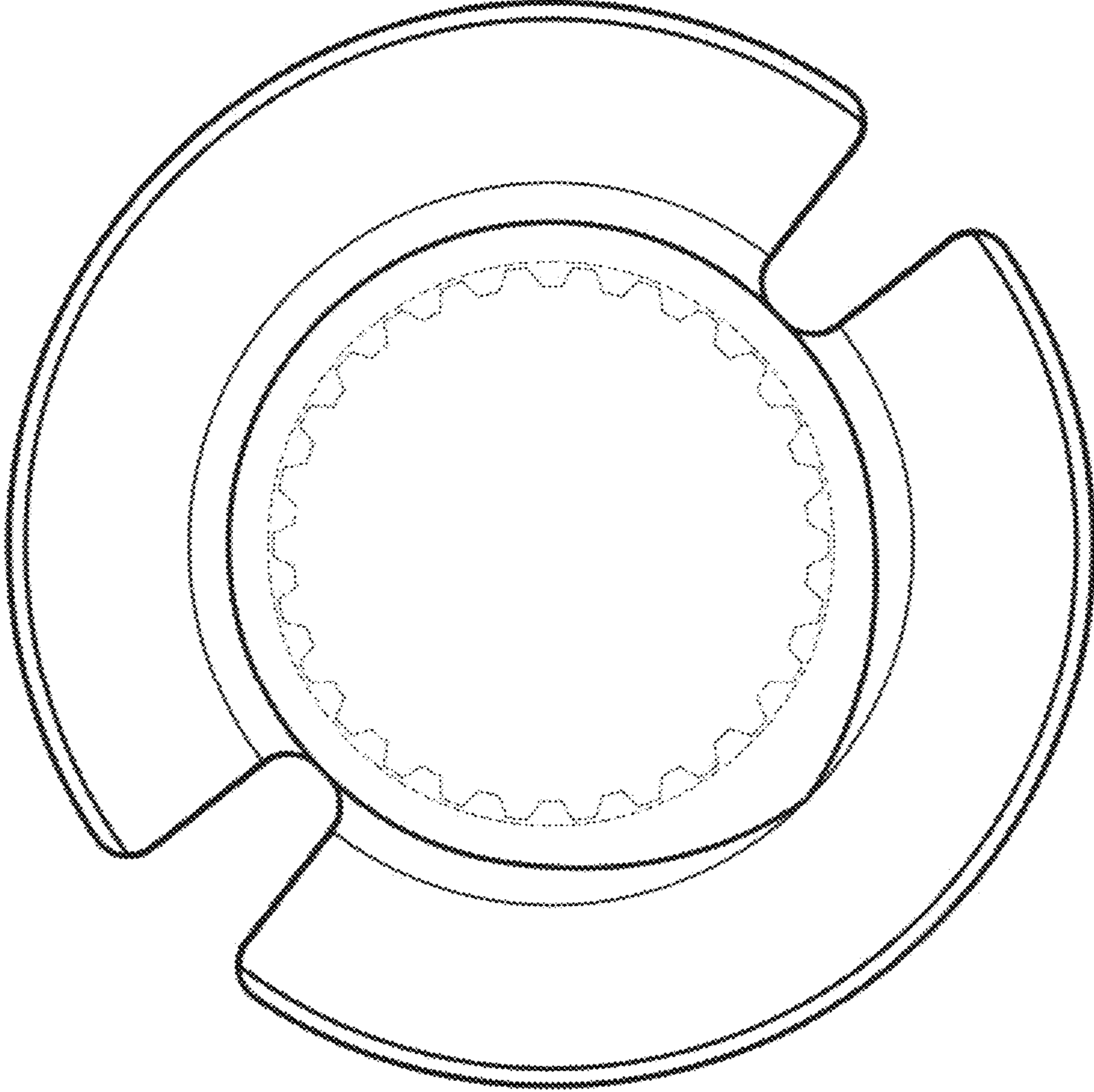


Fig. 3

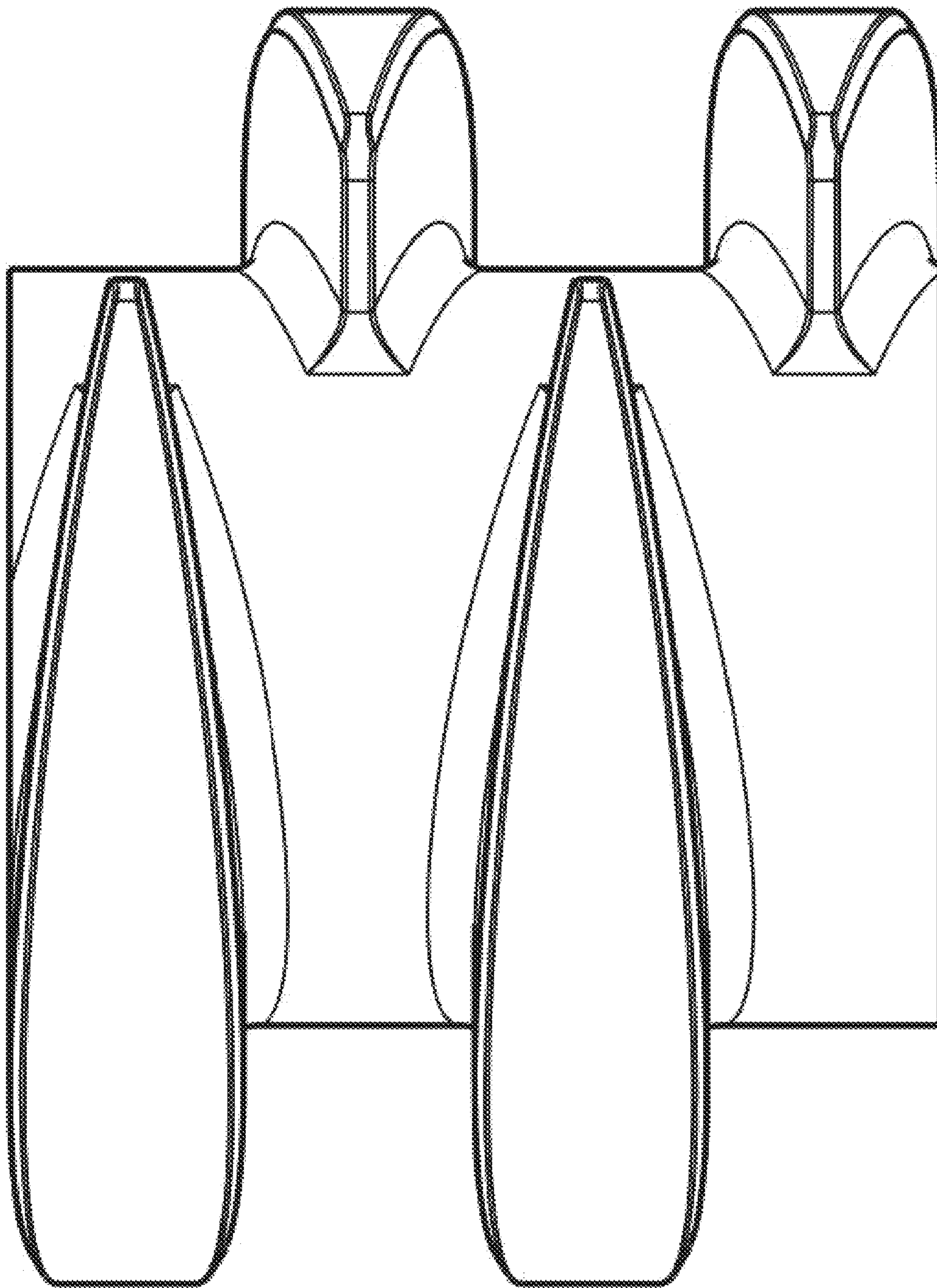


Fig. 4

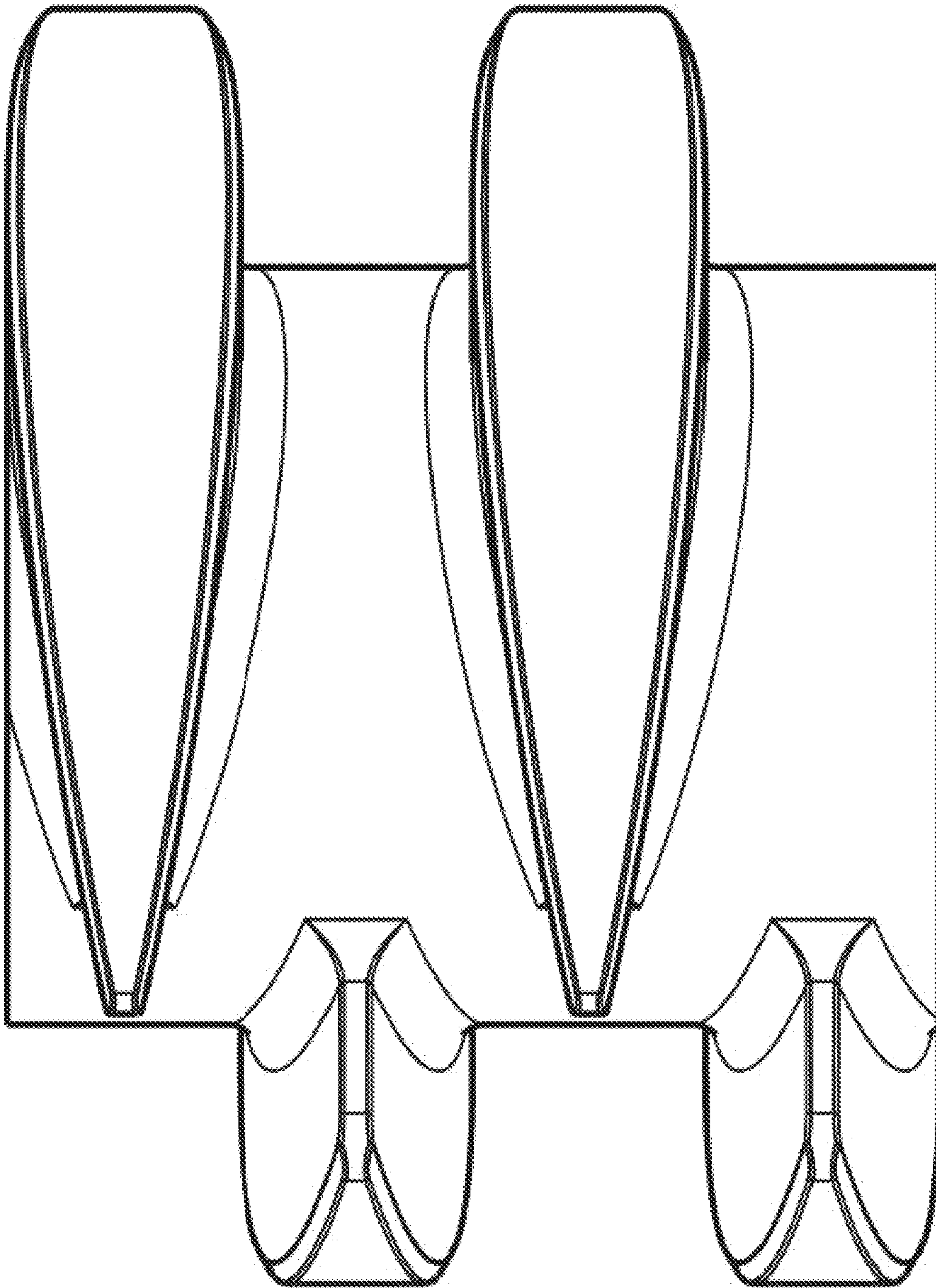


Fig. 5

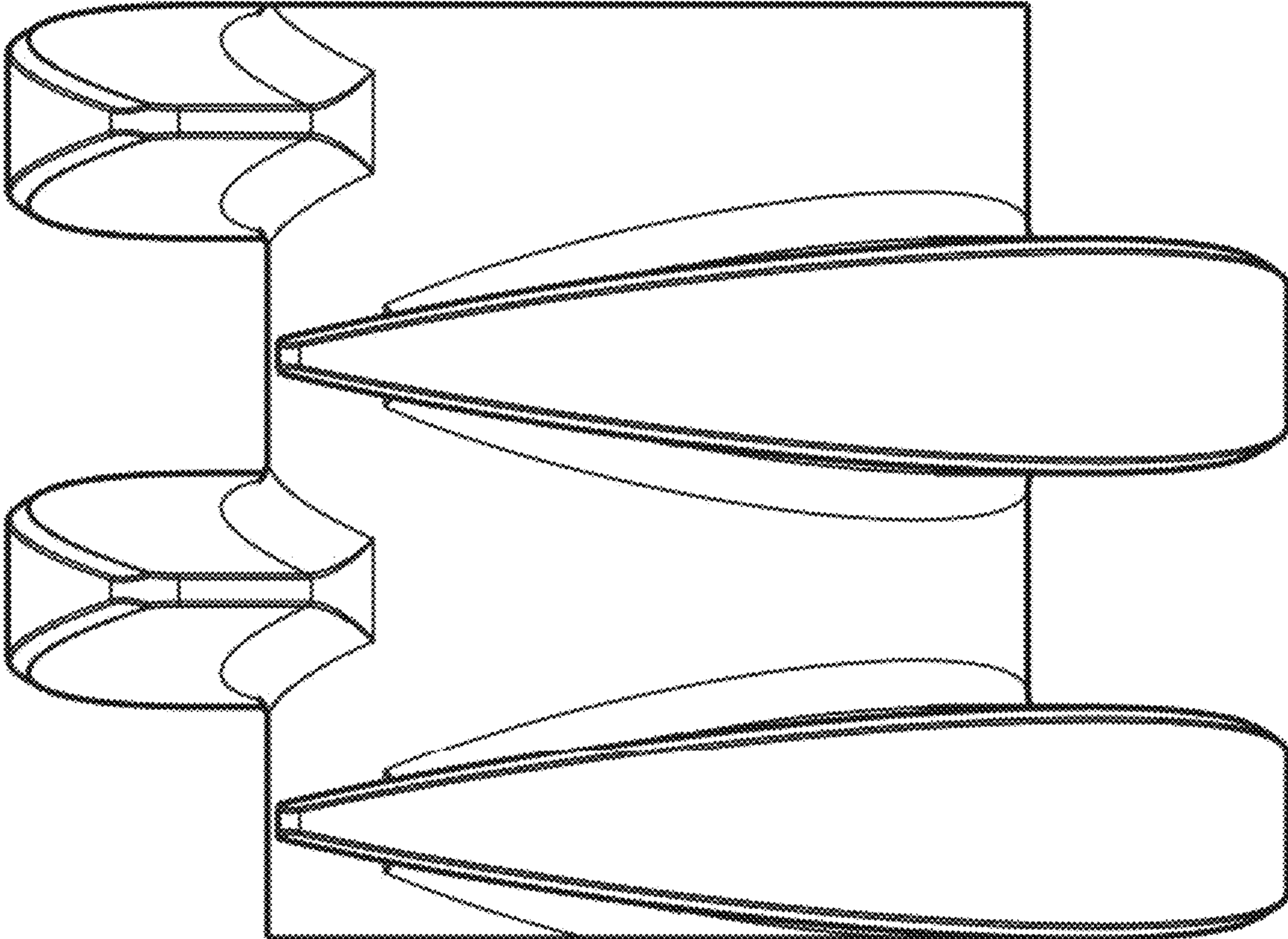


Fig. 6

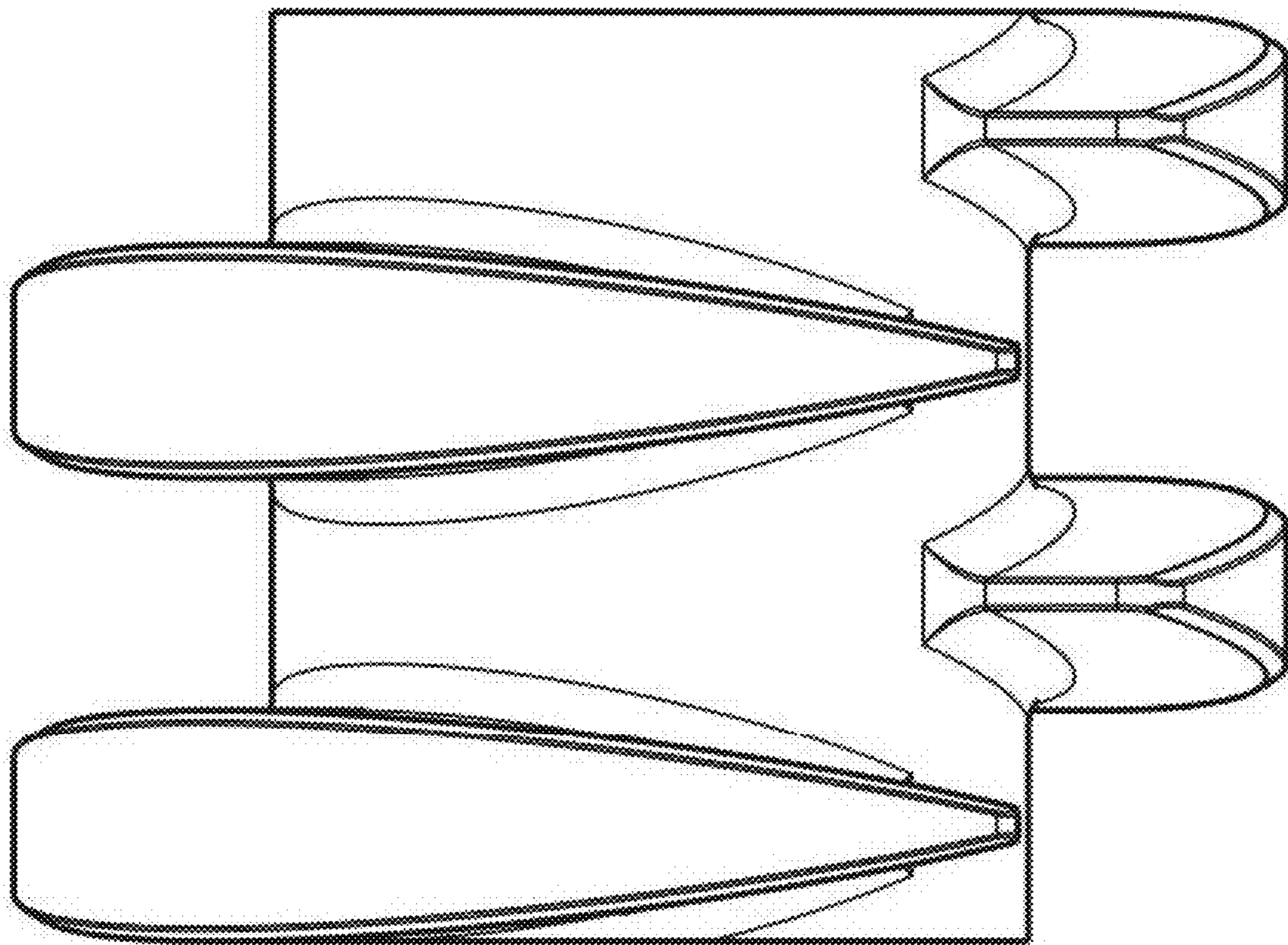


Fig. 7

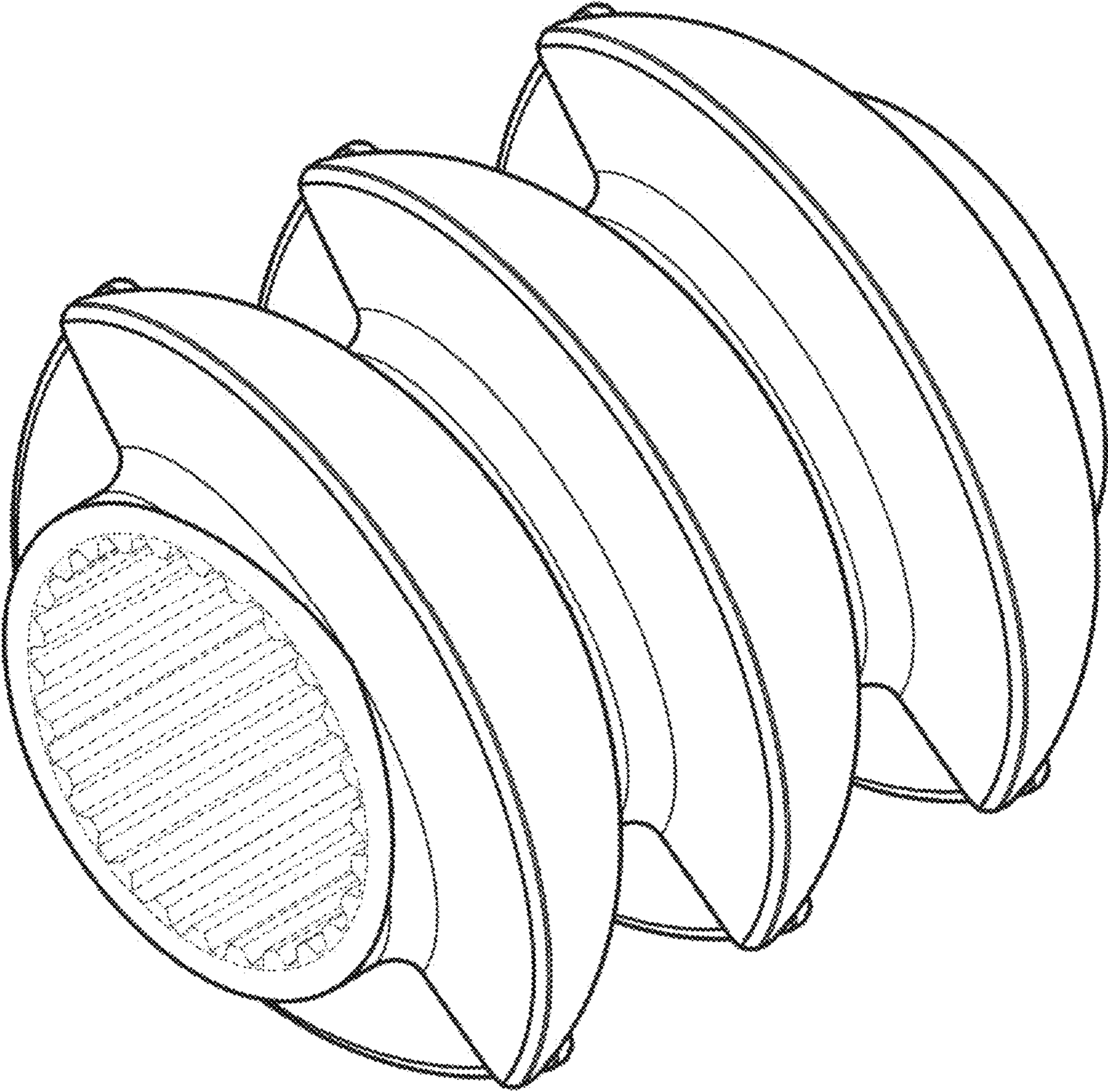


Fig. 8

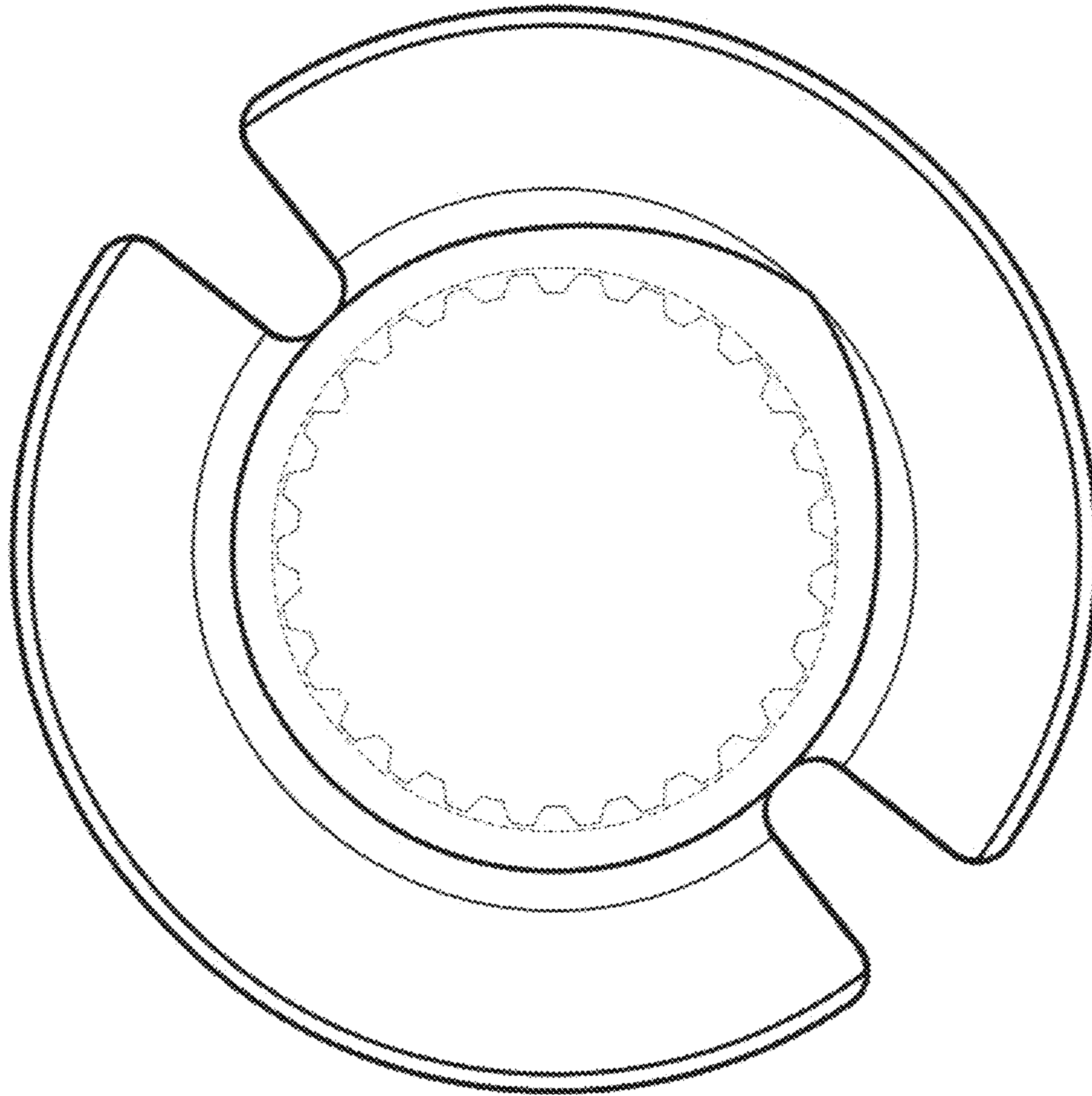


Fig. 9

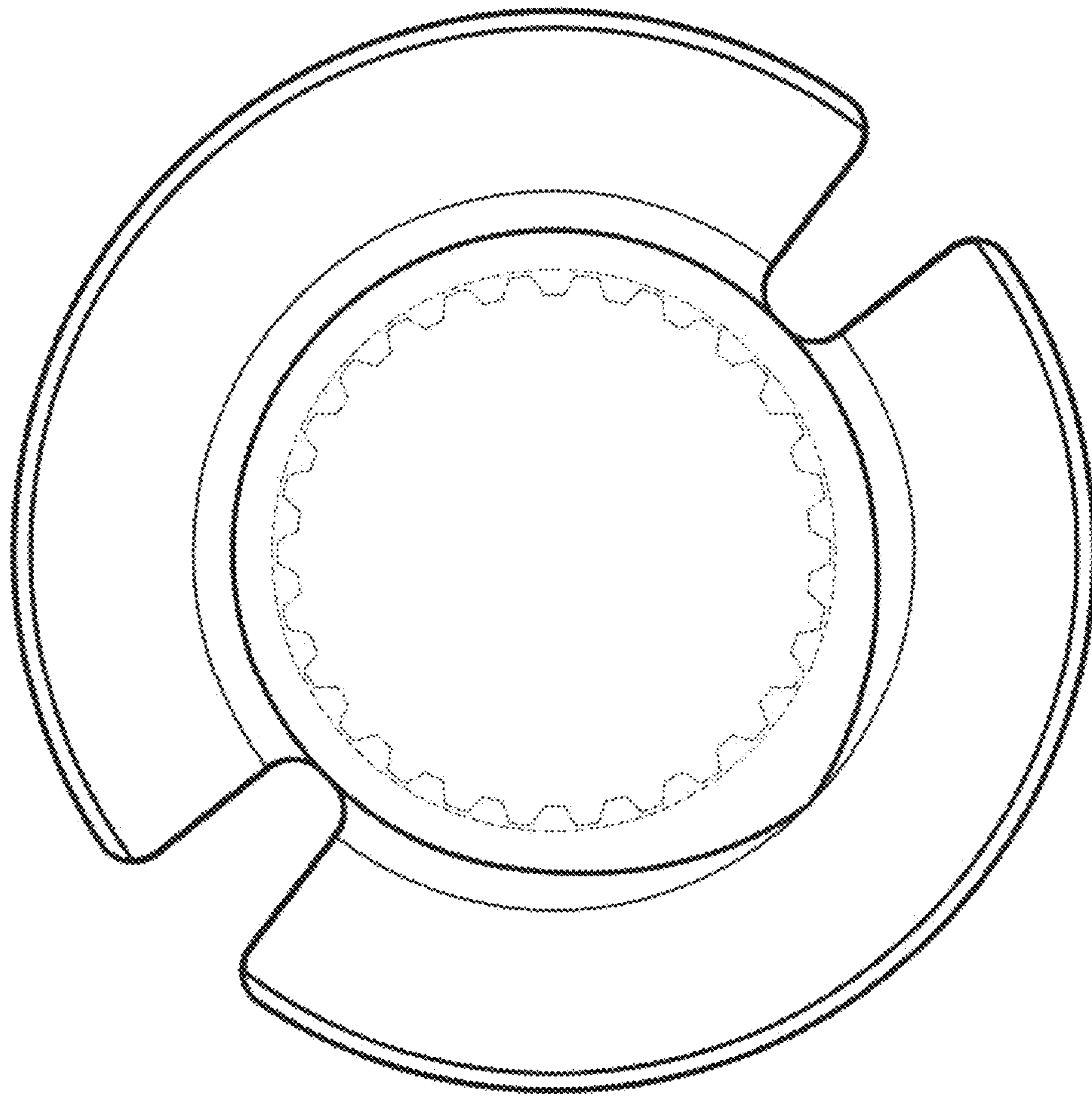


Fig. 10

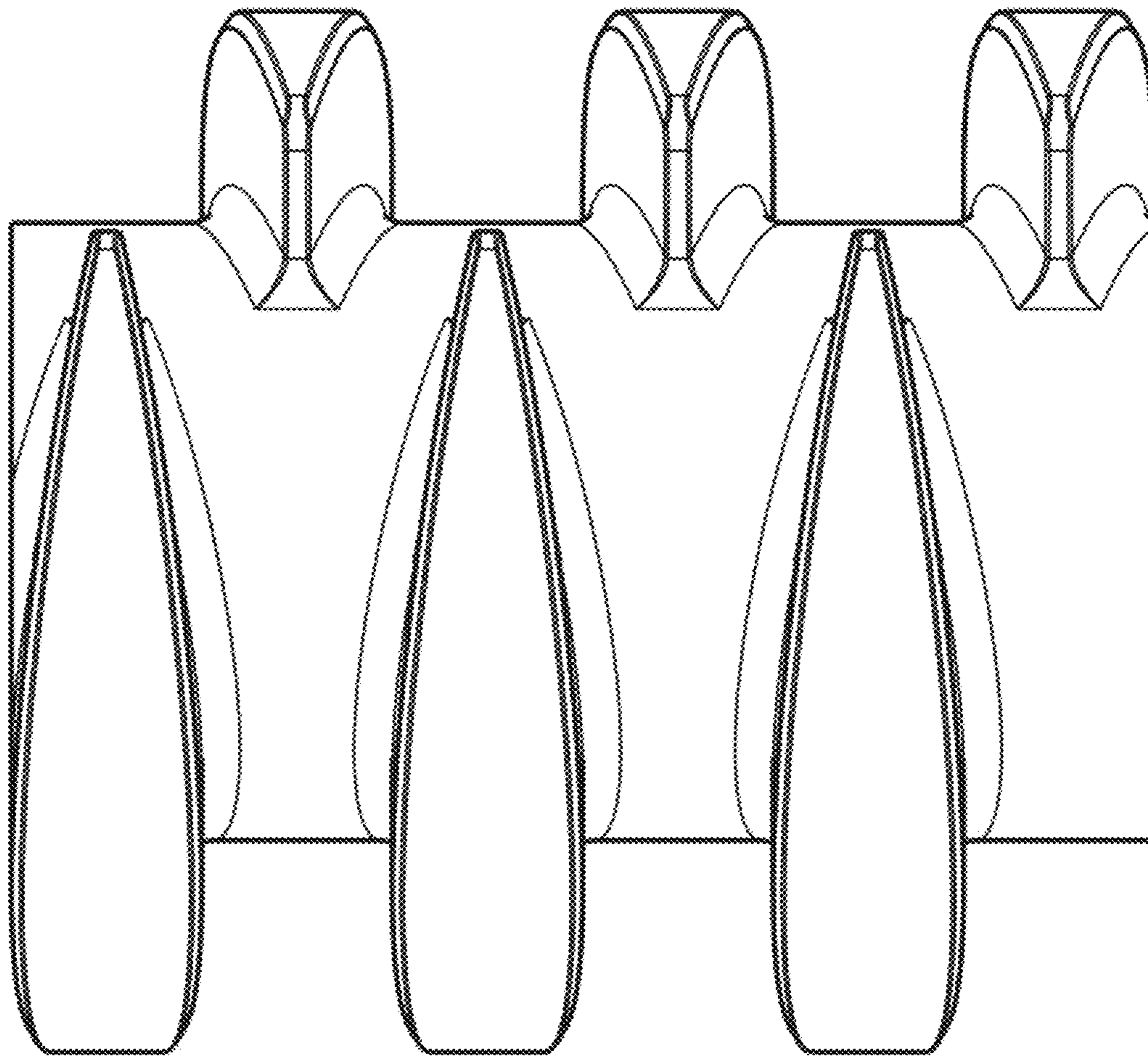


Fig. 11

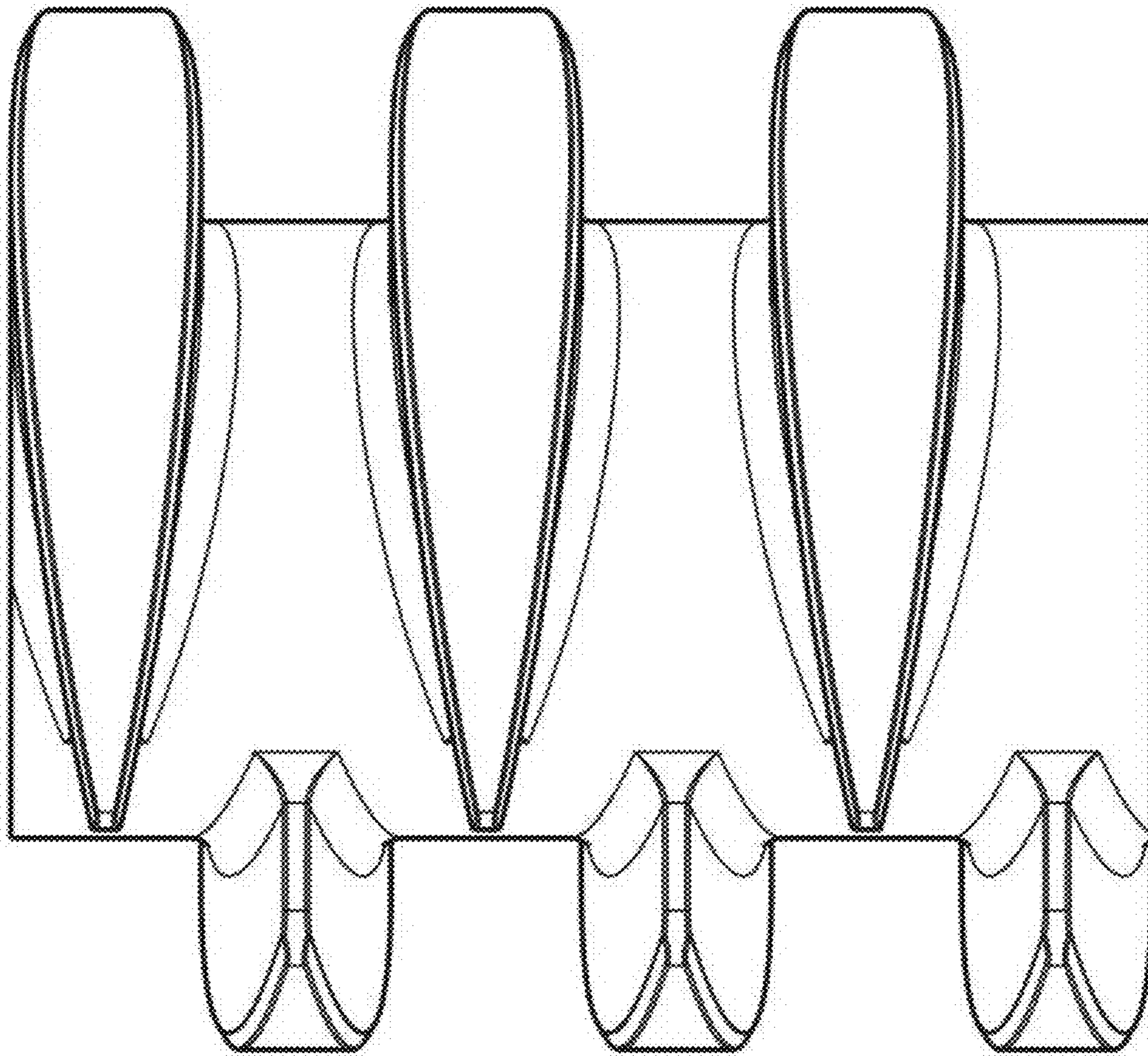


Fig. 12

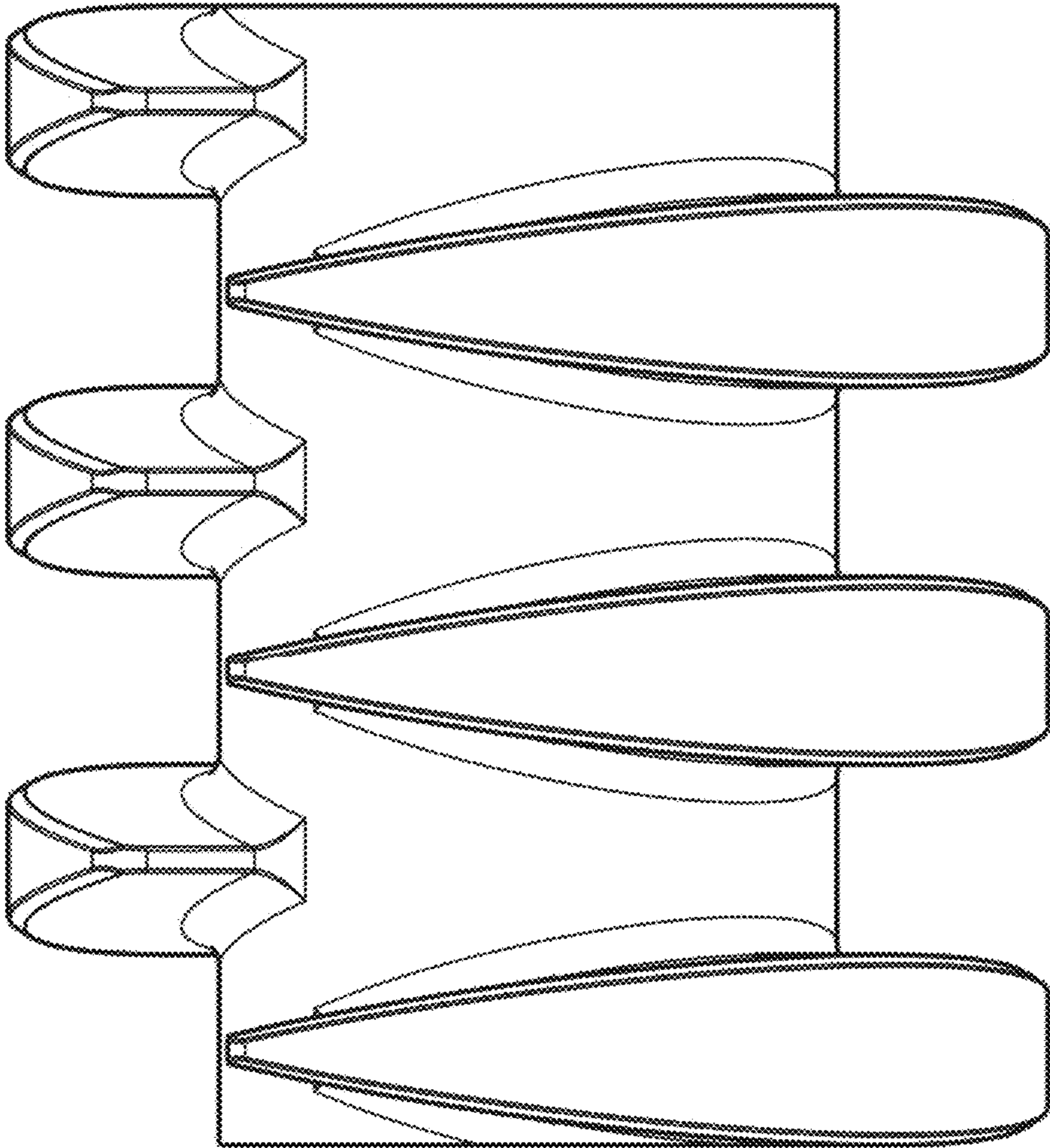


Fig. 13

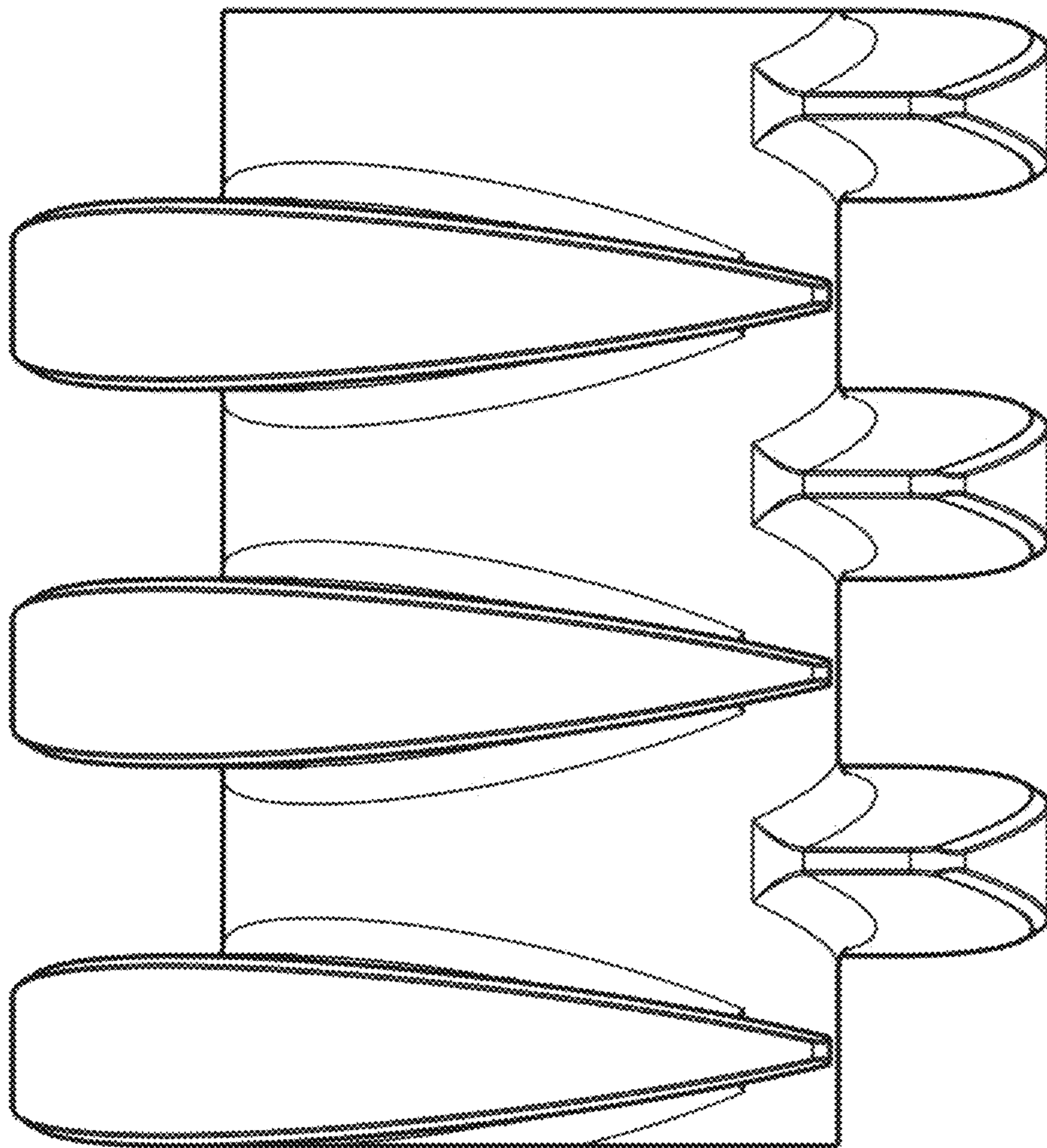


Fig. 14