



US00D929798S

(12) **United States Design Patent** (10) **Patent No.:** **US D929,798 S**  
**Tehrani et al.** (45) **Date of Patent:** **\*\* Sep. 7, 2021**

(54) **COOKWARE**

(71) Applicant: **Lagom Kitchen Co.**, Culver City, CA (US)

(72) Inventors: **Amir Tehrani**, Los Angeles, CA (US); **Zachary Rosner**, Los Angeles, CA (US); **Stuart Harvey Lee**, Forest Hills, NY (US); **Jochen Schaeppers**, New York, NY (US)

(73) Assignee: **LAGOM KITCHEN CO.**, Los Angeles, CA (US)

(\*\*) Term: **15 Years**

(21) Appl. No.: **29/748,445**

(22) Filed: **Aug. 28, 2020**

**Related U.S. Application Data**

(63) Continuation-in-part of application No. 29/669,401, filed on Jul. 25, 2019, now Pat. No. Des. 916,547.

(51) **LOC (13) Cl.** ..... **07-02**

(52) **U.S. Cl.**  
USPC ..... **D7/361**

(58) **Field of Classification Search**  
USPC ..... D7/323, 331, 352, 354, 355, 356, 357, D7/358, 359, 360, 361, 362, 363, 364, D7/365, 366, 372, 373, 376, 377, 402, D7/409, 410, 412, 414, 611, 678, 679, D7/753; D3/304; D9/736, 749, 755, D9/758, 760, 456; D1/105, 123, 124  
CPC .. A21B 3/00; A21B 3/13; A21B 3/131; A21B 3/132; A21B 3/135; A21B 3/136; A21B 3/137; A21B 3/15; A21B 5/00; A21B 5/02; A21B 5/04; A47J 29/00; A47J 29/02; A47J 29/06; A47J 36/00; A47J 36/02; A47J

(Continued)

(56) **References Cited**

U.S. PATENT DOCUMENTS

D41,717 S 8/1911 Swan  
3,349,948 A \* 10/1967 Hughes ..... A47J 36/06  
220/231

(Continued)

FOREIGN PATENT DOCUMENTS

CA 2455023 A1 7/2004  
DE 8521152 U1 10/1985

(Continued)

OTHER PUBLICATIONS

A Pan for Just About Anything, announced Sep. 23, 2019 [online], retrieved Dec. 23, 2020, retrieved from internet, <https://www.nytimes.com/2019/09/23/dining/always-pan-from-our-place.html>.\*

(Continued)

*Primary Examiner* — Dana K Weiland

*Assistant Examiner* — Messina L Smith

(74) *Attorney, Agent, or Firm* — Myers Wolin, LLC

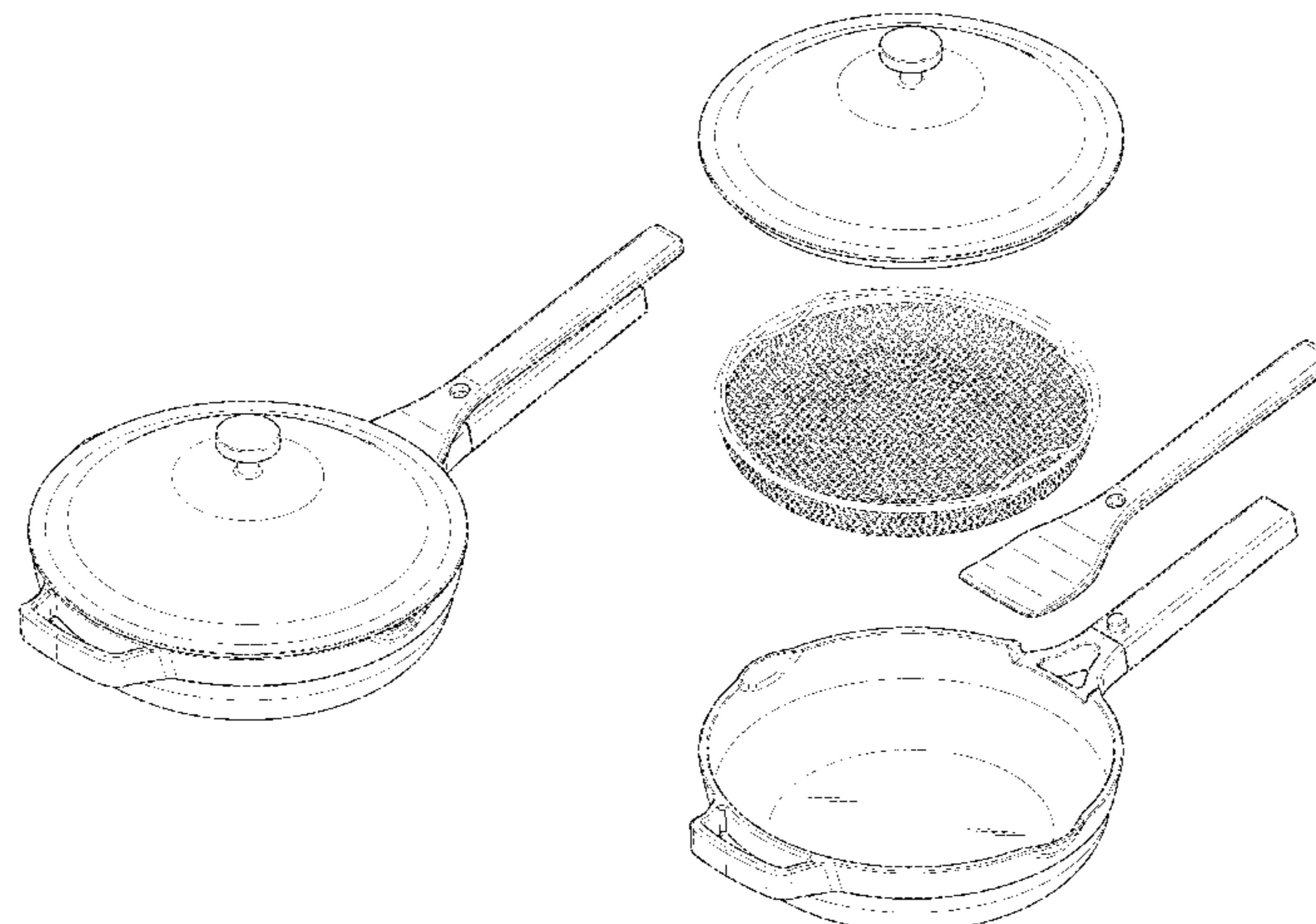
(57) **CLAIM**

The ornamental design for a cookware, as shown and described.

**DESCRIPTION**

FIG. 1 is a top perspective view of a cookware showing our new design;  
FIG. 2 is a bottom perspective view thereof;  
FIG. 3 is a right side elevation view thereof, the left side elevation view being a mirror image thereof;  
FIG. 4 is a front elevation view thereof;  
FIG. 5 is a rear elevation view thereof;  
FIG. 6 is a top plan view thereof;  
FIG. 7 is a bottom plan view thereof; and,  
FIG. 8 is an exploded perspective view.

(Continued)



The broken lines showing portions of the cookware form no part of the claimed design.

**1 Claim, 5 Drawing Sheets**

**(58) Field of Classification Search**

CPC ..... 36/06; A47J 36/16; A47J 36/24; A47J 36/022; A47J 36/027; A47J 37/00; A47J 37/01; A47J 37/04; A47J 37/06; A47J 37/10; A47J 37/07; A47J 43/20; A47G 19/28; F25D 2331/807

See application file for complete search history.

**(56) References Cited**

**U.S. PATENT DOCUMENTS**

4,310,418	A	1/1982	Busbey	
D273,755	S *	5/1984	Thurlow	D7/359
D324,624	S *	3/1992	Gerlach	D7/361
D363,851	S	11/1995	Chen	
D370,826	S *	6/1996	Thurlow	D7/360
6,419,107	B1 *	7/2002	Cheng	A47J 36/08 220/366.1
D469,655	S *	2/2003	Ryan	D7/361
6,848,592	B2	2/2005	Logiudice	
D559,032	S *	1/2008	Kellermann	D7/354
D579,714	S *	11/2008	Cheng	D7/360
D580,214	S	11/2008	Dodane	
D581,721	S *	12/2008	Rae	D7/360
D587,062	S	2/2009	Ek	
D587,519	S	3/2009	Cheng	
D756,163	S	5/2016	Gabbay	
D794,379	S *	8/2017	Mejia	D7/360
D797,494	S *	9/2017	Mirchandani	D7/361
D798,650	S *	10/2017	Joseph	D7/354
9,930,990	B1 *	4/2018	Gupta	A47J 36/02
D819,393	S	6/2018	Dodane	
D824,204	S *	7/2018	McGrath	D7/359
D850,186	S *	6/2019	Livingston	D7/361
D850,200	S *	6/2019	Jiang	D7/409
D852,576	S	7/2019	Jamison	
D879,545	S *	3/2020	Hollinger	D7/360
D879,546	S	3/2020	Hollinger	
D880,222	S *	4/2020	Hollinger	D7/361
D883,731	S *	5/2020	Tsai	D7/359

D888,490	S	6/2020	Li	
D891,178	S *	7/2020	Lu	D7/409
2004/0060936	A1 *	4/2004	Logiudice	A47J 45/062 220/254.1
2011/0073602	A1 *	3/2011	Musil	A47J 27/002 220/573.2
2012/0312822	A1 *	12/2012	Cheng	A47J 45/068 220/573.1
2013/0037553	A1	2/2013	Bourbeau	
2014/0183148	A1 *	7/2014	Ho	A47J 47/16 211/49.1
2015/0083711	A1 *	3/2015	Moon	A47J 27/002 219/621
2017/0245672	A1 *	8/2017	Lee	A47J 27/002
2018/0103800	A1 *	4/2018	Bischoff	A47J 37/108
2018/0271332	A1 *	9/2018	Chang	A47J 36/06
2018/0368625	A1	12/2018	Wada	
2020/0180815	A1 *	6/2020	Hollinger	B65D 21/0213
2020/0237162	A1 *	7/2020	Huang	A47J 45/071
2020/0305643	A1 *	10/2020	Rodriguez	A47J 37/108

**FOREIGN PATENT DOCUMENTS**

EM	007538731-0002	5/2020		
EP	2976977	A1	1/2016	
RU	2264152	C1	11/2005	
WO	WO-2010080738	A1 *	7/2010	H05B 6/1236

**OTHER PUBLICATIONS**

For a New Cook, This \$145 Pan Feels Like a Steal, announced May 22, 2020 [online], retrieved Dec. 23, 2020, retrieved from internet, <https://www.gearpatrol.com/home/a725974/our-place-always-pan-review/>.\*

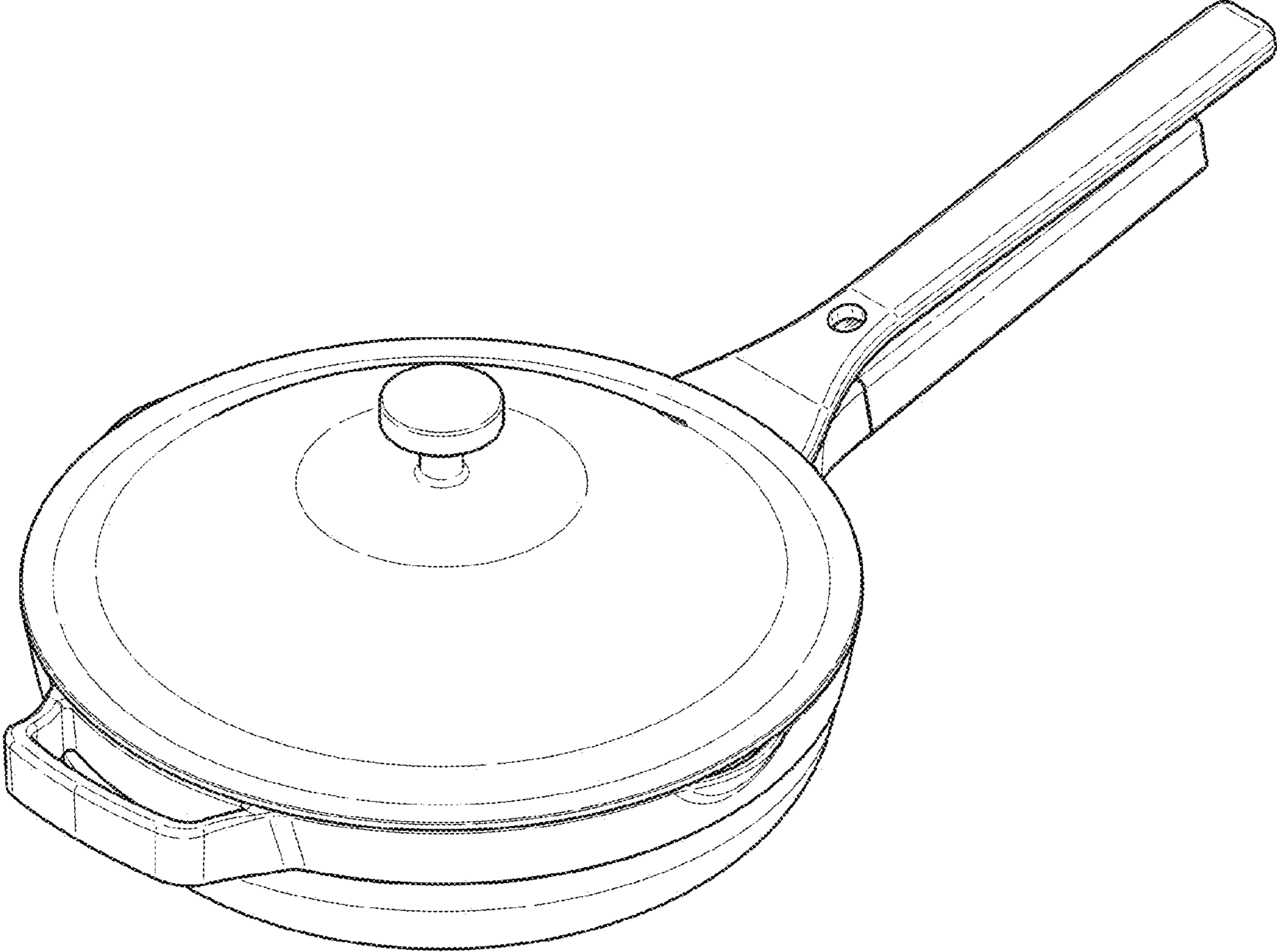
International Search Report and Written Opinion for PCT/US2020/042498 dated Oct. 15, 2020.

Always Pan, announced Dec. 16, 2019 [online], retrieved Sep. 25, 2020 from Internet, [https://fromourplace.com/products/always-essential-cooking-pan?utm\\_source=pepperjam&utm\\_medium=affiliate&utm\\_campaign=200286&clickId=3276306738](https://fromourplace.com/products/always-essential-cooking-pan?utm_source=pepperjam&utm_medium=affiliate&utm_campaign=200286&clickId=3276306738).

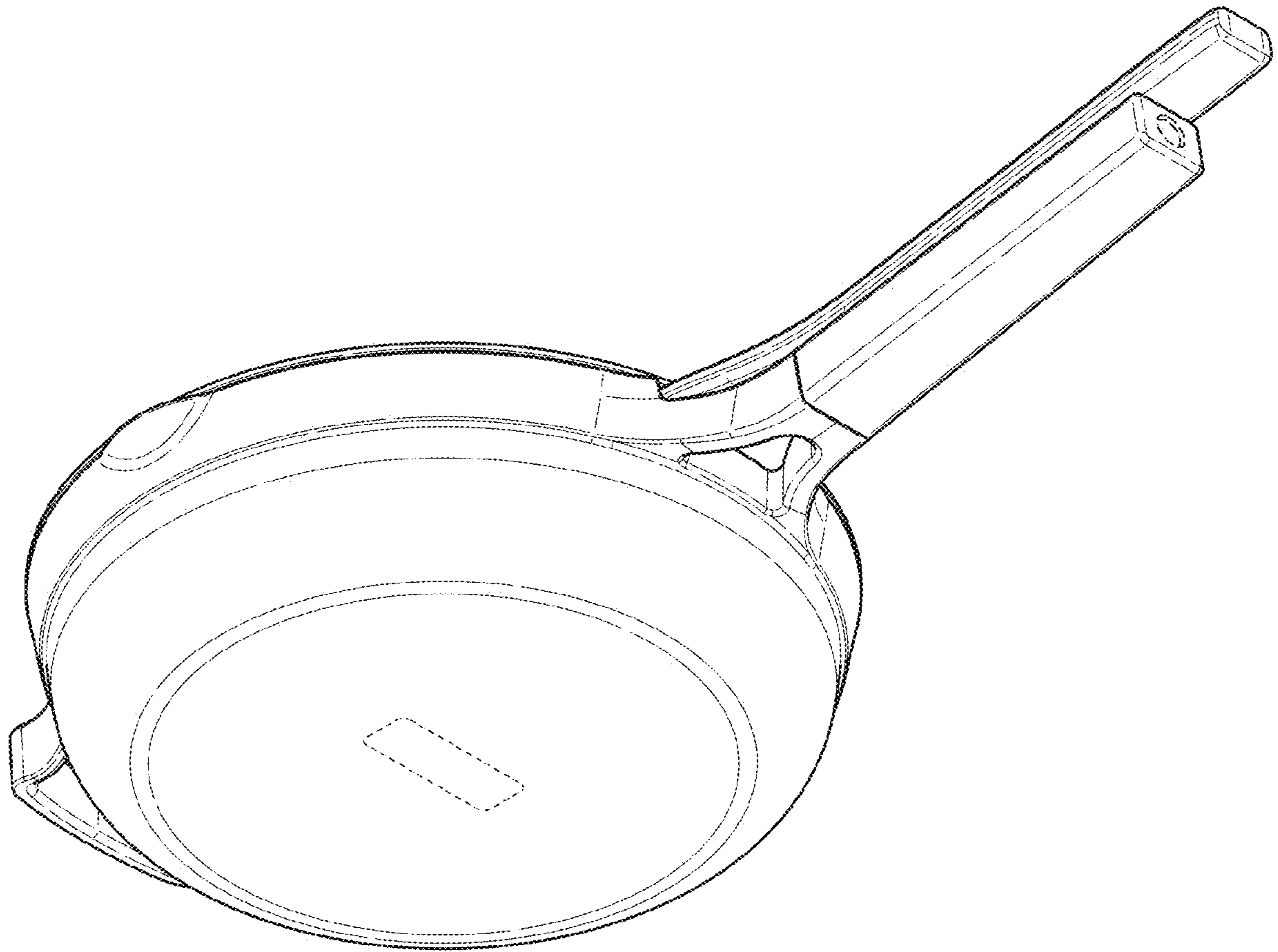
These Designers Created a Pan That Is Able to Replace Most of Your Cookware by Itself, announced Nov. 28, 2019 [online], retrieved Sep. 25, 2020 from Internet, <https://fortune.com/2019/11/28/our-place-always-pan-cookware-design/>.

A Pan for Just About Anything, announced Sep. 23, 2019 [online], retrieved Sep. 25, 2020 from Internet, <https://www.nytimes.com/2019/09/23/dining/always-pan-from-our-place.html>.

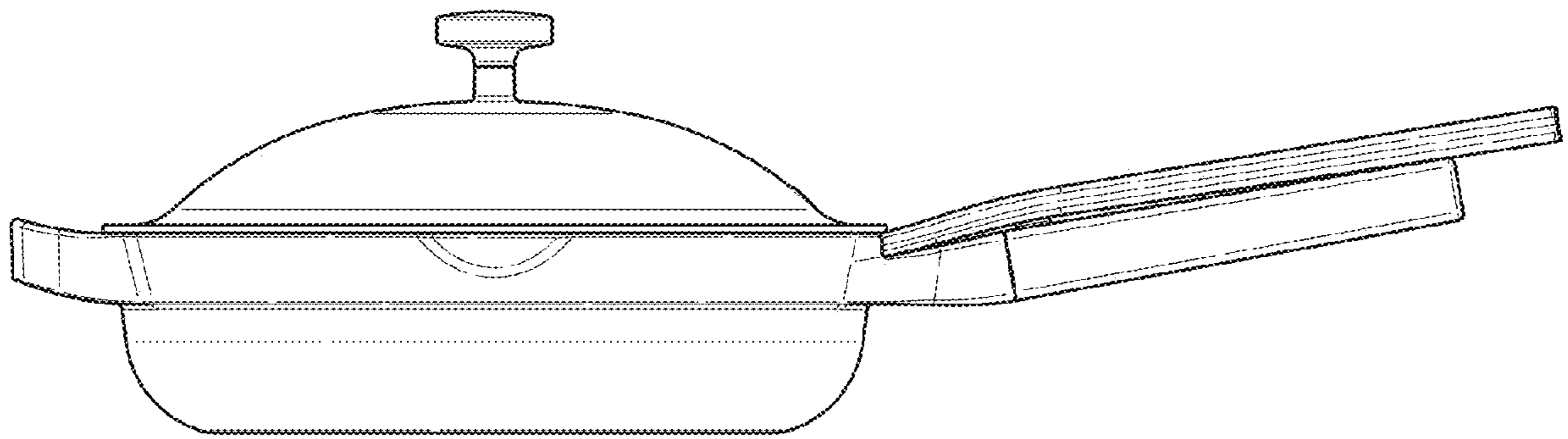
\* cited by examiner



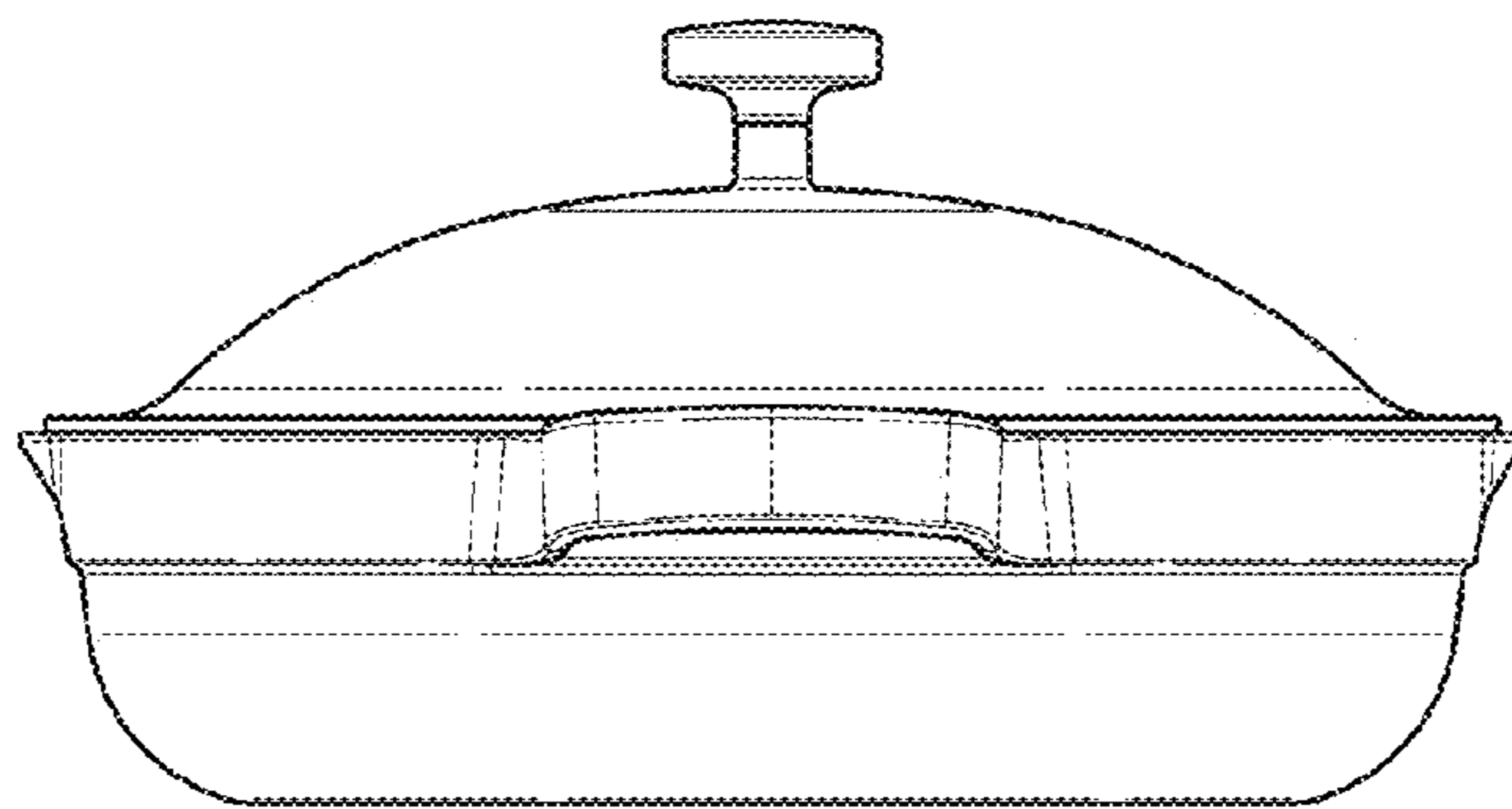
*FIG. 1*



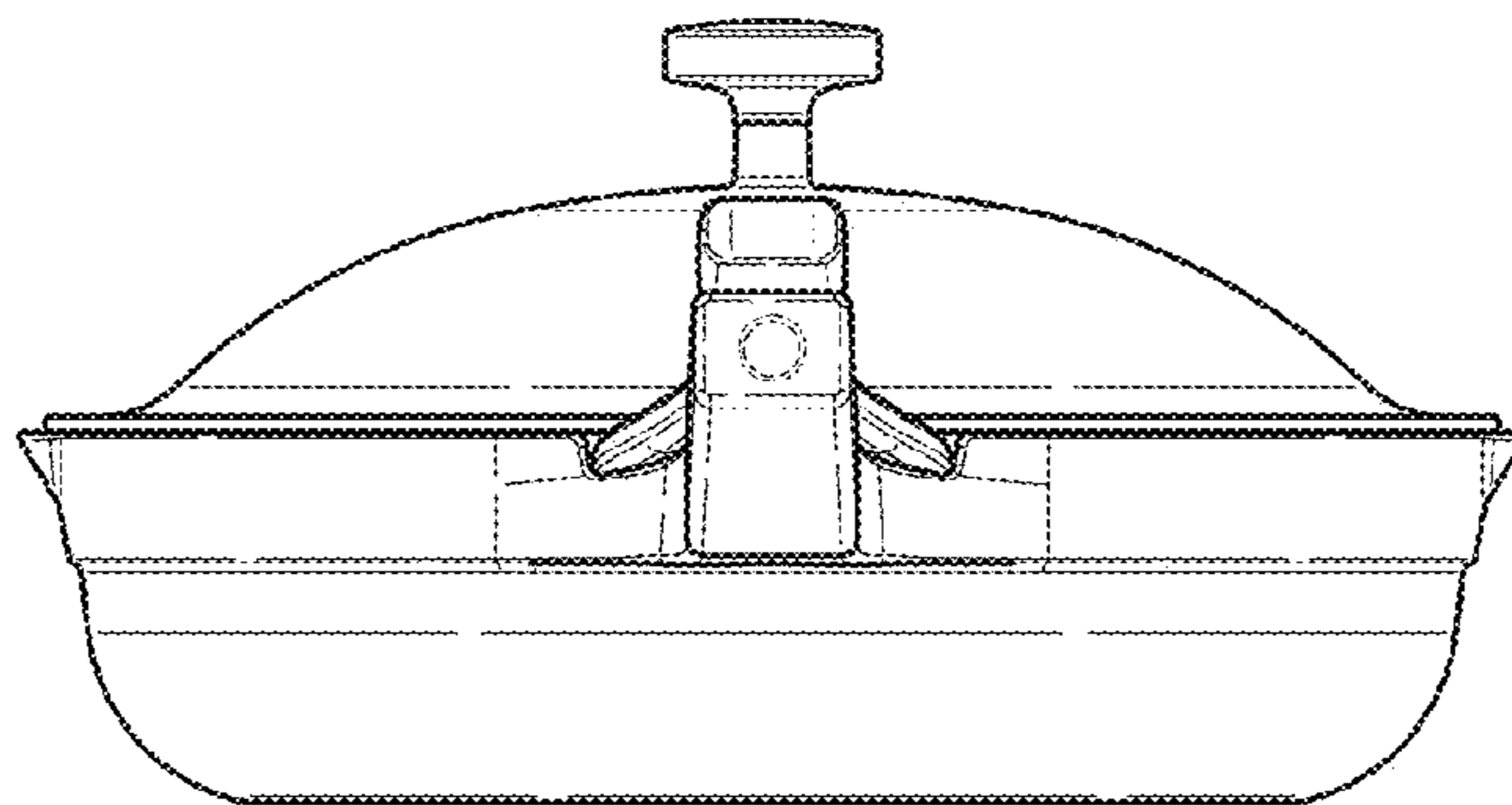
*FIG. 2*



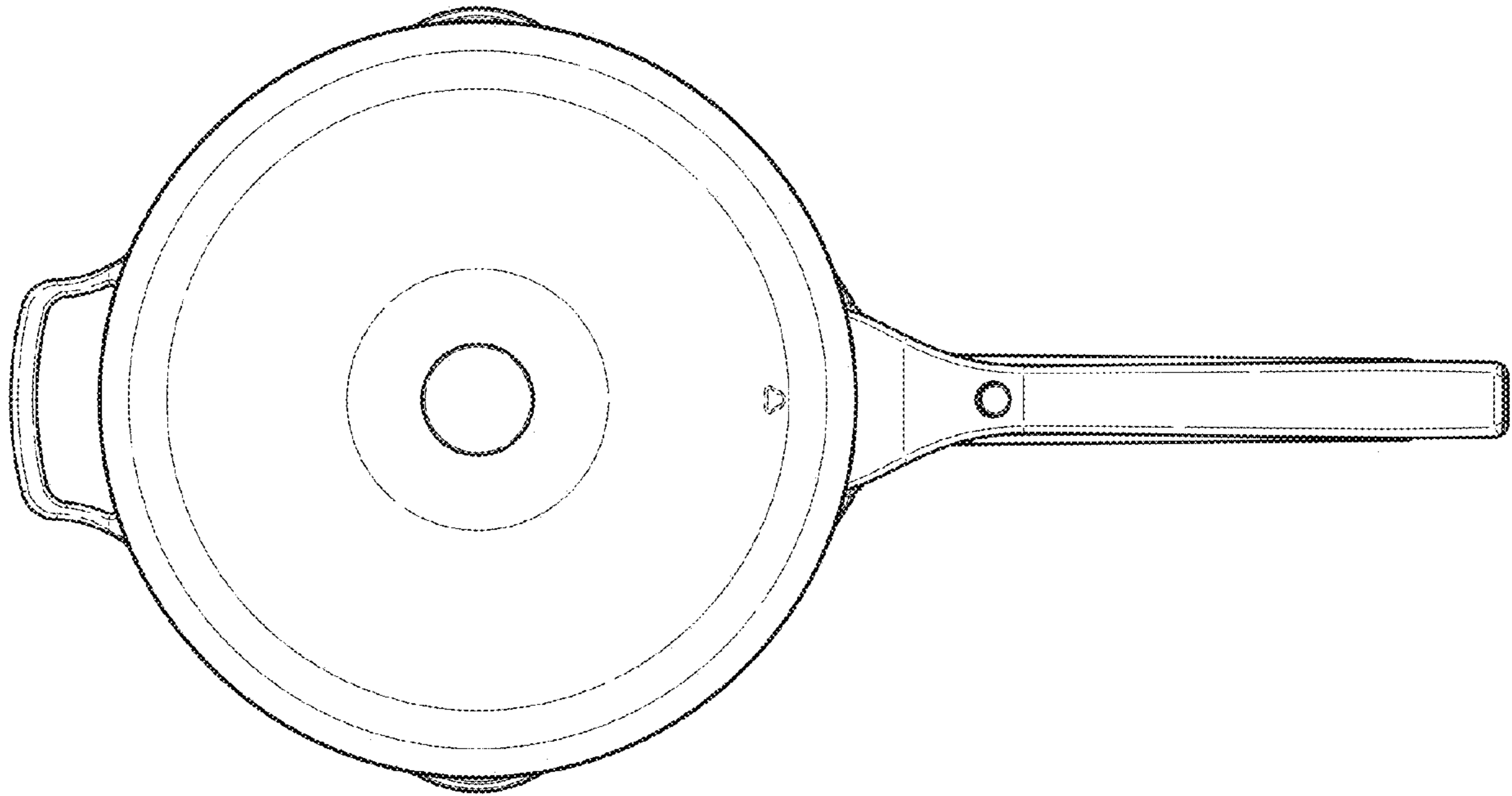
*FIG. 3*



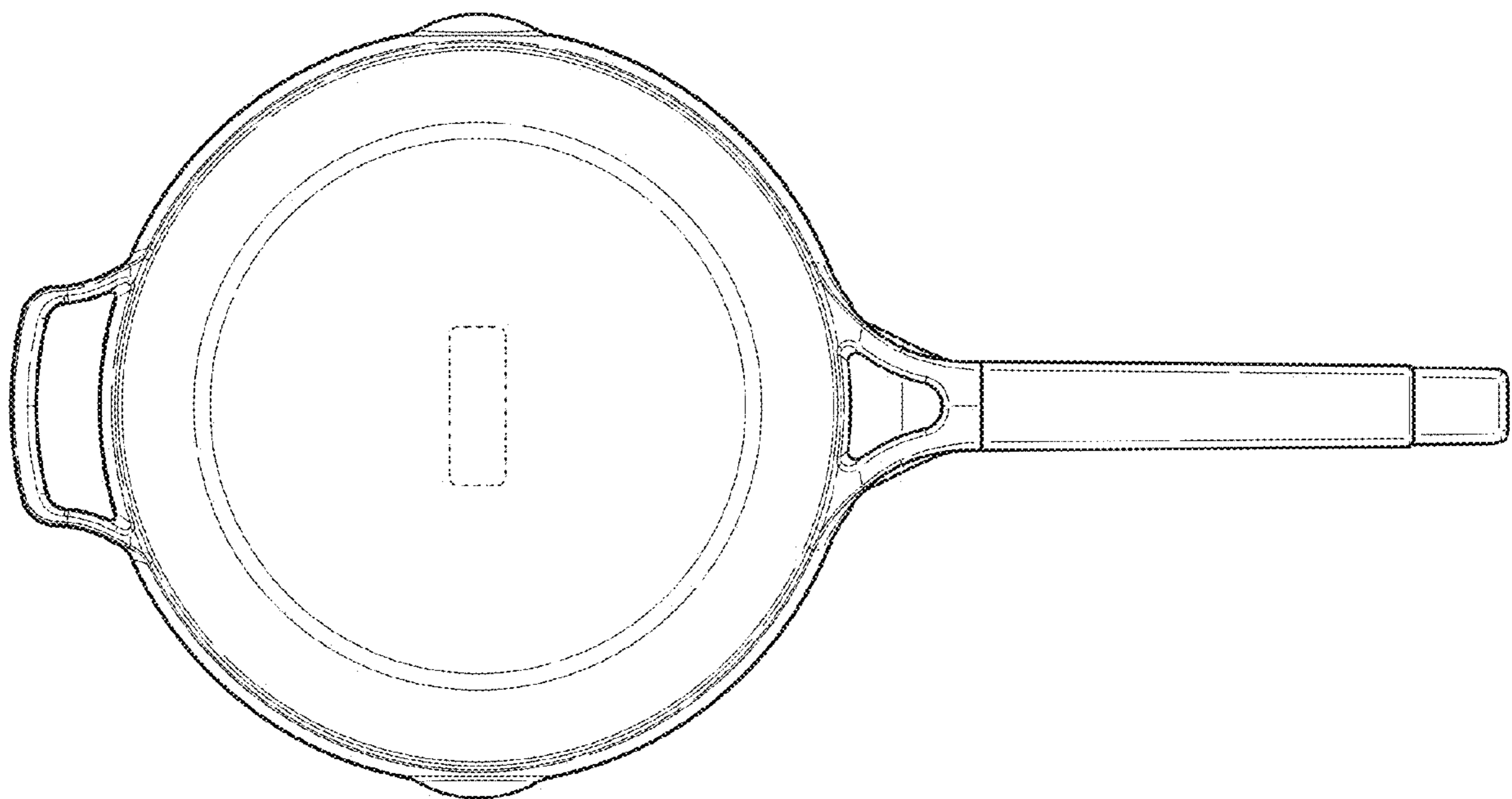
*FIG. 4*



*FIG. 5*



*FIG. 6*



*FIG. 7*



FIG. 8