



US00D929797S

(12) **United States Design Patent** (10) **Patent No.:** **US D929,797 S**
Dorion et al. (45) **Date of Patent:** **** *Sep. 7, 2021**

(54) **SKILLET**
(71) Applicants: **Chris Dorion**, South Pittsburg, TN
(US); **Kelly Peterson**, South Pittsburg,
TN (US)
(72) Inventors: **Chris Dorion**, South Pittsburg, TN
(US); **Kelly Peterson**, South Pittsburg,
TN (US)
(73) Assignee: **Lodge Manufacturing Company**,
South Pittsburg, TN (US)

RE17,005 E * 6/1928 Massing A47J 36/06
222/544
1,865,342 A * 6/1932 Stough A47J 45/071
220/759
1,970,151 A * 8/1934 Smith A47J 37/10
126/390.1

(Continued)

FOREIGN PATENT DOCUMENTS

GB 2363699 A * 1/2002 A47J 36/14

OTHER PUBLICATIONS

Blacklock *39* 12 Inch Triple Seasoned Cast Iron Skillet, no
announcement date [online], retrieved May 22, 2020, retrieved from
internet, https://www.lodgemfg.com/product/blacklock-skillet.*

(Continued)

Primary Examiner — Dana K Weiland
Assistant Examiner — Messina L Smith
(74) *Attorney, Agent, or Firm* — Miller & Martin PLLC;
Stephen J. Stark

(*) Notice: This patent is subject to a terminal dis-
claimer.
(**) Term: **15 Years**

(21) Appl. No.: **29/695,399**

(22) Filed: **Jun. 19, 2019**

(51) **LOC (13) Cl.** **07-02**

(52) **U.S. Cl.**
USPC **D7/360**

(58) **Field of Classification Search**

USPC D7/323, 352, 354, 355, 356, 357, 358,
D7/359, 360, 361, 362, 363, 364, 365,
D7/366, 396.1, 402, 409, 410
CPC .. A47J 27/00; A47J 37/00; A47J 37/01; A47J
37/04; A47J 37/06; A47J 37/10; A47J
37/0611; A47J 37/08; A47J 37/0807;
A47J 37/0814; A47J 37/0835; A47J
37/0842; A47J 37/085; A47J 37/0864;
A47J 37/0878; A47J 37/0885; A47J
37/0892; A47J 36/00; A47J 36/02; A47J
36/06; A47J 36/16; A47J 36/24; A47J
36/022; A47J 36/027

See application file for complete search history.

(56) **References Cited**

U.S. PATENT DOCUMENTS

1,467,272 A * 9/1923 Hazlehurst A47J 37/10
99/425
1,554,360 A * 9/1925 Massing A47J 37/101
222/544

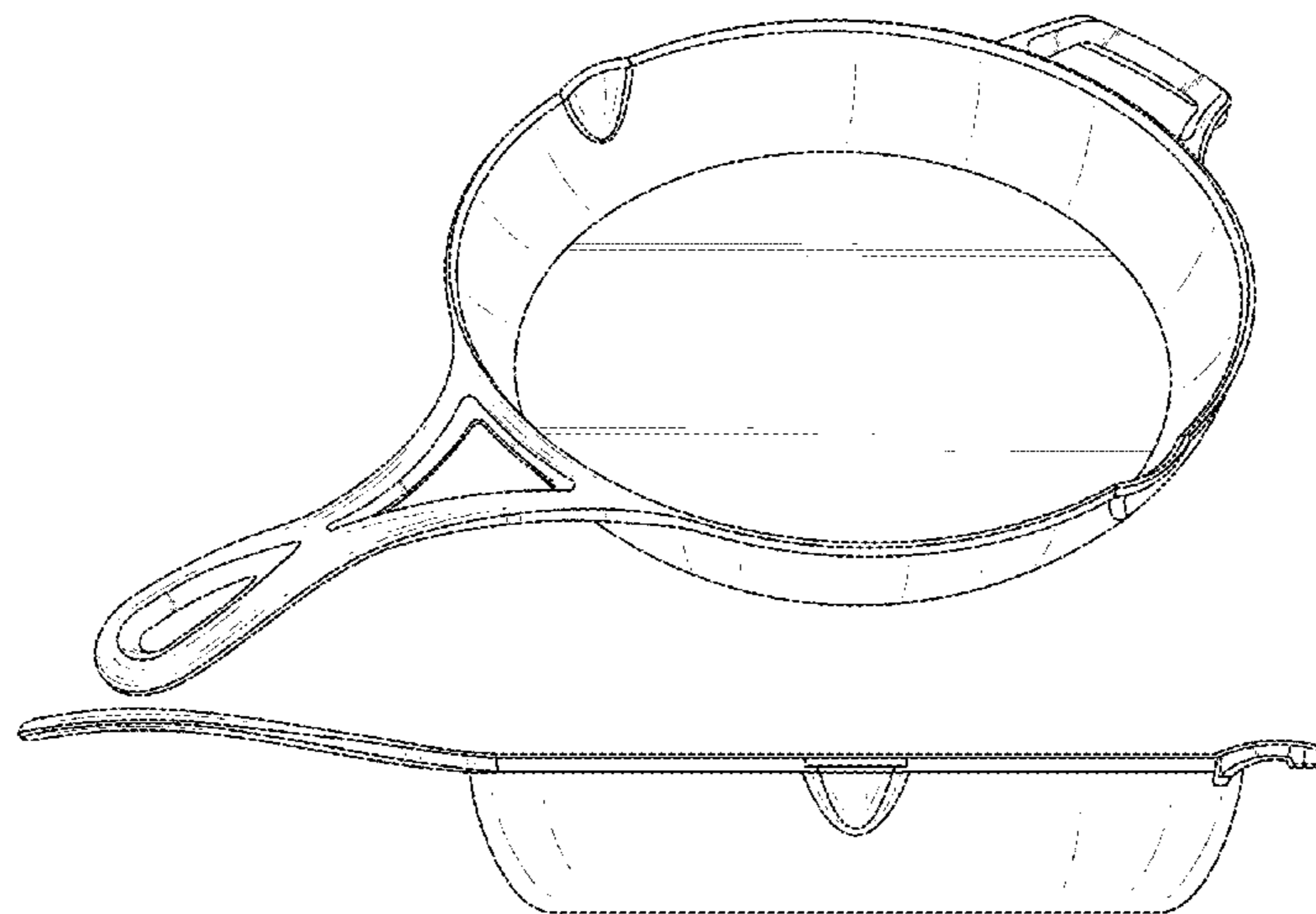
(57) **CLAIM**

The ornamental design for a skillet, as shown and described.

DESCRIPTION

FIG. 1 is a perspective view of a skillet, showing the new
design;
FIG. 2 is a right side elevational view thereof;
FIG. 3 is a left side elevational view thereof;
FIG. 4 is a front elevational view thereof;
FIG. 5 is a rear elevational view thereof;
FIG. 6 is a top elevational view thereof; and,
FIG. 7 is a bottom elevational view thereof.
The broken lines in the drawings depict portions of the
skillet that form no part of the claimed design.

1 Claim, 7 Drawing Sheets



(56)

References Cited

U.S. PATENT DOCUMENTS

1,970,723 A * 8/1934 Wolfe A47J 36/02
220/573.2
2,008,767 A * 7/1935 Munn A47J 37/10
99/425
2,788,561 A * 4/1957 Mueller F27D 5/00
D7/361
D442,025 S * 5/2001 Rae D7/395
D455,315 S * 4/2002 Cheng D7/354
6,419,107 B1 * 7/2002 Cheng A47J 36/08
220/366.1
D581,721 S * 12/2008 Rae D7/360
D618,494 S * 6/2010 Welk D7/354
D628,851 S * 12/2010 Bergne D7/354
D682,013 S * 5/2013 Huang D7/354
D696,060 S * 12/2013 Schleinzer D7/354
D712,194 S * 9/2014 Thonis D7/354
D756,163 S * 5/2016 Gabbay D7/354
D779,871 S * 2/2017 Zemel D7/354
D794,379 S * 8/2017 Mejia D7/354
D802,990 S * 11/2017 Workman D7/361
D879,545 S * 3/2020 Hollinger D7/360
D880,222 S * 4/2020 Hollinger D7/361
2013/0108761 A1 * 5/2013 Kenton A47J 37/10
426/523
2018/0125298 A1 * 5/2018 Workman A47J 45/062

OTHER PUBLICATIONS

Say Hello to the New Blacklock Cast Iron by Lodge, Aug. 18, 2019
[online], retrieved May 22, 2020, retrieved from internet, [https://
thervatlas.com/podcast/blacklock-cast-iron-by-lodge/](https://thervatlas.com/podcast/blacklock-cast-iron-by-lodge/).*

* cited by examiner

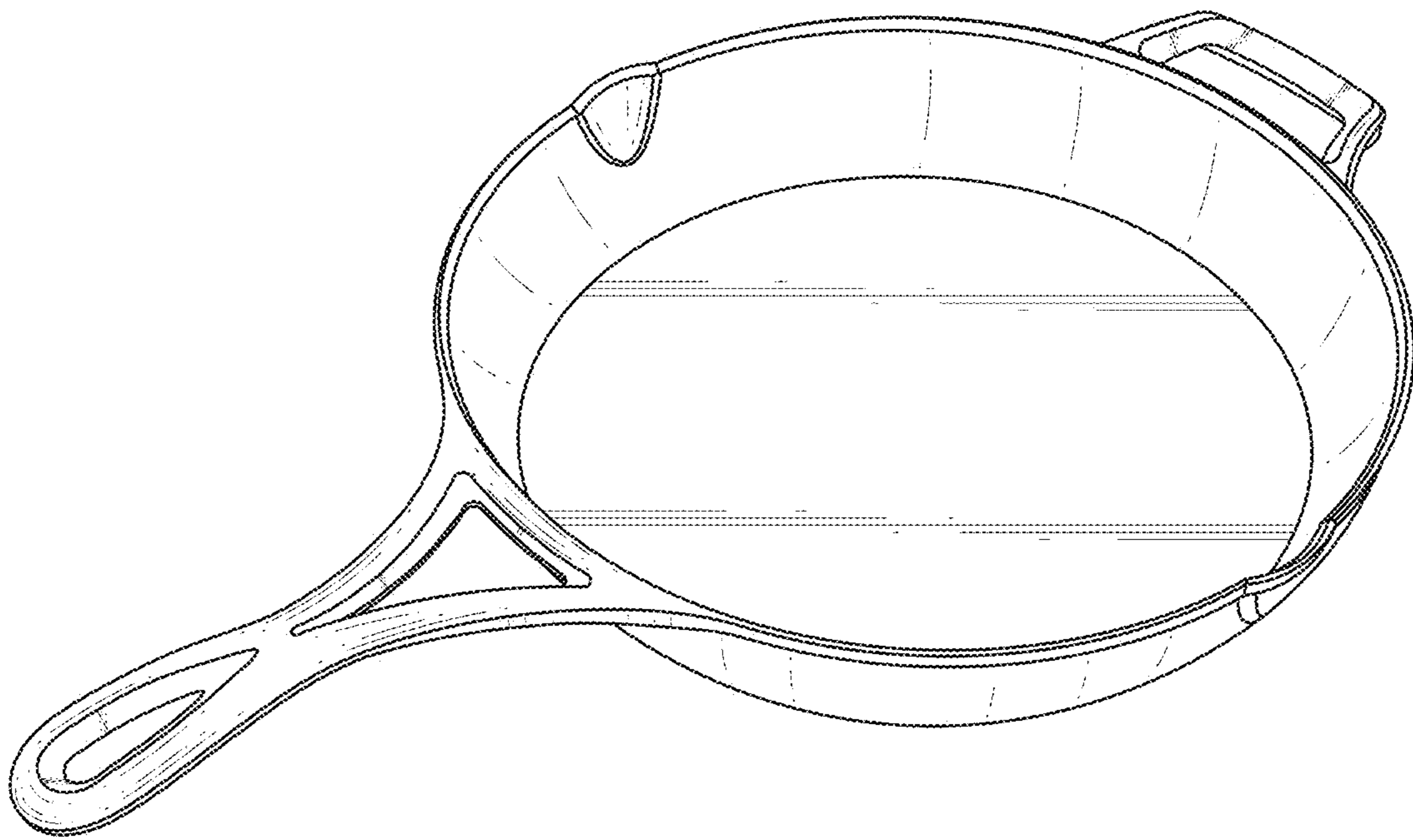


FIG. 1

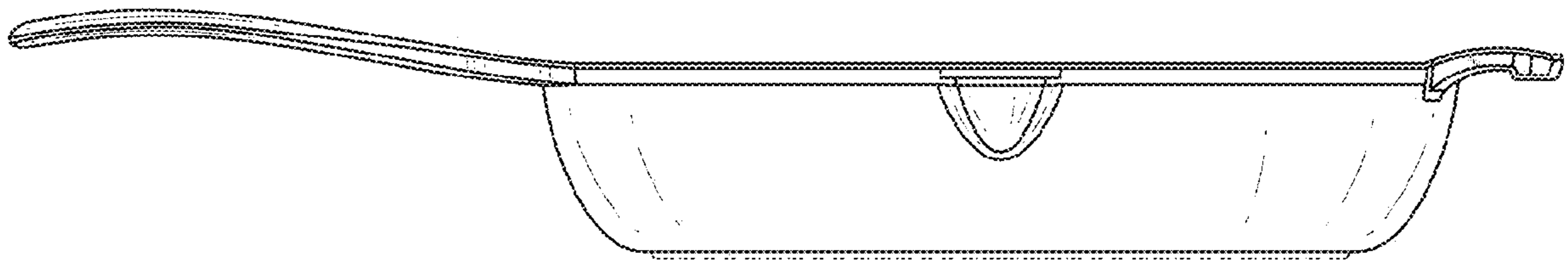


FIG. 2

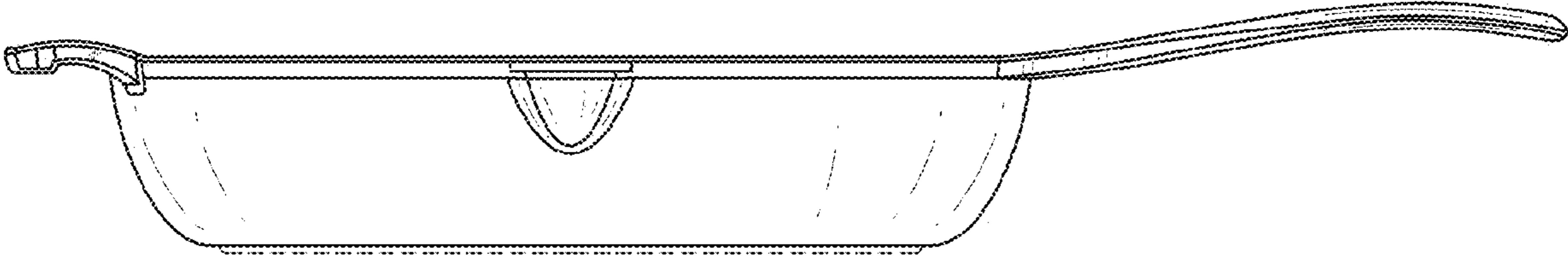


FIG. 3

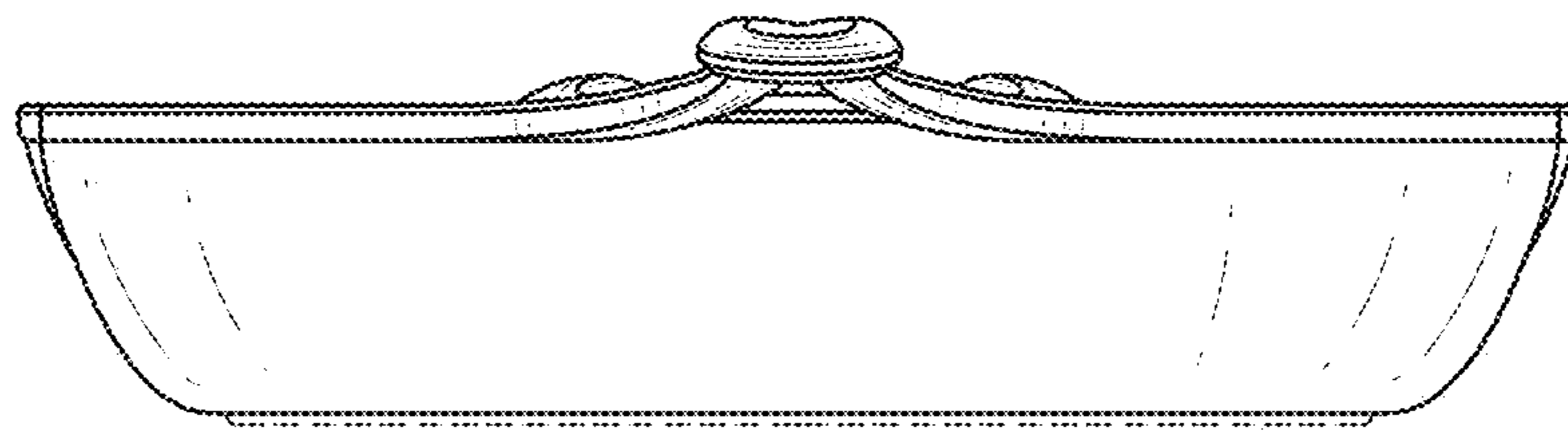


FIG. 4

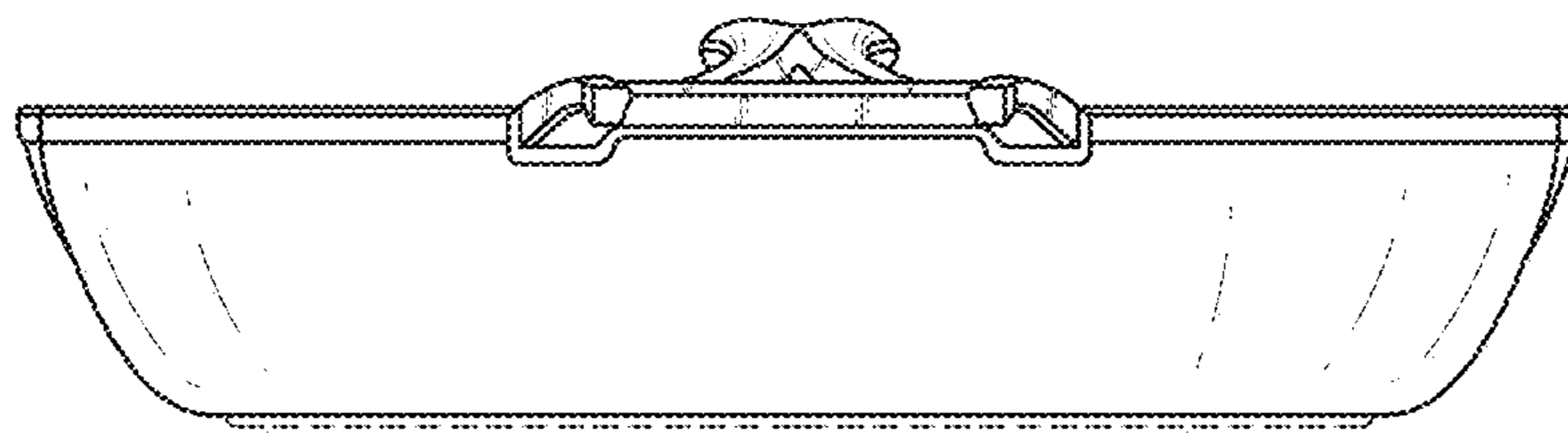


FIG. 5

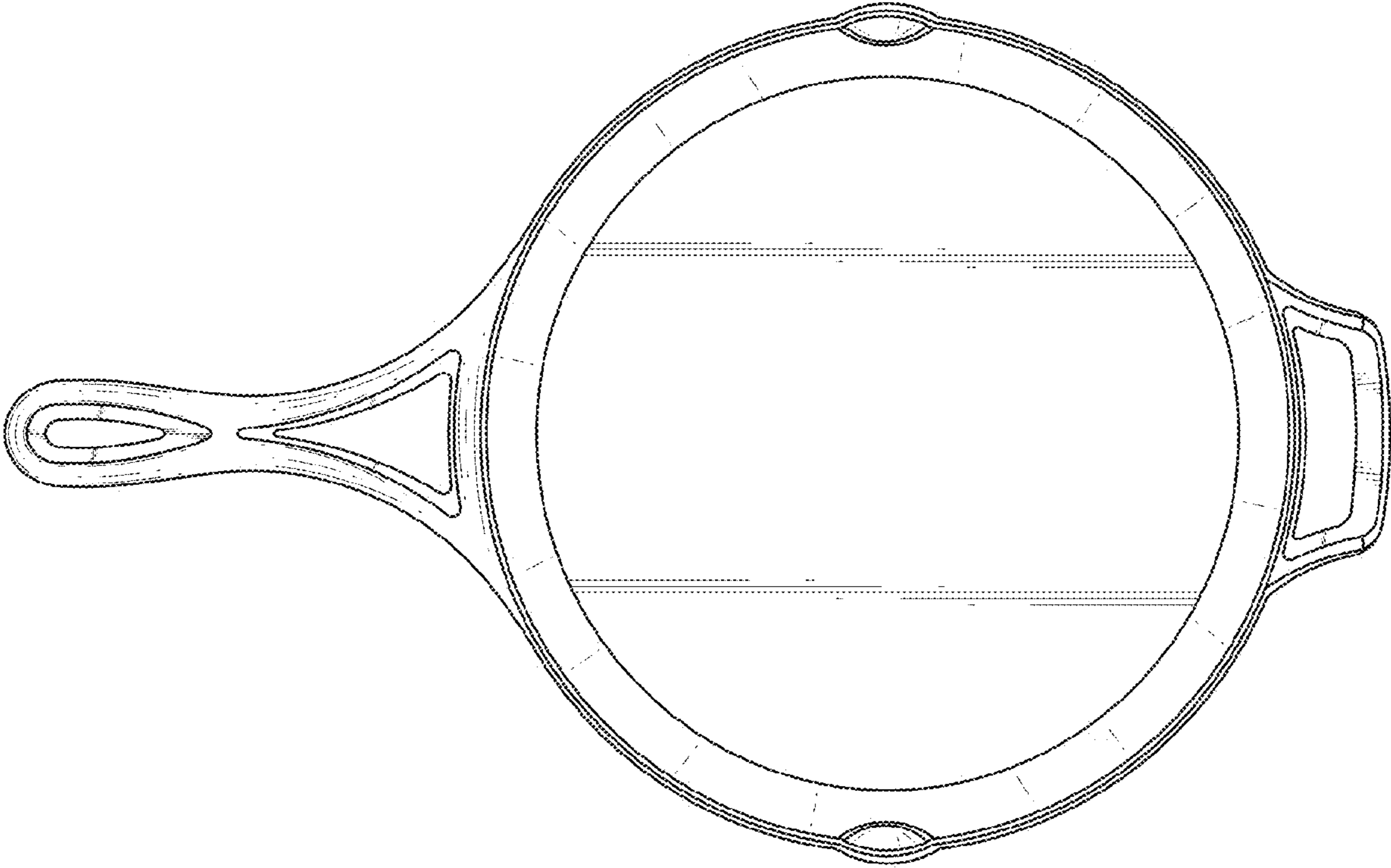


FIG. 6

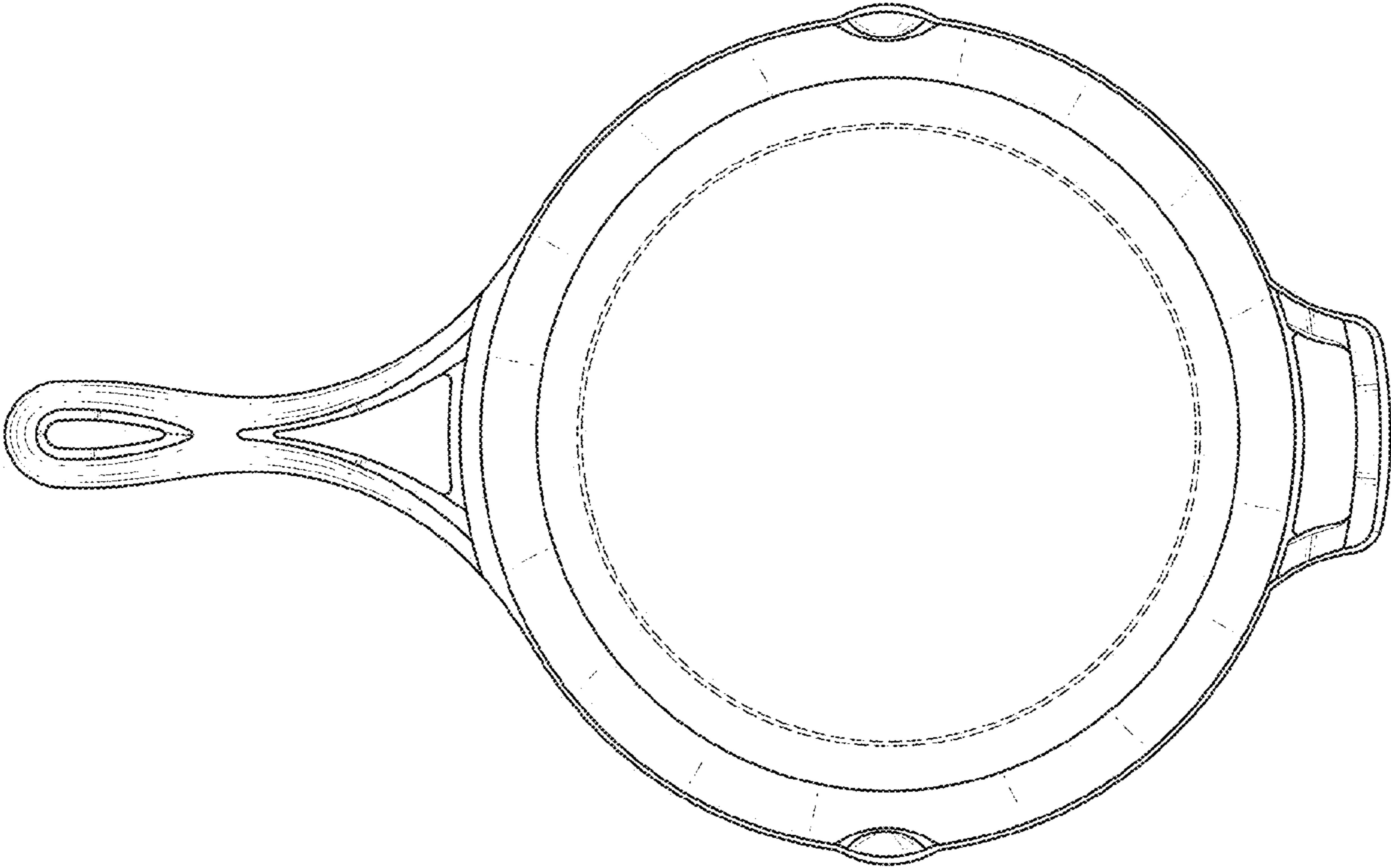


FIG. 7