



US00D929794S

(12) **United States Design Patent** (10) **Patent No.:** **US D929,794 S**
Deng et al. (45) **Date of Patent:** **** Sep. 7, 2021**

- (54) **FOOD PREPARATION DEVICE**
- (71) Applicant: **SharkNinja Operating LLC**,
Needham, MA (US)
- (72) Inventors: **Da Deng**, Newton, MA (US); **Dan Kestenbaum**, Brookline, MA (US)
- (73) Assignee: **SharkNinja Operating LLC**,
Needham, MA (US)
- (**) Term: **15 Years**
- (21) Appl. No.: **29/771,429**
- (22) Filed: **Feb. 23, 2021**

Related U.S. Application Data

- (62) Division of application No. 29/733,272, filed on Apr. 30, 2020, which is a division of application No. (Continued)
- (51) **LOC (13) Cl.** **07-02**
- (52) **U.S. Cl.**
USPC **D7/354; D7/358**
- (58) **Field of Classification Search**
USPC D7/323, 354-361, 391, 393
CPC A47J 27/00; A47J 27/004; A47J 27/08;
A47J 27/0802; A47J 27/0804; A47J
27/0806; A47J 27/0811; A47J 27/0813;
A47J 27/0815; A47J 27/0817; A47J
27/084; A47J 27/09; A47J 27/092; A47J
27/13; A47J 27/62; A47J 36/025; A47J
36/06; A47J 36/08; A47J 37/12; A47J
37/1204; A47J 37/1209; A47J 43/0772;
A47J 45/07; A47J 45/071; A47J 45/074;
A47J 45/08;

(Continued)

(56) **References Cited**
U.S. PATENT DOCUMENTS

1,986,088 A 1/1935 Wild
1,994,268 A 3/1935 Bartels
(Continued)

FOREIGN PATENT DOCUMENTS

CN 2253170 Y 4/1997
CN 1218653 A 6/1999
(Continued)

OTHER PUBLICATIONS

Ninja Kitchen; "Ninja Foodi: Pro Grill"; Announced Aug. 15, 2019 [online]; Site visited Jun. 15, 2020; 14 pages; Available from Internet URL: <https://direct.ninjakitchen.com/16/products/ninja-foodi-grill-ag302/16/microsite/ogxvii/?ppt=2>.
(Continued)

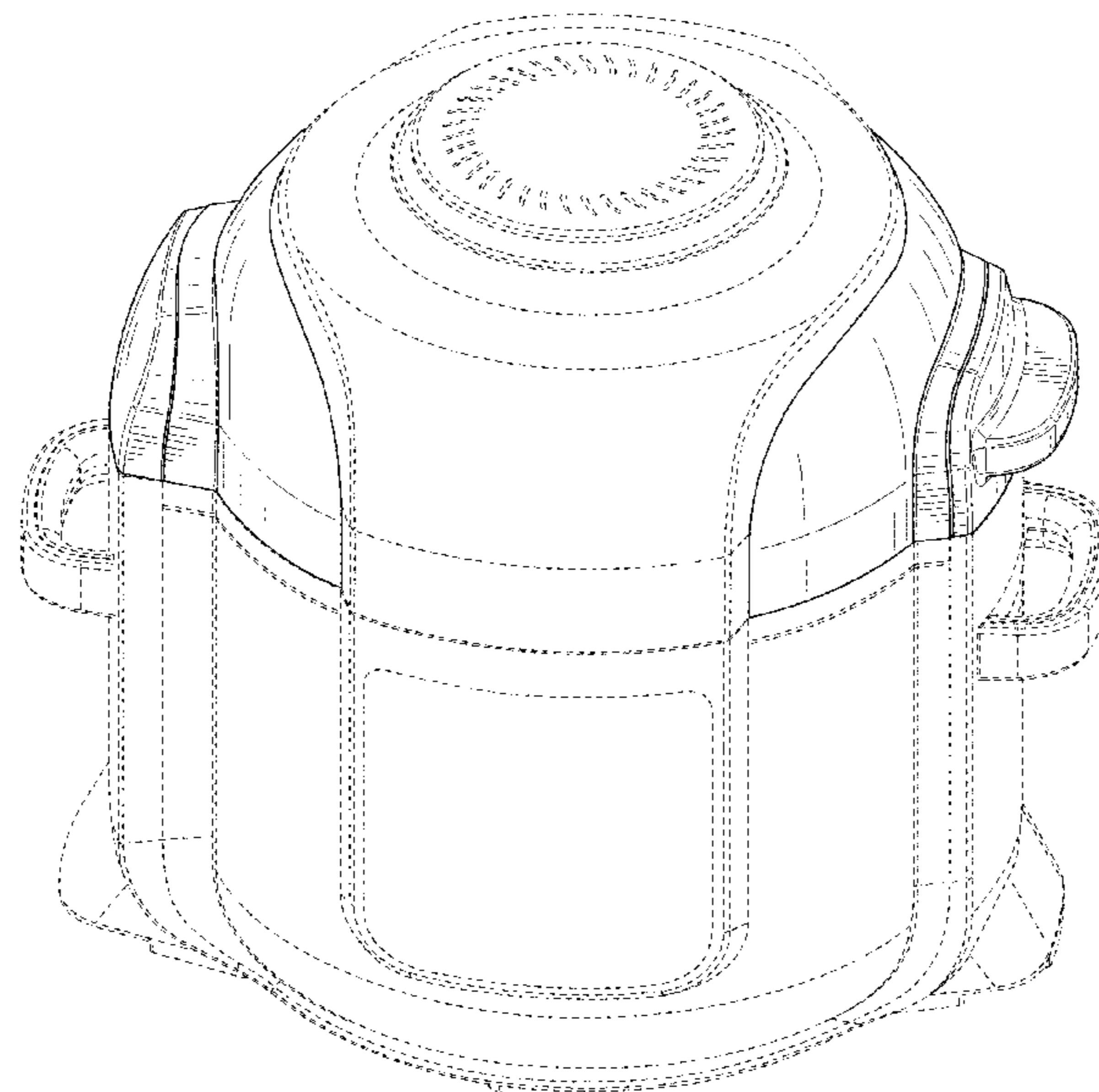
Primary Examiner — Ricky Pham

(57) **CLAIM**
The ornamental design for a food preparation device, as shown and described.

DESCRIPTION

FIG. 1 is a perspective view of a food preparation device, showing our new design;
FIG. 2 is a front view of the embodiment shown in FIG. 1;
FIG. 3 is a rear view of the embodiment shown in FIG. 1;
FIG. 4 is a side view of the embodiment shown in FIG. 1;
FIG. 5 is another side view of the embodiment shown in FIG. 1;
FIG. 6 is a top view of the embodiment shown in FIG. 1;
and,
FIG. 7 is a bottom view of the embodiment shown in FIG. 1.
The broken lines in the figures are for environmental purposes only and form no part of the claimed design.

1 Claim, 7 Drawing Sheets



Related U.S. Application Data

29/659,577, filed on Aug. 9, 2018, now Pat. No. Des. 883,015.

(58) **Field of Classification Search**

CPC B01D 2201/345; B01J 3/03; B01J 3/04; F01P 2011/0247; F01P 2011/0252; F26B 9/003; H05B 6/00; H05B 6/02; H05B 6/06

See application file for complete search history.

(56) **References Cited**

U.S. PATENT DOCUMENTS

2,055,972 A 9/1936 Fritsche
 D105,670 S 8/1937 Nelson
 2,188,757 A 1/1940 Moon
 2,253,833 A 8/1941 Volks
 2,313,968 A 3/1943 Reich
 2,378,950 A 6/1945 Reich
 2,785,277 A 3/1957 Jepson
 3,076,405 A 2/1963 Lang
 3,122,134 A 2/1964 Reeves
 3,514,301 A 5/1970 Berger
 3,529,582 A 9/1970 Hurko et al.
 3,610,885 A 10/1971 Zingg
 3,821,454 A 6/1974 Lobel
 3,828,760 A 8/1974 Farber et al.
 4,106,486 A 8/1978 Lee
 D249,924 S 10/1978 Fischer
 4,148,250 A 4/1979 Miki et al.
 4,162,741 A 7/1979 Walker et al.
 D255,751 S 7/1980 Daenen
 4,210,072 A 7/1980 Pedrini
 4,241,288 A 12/1980 Aoshima et al.
 4,268,741 A 5/1981 O'Brien
 4,374,318 A 2/1983 Gilliom
 4,484,063 A 11/1984 Whittenburg et al.
 4,509,412 A 4/1985 Whittenburg et al.
 4,591,698 A 5/1986 Chang
 4,728,762 A 3/1988 Roth et al.
 D296,643 S 7/1988 Mueller
 4,771,162 A 9/1988 Schatz
 D300,108 S 3/1989 Iwahashi
 4,848,217 A 7/1989 Koziol
 4,889,972 A 12/1989 Chang
 D309,078 S 7/1990 Kokubo
 5,000,085 A 3/1991 Archer
 D316,007 S 4/1991 Wagner
 5,008,508 A 4/1991 Skerker et al.
 5,012,071 A 4/1991 Henke
 5,029,519 A 7/1991 Boyen
 5,031,519 A 7/1991 Toida et al.
 5,036,179 A 7/1991 Westerberg et al.
 5,048,400 A 9/1991 Ueda et al.
 5,092,229 A 3/1992 Chen
 5,097,753 A 3/1992 Naft
 5,105,725 A 4/1992 Haglund
 D328,549 S 8/1992 Skerker et al.
 5,205,274 A 4/1993 Smith et al.
 5,251,542 A 10/1993 Itoh
 5,355,777 A 10/1994 Chen et al.
 5,416,950 A 5/1995 Dornbush et al.
 5,445,061 A 8/1995 Barradas
 5,485,780 A 1/1996 Koether et al.
 5,513,558 A 5/1996 Erickson et al.
 5,526,734 A 6/1996 Harrison
 5,549,039 A 8/1996 Ito et al.
 5,567,458 A 10/1996 Wu
 5,588,352 A 12/1996 Harrison
 5,590,583 A 1/1997 Harrison
 5,615,607 A 4/1997 Delaquis et al.
 5,619,983 A 4/1997 Smith
 5,632,403 A 5/1997 Deng
 D380,504 S 7/1997 Yang
 5,649,476 A 7/1997 Montagnino et al.

5,676,044 A 10/1997 Lara, Jr.
 5,699,722 A 12/1997 Erickson et al.
 5,740,721 A 4/1998 Bizard et al.
 5,768,976 A 6/1998 Suk
 D397,261 S 8/1998 Sellers
 5,839,357 A 11/1998 Ha et al.
 5,865,104 A 2/1999 Sham et al.
 5,896,808 A 4/1999 Graur
 5,932,130 A 8/1999 Taino
 5,957,038 A 9/1999 Shimazaki
 5,967,021 A 10/1999 Yung
 6,006,939 A 12/1999 Wai
 6,014,986 A 1/2000 Baumgarten
 6,019,029 A 2/2000 Chan
 6,023,050 A 2/2000 Violi
 6,060,698 A 5/2000 Petrides et al.
 6,066,837 A 5/2000 McCormick et al.
 6,067,896 A 5/2000 Elorza
 6,070,518 A 6/2000 Kao
 6,082,249 A 7/2000 Su
 6,083,543 A 7/2000 Kim et al.
 6,097,016 A 8/2000 Hirata et al.
 6,103,291 A 8/2000 Fernandez Tapia
 6,104,004 A 8/2000 Ragland et al.
 6,105,808 A 8/2000 Mendonca
 D430,776 S 9/2000 Pai
 6,116,151 A 9/2000 Fickert et al.
 6,125,737 A 10/2000 Chang
 6,135,012 A 10/2000 Kao
 6,135,013 A 10/2000 Barrena
 6,158,606 A 12/2000 Oliver
 6,173,643 B1 1/2001 Qian et al.
 6,178,876 B1 1/2001 Kao
 6,191,393 B1 2/2001 Park
 6,201,217 B1 3/2001 Moon et al.
 6,242,025 B1 6/2001 Lesky et al.
 6,252,206 B1 6/2001 Leukhardt, III et al.
 6,255,630 B1 7/2001 Barnes et al.
 6,257,124 B1 7/2001 Chen
 6,262,396 B1 7/2001 Witt et al.
 6,267,046 B1 7/2001 Wanat
 6,268,592 B1 7/2001 Hu et al.
 6,269,737 B1 8/2001 Rigney et al.
 6,271,504 B1 8/2001 Barritt
 6,283,014 B1 9/2001 Ng et al.
 6,283,015 B1 9/2001 Kwon et al.
 6,320,166 B1 11/2001 Park
 6,355,914 B1 3/2002 Stockley
 6,384,381 B2 5/2002 Witt et al.
 D458,078 S 6/2002 Lin
 6,399,925 B1 6/2002 Pickering et al.
 6,414,254 B1 7/2002 McNair
 6,425,320 B1 7/2002 Chameroy et al.
 6,443,053 B1 9/2002 Rossi
 6,450,085 B1 9/2002 Riesselman
 6,450,361 B1 9/2002 Mendelson et al.
 6,454,225 B1 9/2002 Jaworski
 6,455,085 B1 9/2002 Duta
 D464,233 S 10/2002 Pai
 6,467,645 B2 10/2002 Park
 6,486,453 B1 11/2002 Bales et al.
 6,494,337 B1 12/2002 Moroni
 6,509,550 B1 1/2003 Li
 6,513,420 B1 2/2003 Park
 6,523,459 B1 2/2003 Chameroy et al.
 6,528,772 B1 3/2003 Graves et al.
 6,540,097 B1 4/2003 Beck et al.
 6,545,252 B2 4/2003 Wang
 6,552,309 B1 4/2003 Kish et al.
 6,559,427 B1 5/2003 Barnes et al.
 6,565,903 B2 5/2003 Ng et al.
 6,573,483 B1 6/2003 Decobert et al.
 6,604,453 B2 8/2003 Niese
 6,615,706 B1 9/2003 Wu
 6,615,708 B1 9/2003 Lin
 6,631,824 B2 10/2003 Park
 6,669,047 B2 10/2003 Wooderson et al.
 6,648,162 B1 11/2003 Wooderson et al.
 6,617,554 B2 12/2003 Moon et al.

(56)

References Cited

U.S. PATENT DOCUMENTS

6,657,167	B2	12/2003	Loveless
6,695,319	B1	2/2004	Anota et al.
D487,212	S	3/2004	Park
6,698,337	B1	3/2004	Park
6,705,209	B2	3/2004	Yang et al.
6,723,963	B2	4/2004	Ronda
6,730,881	B1	5/2004	Arntz et al.
6,730,882	B2	5/2004	Atkinson
6,730,889	B1	5/2004	Jones-Lawlor
6,732,636	B1	5/2004	Germano
6,736,131	B2	5/2004	Yamamoto et al.
6,740,855	B1	5/2004	Decobert et al.
6,742,445	B2	6/2004	Backus et al.
6,747,250	B1	6/2004	Cha
6,755,319	B2	6/2004	Park
6,758,132	B1	7/2004	Kuo et al.
6,777,651	B1	8/2004	Boyer
6,782,805	B2	8/2004	Backus et al.
6,782,806	B2	8/2004	Backus et al.
6,802,429	B1	10/2004	Wildman
6,809,297	B2	10/2004	Moon et al.
6,812,433	B1	11/2004	Barritt
6,815,644	B1	11/2004	Muegge et al.
6,831,254	B2	12/2004	Barritt
6,837,150	B2	1/2005	Backus et al.
6,841,762	B2	1/2005	Suzuki
6,845,707	B1	1/2005	Xu et al.
6,851,351	B2	2/2005	Payen et al.
6,872,921	B1	3/2005	Decobert et al.
6,874,408	B2	4/2005	Backus et al.
6,877,633	B2	4/2005	Niese
6,903,310	B1	6/2005	Lee
6,917,017	B2	7/2005	Moon et al.
6,933,477	B2	8/2005	Becker et al.
6,935,223	B2	8/2005	Kobayashi
6,936,795	B1	8/2005	Moon et al.
6,936,801	B1	8/2005	Head
6,941,857	B2	9/2005	McLemore
D514,383	S	2/2006	Vetter
7,009,147	B1	3/2006	Schulte
7,012,220	B2	3/2006	Boyer et al.
7,012,221	B2	3/2006	Li
7,021,203	B2	4/2006	Backus et al.
7,021,204	B2	4/2006	Backus et al.
7,053,337	B2	5/2006	Ragan et al.
7,060,943	B2	6/2006	Hwang
7,081,601	B2	7/2006	Boyer et al.
7,082,871	B2	8/2006	Schultz
7,086,326	B2	8/2006	Yokoyama
7,126,088	B2	10/2006	Horton et al.
D532,644	S	11/2006	Ball
7,148,451	B2	12/2006	Miyake et al.
7,154,069	B1	12/2006	Gordon
7,156,087	B1	1/2007	Churchill et al.
7,157,675	B2	1/2007	Imura
7,166,822	B1	1/2007	Chang et al.
D549,517	S	8/2007	Moran
7,276,677	B1	10/2007	Shelton
7,285,751	B2	10/2007	Li et al.
D555,777	S	11/2007	Aveldson et al.
7,322,279	B2	1/2008	Cartigny et al.
7,322,280	B2	1/2008	Seurat Guiochet et al.
7,325,481	B2	2/2008	Helm
7,368,688	B2	5/2008	Kim et al.
7,373,874	B2	5/2008	Seurat Guiochet et al.
7,377,208	B2	5/2008	Ho et al.
D573,466	S	7/2008	White et al.
7,411,159	B2	8/2008	Oosterling
7,412,922	B2	8/2008	McLemore
D581,200	S	11/2008	Lee
D581,201	S	11/2008	Lee
7,451,691	B2	11/2008	Robertson
7,451,692	B2	11/2008	Baraille et al.
7,468,495	B2	12/2008	Carbone et al.
7,523,696	B2	4/2009	Seurat Guiochet et al.
D592,445	S	5/2009	Sorenson et al.
7,530,302	B2	5/2009	Stephanou
7,565,862	B2	7/2009	Cartigny et al.
D602,283	S	10/2009	Glenn
7,605,349	B2	10/2009	Gaynor et al.
D604,098	S	11/2009	Hamlin
7,619,186	B2	11/2009	Cavada et al.
D606,799	S	12/2009	Saunders
7,624,674	B2	12/2009	Chameroy et al.
7,637,206	B2	12/2009	Seurat Guiochet et al.
7,669,521	B2	3/2010	Cartigny et al.
7,703,385	B2	4/2010	Seurat Guiochet et al.
D616,246	S	5/2010	Filho et al.
7,718,928	B2	5/2010	He et al.
D616,731	S	6/2010	Hart
7,726,508	B2	6/2010	Hasegawa
7,762,420	B2	7/2010	Auwarter et al.
D622,100	S	8/2010	Carlini
7,766,003	B2	8/2010	Kim
7,775,390	B2	8/2010	De Bastos Reis Portugal et al.
7,800,022	B2	9/2010	Kim
7,838,799	B2	11/2010	Freedman
7,875,836	B2	1/2011	Imura et al.
D632,129	S	2/2011	Chen
D637,861	S	5/2011	Degnan
7,935,914	B2	5/2011	Imura
7,964,824	B2	6/2011	Moon
7,968,824	B2	6/2011	Lee et al.
D640,896	S	7/2011	Molayem
8,006,685	B2	8/2011	Bolton et al.
D645,703	S	9/2011	Sadtler
8,011,293	B2	9/2011	McFadden et al.
D646,525	S	10/2011	Molayem
D651,456	S	1/2012	Moon et al.
8,096,436	B2	1/2012	Rhetat et al.
8,096,440	B2	1/2012	Rhetat et al.
D658,949	S	5/2012	Tsui
8,205,543	B2	6/2012	Rhetat et al.
8,247,751	B2	8/2012	Jagannathan
D667,255	S	9/2012	Reiner
8,258,435	B2	9/2012	Bonuso et al.
D668,109	S	10/2012	Börjesson
D669,730	S	10/2012	Mandil
8,276,507	B1	10/2012	Walker
8,286,548	B2	10/2012	Krishnan et al.
8,299,404	B2	10/2012	Van Der Weij
D671,354	S	11/2012	Ou et al.
8,302,800	B2	11/2012	Hasegawa
8,304,695	B2	11/2012	Bonuso et al.
8,330,083	B2	12/2012	Moon et al.
8,338,757	B2	12/2012	Isoda et al.
8,378,265	B2	2/2013	Greenwood et al.
8,381,712	B1	2/2013	Simms, II
D677,515	S	3/2013	Cloutier
8,393,262	B1	3/2013	Molayem
8,461,488	B2	6/2013	Jeong et al.
D686,452	S	7/2013	Nordwall
8,517,205	B2	8/2013	Thelen
8,544,381	B2	10/2013	Cartigny et al.
8,546,731	B2	10/2013	Pellerin et al.
8,561,525	B2	10/2013	Bauchot et al.
D693,643	S	11/2013	Moon et al.
8,578,293	B2	11/2013	Breunig et al.
8,581,137	B2	11/2013	Egenter
8,618,447	B2	12/2013	De'Longhi
8,637,797	B2	1/2014	Imura
D699,514	S	2/2014	Lovley, II et al.
8,640,908	B2	2/2014	Yang et al.
8,674,270	B2	3/2014	Anderson et al.
8,689,680	B2	4/2014	Park
8,709,905	B2	4/2014	Crayfound
D703,993	S	5/2014	Garman
8,714,391	B2	5/2014	Milanesi
8,726,792	B2	5/2014	Shealy et al.
8,733,574	B2	5/2014	Heidrich et al.
D707,078	S	6/2014	Rivera et al.
8,739,690	B2	6/2014	Chameroy et al.
8,747,933	B1	6/2014	McGinn
8,766,144	B2	7/2014	McLoughlin et al.

(56)

References Cited

U.S. PATENT DOCUMENTS

8,777,038 B2	7/2014	Wen	9,648,985 B2	5/2017	Huang et al.
8,783,498 B2	7/2014	Li	9,681,770 B2	6/2017	Backaert et al.
8,783,947 B2	7/2014	Ferron et al.	9,681,773 B2	6/2017	McKee et al.
D710,647 S	8/2014	Mandil et al.	9,706,871 B2	7/2017	Matthijs
8,800,803 B2	8/2014	Stellwag	9,717,364 B2	8/2017	Sladeczek
8,808,772 B2	8/2014	Lubrina et al.	9,737,936 B2	8/2017	Linglin et al.
8,813,989 B2	8/2014	Hoffmann et al.	9,750,089 B2	8/2017	Wiedemann et al.
8,820,220 B2	9/2014	Thelen et al.	D797,492 S	9/2017	Shieh
8,847,129 B2	9/2014	Kim et al.	9,756,980 B1	9/2017	Li et al.
8,869,829 B2	10/2014	Hasegawa	9,763,531 B2	9/2017	Baraille et al.
8,887,939 B2	11/2014	Chameroy et al.	D801,106 S	10/2017	Mirchandani et al.
D719,398 S	12/2014	Deters	9,775,461 B2	10/2017	Yang et al.
D720,571 S	1/2015	Deters	9,795,250 B2	10/2017	Huang
8,931,402 B2	1/2015	Chameroy et al.	9,801,491 B2	10/2017	Cohade et al.
8,931,659 B2	1/2015	Rhetat et al.	D802,987 S	11/2017	Corlay
8,944,272 B2	2/2015	Chameroy et al.	9,814,355 B2	11/2017	Winter et al.
8,944,273 B2	2/2015	Chameroy et al.	9,841,261 B2	12/2017	Raghavan et al.
D723,323 S	3/2015	Carlson	9,854,932 B2	1/2018	Tiruvallur
8,973,770 B2	3/2015	He et al.	9,854,941 B2	1/2018	Bonaccorso
8,985,372 B2	3/2015	Yang et al.	9,861,231 B2	1/2018	Kim
8,991,307 B2	3/2015	Grozinger et al.	9,867,234 B2	1/2018	Thomann et al.
D727,095 S	4/2015	Bak	9,872,582 B2	1/2018	Song et al.
9,018,566 B2	4/2015	Wang	9,877,610 B2	1/2018	Bucher et al.
D728,301 S	5/2015	Hack	D809,340 S	2/2018	Poon
9,027,468 B2	5/2015	Rhetat et al.	9,883,768 B2	2/2018	Starflinger
9,035,223 B2	5/2015	Noguchi et al.	9,888,811 B2	2/2018	Zwanenburg et al.
9,055,618 B2	6/2015	Bunzel et al.	9,895,028 B2	2/2018	Gerard et al.
9,057,526 B2	6/2015	Barritt	9,900,936 B2	2/2018	Imm et al.
D735,520 S	8/2015	Mandil	9,909,764 B2	3/2018	Bach
D737,623 S	9/2015	Hu et al.	9,924,830 B1	3/2018	Glucksman et al.
D738,676 S	9/2015	Accoceberry	D814,232 S	4/2018	Barquin et al.
9,119,501 B2	9/2015	Xie	D815,491 S	4/2018	Hollinger
9,125,513 B2	9/2015	Kim	9,930,990 B1	4/2018	Gupta et al.
9,138,106 B2	9/2015	Walker	D817,658 S	5/2018	Cute
D743,201 S	11/2015	Aderka	D817,697 S	5/2018	Zhao
9,177,460 B2	11/2015	Fissler	9,961,721 B2	5/2018	Guilleminot et al.
9,191,998 B2	11/2015	Hegedis et al.	9,962,029 B2	5/2018	Baraille et al.
9,220,362 B2	12/2015	Eades et al.	9,980,605 B2	5/2018	De Haas et al.
9,237,829 B2	1/2016	Alet Vidal et al.	D820,631 S *	6/2018	Ye D7/357
D749,906 S	2/2016	Lee	D821,140 S	6/2018	Mirchandani et al.
D750,421 S	3/2016	Ho	D821,805 S	7/2018	Lee
9,271,595 B2	3/2016	Lee	10,016,085 B2	7/2018	Sapire
9,295,354 B2	3/2016	Slout et al.	10,021,889 B2	7/2018	Vinett
D754,469 S	4/2016	Deters	10,034,578 B2	7/2018	Ahmed
9,301,644 B2	4/2016	Payen et al.	D824,717 S	8/2018	Allen
9,314,134 B2	4/2016	Molnar	D826,638 S	8/2018	Zhang
9,320,381 B2	4/2016	Chameroy et al.	10,045,651 B2	8/2018	Huang
9,339,145 B1	5/2016	Owczarzak	10,051,986 B2	8/2018	Schultz et al.
9,341,382 B2	5/2016	Kim	10,051,995 B2	8/2018	Buckley et al.
9,351,495 B2	5/2016	McFadden	10,057,946 B2	8/2018	Mills et al.
9,353,954 B2	5/2016	Linnewiel	10,058,210 B2	8/2018	Palermo
9,414,713 B2	8/2016	Jinzhao	10,060,632 B2	8/2018	Lim et al.
9,433,036 B2	8/2016	Kurtimoto et al.	10,064,518 B2	9/2018	Xiao et al.
9,439,530 B2	9/2016	Logan et al.	10,076,206 B2	9/2018	Chameroy et al.
D769,058 S	10/2016	Lee	D832,023 S	10/2018	Barberi et al.
9,456,713 B2	10/2016	Backaert et al.	D832,030 S	10/2018	Veldeman
9,470,423 B2	10/2016	Jacob et al.	10,088,371 B2	10/2018	Kaiser et al.
9,474,412 B2	10/2016	Fung et al.	D833,202 S *	11/2018	Yang D7/358
D770,221 S	11/2016	Lee	D833,204 S	11/2018	Lee
D772,648 S	11/2016	Palermo	10,117,546 B2	11/2018	Le Grand
9,480,364 B2	11/2016	McKee et al.	10,123,656 B2	11/2018	Shanmugam
D774,350 S	12/2016	Mandil	10,130,205 B2	11/2018	Fung et al.
D774,356 S	12/2016	Maiorana et al.	D834,889 S	12/2018	Moon et al.
9,526,367 B2	12/2016	Anota et al.	10,154,750 B2	12/2018	Allemand et al.
9,585,509 B2	3/2017	Wassmus et al.	D838,535 S	1/2019	Garman
9,596,954 B2	3/2017	Park	D838,548 S	1/2019	Schutte
D784,076 S	4/2017	Constantieux	D842,649 S	3/2019	Mishan
9,615,691 B2	4/2017	Xiao	10,231,565 B2	3/2019	Song et al.
9,615,692 B2	4/2017	Hoffmann et al.	D845,072 S	4/2019	Colston et al.
9,615,694 B2	4/2017	Yoshidome	D846,335 S	4/2019	Yang et al.
9,629,499 B2	4/2017	Kim	10,244,883 B2	4/2019	Chameroy et al.
9,629,500 B2	4/2017	Chance	D850,200 S	6/2019	Jiang
9,636,618 B2	5/2017	Fung et al.	D853,173 S *	7/2019	Bucklew D7/357
9,642,487 B1	5/2017	McGinn	10,390,656 B2 *	8/2019	Gill A47J 43/0772
9,648,975 B2	5/2017	Imura	D883,014 S *	5/2020	Varjabedian D7/354
			D883,015 S *	5/2020	Deng D7/354
			D883,017 S *	5/2020	Deng D7/354
			2002/0179587 A1	12/2002	Hui
			2002/0185012 A1	12/2002	Yokoyama

(56)

References Cited

U.S. PATENT DOCUMENTS

2003/0034027	A1	2/2003	Yamamoto et al.	2013/0104875	A1	5/2013	Schultz et al.	
2003/0127447	A1	7/2003	Lin	2013/0180413	A1	7/2013	Tjerkgaast et al.	
2004/0035845	A1	2/2004	Moon et al.	2013/0180986	A1	7/2013	He et al.	
2004/0045446	A1	3/2004	Park	2013/0196038	A1	8/2013	Liu	
2004/0055474	A1	3/2004	Lekic et al.	2013/0255509	A1	10/2013	He et al.	
2004/0124197	A1	7/2004	Hasegawa	2013/0276643	A1	10/2013	Krolick et al.	
2004/0222208	A1	11/2004	Ko	2013/0298781	A1	11/2013	Ganuza et al.	
2005/0011370	A1	1/2005	Xu et al.	2013/0305933	A1	11/2013	Heidrich et al.	
2005/0034716	A1	2/2005	Harbin	2013/0333685	A1	12/2013	Jeong et al.	
2005/0089318	A1	4/2005	Lai et al.	2014/0021191	A1*	1/2014	Moon	F26B 9/003 219/392
2005/0223906	A1	10/2005	Xu	2014/0083306	A1	3/2014	Lee	
2005/0284305	A1	12/2005	Angue	2014/0083992	A1	3/2014	Linnewiel	
2006/0061235	A1	4/2006	Lundh et al.	2014/0102315	A1	4/2014	Park	
2007/0045284	A1	3/2007	Balk et al.	2014/0157994	A1	6/2014	Ryan et al.	
2007/0095215	A1	5/2007	Ho et al.	2014/0175085	A1	6/2014	Yang et al.	
2007/0125768	A1	6/2007	Kim et al.	2014/0199459	A1	7/2014	Jackson et al.	
2007/0158335	A1	7/2007	Mansbery	2014/0201688	A1	7/2014	Guilleminot et al.	
2007/0199557	A1	8/2007	Von Kaenel, Jr.	2014/0220196	A1	8/2014	Veloo	
2007/0295221	A1	12/2007	Seurat Guiochet et al.	2014/0227401	A1*	8/2014	Kounlavong	A47J 27/09 426/231
2008/0022861	A1	1/2008	Ferron	2014/0227411	A1	8/2014	Popeil et al.	
2008/0078371	A1	4/2008	Boscaino	2014/0245898	A1	9/2014	Froza	
2008/0078755	A1	4/2008	Jeon et al.	2014/0251158	A1	9/2014	Yang et al.	
2008/0083730	A1	4/2008	Dolgov et al.	2014/0318385	A1	10/2014	Kim	
2008/0095905	A1	4/2008	Sells et al.	2014/0318386	A1	10/2014	Kim	
2008/0099008	A1	5/2008	Bolton et al.	2014/0318387	A1	10/2014	Kim	
2008/0105137	A1	5/2008	Genslak et al.	2014/0318388	A1	10/2014	Kim	
2008/0142498	A1	6/2008	He et al.	2014/0318389	A1	10/2014	Kim	
2008/0163764	A1	7/2008	Payen et al.	2014/0322417	A1	10/2014	Kim	
2008/0206420	A1	8/2008	McFadden	2014/0348987	A1	11/2014	Cheng et al.	
2008/0213447	A1	9/2008	Payen et al.	2014/0353316	A1*	12/2014	Lin	A47J 36/08 220/573.1
2008/0216671	A1	9/2008	Chen	2014/0360384	A1	12/2014	Kim	
2008/0223224	A1	9/2008	Martin	2014/0366746	A1	12/2014	Tsai	
2008/0290090	A1	11/2008	Kindler et al.	2014/0370176	A1	12/2014	Imura et al.	
2008/0314258	A1	12/2008	Martin	2014/0377417	A1	12/2014	Martinez	
2009/0011101	A1	1/2009	Doherty et al.	2015/0000535	A1	1/2015	Yoshidome et al.	
2009/0013988	A1	1/2009	Kim et al.	2015/0020693	A1*	1/2015	French	A47J 27/13 99/340
2009/0064868	A1	3/2009	Cartossi	2015/0040775	A1	2/2015	Shieh	
2009/0095166	A1	4/2009	Jian	2015/0083107	A1	3/2015	Busch et al.	
2009/0134140	A1	5/2009	Vern Der Weij	2015/0122137	A1	5/2015	Chang	
2009/0223380	A1	9/2009	Van Aken	2015/0136769	A1	5/2015	Quinn et al.	
2009/0223386	A1	9/2009	Edwards	2015/0201788	A1	7/2015	Douma et al.	
2009/0250452	A1	10/2009	Tse	2015/0201806	A1	7/2015	Yoshidome	
2010/0089248	A1	4/2010	Jones	2015/0208845	A1	7/2015	Robbins et al.	
2010/0136194	A1	6/2010	Schutte	2015/0208858	A1	7/2015	Robbins et al.	
2010/0147159	A1	6/2010	Fossati	2015/0223627	A1	8/2015	Li et al.	
2010/0147824	A1	6/2010	Bonuso et al.	2015/0226438	A1	8/2015	Ozyurt et al.	
2010/0206289	A1	8/2010	Larsen et al.	2015/0250187	A1	9/2015	Sakane et al.	
2010/0282097	A1	11/2010	Schulte	2015/0257208	A1	9/2015	Li et al.	
2011/0003048	A1	1/2011	Sugimoto et al.	2015/0292750	A1	10/2015	Delrue et al.	
2011/0095015	A1	4/2011	Kao	2015/0305093	A1	10/2015	Smith et al.	
2011/0168158	A1	4/2011	Barkhouse	2015/0313399	A1	11/2015	Park	
2011/0120319	A1	5/2011	Chang	2015/0351578	A1	12/2015	Song et al.	
2011/0126719	A1	6/2011	Valance	2015/0366402	A1	12/2015	Wu et al.	
2011/0146653	A1	6/2011	Kitatani	2016/0007644	A1	1/2016	Hack et al.	
2011/0147376	A1	6/2011	Ueda et al.	2016/0007789	A1	1/2016	Tiruvallur	
2011/0248020	A1	10/2011	Yuan	2016/0029829	A1	2/2016	Klein	
2011/0268153	A1	11/2011	He et al.	2016/0033141	A1	2/2016	Rizzuto	
2012/0003364	A1	1/2012	Kling et al.	2016/0037955	A1	2/2016	Kim	
2012/0009317	A1	1/2012	McLemore	2016/0045067	A1	2/2016	Liao	
2012/0012584	A1	1/2012	Chameroy et al.	2016/0051077	A1	2/2016	Sloot et al.	
2012/0024164	A1	2/2012	Park et al.	2016/0051078	A1	2/2016	Jenkins et al.	
2012/0024169	A1	2/2012	Hsu	2016/0051086	A1	2/2016	De Longhi	
2012/0040067	A1	2/2012	Baraille et al.	2016/0081509	A1	3/2016	Delrue et al.	
2012/0048843	A1	3/2012	Feng et al.	2016/0100707	A1	4/2016	Huang	
2012/0125313	A1	5/2012	Van Der Weij	2016/0100713	A1	4/2016	De Haas et al.	
2012/0174797	A1	7/2012	Froza	2016/0113442	A1	4/2016	De Haas et al.	
2012/0181363	A1	7/2012	Huang	2016/0120363	A1	5/2016	Zwanenburg et al.	
2012/0192726	A1	8/2012	Clearman et al.	2016/0120364	A1	5/2016	De Haas et al.	
2012/0217236	A1	8/2012	Takagi	2016/0123660	A1	5/2016	Peng	
2012/0217252	A1	8/2012	Jung	2016/0165676	A1	6/2016	Imm et al.	
2012/0222665	A1	9/2012	Ahmed	2016/0174749	A1	6/2016	Eades et al.	
2012/0318149	A1	12/2012	Ahmed	2016/0174764	A1	6/2016	Xiao	
2013/0019759	A1	1/2013	Tumenbatur et al.	2016/0174771	A1	6/2016	Benoit et al.	
2013/0074702	A1	3/2013	Difante	2016/0183722	A1	6/2016	Fisher	
2013/0092145	A1	4/2013	Murphy et al.	2016/0206139	A1	6/2016	Johnson	

(56)

References Cited

U.S. PATENT DOCUMENTS

2016/0206140 A1 6/2016 Johnson et al.
 2016/0192808 A1 7/2016 Van Der Burg et al.
 2016/0198882 A1 7/2016 Linglin
 2016/0198883 A1 7/2016 Wang et al.
 2016/0206131 A1 7/2016 Chien
 2016/0219653 A1 7/2016 Kim et al.
 2016/0220057 A1 8/2016 Smith et al.
 2016/0235078 A1 8/2016 Farina et al.
 2016/0235239 A1 8/2016 Patadia
 2016/0253080 A1 9/2016 Ban et al.
 2016/0270596 A1 9/2016 Allemand et al.
 2016/0278563 A1 9/2016 Choudhary
 2016/0278565 A1 9/2016 Chameroy et al.
 2016/0281994 A1 9/2016 Nuessler
 2016/0309956 A1 10/2016 Glucksman
 2016/0316525 A1 10/2016 Vainionpaa
 2016/0316968 A1 11/2016 Linglin
 2016/0324359 A1 11/2016 Aboujassoum et al.
 2016/0327280 A1 11/2016 Smith et al.
 2016/0345766 A1 12/2016 Sapire
 2016/0353913 A1 12/2016 Chameroy et al.
 2016/0353914 A1 12/2016 Chameroy et al.
 2016/0353915 A1 12/2016 Chameroy et al.
 2016/0353916 A1 12/2016 Chameroy et al.
 2016/0360922 A1 12/2016 Xiao et al.
 2016/0367061 A1 12/2016 Chou
 2016/0374510 A1 12/2016 Albizuri Landazabal
 2017/0000293 A1 1/2017 Sladeczek et al.
 2017/0020334 A1 1/2017 Sorenson et al.
 2017/0055770 A1 3/2017 Case
 2017/0065127 A1 3/2017 Bonaccorso
 2017/0071034 A1 3/2017 Metz
 2017/0079475 A1 3/2017 Buckley et al.
 2017/0089590 A1 3/2017 Bruin-Slot et al.
 2017/0099977 A1* 4/2017 Liu A47J 27/62
 2017/0099984 A1 4/2017 Koetz
 2017/0099990 A1 4/2017 Magnouloux et al.
 2017/0099995 A1 4/2017 Magnouloux
 2017/0119192 A1 5/2017 Sanserverino
 2017/0172335 A1 6/2017 Colas et al.
 2017/0181564 A1 6/2017 He et al.
 2017/0199658 A1 7/2017 Stoufer et al.
 2017/0231415 A1 8/2017 Cheng et al.
 2017/0231430 A1 8/2017 Moon et al.
 2017/0245674 A1 8/2017 Imura
 2017/0245683 A1 8/2017 Chen et al.
 2017/0245686 A1 8/2017 Man
 2017/0251872 A1 9/2017 Li et al.
 2017/0251874 A1 9/2017 Sladeczek
 2017/0280914 A1 10/2017 Kumar et al.
 2017/0290452 A1* 10/2017 Guillaume A47J 27/0806
 2017/0295993 A1 10/2017 Li et al.
 2017/0303740 A1 10/2017 Bonaccorso
 2017/0332823 A1 11/2017 Sanseverino
 2017/0360238 A1 12/2017 Bogazzi
 2017/0360254 A1 12/2017 Muhr et al.
 2017/0360255 A1 12/2017 Karau
 2017/0367514 A1 12/2017 In 'T Groen et al.
 2017/0370595 A1 12/2017 Yang et al.
 2018/0000285 A1 1/2018 Backus et al.
 2018/0007738 A1 1/2018 Knappenberger et al.
 2018/0007744 A1 1/2018 Nonaka et al.
 2018/0028017 A1 2/2018 Wu
 2018/0035698 A1 2/2018 McNerney et al.
 2018/0073739 A1 3/2018 Dumenil
 2018/0078089 A1 3/2018 Sauer et al.
 2018/0103796 A1 4/2018 Park
 2018/0110355 A1 4/2018 Huang et al.
 2018/0116264 A1 5/2018 De Winter et al.
 2018/0116438 A1 5/2018 He et al.
 2018/0125293 A1 5/2018 McNerney et al.
 2018/0125294 A1 5/2018 Conte et al.
 2018/0140126 A1 5/2018 Van Dillen
 2018/0143086 A1 5/2018 Stoufer et al.
 2018/0153329 A1 6/2018 Glucksman et al.

2018/0160840 A1 6/2018 De' Longhi
 2018/0160849 A1 6/2018 Hebert, Jr. et al.
 2018/0177322 A1 6/2018 Kim
 2018/0177343 A1 6/2018 Bonaccorso
 2018/0184843 A1 7/2018 Kim et al.
 2018/0184848 A1 7/2018 De' Longhi
 2018/0192825 A1 7/2018 Popeil et al.
 2018/0199756 A1 7/2018 Huang
 2018/0206672 A1 7/2018 Grace et al.
 2018/0206677 A1 7/2018 Ivarsson et al.
 2018/0220498 A1 8/2018 Jeon et al.
 2018/0220842 A1 8/2018 Delrue et al.
 2018/0228318 A1 8/2018 Zwanenburg et al.
 2018/0238560 A1 8/2018 Deng et al.
 2018/0255967 A1 9/2018 Haas et al.
 2018/0255971 A1 9/2018 Moon et al.
 2018/0263084 A1 9/2018 Yoshino et al.
 2018/0266697 A1 9/2018 Dash et al.
 2018/0271321 A1 9/2018 Delrue et al.
 2018/0271323 A1 9/2018 Zhang et al.
 2018/0279832 A1 10/2018 Ohta et al.
 2018/0289212 A1 10/2018 Sladeczek et al.
 2018/0296019 A1 10/2018 Kim et al.
 2018/0303285 A1 10/2018 Cheng
 2018/0317691 A1 11/2018 Huang
 2018/0317692 A1 11/2018 Huang
 2018/0317693 A1 11/2018 Huang
 2018/0325313 A1 11/2018 De'Longhi et al.
 2018/0325318 A1 11/2018 De Longhi et al.
 2018/0325322 A1 11/2018 De'Longhi et al.
 2018/0333004 A1 11/2018 DeLonghi
 2018/0333005 A1 11/2018 Fritz et al.
 2018/0344085 A1 12/2018 Dutter
 2018/0347829 A1 12/2018 Martini et al.
 2018/0353007 A1 12/2018 Eberhart et al.
 2018/0353010 A1 12/2018 Delrue et al.
 2018/0359823 A1 12/2018 Shin et al.
 2019/0000267 A1 1/2019 Li et al.
 2019/0008316 A1 1/2019 Kim et al.
 2019/0021142 A1 1/2019 Mizuta et al.
 2019/0045964 A1 2/2019 Gill et al.
 2019/0045973 A1 2/2019 Gill et al.
 2019/0053521 A1 2/2019 Tian et al.
 2019/0059647 A1 2/2019 Floessholzer
 2019/0069719 A1 3/2019 Huang et al.
 2019/0082876 A1 3/2019 Shi et al.
 2020/0093329 A1 3/2020 Glucksman

FOREIGN PATENT DOCUMENTS

CN 2389593 Y 8/2000
 CN 2450993 Y 10/2001
 CN 2469839 Y 1/2002
 CN 2479871 Y 3/2002
 CN 1139352 C 2/2004
 CN 1145142 C 5/2004
 CN 1158963 C 7/2004
 CN 2719176 Y 8/2005
 CN 1883351 A 12/2006
 CN 2855256 Y 1/2007
 CN 2904903 Y 5/2007
 CN 1981682 A 6/2007
 CN 1985727 A 6/2007
 CN 1989884 A 7/2007
 CN 100998476 A 7/2007
 CN 101023842 A 8/2007
 CN 101053485 A 10/2007
 CN 200987595 Y 12/2007
 CN 101099635 A 1/2008
 CN 101108064 A 1/2008
 CN 101112291 A 1/2008
 CN 101112292 A 1/2008
 CN 101112293 A 1/2008
 CN 101142448 A 3/2008
 CN 101185556 A 5/2008
 CN 100401957 C 7/2008
 CN 101209179 A 7/2008
 CN 101209180 A 7/2008
 CN 201079267 Y 7/2008

(56)

References Cited

FOREIGN PATENT DOCUMENTS

CN	100425186	C	10/2008	CN	203122175	U	8/2013
CN	100428906	C	10/2008	CN	103299132	A	9/2013
CN	101273834	A	10/2008	CN	203195497	U	9/2013
CN	201139427	Y	10/2008	CN	203195499	U	9/2013
CN	101322614	A	12/2008	CN	103375826	A	10/2013
CN	201197609	Y	2/2009	CN	203234602	U	10/2013
CN	100464682	C	3/2009	CN	203234613	U	10/2013
CN	100469289	C	3/2009	CN	102319018	B	11/2013
CN	201207144	Y	3/2009	CN	203302862	U	11/2013
CN	101432608	A	5/2009	CN	103445669	A	12/2013
CN	101438929	A	5/2009	CN	102397005	B	1/2014
CN	100496350	C	6/2009	CN	103491830	A	1/2014
CN	100522018	C	8/2009	CN	203407931	U	1/2014
CN	100531628	C	8/2009	CN	103649643	A	3/2014
CN	100534363	C	9/2009	CN	103750730	A	4/2014
CN	101518409	A	9/2009	CN	203539138	U	4/2014
CN	100559999	C	11/2009	CN	203597772	U	5/2014
CN	201365839	Y	12/2009	CN	203615383	U	5/2014
CN	100588351	C	2/2010	CN	203634023	U	6/2014
CN	101669761	A	3/2010	CN	203647141	U	6/2014
CN	101766443	A	7/2010	CN	203662545	U	6/2014
CN	101791190	A	8/2010	CN	103892696	A	7/2014
CN	101828856	A	9/2010	CN	103948308	A	7/2014
CN	101856086	A	10/2010	CN	203693372	U	7/2014
CN	201602600	U	10/2010	CN	203723888	U	7/2014
CN	201624512	U	11/2010	CN	104000478	A	8/2014
CN	101936550	A	1/2011	CN	203762926	U	8/2014
CN	101940273	A	1/2011	CN	203776718	U	8/2014
CN	101420893	B	2/2011	CN	203776719	U	8/2014
CN	101977536	A	2/2011	CN	203776729	U	8/2014
CN	201888709	U	7/2011	CN	203828675	U	9/2014
CN	201929758	U	8/2011	CN	203873602	U	10/2014
CN	201948771	U	8/2011	CN	203885286	U	10/2014
CN	102178445	A	9/2011	CN	203953373	U	11/2014
CN	102178464	A	9/2011	CN	203970073	U	12/2014
CN	201958652	U	9/2011	CN	203970160	U	12/2014
CN	101305890	B	11/2011	CN	203987492	U	12/2014
CN	102240164	A	11/2011	CN	203987520	U	12/2014
CN	102307500	A	1/2012	CN	203987550	U	12/2014
CN	102313306	A	2/2012	CN	203987551	U	12/2014
CN	102349791	A	2/2012	CN	204016055	U	12/2014
CN	202151310	U	2/2012	CN	204016056	U	12/2014
CN	102368936	A	3/2012	CN	204049362	U	12/2014
CN	202184614	U	4/2012	CN	204091768	U	1/2015
CN	101692958	B	5/2012	CN	104323708	A	2/2015
CN	202207075	U	5/2012	CN	104367182	A	2/2015
CN	202234720	U	5/2012	CN	204133165	U	2/2015
CN	202234761	U	5/2012	CN	204133291	U	2/2015
CN	202312886	U	7/2012	CN	204158183	U	2/2015
CN	102670079	A	9/2012	CN	104433841	A	3/2015
CN	202408428	U	9/2012	CN	204192406	U	3/2015
CN	202408455	U	9/2012	CN	104490294	A	4/2015
CN	102755120	A	10/2012	CN	102917623	B	5/2015
CN	102824120	A	12/2012	CN	104613515	A	5/2015
CN	202619362	U	12/2012	CN	104622274	A	5/2015
CN	102100481	B	1/2013	CN	104676681	A	6/2015
CN	102883641	A	1/2013	CN	104688019	A	6/2015
CN	202636678	U	1/2013	CN	104706212	A	6/2015
CN	103006045	A	4/2013	CN	104754992	A	7/2015
CN	103006092	A	4/2013	CN	104757872	A	7/2015
CN	202858889	U	4/2013	CN	104814665	A	8/2015
CN	103142128	A	6/2013	CN	104856561	A	8/2015
CN	103142151	A	6/2013	CN	104856563	A	8/2015
CN	103169371	A	6/2013	CN	204580991	U	8/2015
CN	103179884	A	6/2013	CN	104873098	A	9/2015
CN	202960194	U	6/2013	CN	104887063	A	9/2015
CN	202981682	U	6/2013	CN	204636063	U	9/2015
CN	203000535	U	6/2013	CN	104983318	A	10/2015
CN	103188947	A	7/2013	CN	104997394	A	10/2015
CN	103188970	A	7/2013	CN	204697804	U	10/2015
CN	103220947	A	7/2013	CN	105011741	A	11/2015
CN	103222807	A	7/2013	CN	105030035	A	11/2015
CN	203041954	U	7/2013	CN	105054772	B	11/2015
CN	203041955	U	7/2013	CN	105054773	B	11/2015
CN	102342739	B	8/2013	CN	204734374	U	11/2015
				CN	204743846	U	11/2015
				CN	204765197	U	11/2015
				CN	204797615	U	11/2015
				CN	204797616	U	11/2015

(56)

References Cited

FOREIGN PATENT DOCUMENTS

CN	103813738	B	12/2015	CN	105902150	A	8/2016
CN	105105624	A	12/2015	CN	205410811	U	8/2016
CN	105105626	A	12/2015	CN	205425108	U	8/2016
CN	105167591	B	12/2015	CN	205433281	U	8/2016
CN	105167592	A	12/2015	CN	205433317	U	8/2016
CN	105193301	A	12/2015	CN	205433320	U	8/2016
CN	204839219	U	12/2015	CN	105919411	A	9/2016
CN	204889693	U	12/2015	CN	105919417	A	9/2016
CN	105212693	B	1/2016	CN	105935244	A	9/2016
CN	105212730	A	1/2016	CN	105935258	A	9/2016
CN	105231811	A	1/2016	CN	105972653	A	9/2016
CN	105231812	A	1/2016	CN	205568641	U	9/2016
CN	105231813	A	1/2016	CN	205568772	U	9/2016
CN	105266565	A	1/2016	CN	205597052	U	9/2016
CN	105266577	A	1/2016	CN	105982529	A	10/2016
CN	204995259	U	1/2016	CN	105996737	A	10/2016
CN	105286496	A	2/2016	CN	105996752	A	10/2016
CN	105286498	A	2/2016	CN	105996753	A	10/2016
CN	105286627	A	2/2016	CN	106037448	A	10/2016
CN	105326332	A	2/2016	CN	106037457	A	10/2016
CN	105342454	A	2/2016	CN	106037458	A	10/2016
CN	205018878	U	2/2016	CN	106073481	A	11/2016
CN	105380512	A	3/2016	CN	106073517	A	11/2016
CN	105380513	A	3/2016	CN	106108627	A	11/2016
CN	105380514	A	3/2016	CN	106108631	A	11/2016
CN	105411378	A	3/2016	CN	106166030	A	11/2016
CN	105411379	A	3/2016	CN	205671926	U	11/2016
CN	105433778	A	3/2016	CN	205671927	U	11/2016
CN	105433779	A	3/2016	CN	106175412	A	12/2016
CN	105451610	A	3/2016	CN	106175476	A	12/2016
CN	105455628	A	4/2016	CN	106213979	A	12/2016
CN	105455664	A	4/2016	CN	106235878	A	12/2016
CN	105455671	A	4/2016	CN	205831665	U	12/2016
CN	105476461	A	4/2016	CN	106264085	A	1/2017
CN	105476464	A	4/2016	CN	106264095	A	1/2017
CN	105476472	A	4/2016	CN	106343895	A	1/2017
CN	105476491	A	4/2016	CN	205860134	U	1/2017
CN	105496184	A	4/2016	CN	106377158	A	2/2017
CN	105496185	A	4/2016	CN	106377159	A	2/2017
CN	105496224	A	4/2016	CN	106388565	A	2/2017
CN	205126014	U	4/2016	CN	106388572	A	2/2017
CN	105534269	A	5/2016	CN	106419486	A	2/2017
CN	105559571	A	5/2016	CN	106419521	A	2/2017
CN	105595792	A	5/2016	CN	106419524	A	2/2017
CN	105595803	A	5/2016	CN	102805554	B	3/2017
CN	205197727	U	5/2016	CN	106473623	A	3/2017
CN	205214967	U	5/2016	CN	106490967	A	3/2017
CN	205215045	U	5/2016	CN	106510449	A	3/2017
CN	102440681	B	6/2016	CN	206026100	U	3/2017
CN	102783908	B	6/2016	CN	206044349	U	3/2017
CN	103648337	B	6/2016	CN	106551617	A	4/2017
CN	105615638	A	6/2016	CN	106580074	A	4/2017
CN	105615639	A	6/2016	CN	206062888	U	4/2017
CN	105615686	A	6/2016	CN	206102391	U	4/2017
CN	105640299	A	6/2016	CN	206119969	U	4/2017
CN	105640302	A	6/2016	CN	106618154	A	5/2017
CN	105640309	A	6/2016	CN	106667244	A	5/2017
CN	105640351	A	6/2016	CN	106691171	A	5/2017
CN	105662112	A	6/2016	CN	206166726	U	5/2017
CN	105662125	A	6/2016	CN	106805744	A	6/2017
CN	105662126	A	6/2016	CN	106805746	A	6/2017
CN	105662127	A	6/2016	CN	106805747	A	6/2017
CN	105708312	A	6/2016	CN	106805749	A	6/2017
CN	205322075	U	6/2016	CN	106805750	A	6/2017
CN	104605727	B	7/2016	CN	106805752	A	6/2017
CN	105725730	A	7/2016	CN	106820951	A	6/2017
CN	105725829	A	7/2016	CN	106820954	A	6/2017
CN	105768859	A	7/2016	CN	106821017	A	6/2017
CN	105768860	A	7/2016	CN	106852641	A	6/2017
CN	103908166	B	8/2016	CN	106859298	A	6/2017
CN	105816023	A	8/2016	CN	106913201	A	7/2017
CN	105832176	A	8/2016	CN	106923655	A	7/2017
CN	105852667	A	8/2016	CN	106943000	A	7/2017
CN	105852668	A	8/2016	CN	106943002	A	7/2017
CN	105902144	A	8/2016	CN	106955017	A	7/2017
				CN	106974548	A	7/2017
				CN	106983360	A	7/2017
				CN	107019418	A	8/2017
				CN	107019419	A	8/2017

(56)

References Cited

FOREIGN PATENT DOCUMENTS

CN	107019420	A	8/2017	CN	107822492	A	3/2018
CN	107019423	A	8/2017	CN	107822494	A	3/2018
CN	107048976	A	8/2017	CN	107822496	A	3/2018
CN	107048991	A	8/2017	CN	107836981	A	3/2018
CN	107048993	A	8/2017	CN	107836986	A	3/2018
CN	107105914	A	8/2017	CN	107836988	A	3/2018
CN	104334066	B	9/2017	CN	207084680	U	3/2018
CN	107136910	A	9/2017	CN	107874584	A	4/2018
CN	107136911	A	9/2017	CN	107874599	A	4/2018
CN	107149395	A	9/2017	CN	107874601	A	4/2018
CN	107149398	A	9/2017	CN	107874602	A	4/2018
CN	105142473	B	10/2017	CN	107896351	A	4/2018
CN	107224188	A	10/2017	CN	107928388	A	4/2018
CN	107224197	A	10/2017	CN	107928395	A	4/2018
CN	107232962	A	10/2017	CN	107951369	A	4/2018
CN	107259978	A	10/2017	CN	107951376	A	4/2018
CN	107290094	A	10/2017	CN	107951407	A	4/2018
CN	107296485	A	10/2017	CN	107969907	A	5/2018
CN	107296486	A	10/2017	CN	107969908	A	5/2018
CN	107296487	A	10/2017	CN	107981713	A	5/2018
CN	107296488	A	10/2017	CN	107997571	A	5/2018
CN	107296489	A	10/2017	CN	108013742	A	5/2018
CN	107296490	A	10/2017	CN	108013743	A	5/2018
CN	107296493	A	10/2017	CN	108030404	A	5/2018
CN	107296494	A	10/2017	CN	108041976	A	5/2018
CN	104643954	B	11/2017	CN	108095570	A	6/2018
CN	107307729	A	11/2017	CN	108113501	A	6/2018
CN	107307730	A	11/2017	CN	108143256	A	6/2018
CN	107361637	A	11/2017	CN	108143259	A	6/2018
CN	107397431	A	11/2017	CN	108143260	A	6/2018
CN	107411540	A	12/2017	CN	108143261	A	6/2018
CN	107440490	A	12/2017	CN	108143262	A	6/2018
CN	107468052	A	12/2017	CN	108143263	A	6/2018
CN	107495849	A	12/2017	CN	108143264	A	6/2018
CN	107495856	A	12/2017	CN	108158429	A	6/2018
CN	107510356	A	12/2017	CN	108209547	A	6/2018
CN	107510379	A	12/2017	CN	104207651	B	7/2018
CN	206687606	U	12/2017	CN	106175423	A	7/2018
CN	106213986	B	1/2018	CN	108244994	A	7/2018
CN	107550258	A	1/2018	CN	108244995	A	7/2018
CN	107616686	A	1/2018	CN	108244997	A	7/2018
CN	107647763	A	2/2018	CN	108244998	A	7/2018
CN	107647769	A	2/2018	CN	108244999	A	7/2018
CN	107647771	A	2/2018	CN	108245000	A	7/2018
CN	107647772	A	2/2018	CN	108261055	A	7/2018
CN	107647777	A	2/2018	CN	108261056	A	7/2018
CN	107660996	A	2/2018	CN	108261061	A	7/2018
CN	107660997	A	2/2018	CN	108272336	A	7/2018
CN	107684336	A	2/2018	CN	108272338	A	7/2018
CN	107684337	A	2/2018	CN	108294616	A	7/2018
CN	107684338	A	2/2018	CN	108309035	A	7/2018
CN	107684339	A	2/2018	CN	108324096	A	7/2018
CN	107684340	A	2/2018	CN	106388570	B	8/2018
CN	107684341	A	2/2018	CN	106419517	B	8/2018
CN	107684342	A	2/2018	CN	108354444	A	8/2018
CN	107692806	A	2/2018	CN	108354466	A	8/2018
CN	107702838	A	2/2018	CN	108378678	A	8/2018
CN	107713732	A	2/2018	CN	108378690	A	8/2018
CN	107713733	A	2/2018	CN	108402888	A	8/2018
CN	107713734	A	2/2018	CN	108402889	A	8/2018
CN	107726388	A	2/2018	CN	108402920	A	8/2018
CN	106419522	B	3/2018	CN	108420304	A	8/2018
CN	107752726	A	3/2018	CN	108433517	A	8/2018
CN	107752748	A	3/2018	CN	108433529	A	8/2018
CN	107752751	A	3/2018	CN	108451351	A	8/2018
CN	107752788	A	3/2018	CN	108451388	A	8/2018
CN	107773021	A	3/2018	CN	108464732	A	8/2018
CN	107773026	A	3/2018	CN	207754989	U	8/2018
CN	107773029	A	3/2018	CN	207755036	U	8/2018
CN	107773090	A	3/2018	CN	106539491	B	9/2018
CN	107788820	A	3/2018	CN	107019415	B	9/2018
CN	107788827	A	3/2018	CN	107019416	B	9/2018
CN	107811499	A	3/2018	CN	108477987	A	9/2018
CN	107811517	A	3/2018	CN	108497908	A	9/2018
CN	107811518	A	3/2018	CN	108497914	A	9/2018
				CN	108497918	A	9/2018
				CN	108497942	A	9/2018
				CN	108523647	A	9/2018
				CN	108523649	A	9/2018

(56)

References Cited

FOREIGN PATENT DOCUMENTS

CN	108552969	A	9/2018	CN	106724784	B	1/2019
CN	108552989	A	9/2018	CN	106820956	B	1/2019
CN	108567309	A	9/2018	CN	106820957	B	1/2019
CN	108567321	A	9/2018	CN	107019417	B	1/2019
CN	108567322	A	9/2018	CN	109247837	A	1/2019
CN	108577514	A	9/2018	CN	106388566	B	3/2019
CN	106264094	B	10/2018	CN	107174116	B	3/2019
CN	108606627	A	10/2018	CN	107174117	B	3/2019
CN	108618592	A	10/2018	CN	109393957	A	3/2019
CN	108618593	A	10/2018	CN	105640308	A	6/2019
CN	108618594	A	10/2018	EP	1767860	A1	3/2007
CN	108618595	A	10/2018	JP	2014200627	A	10/2014
CN	108618597	A	10/2018	JP	2014204770	A	10/2014
CN	108618651	A	10/2018	WO	8911773	A1	11/1989
CN	108634771	A	10/2018	WO	9837796	A1	9/1998
CN	108634777	A	10/2018	WO	9952328	A1	10/1999
CN	108634807	A	10/2018	WO	0044096		7/2000
CN	108652431	A	10/2018	WO	0049839	A1	8/2000
CN	108652432	A	10/2018	WO	2006122643	A1	11/2006
CN	108670021	A	10/2018	WO	2009043812	A1	4/2009
CN	108670023	A	10/2018	WO	2015006891	A1	1/2015
CN	108703644	A	10/2018	WO	2015028940	A1	3/2015
CN	108703645	A	10/2018	WO	2015081549	A1	6/2015
CN	108703675	A	10/2018	WO	2016007002	A1	1/2016
CN	106580073	B	11/2018	WO	2016028549	A1	2/2016
CN	108720548	A	11/2018	WO	2016091063	A1	6/2016
CN	108720577	A	11/2018	WO	2016141009	A1	9/2016
CN	108720581	A	11/2018	WO	2016148492	A1	9/2016
CN	108720584	A	11/2018	WO	2016154114	A1	9/2016
CN	108720585	A	11/2018	WO	2016165198	A1	10/2016
CN	108720586	A	11/2018	WO	2016171385	A1	10/2016
CN	108720633	A	11/2018	WO	2016182975	A1	11/2016
CN	108732958	A	11/2018	WO	2016189440		12/2016
CN	108771466	A	11/2018	WO	2016193008	A1	12/2016
CN	108784323	A	11/2018	WO	2016193643	A1	12/2016
CN	108784324	A	11/2018	WO	2017005533	A1	1/2017
CN	108784330	A	11/2018	WO	2017039091	A1	3/2017
CN	108784401	A	11/2018	WO	2017045387	A1	3/2017
CN	108814274	A	11/2018	WO	2017049635	A1	3/2017
CN	108836104	A	11/2018	WO	2017049717	A1	3/2017
CN	108836105	A	11/2018	WO	2017050693	A2	3/2017
CN	108836107	A	11/2018	WO	2017063872	A1	4/2017
CN	108836108	A	11/2018	WO	2017072068	A1	5/2017
CN	108836131	A	11/2018	WO	2017074119	A1	5/2017
CN	108851966	A	11/2018	WO	2017076797	A1	5/2017
CN	108851969	A	11/2018	WO	2017081420	A1	5/2017
CN	108888087	A	11/2018	WO	2017085026	A1	5/2017
CN	108888099	A	11/2018	WO	2017085671	A1	5/2017
CN	108903620	A	11/2018	WO	2017085673	A1	5/2017
CN	108903621	A	11/2018	WO	2017086543	A1	5/2017
CN	106419520	B	12/2018	WO	2017092062	A1	6/2017
CN	106419526	B	12/2018	WO	2017092063	A1	6/2017
CN	108926239	A	12/2018	WO	2017094968	A1	6/2017
CN	108926249	A	12/2018	WO	2017097790	A1	6/2017
CN	108937520	A	12/2018	WO	2017104892	A1	6/2017
CN	108937525	A	12/2018	WO	2017104894	A1	6/2017
CN	108937556	A	12/2018	WO	2017104895	A1	6/2017
CN	108937558	A	12/2018	WO	2017104896	A1	6/2017
CN	108937559	A	12/2018	WO	2017104898	A1	6/2017
CN	108937560	A	12/2018	WO	2017104900	A1	6/2017
CN	108955959	A	12/2018	WO	2017105076	A2	6/2017
CN	108968659	A	12/2018	WO	2017111425	A1	6/2017
CN	108968660	A	12/2018	WO	2017121691	A1	7/2017
CN	108968662	A	12/2018	WO	2017127655	A1	7/2017
CN	108968663	A	12/2018	WO	2017144795	A1	8/2017
CN	108968667	A	12/2018	WO	2017149519	A1	9/2017
CN	108968668	A	12/2018	WO	2017152518	A1	9/2017
CN	108968669	A	12/2018	WO	2017153360	A1	9/2017
CN	108991918	A	12/2018	WO	2017158068	A1	9/2017
CN	108991919	A	12/2018	WO	2017166317	A1	10/2017
CN	109008595	A	12/2018	WO	2017177007	A1	10/2017
CN	109008598	A	12/2018	WO	2017177423	A1	10/2017
CN	208259529	U	12/2018	WO	2017178229	A1	10/2017
CN	106562666	B	1/2019	WO	2017178650	A1	10/2017
CN	106606293	B	1/2019	WO	2017178739	A1	10/2017
				WO	2017179804	A1	10/2017
				WO	2017191377	A1	11/2017
				WO	2017191395	A1	11/2017
				WO	2017195777	A1	11/2017

(56)

References Cited

FOREIGN PATENT DOCUMENTS

WO 2017197482 A1 11/2017
 WO 2017198815 A1 11/2017
 WO 2017198848 A1 11/2017
 WO 2017201530 A1 11/2017
 WO 2017202641 A1 11/2017
 WO 2017209465 A1 12/2017
 WO 2017211045 A1 12/2017
 WO 2017213330 A2 12/2017
 WO 2017213423 A1 12/2017
 WO 2017215926 A1 12/2017
 WO 2017215988 A1 12/2017
 WO 2018004226 A1 1/2018
 WO 2018007218 A1 1/2018
 WO 2018014806 A1 1/2018
 WO 2018015695 A1 1/2018
 WO 2017077571 A1 2/2018
 WO 2018018670 A1 2/2018
 WO 2018023863 A1 2/2018
 WO 2018024781 A1 2/2018
 WO 2018024782 A1 2/2018
 WO 2018024783 A1 2/2018
 WO 2018026041 A1 2/2018
 WO 2018026906 A1 2/2018
 WO 2018026928 A1 2/2018
 WO 2018032540 A1 2/2018
 WO 2018032541 A1 2/2018
 WO 2018032542 A1 2/2018
 WO 2018032589 A1 2/2018
 WO 2018032648 A1 2/2018
 WO 2018037177 A1 3/2018
 WO 2018040250 A1 3/2018
 WO 2018041536 A1 3/2018
 WO 2018045643 A1 3/2018
 WO 2018050520 A1 3/2018
 WO 2018050838 A1 3/2018
 WO 2018058384 A1 4/2018
 WO 2018058569 A1 4/2018
 WO 2018058740 A1 4/2018
 WO 2018059994 A1 4/2018
 WO 2018060260 A1 4/2018
 WO 2018060273 A1 4/2018
 WO 2018060331 A1 4/2018
 WO 2018065424 A1 4/2018
 WO 2018068376 A1 4/2018
 WO 2018068425 A1 4/2018
 WO 2018068976 A1 4/2018
 WO 2018076164 A1 5/2018
 WO 2018076166 A1 5/2018
 WO 2018076415 A1 5/2018
 WO 2018082131 A1 5/2018
 WO 2018090287 A1 5/2018
 WO 2018093004 A1 5/2018
 WO 2018095247 A1 5/2018
 WO 2018095420 A1 5/2018
 WO 2018095949 A1 5/2018
 WO 2018120561 A1 5/2018
 WO 2017104893 A1 6/2018
 WO 2018099233 A1 6/2018
 WO 2018102128 A1 6/2018
 WO 2018107522 A1 6/2018
 WO 2018107973 A1 6/2018
 WO 2018116056 A1 6/2018
 WO 2018116057 A1 6/2018
 WO 2018121166 A1 7/2018
 WO 2018121199 A1 7/2018
 WO 2018133993 A1 7/2018
 WO 2018137832 A1 8/2018
 WO 2018140954 A1 8/2018
 WO 2018147640 A1 8/2018
 WO 2018165698 A1 9/2018
 WO 2018197720 A1 11/2018
 WO 2018207221 A1 11/2018
 WO 2018220659 A1 12/2018

WO 2018223713 A1 12/2018
 WO 2019032876 A1 2/2019
 WO 2019032878 A1 2/2019

OTHER PUBLICATIONS

U.S. Appl. No. 29/733,284, filed Apr. 30, 2020; Non-Final Office Action dated Jun. 25, 2020; 10 pages.
 U.S. Appl. No. 29/653,847, filed Jun. 19, 2018; Restriction Requirement dated May 29, 2020; 7 pages.
 U.S. Appl. No. 29/653,863, filed Jun. 19, 2018; Restriction Requirement dated Jun. 2, 2020; 7 pages.
 U.S. Appl. No. 29/679,923, filed Feb. 11, 2019; Restriction Requirement dated May 13, 2020; 8 pages.
 U.S. Appl. No. 29/679,924, filed Feb. 11, 2019; Restriction Requirement dated May 13, 2020; 8 pages.
 U.S. Appl. No. 29/679,925, filed Feb. 11, 2019; Restriction Requirement dated May 13, 2020; 8 pages.
 U.S. Appl. No. 29/679,922, filed Feb. 11, 2019; Restriction Requirement dated May 13, 2020; 8 pages.
 U.S. Appl. No. 29/659,576, filed Aug. 9, 2018; Restriction Requirement dated May 19, 2020; 8 pages.
 U.S. Appl. No. 29/660,495, filed Aug. 21, 2018; Food Preparation Device and Parts Thereof; Notice of Allowance dated Oct. 25, 2019; pp. 1-9.
 Notification of Transmittal of the International Search Report of the International Searching Authority, or the Declaration. PCT/US2018/046077, dated Dec. 19, 2018, 7 pages.
 Notification of Transmittal of the International Search Report of the International Searching Authority, or the Declaration; PCT/US2018/046079; dated Jan. 2, 2019, 7 pages.
 Notification of Transmittal of the Written Opinion of the International Searching Authority, or the Declaration. PCT/US2018/046077, dated Dec. 19, 2018, 10 pages.
 Notification of Transmittal of the Written Opinion of the International Searching Authority, or the Declaration; PCT/US2018/046079; dated Jan. 2, 2019, 10 pages.
 WO2018122652A1; Jul. 5, 2018; English Abstract Only (3 Pages).
 Gill et al.; Design U.S. Appl. No. 29/653,847, filed Jun. 19, 2018; Air Diffuser and Air Diffuser With Food Preparation Pot.
 Gill et al.; U.S. Appl. No. 16/059,876, filed Aug. 9, 2018; Cooking Device and Components Thereof.
 Gill et al.; U.S. Appl. No. 16/059,874, filed Aug. 9, 2018; Cooking Device and Components Thereof.
 DeLonghi, [online]; [retrieved on Mar. 18, 2019]; retrieved from the Internet <https://www.delonghi.com/en-us/products/kitchen/kitchen-appliances/low-oil-fryer-and-multicooker/multifry-fh11631bk-0125392006?TabSegment=support#supportDeLonghi>, "FH1163 FH1363 MultiFry", DeLonghi Instruction Manual, www.delonghi.com, 5712511041/05.15, pp. 1-11.
 Gill et al.; Design U.S. Appl. No. 29/659,576, filed Aug. 9, 2018; Cooking Basket.
 Gill et al.; Design U.S. Appl. No. 29/659,578, filed Aug. 9, 2018; Reversible Cooking Rack.
 U.S. Appl. No. 29/659,571, filed Aug. 9, 2018; Restriction Requirement dated Oct. 1, 2019; pp. 1-8.
 U.S. Appl. No. 29/659,577, filed Aug. 9, 2018; Restriction Requirement dated Oct. 1, 2019; pp. 1-8.
 U.S. Appl. No. 29/660,472, filed Aug. 21, 2018; Restriction Requirement dated Oct. 1, 2019; pp. 1-8.
 U.S. Appl. No. 29/660,481, filed Aug. 21, 2018; Notice of Allowance dated Sep. 26, 2019; pp. 1-8.
 U.S. Appl. No. 29/660,489, filed Aug. 21, 2018; Ex Parte Quayle Action dated Sep. 30, 2019; pp. 1-8.
 U.S. Appl. No. 29/679,920, filed Feb. 11, 2019; User Interface for a Food Preparation Device; Notice of Allowance dated Oct. 23, 2019; pp. 1-10.
 U.S. Appl. No. 29/679,917, filed Feb. 11, 2019; Notice of Allowance dated Sep. 25, 2019; pp. 1-9.

(56)

References Cited

OTHER PUBLICATIONS

Varjabedian et al.; Design U.S. Appl. No. 29/659,571, filed Aug. 9, 2018; Food Preparation Device, User Interface, and Part Thereof.

* cited by examiner

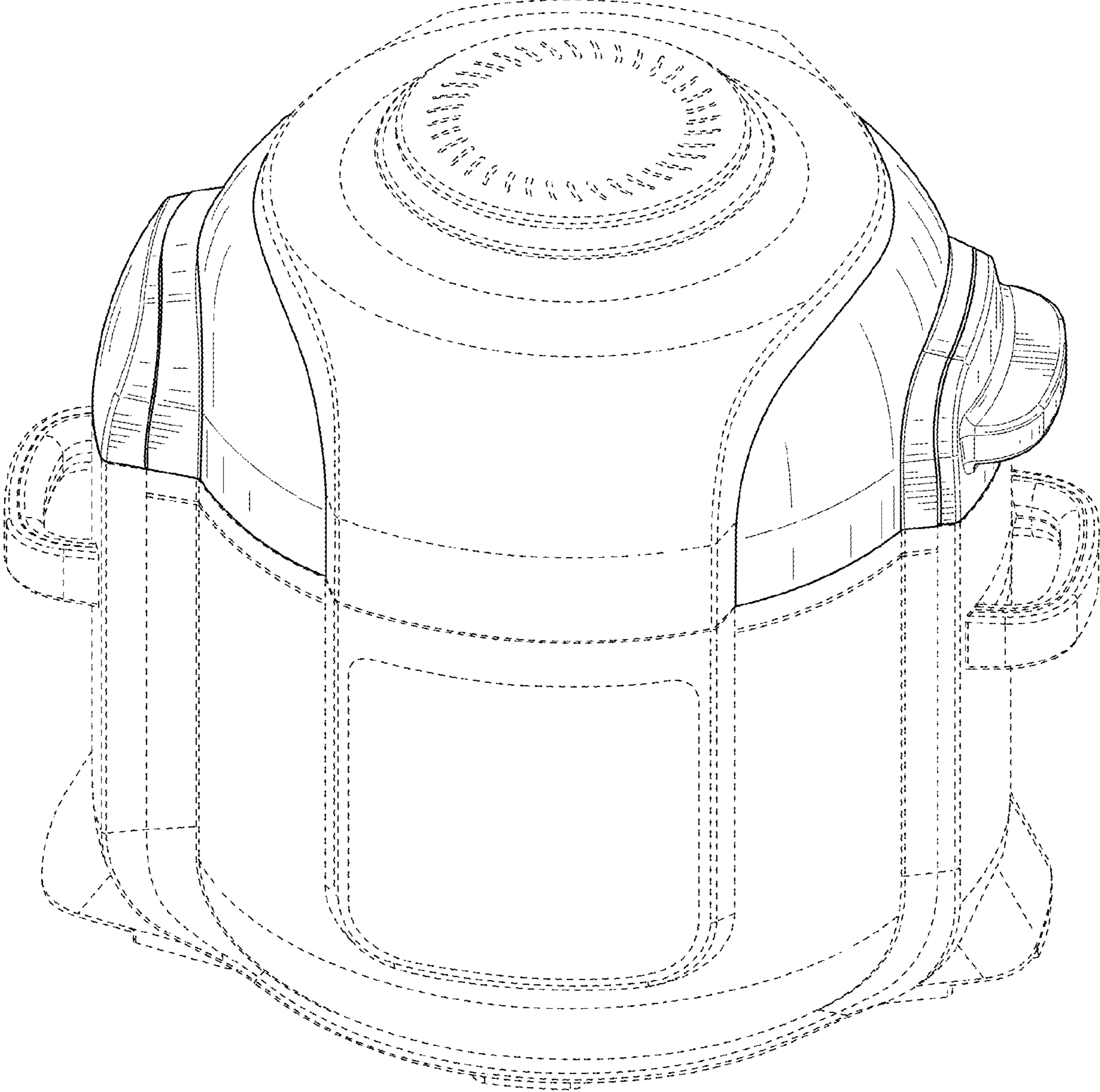


FIG. 1

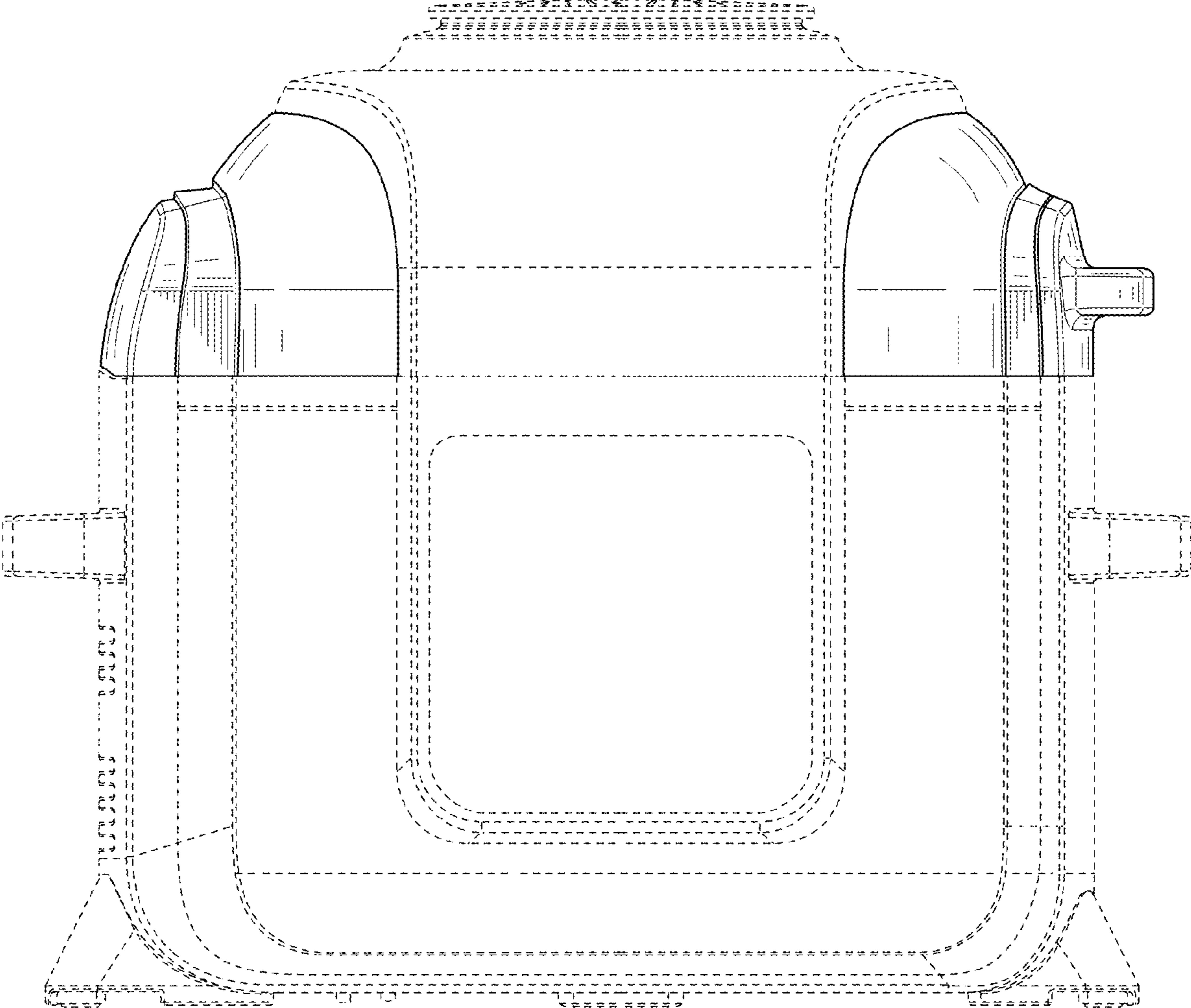


FIG. 2

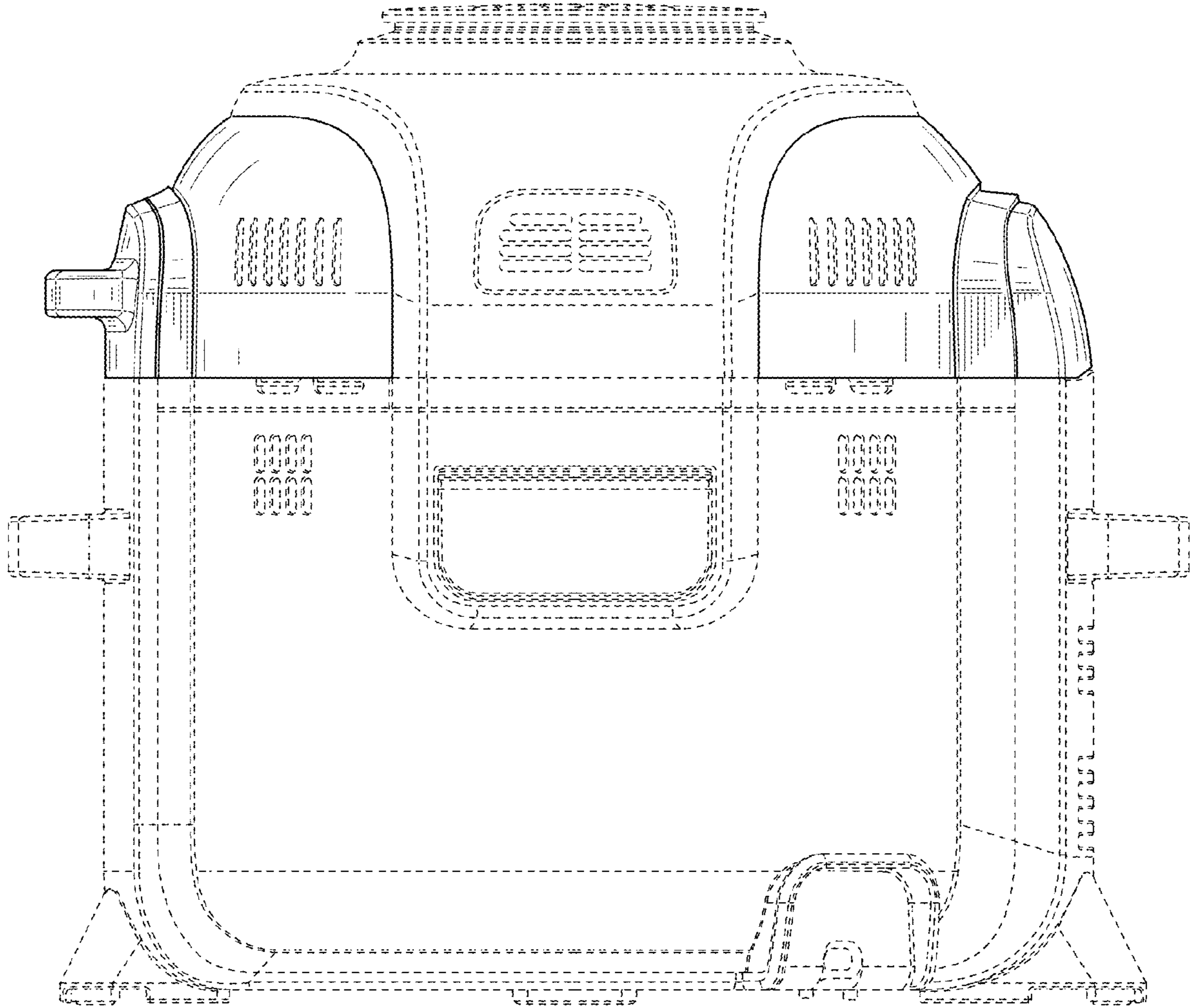


FIG. 3

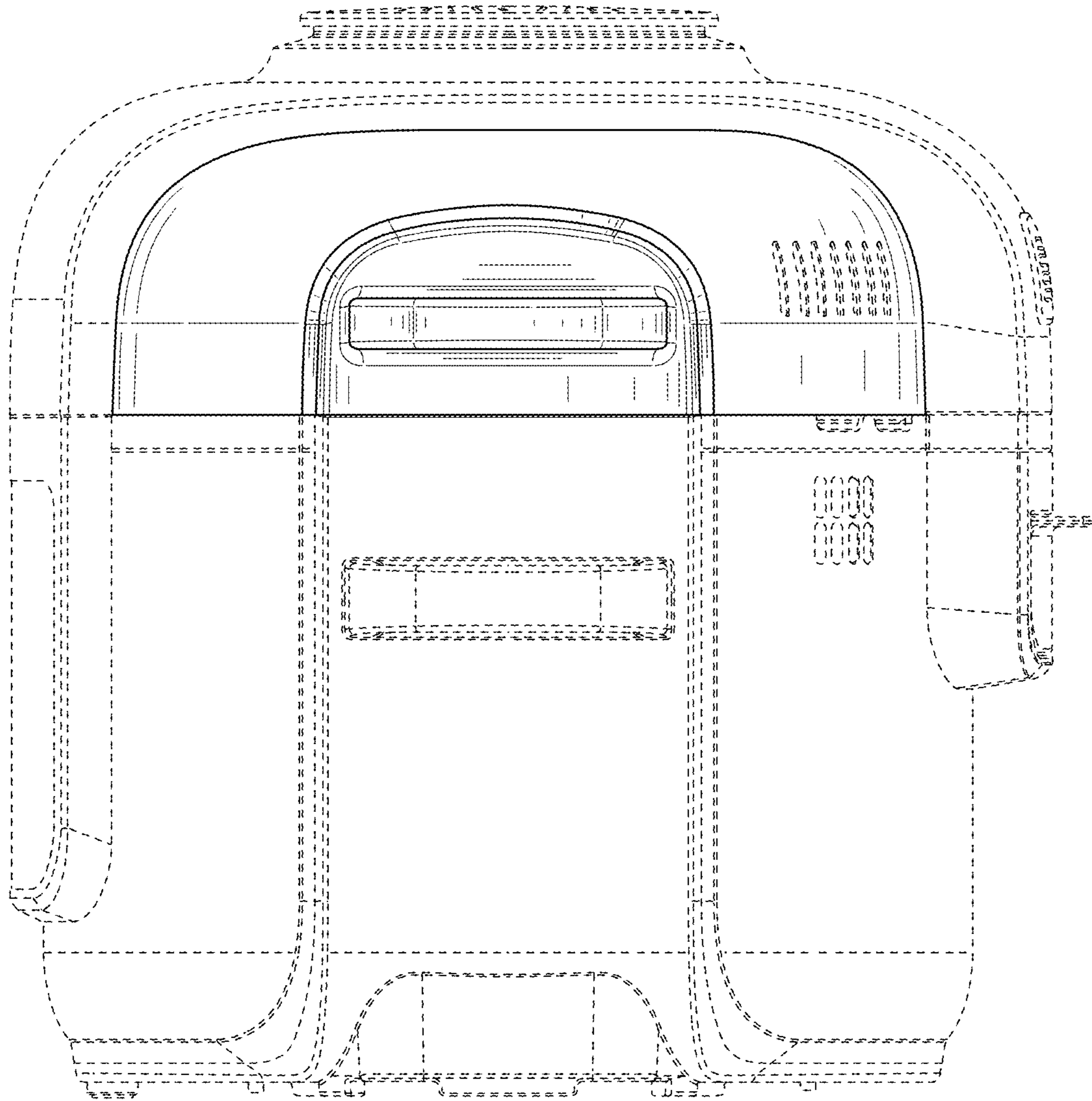


FIG. 4

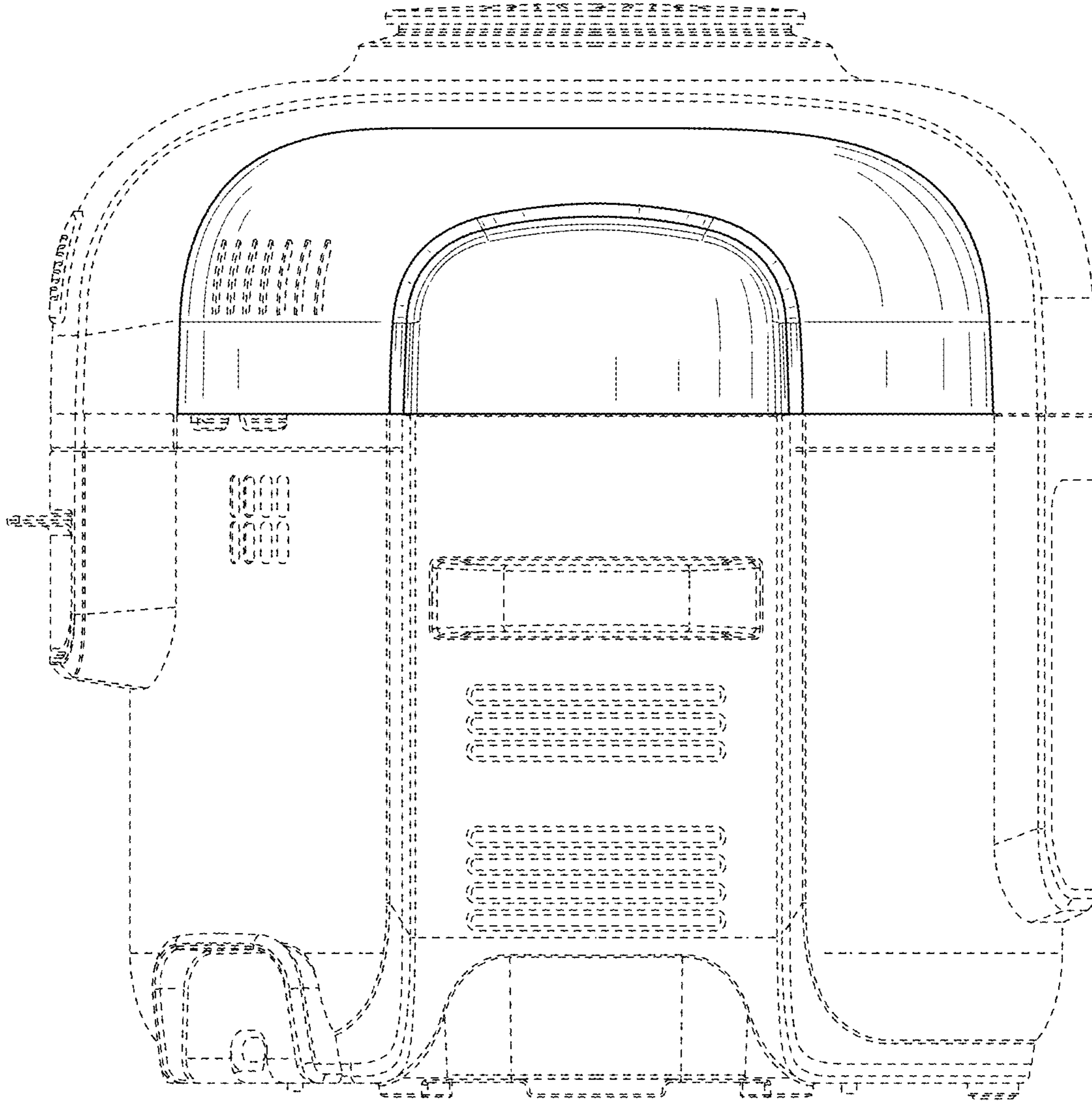


FIG. 5

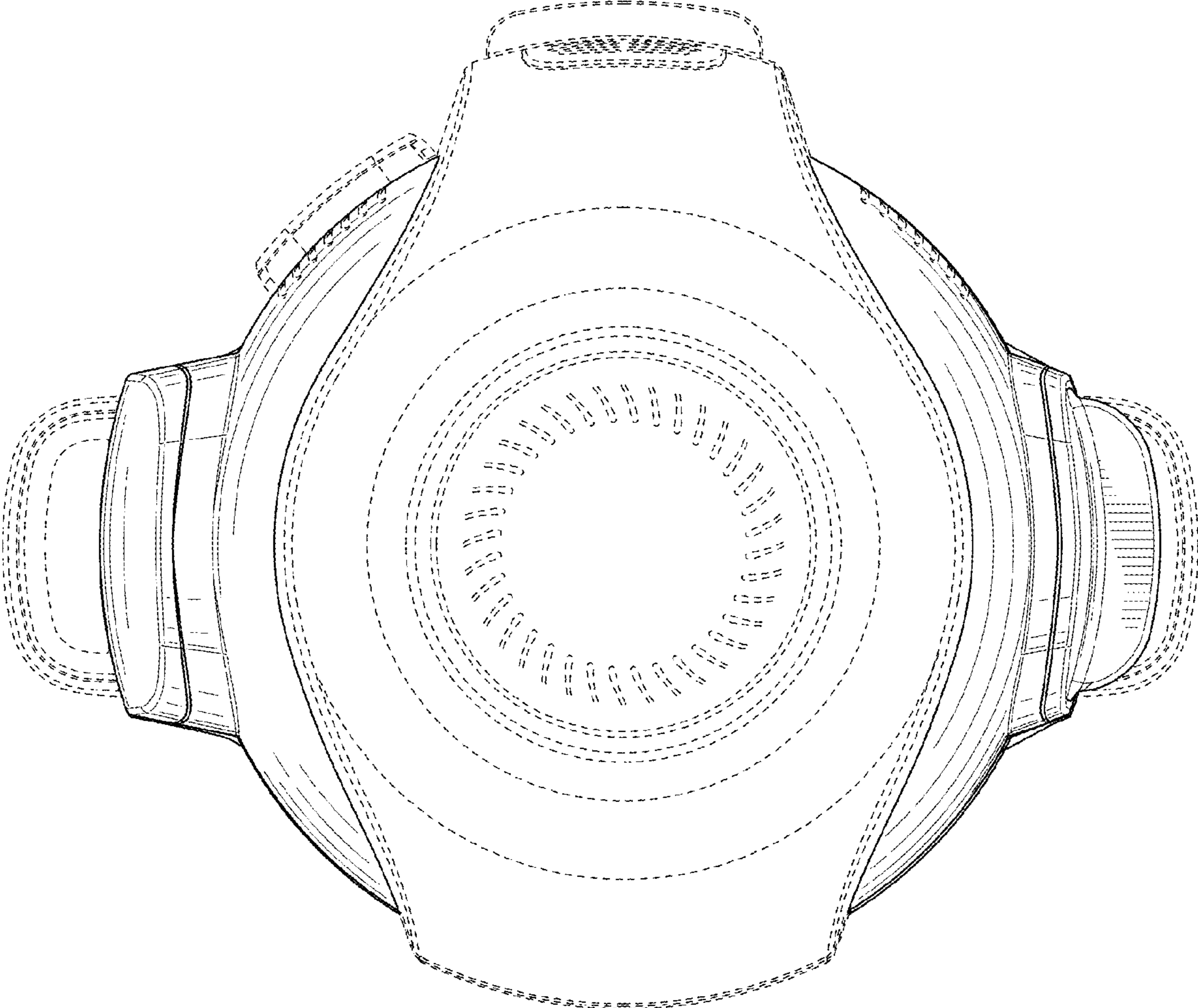


FIG. 6

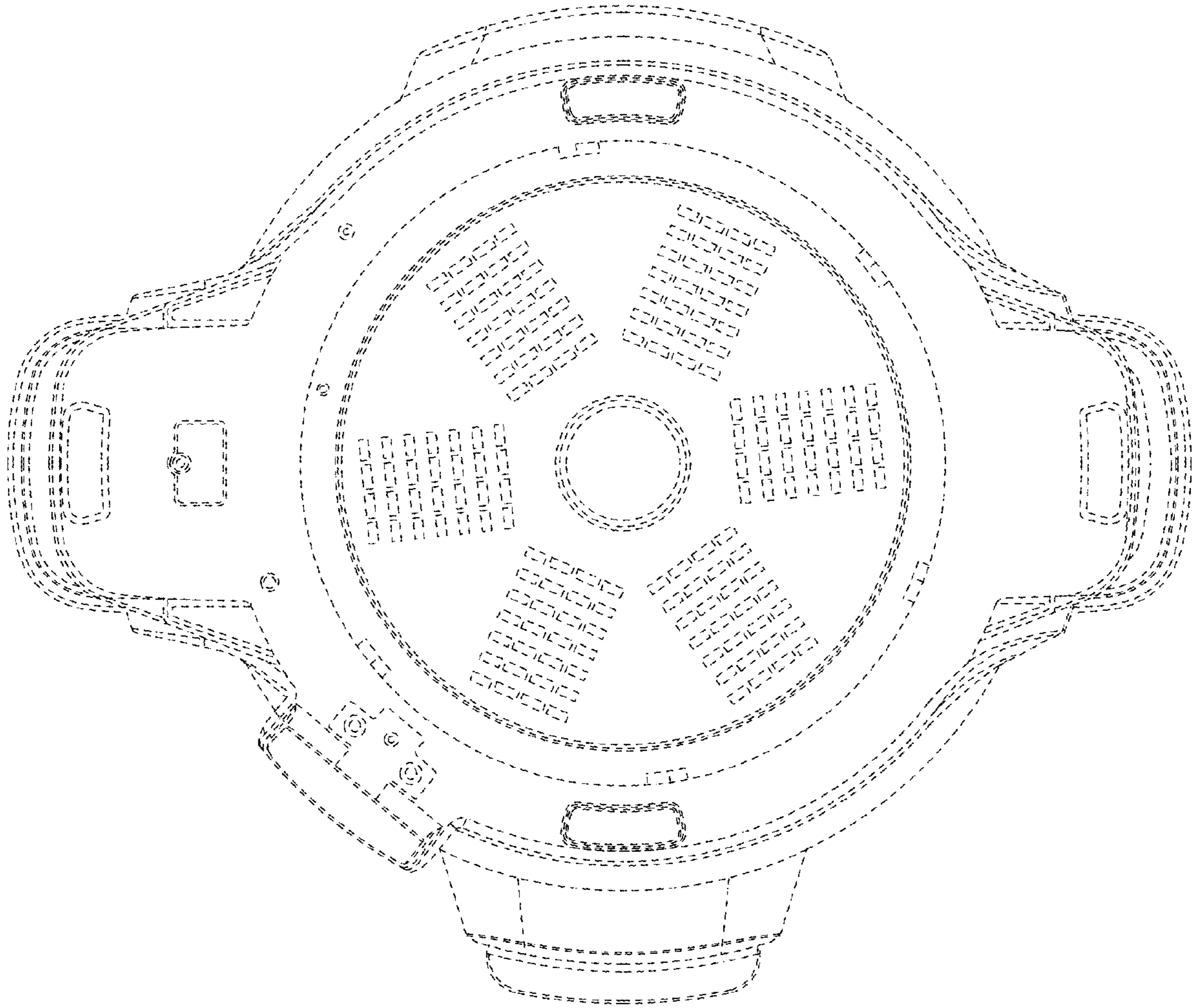


FIG. 7