



US00D929789S

(12) **United States Design Patent** (10) **Patent No.:** **US D929,789 S**
Han et al. (45) **Date of Patent:** **** *Sep. 7, 2021**

(54) **OVEN RANGE**

(71) Applicant: **LG ELECTRONICS INC.**, Seoul (KR)

(72) Inventors: **Songyi Han**, Seoul (KR); **Hongsik Kwon**, Seoul (KR); **Inhwan Ryu**, Seoul (KR); **Suhyeon Son**, Seoul (KR); **Sooyeon Kim**, Seoul (KR)

(73) Assignee: **LG ELECTRONICS INC.**, Seoul (KR)

(*) Notice: This patent is subject to a terminal disclaimer.

(**) Term: **15 Years**

(21) Appl. No.: **35/509,188**

(22) Filed: **Oct. 23, 2019**

(80) **Hague Agreement Data**

Int. Filing Date: **Oct. 23, 2019**

Int. Reg. No.: **DM/204763**

Int. Reg. Date: **Oct. 23, 2019**

Int. Reg. Pub. Date: **Apr. 24, 2020**

(30) **Foreign Application Priority Data**

Apr. 25, 2019 (KR) 30-2019-0019697

(51) **LOC (13) Cl.** **07-02**

(52) **U.S. Cl.**
USPC **D7/340**

(58) **Field of Classification Search**
USPC ... D7/339, 340, 341, 348, 350.1–350.4, 351, D7/402
CPC F24C 15/024; F24C 15/162; F24C 15/022; F24C 15/00

See application file for complete search history.

(56) **References Cited**

U.S. PATENT DOCUMENTS

D604,987 S *	12/2009	Jung	D7/348
D642,417 S *	8/2011	Kim	D7/340
D755,008 S *	5/2016	Kim	D7/406
D763,616 S *	8/2016	Kim	D7/340
D787,254 S *	5/2017	Cho	D7/340
D787,257 S *	5/2017	Kim	D7/340
D788,512 S *	6/2017	Kim	D7/340
D788,513 S *	6/2017	Chung	D7/340
D794,998 S *	8/2017	Cho	D7/340
D805,832 S *	12/2017	Kim	D7/340
D871,823 S *	1/2020	Choi	D7/340
D874,220 S *	2/2020	Kim	D7/406

* cited by examiner

Primary Examiner — Michael A. Pratt

(74) *Attorney, Agent, or Firm* — Birch, Stewart, Kolasch & Birch, LLP

(57) **CLAIM**

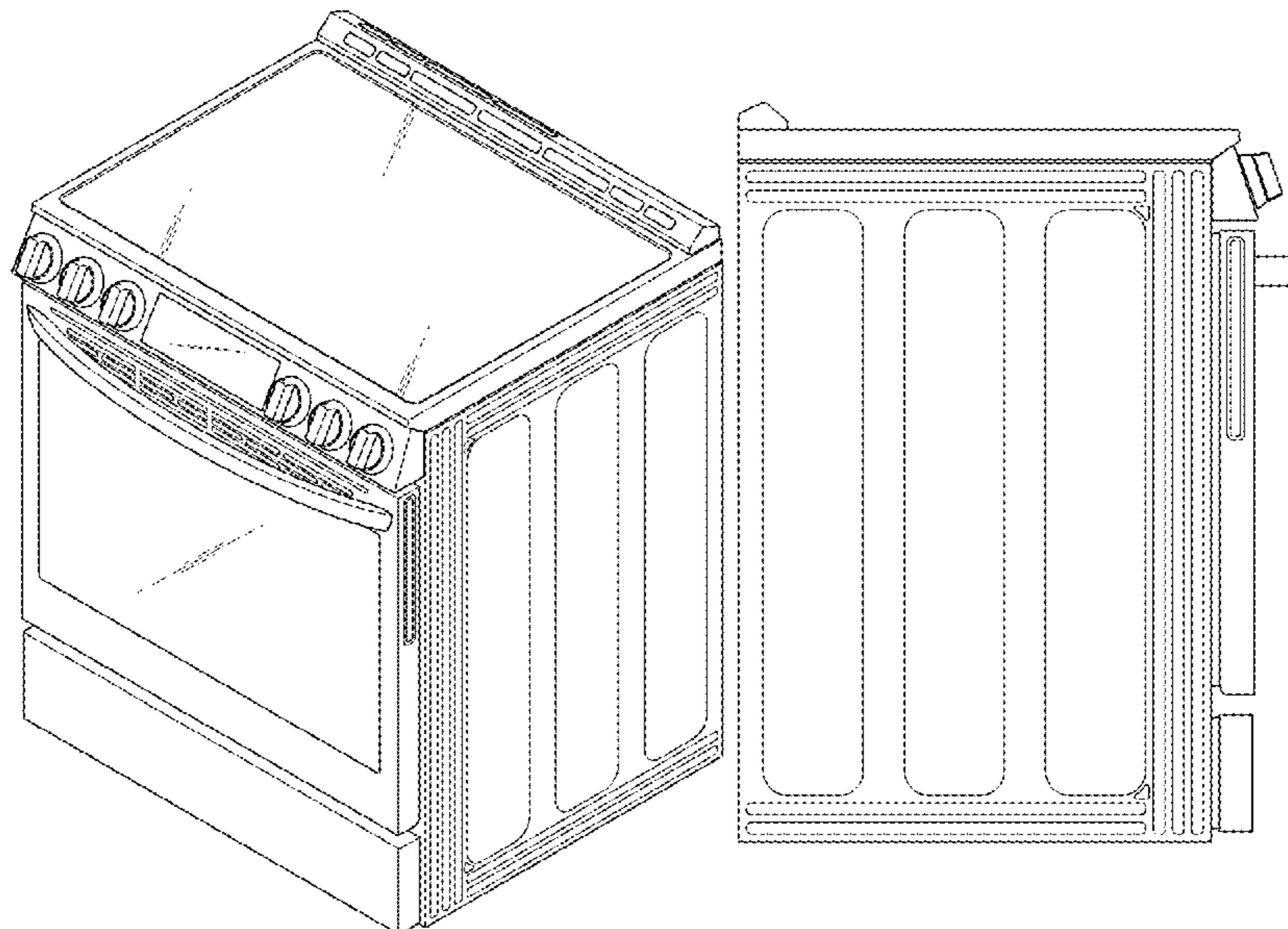
The ornamental design for an oven range, as shown and described.

DESCRIPTION

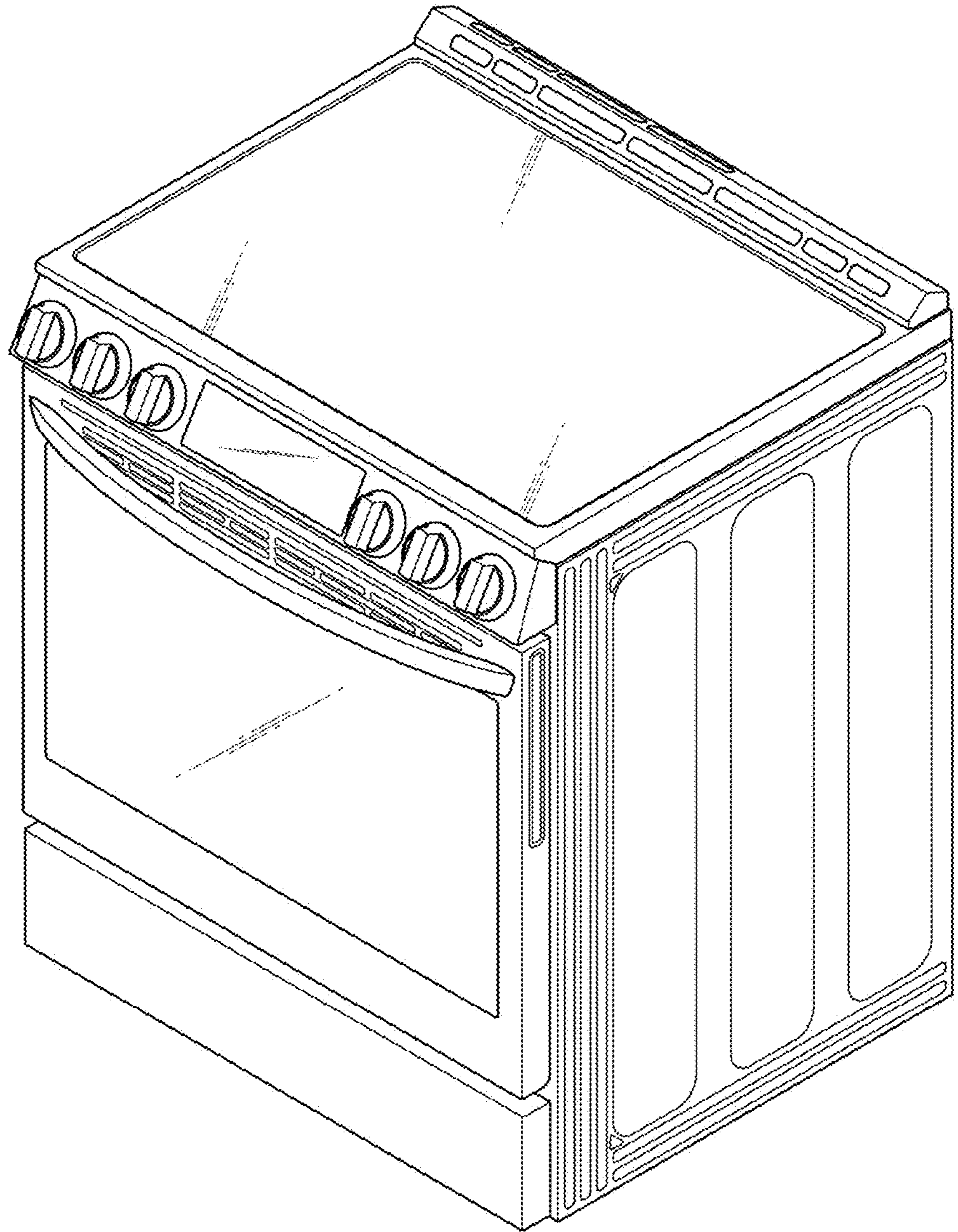
- 1. Oven range
- 1.1 : Perspective
- 1.2 : Front
- 1.3 : Back
- 1.4 : Left
- 1.5 : Right
- 1.6 : Top
- 1.7 : Bottom
- 1.8 : Reference

Reproduction 1.8 is a reference view showing a state of the front surface glass door changed into the so-called “see-through door” by means of a sensor for detecting approach of and/or contact of person, and forms no part of the claimed design.

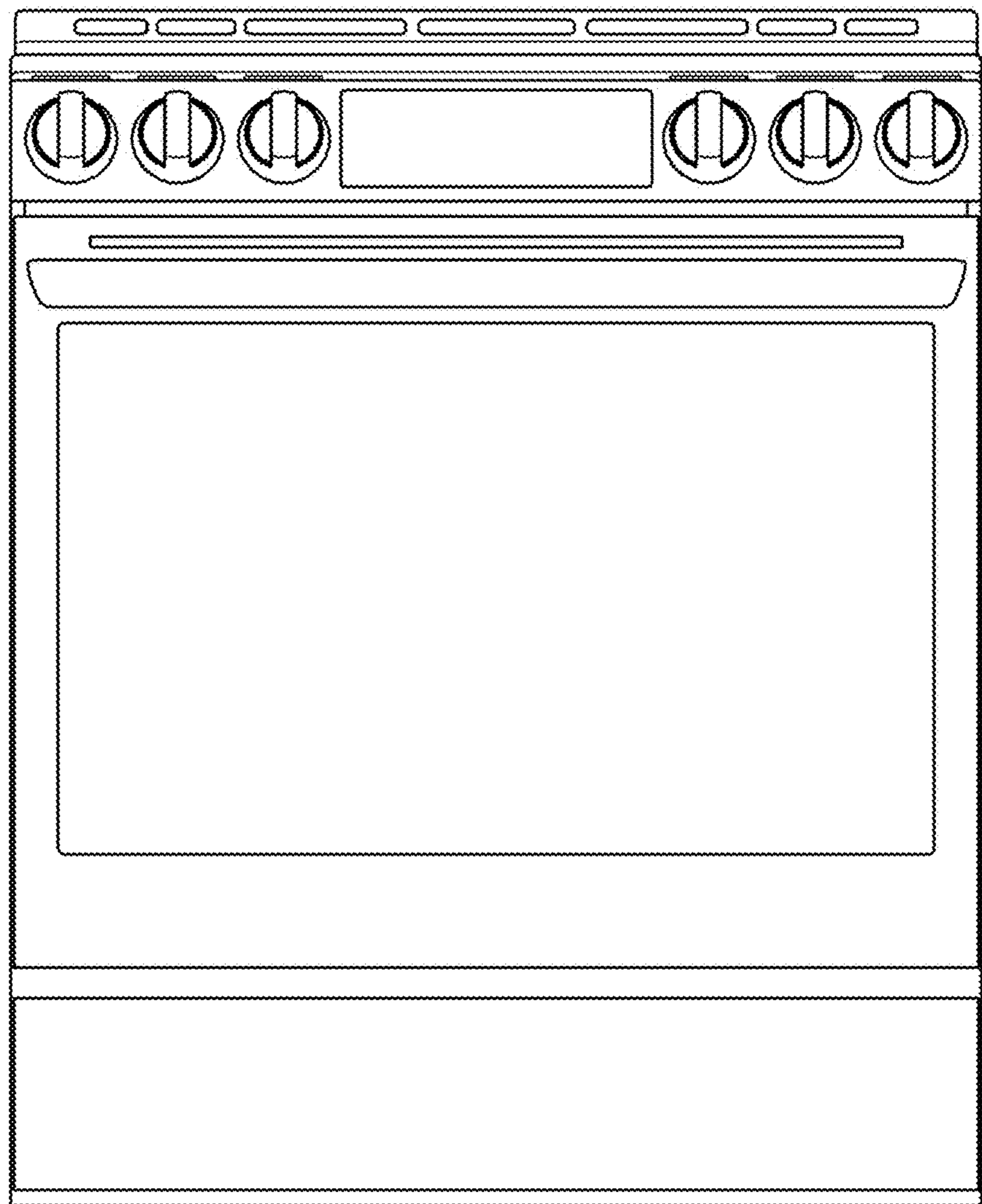
1 Claim, 8 Drawing Sheets



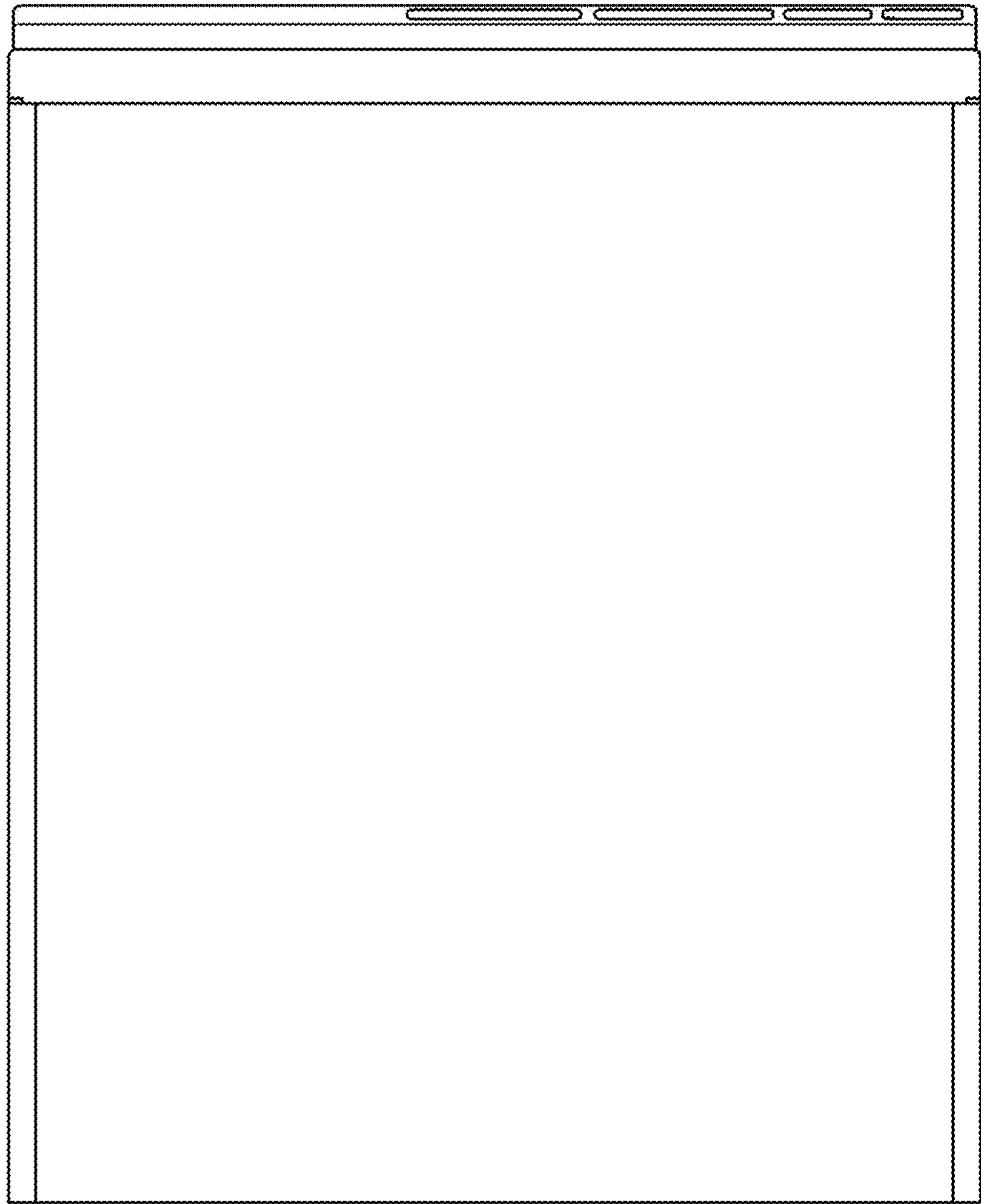
1.1



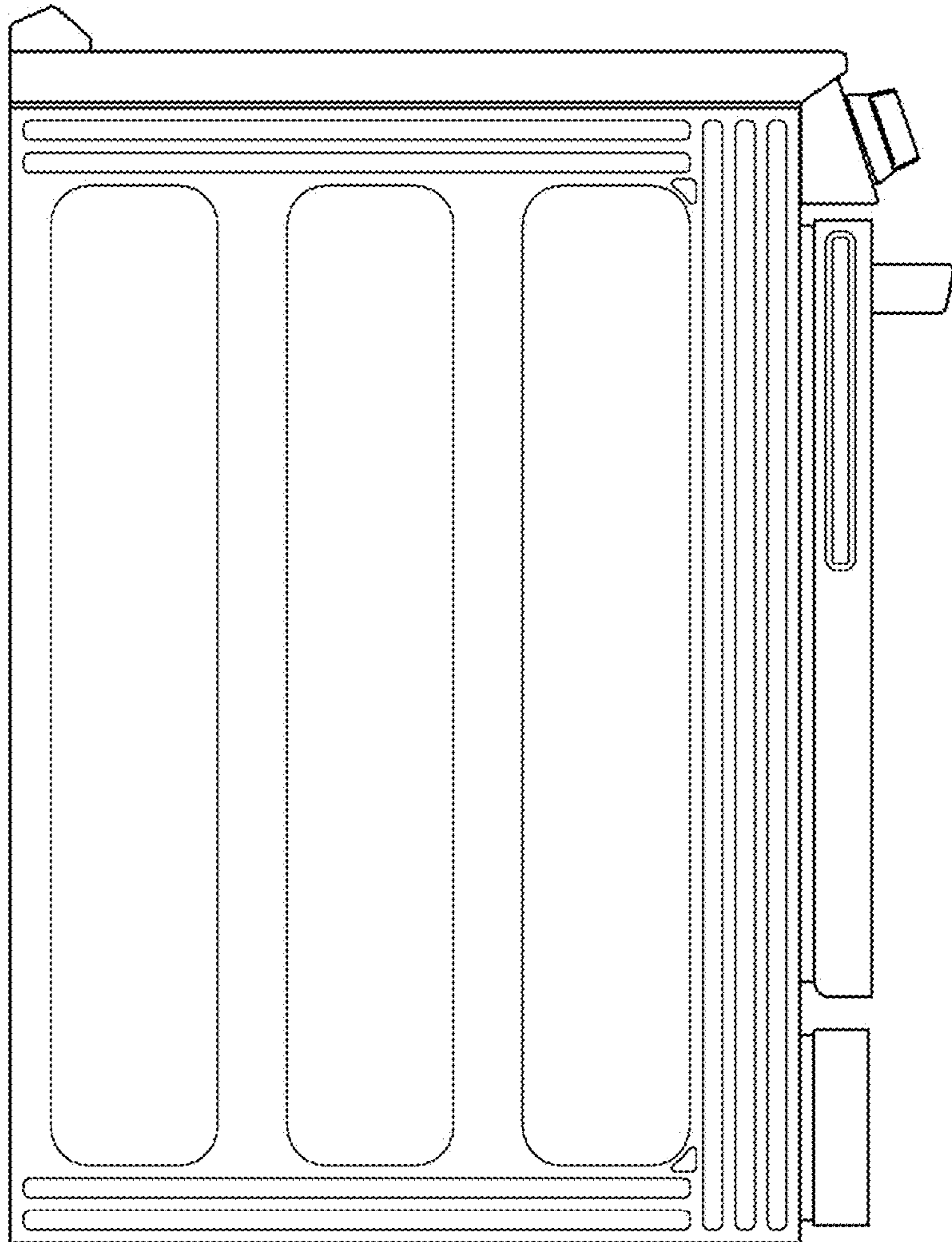
1.2



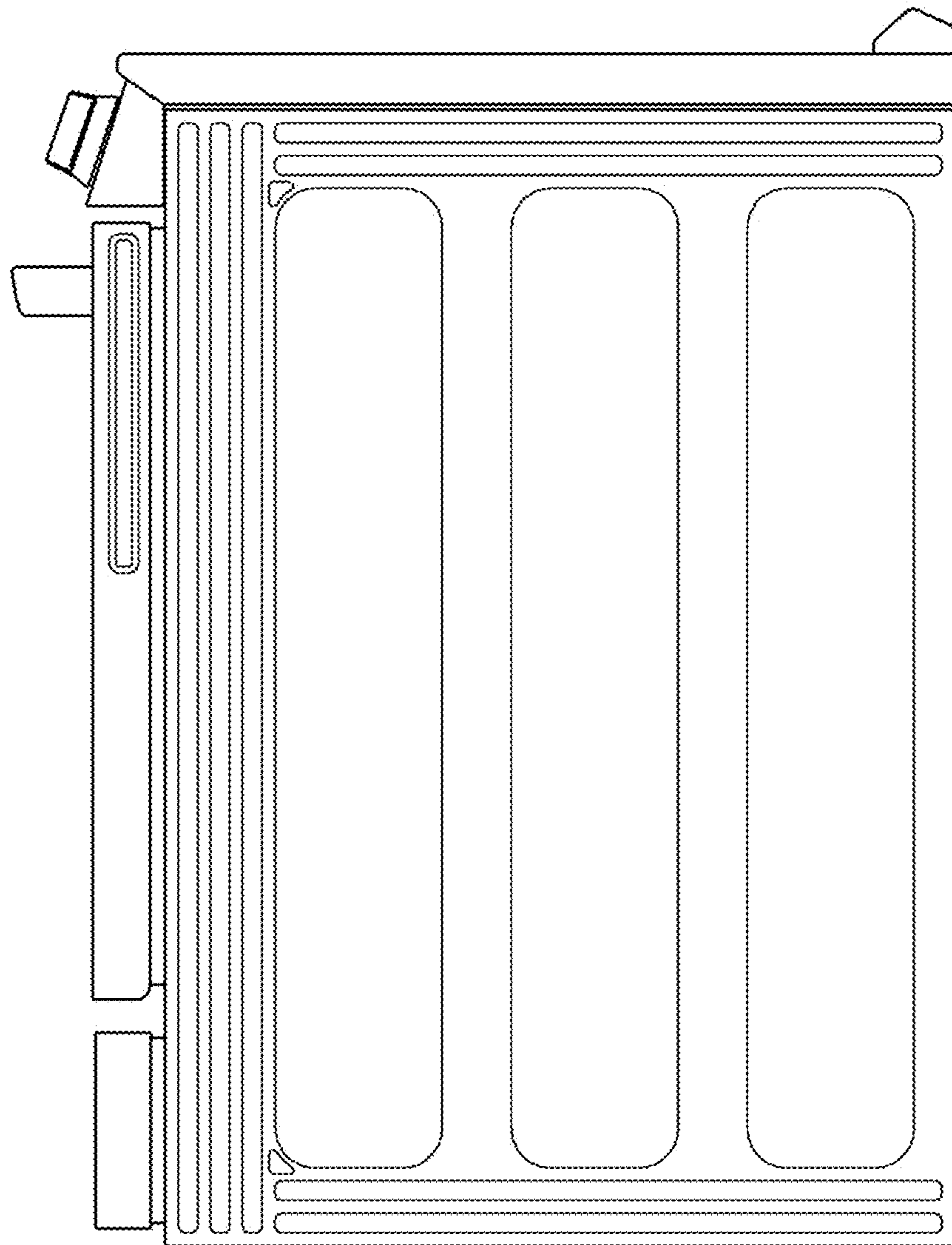
1.3



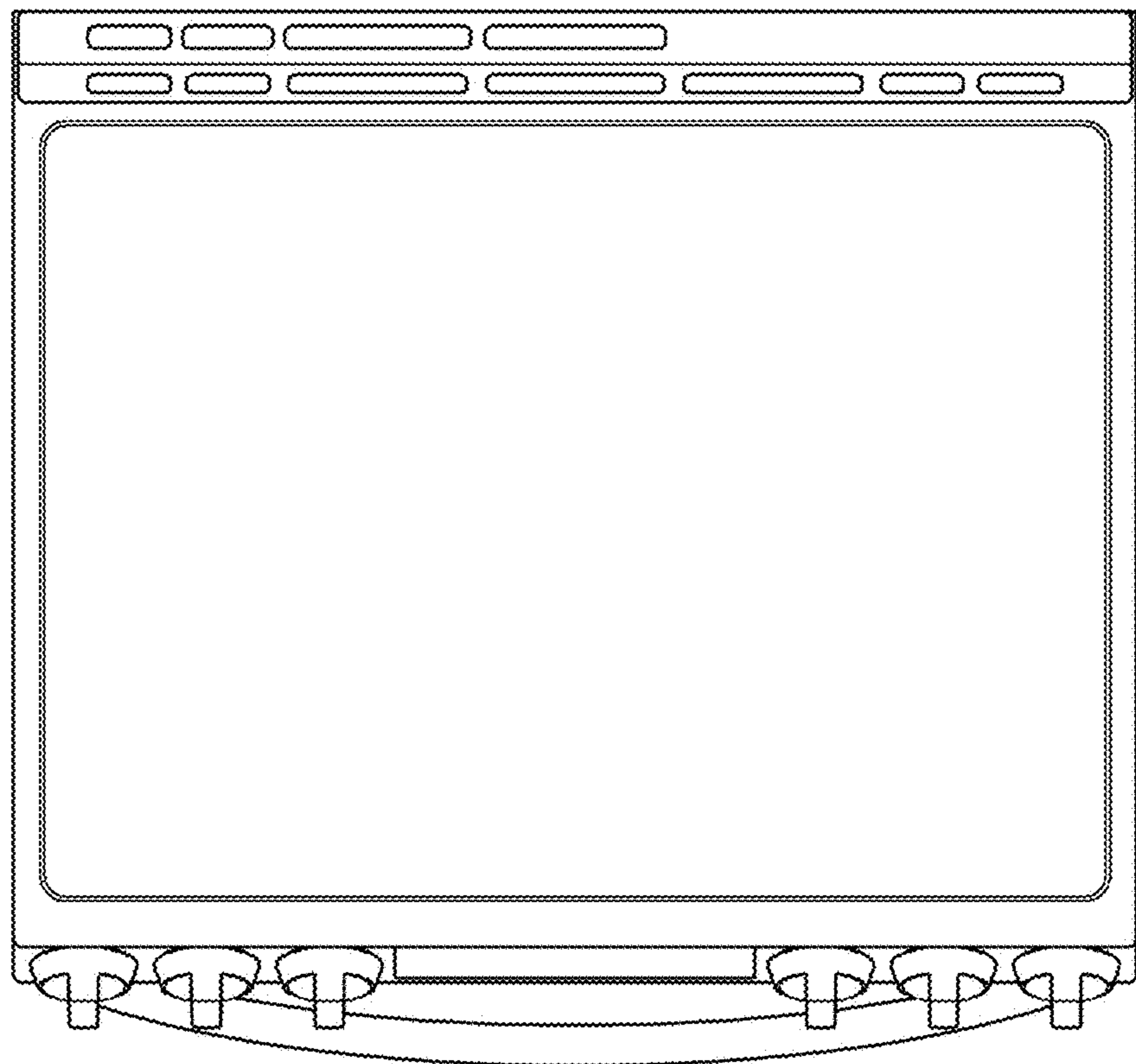
1.4



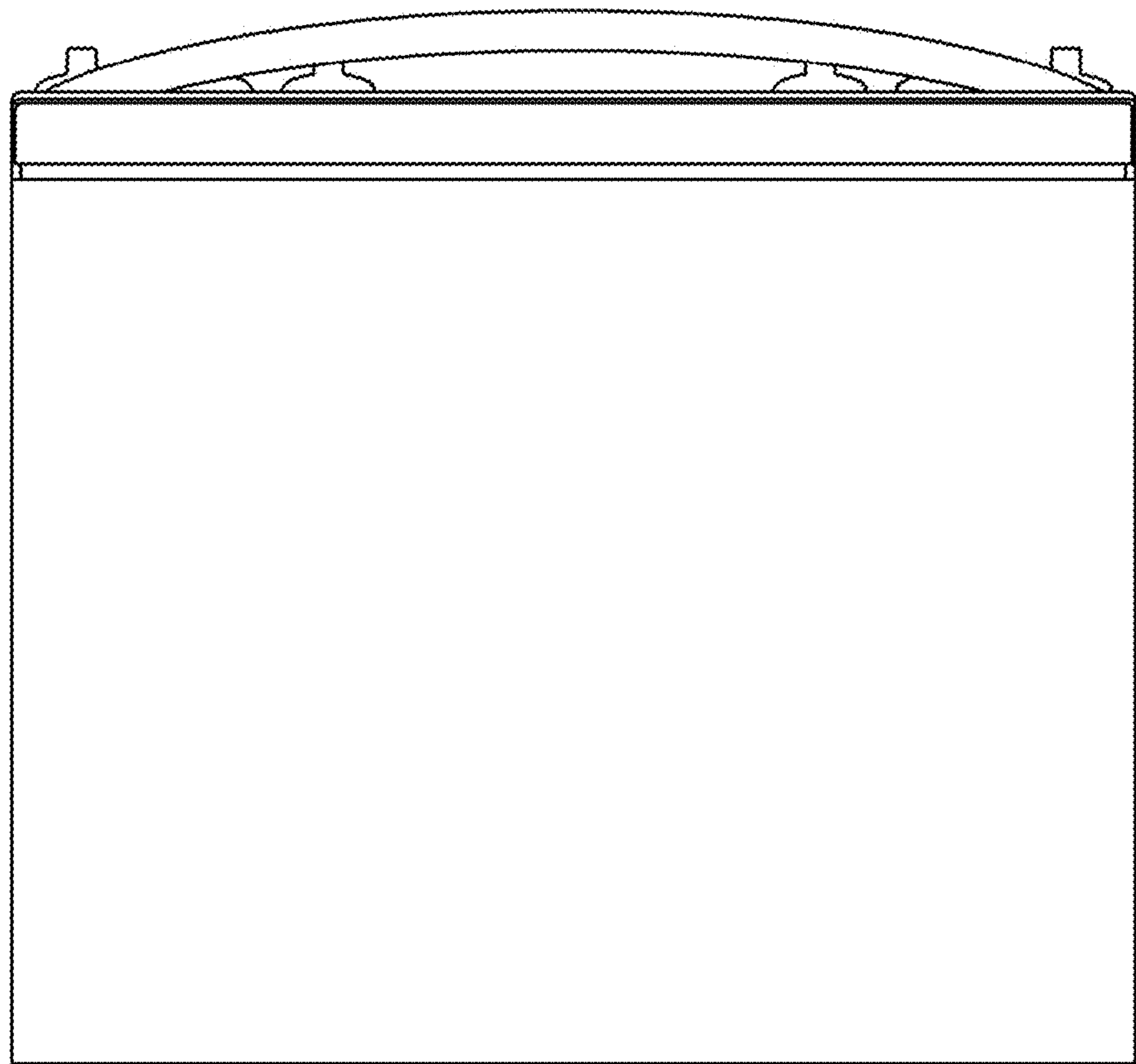
1.5



1.6



1.7



1.8

