



US00D929787S

(12) **United States Design Patent**  
**Neu et al.**

(10) **Patent No.:** **US D929,787 S**  
(45) **Date of Patent:** **\*\* Sep. 7, 2021**

(54) **GRILL**  
(71) Applicant: **Ora Grill GmbH**, Wuppertal (DE)  
(72) Inventors: **Thorben Neu**, Los Angeles, CA (US);  
**René Mondry**, Wuppertal (DE);  
**Salvatore Salerno**, Wuppertal (DE)  
(\*\*) Term: **15 Years**  
(21) Appl. No.: **35/509,099**  
(22) Filed: **Jan. 29, 2020**  
(80) **Hague Agreement Data**  
Int. Filing Date: **Jan. 29, 2020**  
Int. Reg. No.: **DM/207130**  
Int. Reg. Date: **Jan. 29, 2020**  
Int. Reg. Pub. Date: **Apr. 17, 2020**

(30) **Foreign Application Priority Data**  
Jul. 29, 2019 (EM) ..... 006649539-0001  
(51) **LOC (13) Cl.** ..... **07-02**  
(52) **U.S. Cl.**  
USPC ..... **D7/332**  
CPC ..... **A47J 37/07** (2013.01)  
(58) **Field of Classification Search**  
USPC ..... D7/332-337, 402, 405, 406; 126/9 R,  
126/9 A, 9 B  
CPC ..... A47J 37/07-0781; A23B 4/052; A23B  
4/044; A23B 4/0523; A23B 4/056  
See application file for complete search history.

(56) **References Cited**  
U.S. PATENT DOCUMENTS  
3,276,440 A \* 10/1966 Sazegar ..... A47J 37/0704  
126/25 A  
3,398,733 A \* 8/1968 Bradley ..... A47J 37/0704  
126/25 A  
D259,386 S \* 6/1981 Mulder ..... D7/334

5,865,099 A \* 2/1999 Waugh ..... A47J 37/0786  
99/340  
5,906,193 A \* 5/1999 Leach ..... A47J 37/0786  
126/25 R  
D420,243 S \* 2/2000 Samaras ..... D7/332  
D463,196 S \* 9/2002 Hsu ..... D7/332  
D463,949 S \* 10/2002 Pai ..... D7/334  
D481,903 S \* 11/2003 Hester ..... D7/332  
D550,022 S \* 9/2007 Amajuwon ..... D7/332  
D615,807 S \* 5/2010 Creel ..... D7/358  
D668,096 S \* 10/2012 Simms, II ..... D7/334  
D684,416 S \* 6/2013 Keiser ..... D7/334  
D706,072 S \* 6/2014 Paslawski ..... D7/334  
D714,090 S \* 9/2014 Harper ..... D7/334  
D747,620 S \* 1/2016 Chung ..... D7/332  
D747,909 S \* 1/2016 Simms, II ..... D7/332  
9,237,828 B2 \* 1/2016 Walters ..... A47J 37/0759  
9,380,910 B1 \* 7/2016 Noel, II ..... A47J 37/0704  
D792,733 S \* 7/2017 Benson ..... D7/334

(Continued)

*Primary Examiner* — Richard E Chilcot  
(74) *Attorney, Agent, or Firm* — The Maxham Firm;  
Lawrence A. Maxham

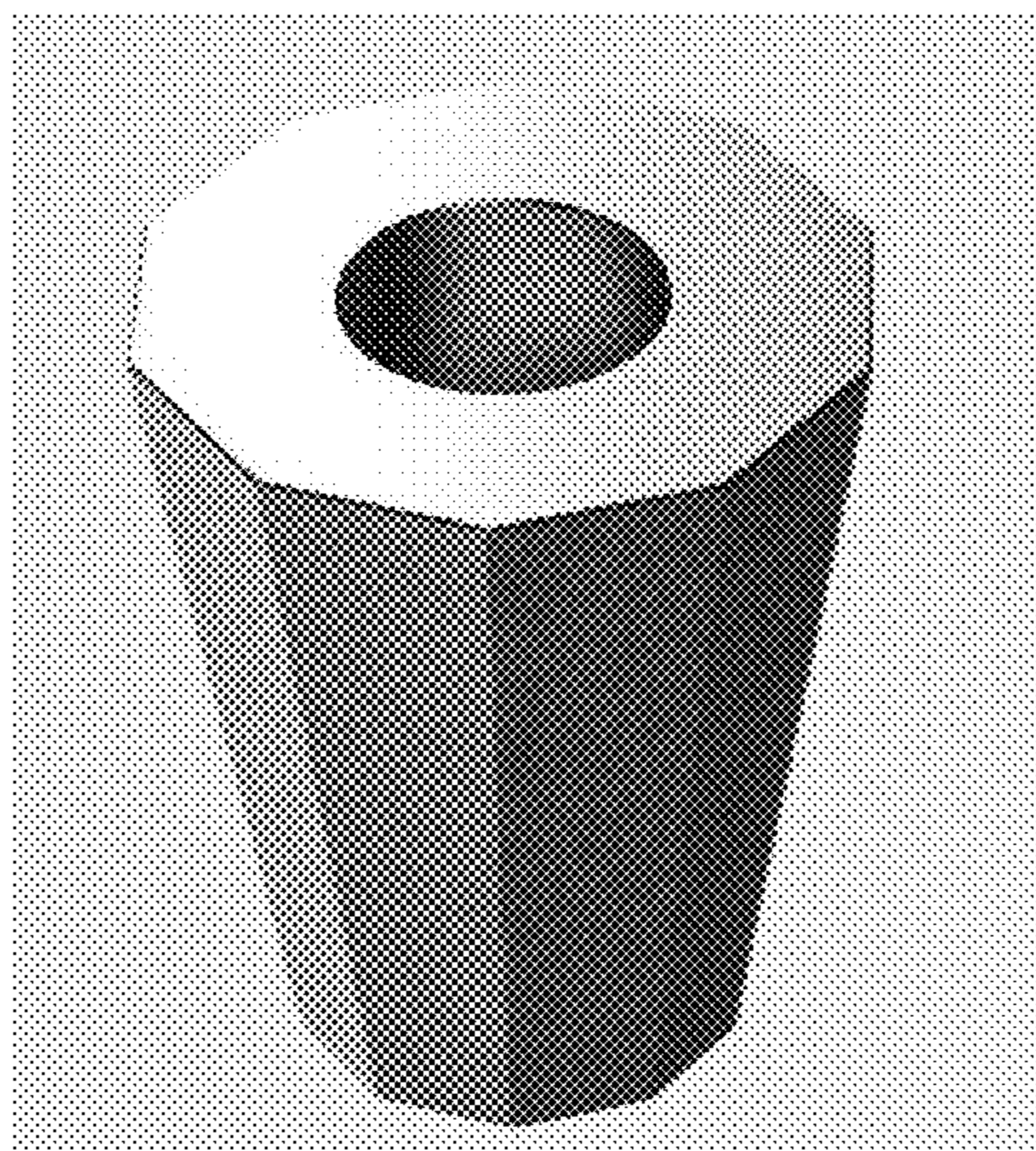
(57) **CLAIM**

The ornamental design for a grill, as shown and described.

**DESCRIPTION**

The patent or application file contains at least one drawing executed in color. Copies of this patent or patent application publication with color drawing(s) will be provided by the Office upon request and payment of the necessary fee.  
FIG. 1.1 is a top perspective view of the grill according to the invention;  
FIG. 1.2 is a bottom perspective view thereof;  
FIG. 1.3 is a top view thereof;  
FIG. 1.4 is a bottom view thereof;  
FIG. 1.5 is a front view thereof;  
FIG. 1.6 is a view of one side thereof, the opposite side being a mirror image thereof; and  
FIG. 1.7 is a rear view thereof.

**1 Claim, 7 Drawing Sheets**  
**(7 of 7 Drawing Sheet(s) Filed in Color)**



(56)

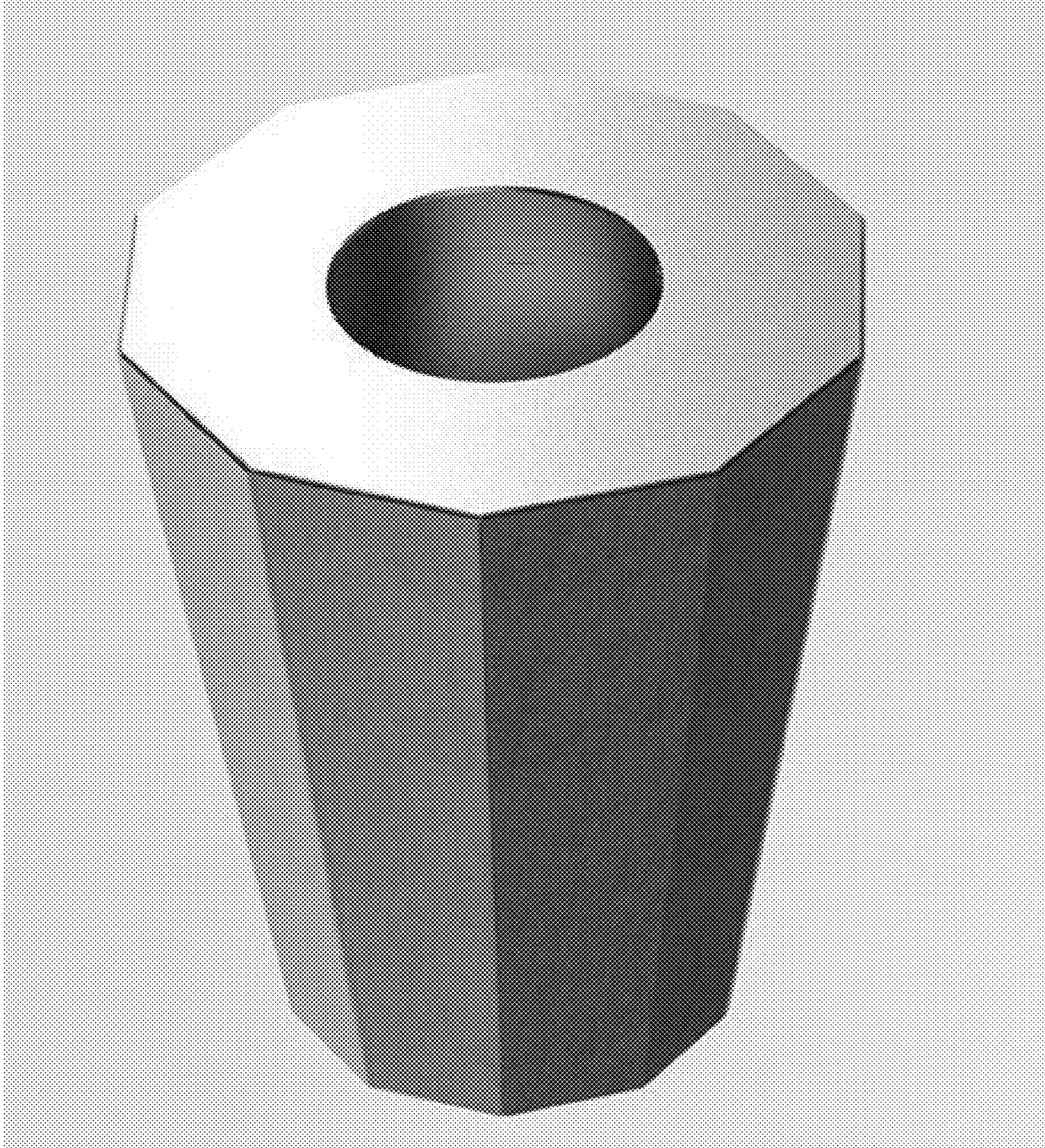
**References Cited**

U.S. PATENT DOCUMENTS

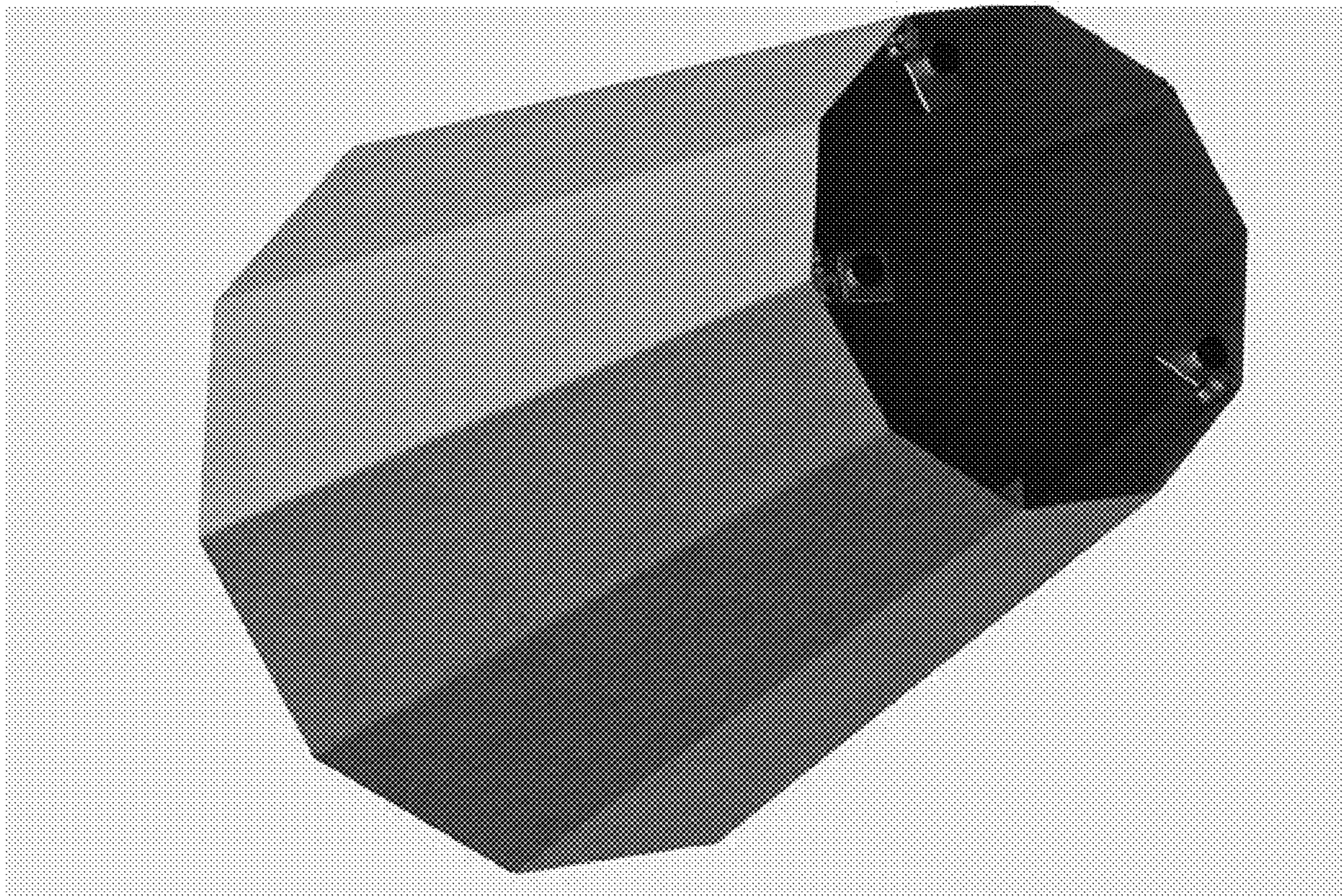
D822,423 S \* 7/2018 Demars ..... D7/334  
D857,440 S \* 8/2019 DeMars ..... D7/334  
D901,244 S \* 11/2020 Baker ..... D7/402  
2006/0054158 A1\* 3/2006 Nash ..... A47J 37/0786  
126/25 R  
2009/0308373 A1\* 12/2009 Scott ..... A47J 36/06  
126/25 R  
2010/0258106 A1\* 10/2010 Simms, II ..... A47J 37/0704  
126/25 R  
2011/0283000 A1\* 11/2011 McCormack .. G06Q 10/063112  
709/226  
2015/0305560 A1\* 10/2015 Hamlin ..... A47J 36/34  
126/25 R  
2016/0174767 A1\* 6/2016 Schlosser ..... A47J 37/0704  
126/25 R  
2016/0220066 A1\* 8/2016 Roberts ..... A47J 37/0786  
2017/0164784 A1\* 6/2017 Rummel ..... A47J 37/041  
2017/0367534 A1\* 12/2017 Bogazzi ..... A47J 37/0786

\* cited by examiner

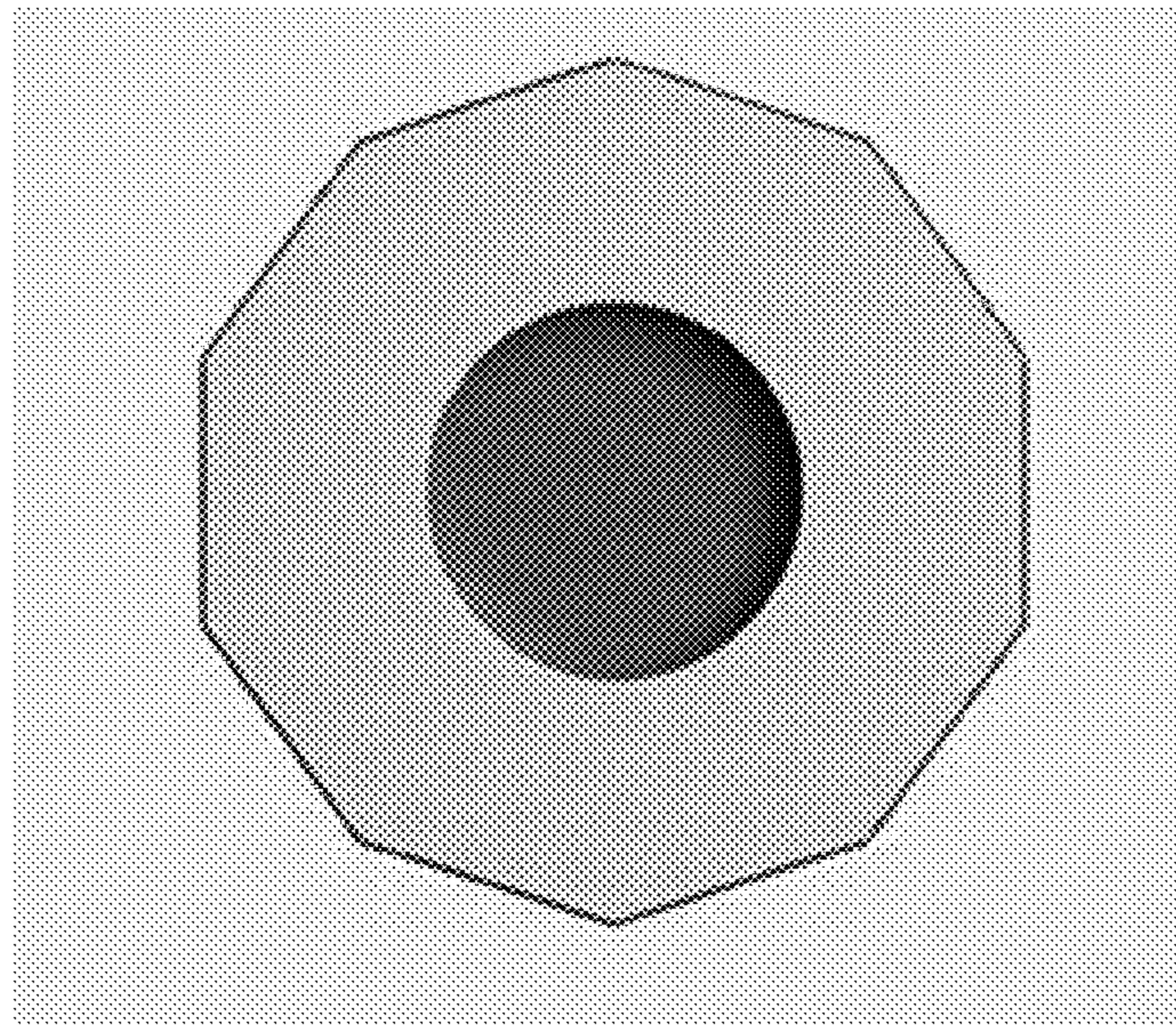
# 1.1



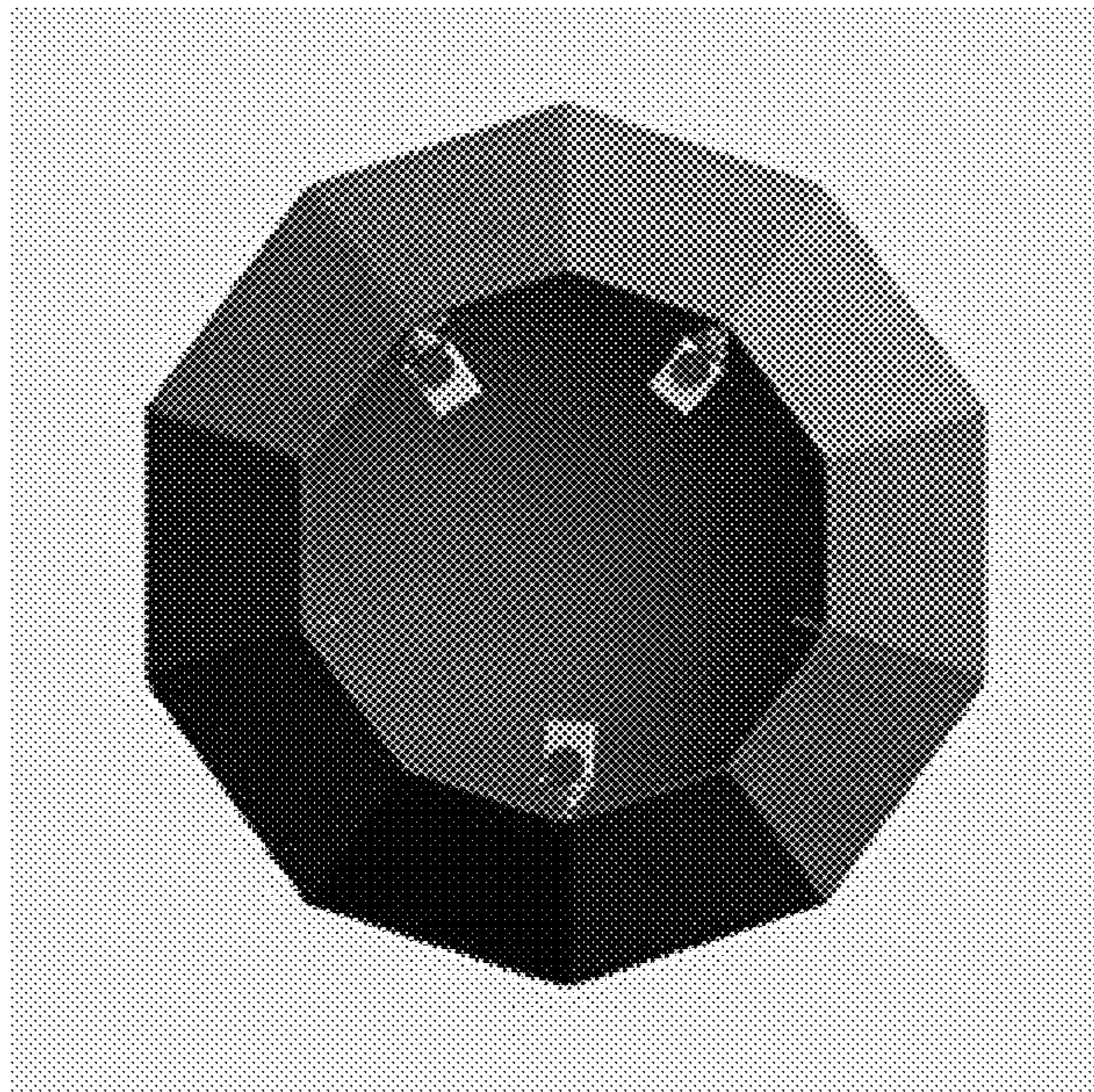
# 1.2



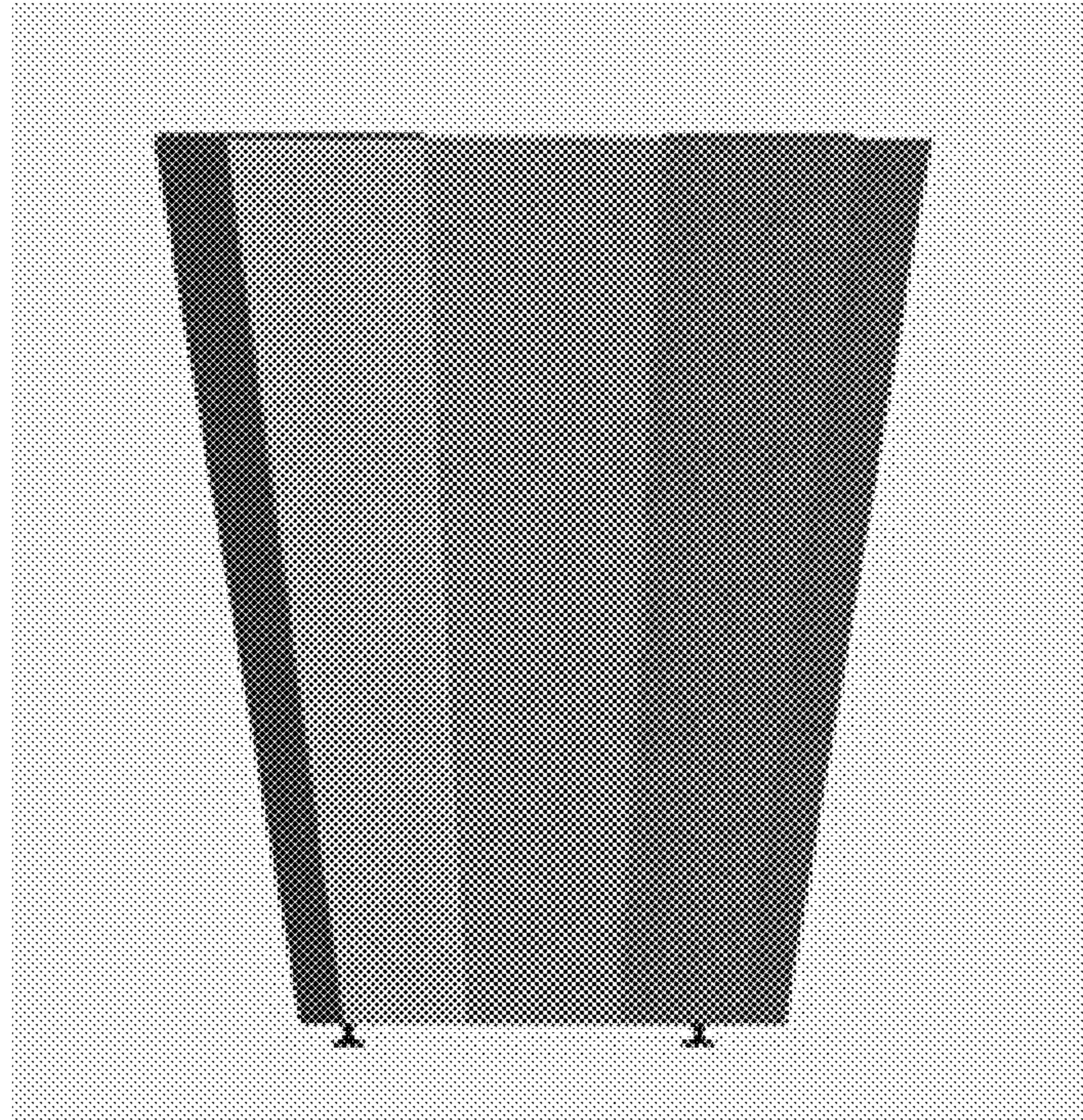
**1.3**



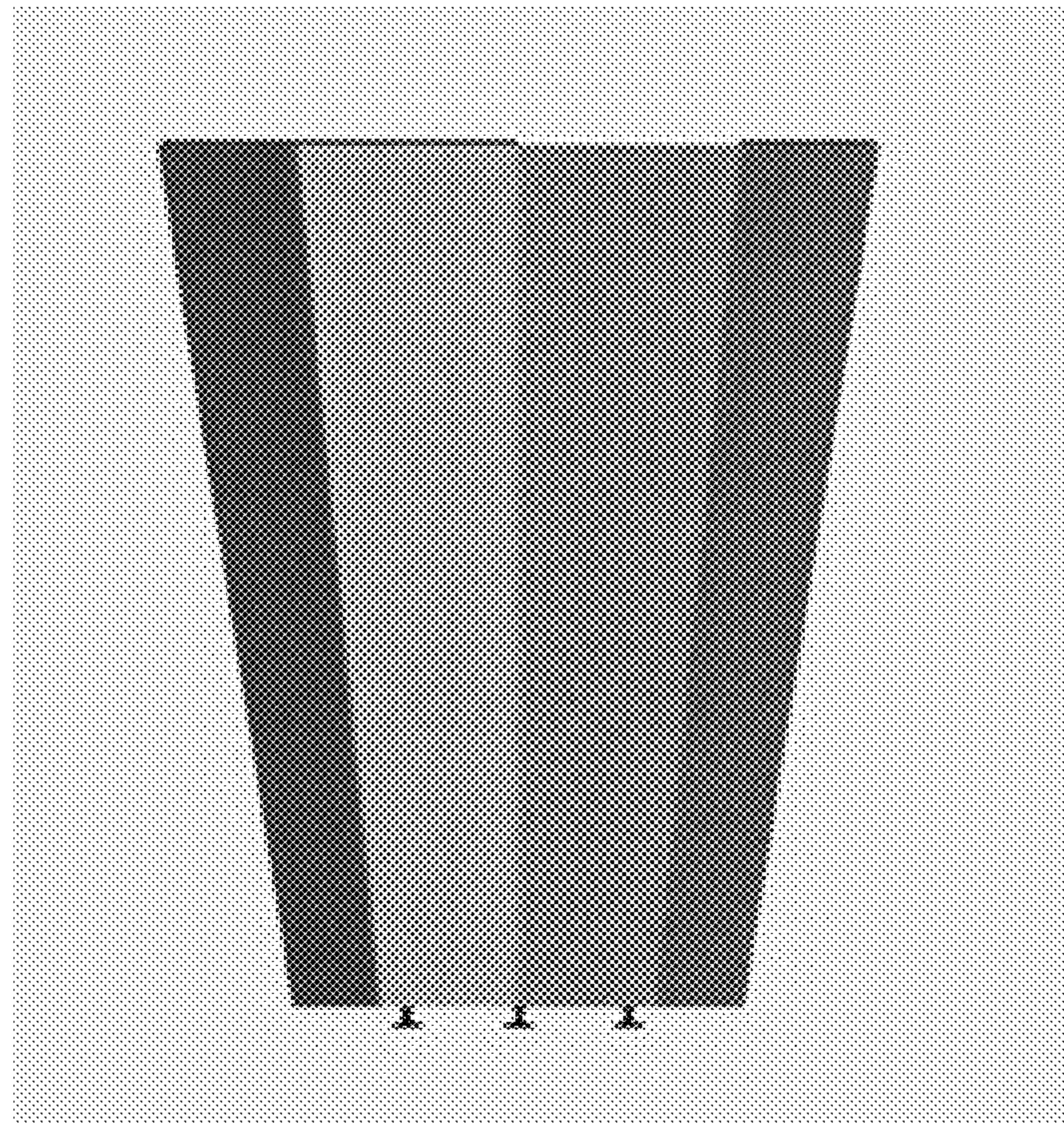
**1.4**



**1.5**



**1.6**





**1.7**

