



US00D929786S

(12) **United States Design Patent**
Carbone et al.

(10) **Patent No.:** **US D929,786 S**
(45) **Date of Patent:** **** Sep. 7, 2021**

(54) **COOKING APPLIANCE**
(71) Applicant: **Revolution Cooking, LLC**, Potomac, MD (US)
(72) Inventors: **Philip C. Carbone**, North Reading, MA (US); **Shannon Galvin**, Chevy Chase, MD (US); **Benjamin Hines**, Cranston, RI (US); **Steffen F. Koury**, Nahant, MA (US); **Paul K. Metaxatos**, Swampscott, MA (US); **Richard Simmers**, Boxford, MA (US)
(73) Assignee: **Revolution Cooking, LLC**, Potomac, MD (US)

(**) Term: **15 Years**

(21) Appl. No.: **29/762,422**

(22) Filed: **Dec. 16, 2020**

Related U.S. Application Data

(62) Division of application No. 29/680,502, filed on Feb. 15, 2019, now Pat. No. Des. 907,949.

(51) **LOC (13) Cl.** **07-02**

(52) **U.S. Cl.**
USPC **D7/330**

(58) **Field of Classification Search**
USPC D7/323, 328-330, 350.1, 390
CPC ... A21B 2/00; A47J 37/00; A47J 37/06; A47J 37/0611; A47J 37/08; A47J 37/0807; A47J 37/0814; A47J 37/0835; A47J 37/0842; A47J 37/085; A47J 37/0857; A47J 37/0864; A47J 37/0878; A47J 37/0885; A47J 37/0892; F24C 15/10; F24C 15/102; H05B 3/16
See application file for complete search history.

(56) **References Cited**

U.S. PATENT DOCUMENTS

2,747,072 A * 5/1956 Lawser A47J 37/08 219/521
2,847,931 A * 8/1958 Saint A47J 37/0814 99/389

4,745,855 A * 5/1988 Younger H05B 3/16 219/521

D304,147 S 10/1989 Takada et al.
D413,040 S 8/1999 Lawrence et al.

(Continued)

Primary Examiner — Ricky Pham

(74) *Attorney, Agent, or Firm* — Wolf, Greenfield & Sacks, P.C.

(57) **CLAIM**

The ornamental design for a cooking appliance, as shown and described.

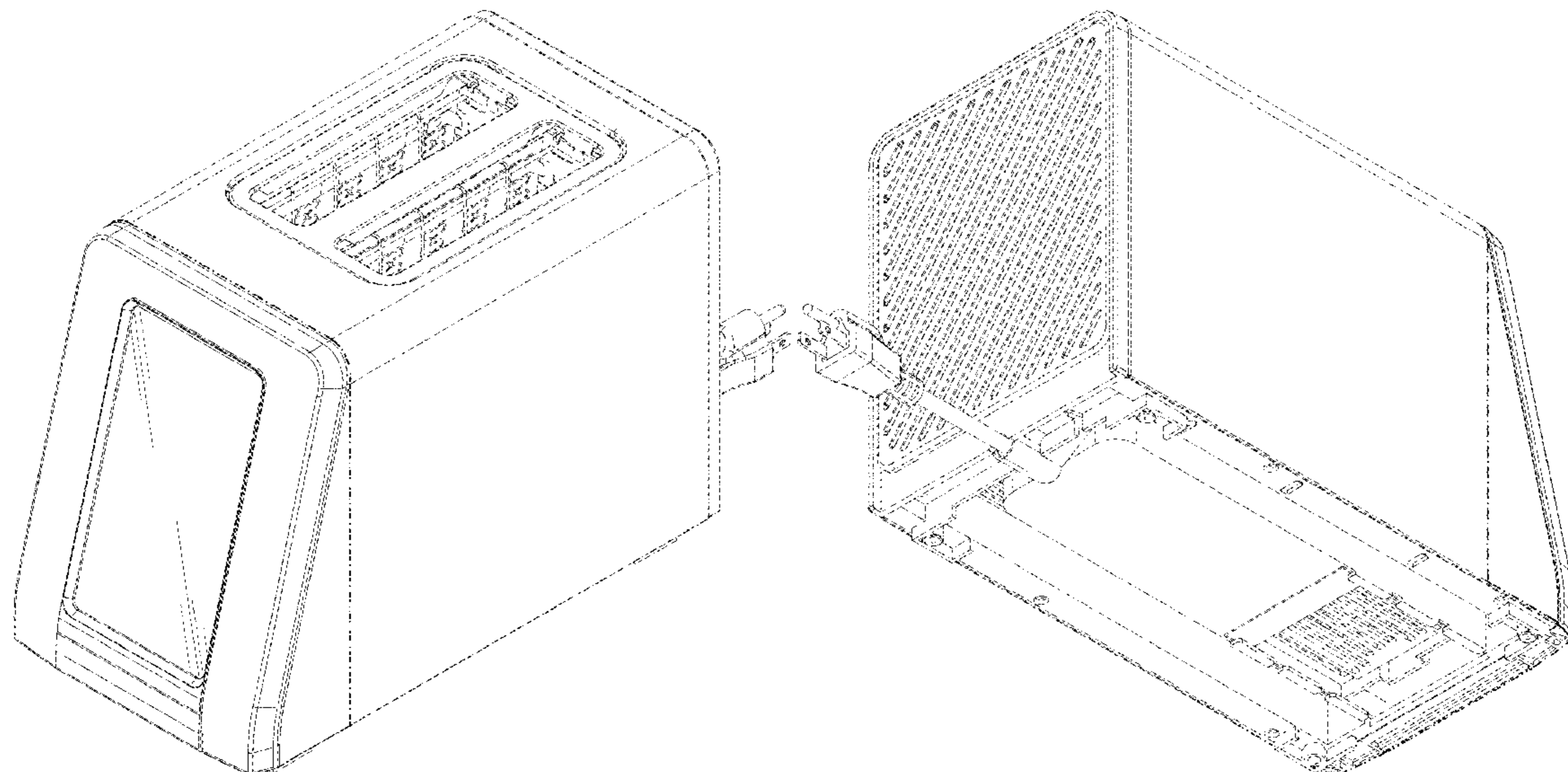
DESCRIPTION

FIG. 1 is an upper, front, right perspective view of the cooking appliance;
FIG. 2 is a lower, rear, left perspective view thereof;
FIG. 3 is a left side view thereof;
FIG. 4 is a right side view thereof;
FIG. 5 is a front view thereof;
FIG. 6 is a rear view thereof;
FIG. 7 is a top view thereof; and,
FIG. 8 is a bottom view thereof.

The cooking appliance can alternatively be referred to as an appliance, a heating appliance, or a toaster. The cooking appliance can be operated to cook a food product such as bread. Cooking includes, but is not limited to, heating, drying, and/or toasting.

The dashed lines in the drawings represent portions of the cooking appliance that form no part of the claimed design. The dot dash lines in the drawings represent boundaries of the claimed design and form no part thereof, i.e., portions rearward of the dot dash boundary line as seen in FIG. 1 form no part of the claimed design. The surface shading represents a display screen.

1 Claim, 7 Drawing Sheets



(56)

References Cited

U.S. PATENT DOCUMENTS

D425,749	S *	5/2000	Homayoun	D7/350.4
6,116,149	A *	9/2000	Benedictus	A47J 37/0814
				219/521
6,415,709	B1 *	7/2002	Jackson	A47J 37/0814
				219/521
D461,089	S	8/2002	Ceah et al.	
6,429,407	B1 *	8/2002	Garber	A47J 37/0814
				219/386
6,476,360	B1 *	11/2002	Huggler	A47J 37/08
				219/386
6,502,502	B1 *	1/2003	Sutton	A47J 37/0814
				99/329 P
6,675,700	B2 *	1/2004	Hong	A47J 37/0857
				219/492
D489,220	S	5/2004	Brady	
D489,565	S	5/2004	Averty	
D524,088	S	7/2006	Boyle et al.	
D528,348	S	9/2006	Averty	
7,351,939	B2 *	4/2008	Boyle	A47J 37/0857
				219/386
8,015,916	B2 *	9/2011	Pan	A47J 37/0814
				99/388
D661,940	S	6/2012	Averty	
D721,532	S	1/2015	Burrows	
D825,251	S	8/2018	Schrepfer	
D907,949	S *	1/2021	Carbone	D7/330

* cited by examiner

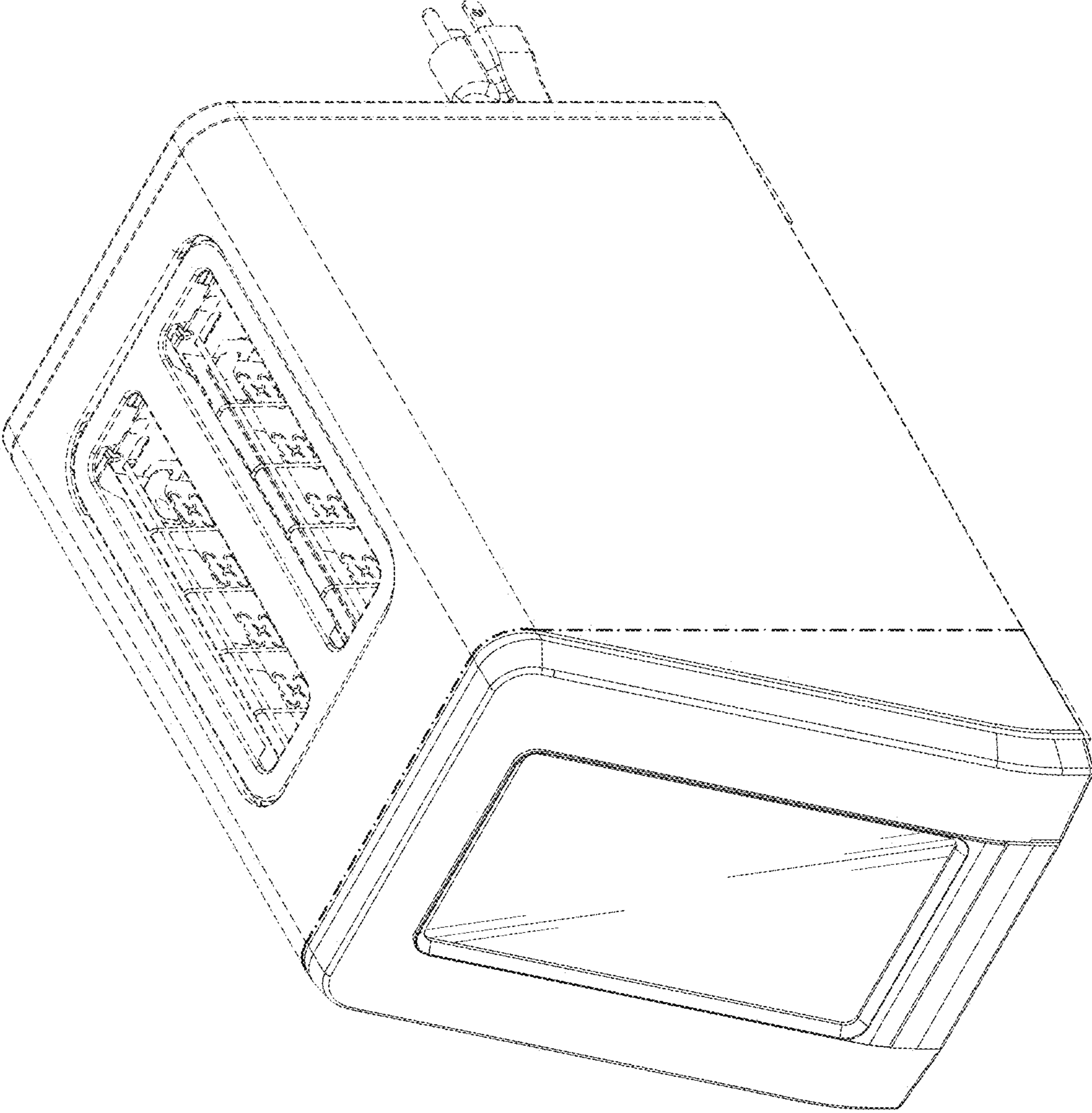


FIG. 1

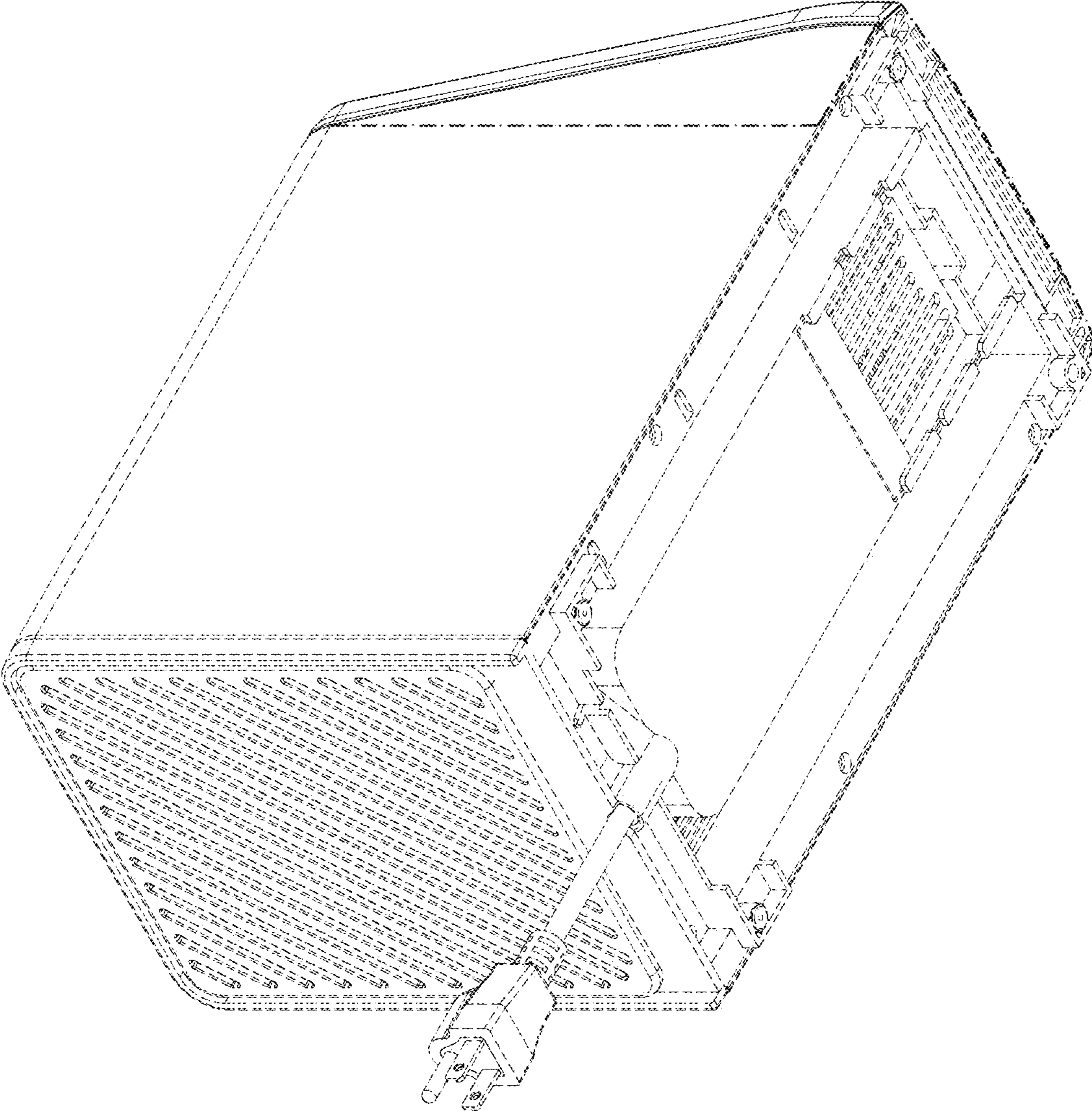


FIG. 2

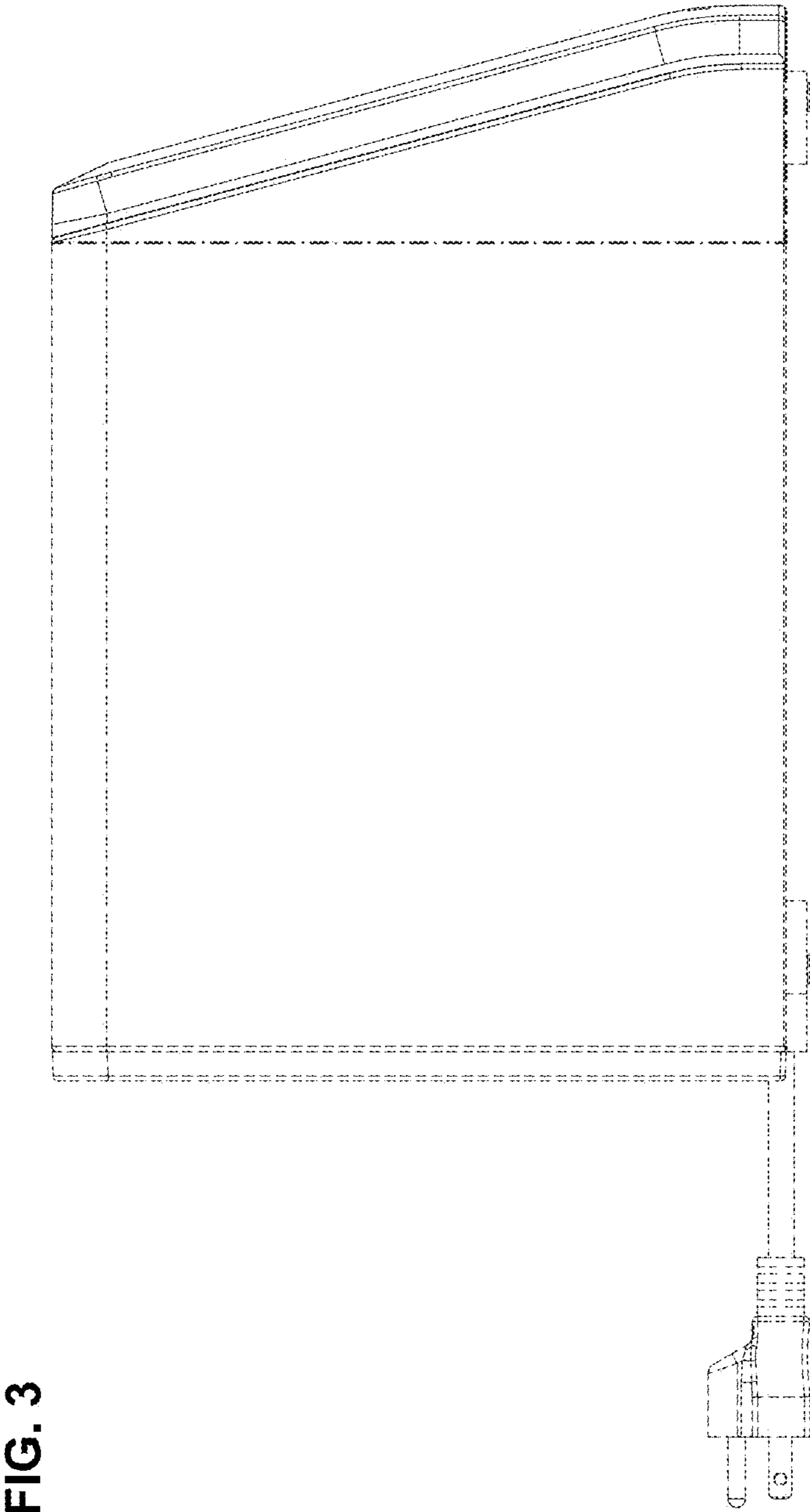


FIG. 3

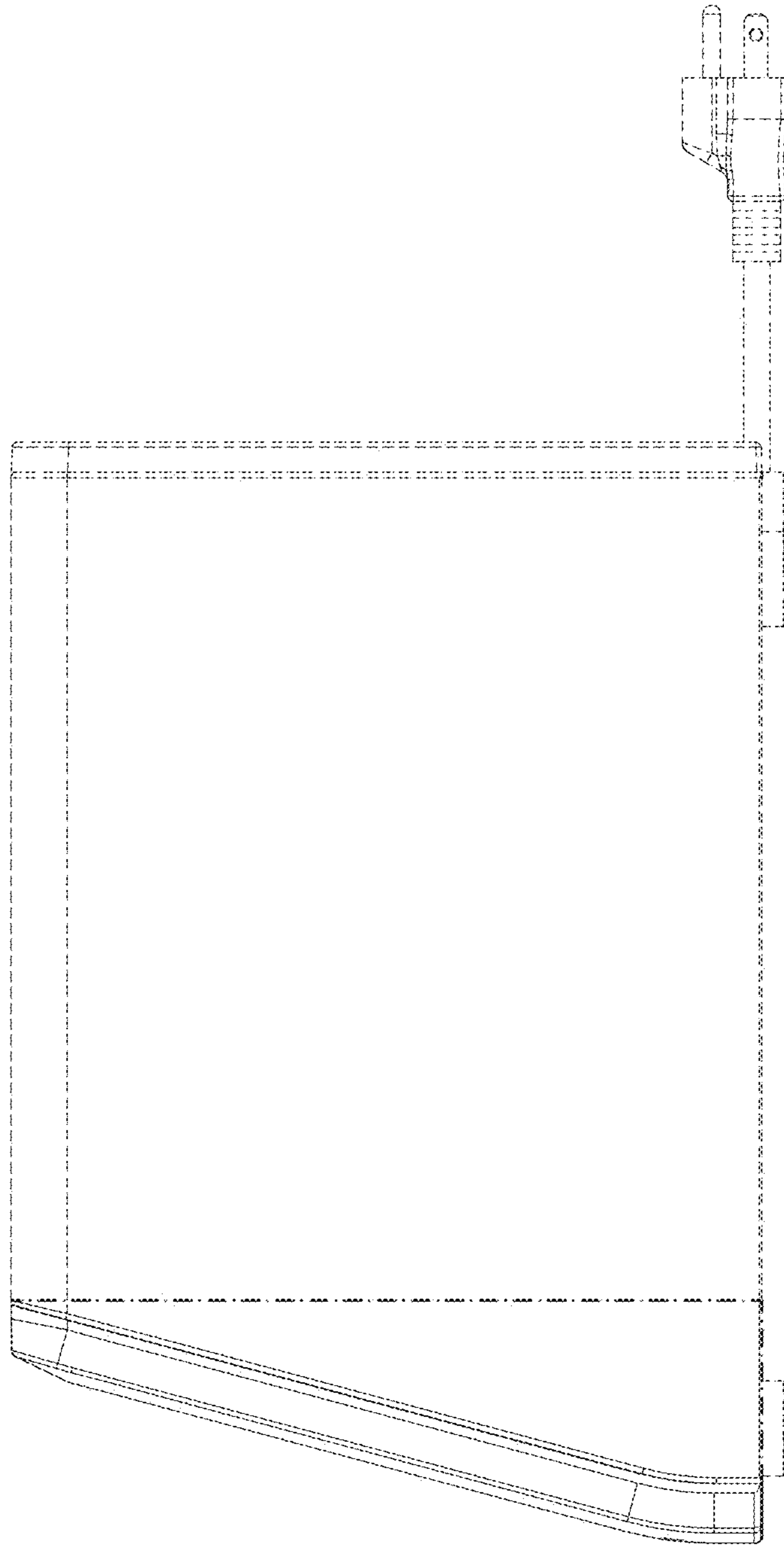


FIG. 4

FIG. 6

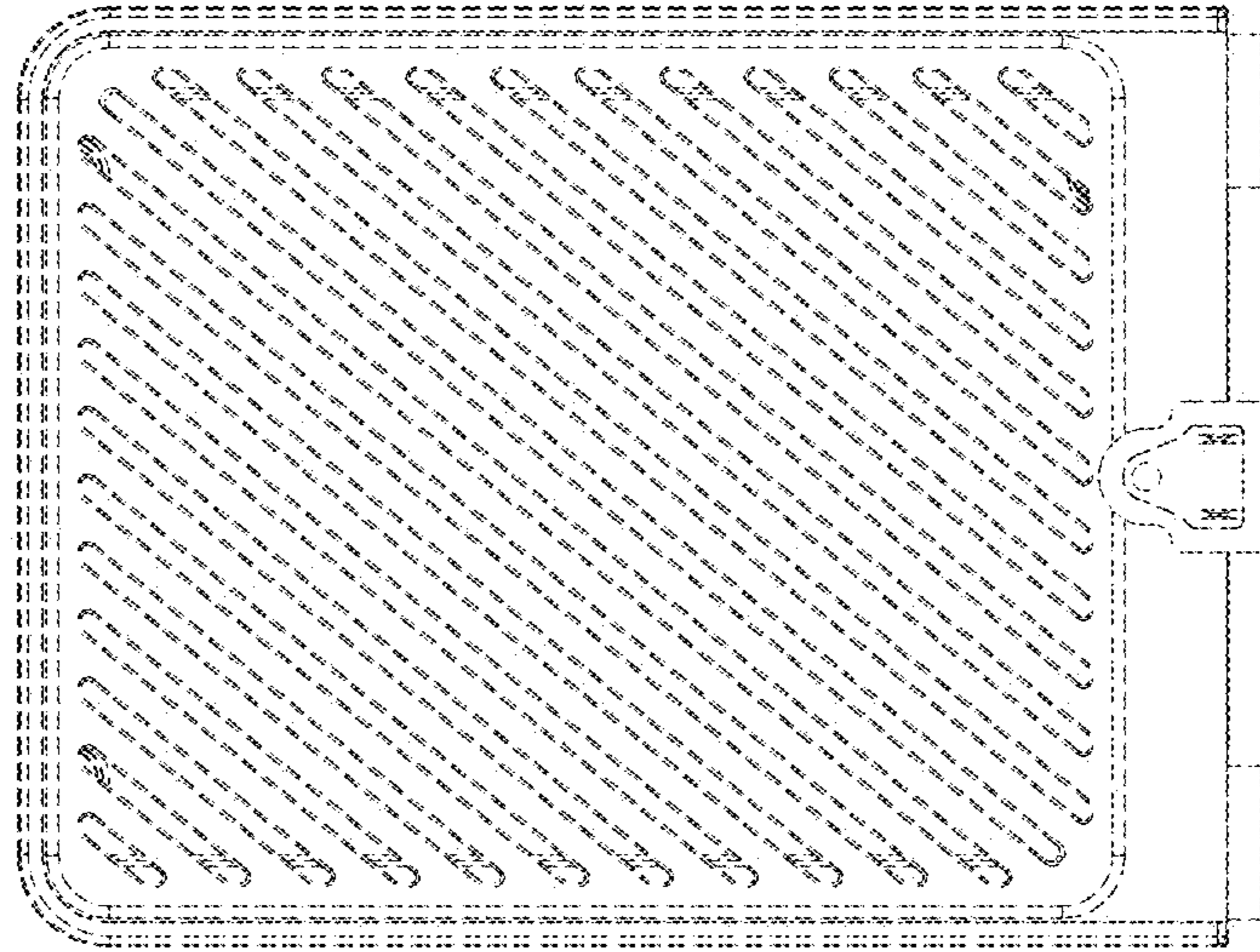
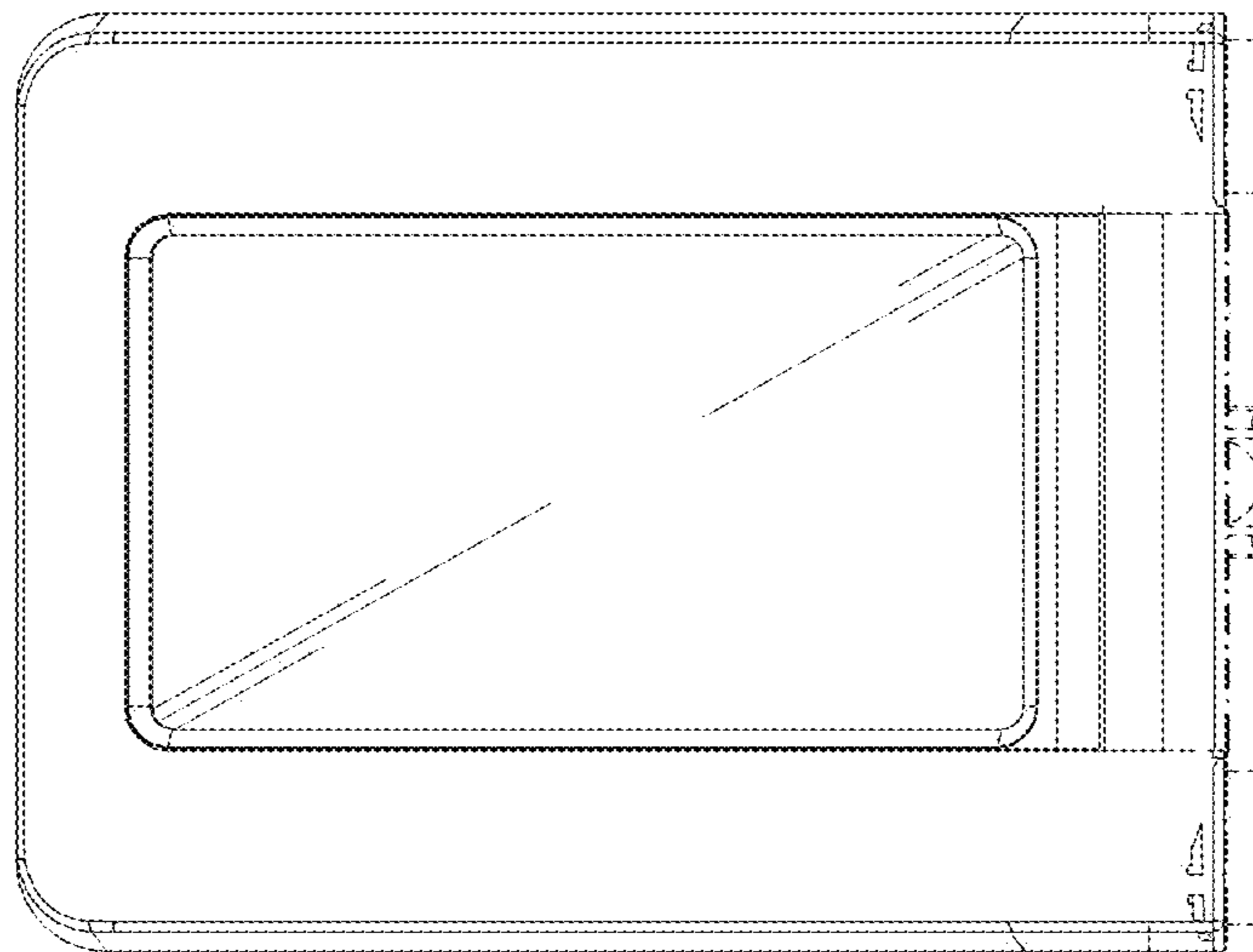


FIG. 5



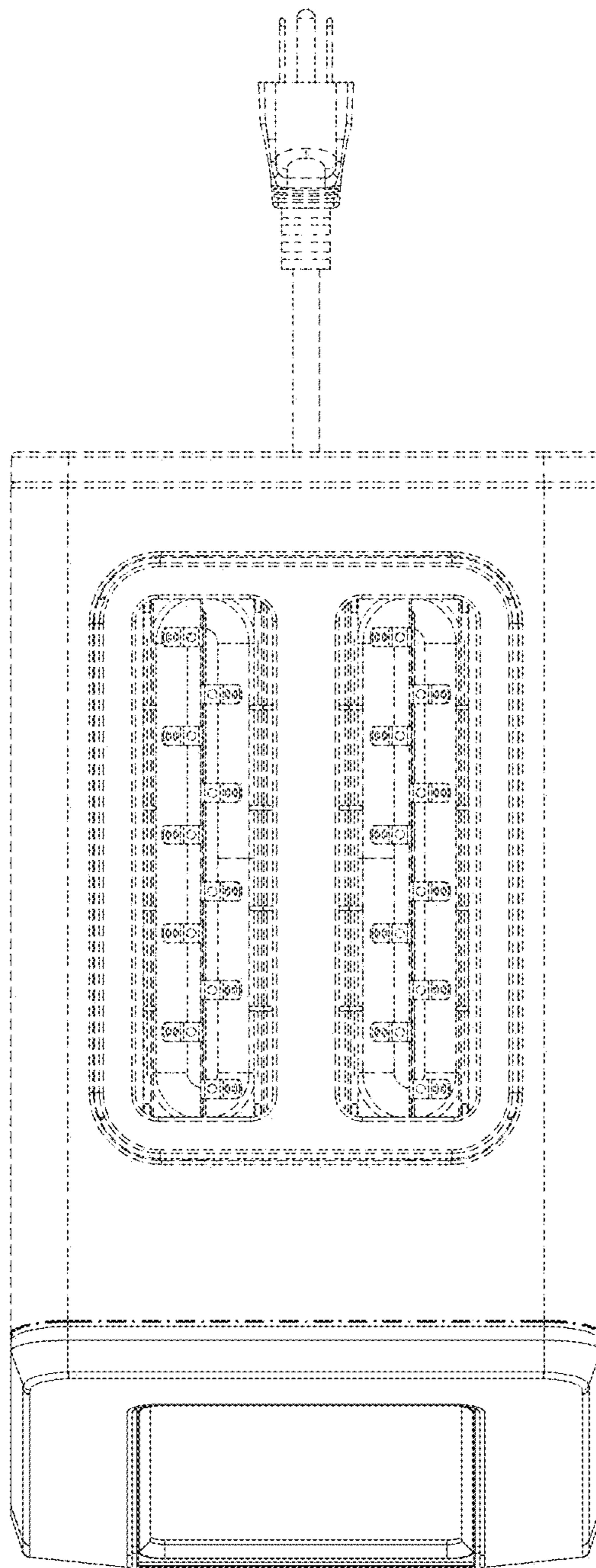


FIG. 7

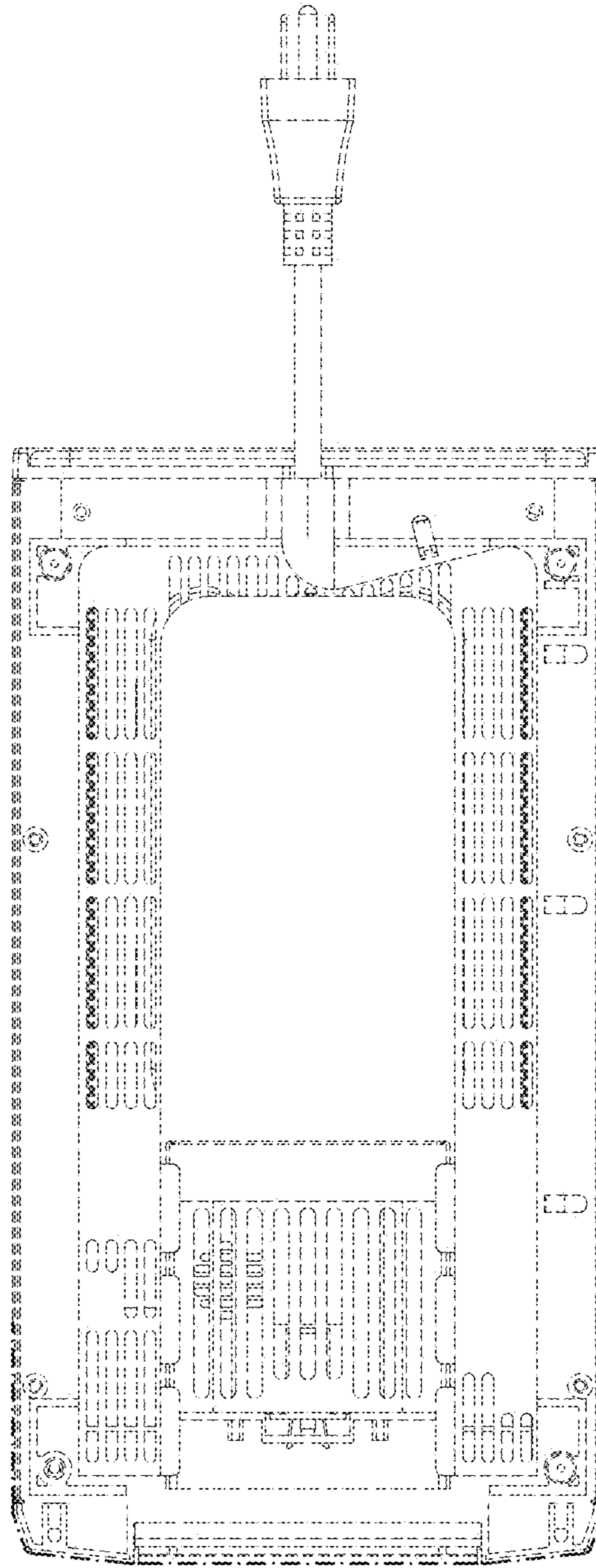


FIG. 8