



US00D929785S

(12) **United States Design Patent** (10) **Patent No.:** **US D929,785 S**
Yoo et al. (45) **Date of Patent:** **** Sep. 7, 2021**

(54) **FEEDING BOTTLE WARMER**

A23G 9/045; A23N 1/00; A23N 1/02;
B01F 3/00;

(71) Applicant: **LG ELECTRONICS INC.**, Seoul
(KR)

(Continued)

(72) Inventors: **Taewoo Yoo**, Seoul (KR); **Nayeoung Kim**, Seoul (KR); **Jinsu Kim**, Seoul (KR); **Kyoungmin Baek**, Seoul (KR); **Hyojin Won**, Seoul (KR); **Hyunwoo Yoo**, Seoul (KR); **Hyejin Choi**, Seoul (KR)

(56) **References Cited**

U.S. PATENT DOCUMENTS

D479,940 S * 9/2003 English D7/338
D486,990 S * 2/2004 Rizley D7/326

(Continued)

OTHER PUBLICATIONS

Signature Touch 3 Qt. Round Warmer with 3 Bottles, announced © 2003-2020 [online], retrieved Nov. 29, 2020, retrieved from internet, https://www.webstaurantstore.com/server-sbw-86810-signature-touch-3-qt-round-warmer-with-3-bottles-120v-500w/71886810.html?utm_source=google&utm_medium=cpc&utm_campaign=GoogleShop.*

(Continued)

Primary Examiner — Dana K Weiland
Assistant Examiner — Messina L Smith

(74) *Attorney, Agent, or Firm* — Birch, Stewart, Kolasch & Birch LLP

(73) Assignee: **LG ELECTRONICS INC.**, Seoul
(KR)

(**) Term: **15 Years**

(21) Appl. No.: **29/712,224**

(22) Filed: **Nov. 6, 2019**

(30) **Foreign Application Priority Data**

May 10, 2019 (WO) 83403

(51) **LOC (13) Cl.** **07-02**

(52) **U.S. Cl.**
USPC **D7/326**

(58) **Field of Classification Search**

USPC D7/306, 309, 323, 326, 327, 338, 372,
D7/373, 374, 375, 376, 377, 378, 379,
D7/380, 381, 382, 383, 384, 385, 386,
D7/402, 412, 413, 598, 602, 612, 629,
D7/694, 669, 679, 619.1; D99/5;
D9/519, 529, 549

CPC .. A47J 43/04; A47J 43/25; A47J 43/27; A47J
43/042; A47J 43/044; A47J 43/046; A47J
43/075; A47J 43/0722; A47J 43/0727;
A47J 42/40; A21C 1/02; A21C 1/04;

(57) **CLAIM**

The ornamental design for a feeding bottle warmer, as shown and described.

DESCRIPTION

FIG. 1 is a front perspective view of the feeding bottle warmer;
FIG. 2 is a front view thereof;
FIG. 3 is a rear view thereof;
FIG. 4 is a left view thereof;
FIG. 5 is a right view thereof;
FIG. 6 is a top view thereof;
FIG. 7 is a bottom view thereof;
FIG. 8 is a back perspective view thereof; and,

(Continued)

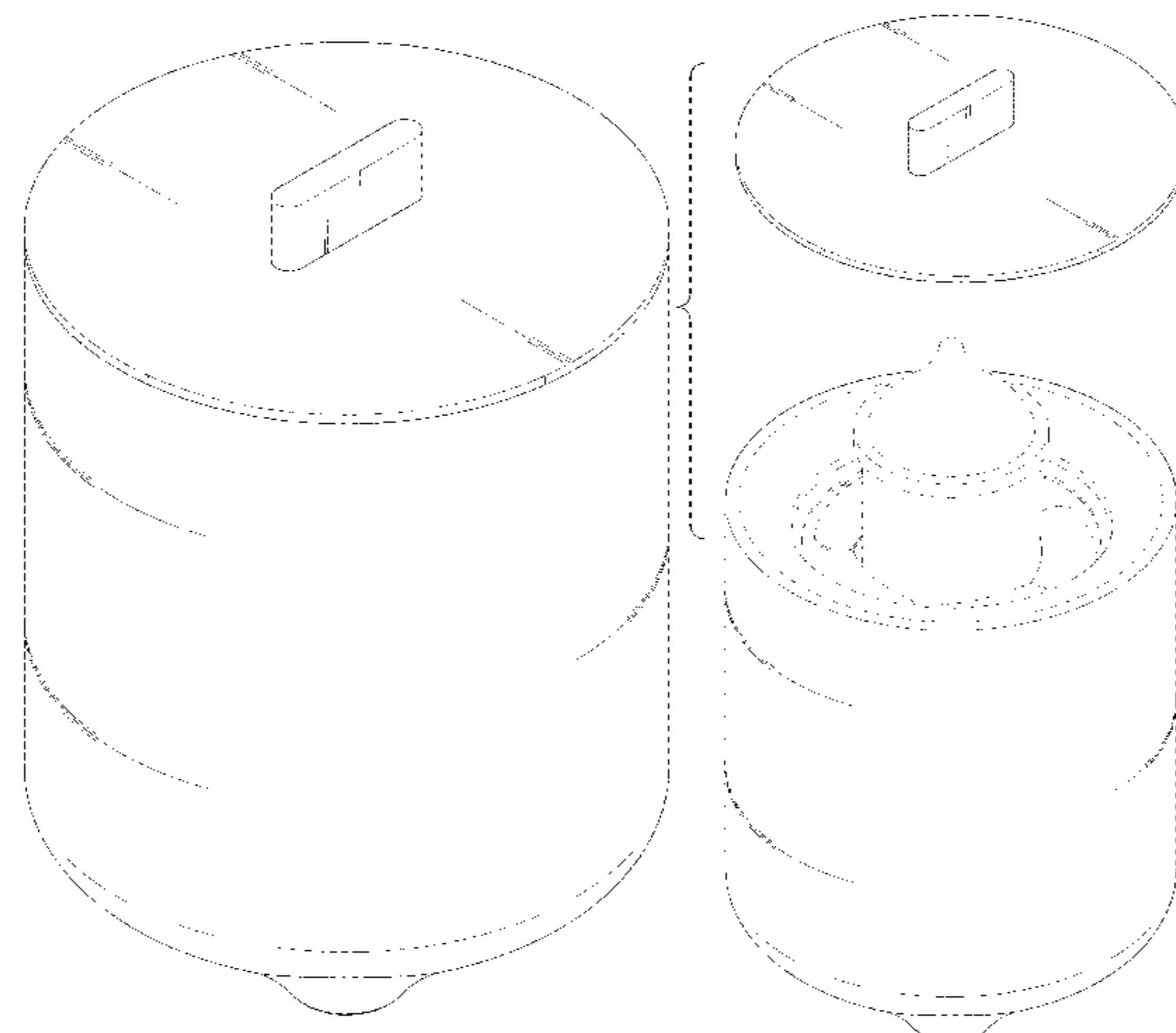


FIG. 9 is an exploded view of the feeding bottle warmer shown in an environment of use with a feeding bottle inserted into the warmer.

The broken line showing of the bottle in FIG. 9 is for environmental purposes only and forms no part of the claimed design. All other broken lines in the drawings depict portions of the feeding bottle warmer that form no part of the claimed design.

1 Claim, 9 Drawing Sheets

(58) **Field of Classification Search**

CPC . B01F 3/0807; B01F 3/0853; B01F 13/0059; B01F 13/0064; B02C 1/08; B02C 4/42; B02C 4/142; B02C 4/143; B02C 4/423; B02C 13/1835; B28C 5/10; B28C 5/12; B28C 5/14; B28C 5/16

See application file for complete search history.

(56) **References Cited**

U.S. PATENT DOCUMENTS

D530,141	S *	10/2006	Wilgus	D7/313
7,806,354	B2 *	10/2010	de Groot	A47J 42/40
					241/169.1
D685,599	S *	7/2013	Miller	D7/306
D738,111	S *	9/2015	Otto	D3/302
D789,152	S *	6/2017	Wall	D7/584
D867,806	S *	11/2019	Bodum	D7/377
D867,807	S *	11/2019	Bodum	D7/377
D881,653	S *	4/2020	Serrahima	D7/602
D887,792	S *	6/2020	Basios	D7/629
10,737,841	B1 *	8/2020	Duong	A45D 33/18
D894,662	S *	9/2020	Beneteau	D7/326

D897,752	S *	10/2020	Zhang	D7/326
D900,530	S *	11/2020	Kim	D7/373
2010/0212419	A1 *	8/2010	Radhakrishnan	A47J 31/50
					73/304 C
2013/0248531	A1 *	9/2013	Lane	A47J 47/02
					220/262
2014/0319249	A1 *	10/2014	Smith	A47J 43/25
					241/24.1
2016/0100715	A1 *	4/2016	Staiano	A47J 42/00
					241/79
2019/0276208	A1 *	9/2019	Becker	B65D 43/0231
2020/0102128	A1 *	4/2020	Bacher	B65D 51/165

OTHER PUBLICATIONS

Tommee Tippee Easi-Warm Baby Bottle And Food Warmer, announced 2019 [online], retrieved Nov. 29, 2020, retrieved from internet, https://www.target.com/p/tommee-tippee-easi-warm-bottle-and-food-warmer/-/A-76513688?ref=tgt_adv_XS000000&AFID=google_pla_df&findsrc=gtao&DFA=71700000012510679&CPNG=PLA_Bab.*

Best Bottle Sterilizers to Buy in 2020, announced Oct. 15, 2020 [online], retrieved Nov. 29, 2020, retrieved from internet, <https://coolthingschicago.com/bottle-sterilizer/>.*

Cole-Parmer Utility Tank with Lid, announced © 2020 [online], retrieved Nov. 29, 2020, retrieved from internet, https://www.coleparmer.com/i/cole-parmer-utility-tank-with-lid-304-stainless-steel-11-l-each/0723103.*

White Metal Nesting Kitchen Canisters with Air Tight Lids, announced © 2020 [online], retrieved Nov. 29, 2020, retrieved from internet, https://outshineco.com/products/white-metal-nesting-kitchen-canisters-with-air-tight-lids-3pcs.*

4 Pc. Polished Copper Canister, no announcement date [online], retrieved Nov. 29, 2020, retrieved from internet, https://olddutchco.com/pantryware/4-pc-polished-copper-canister-set-with-brass-knobs-4qt-2qt-1-qt-1-qt.*

* cited by examiner

FIG. 1

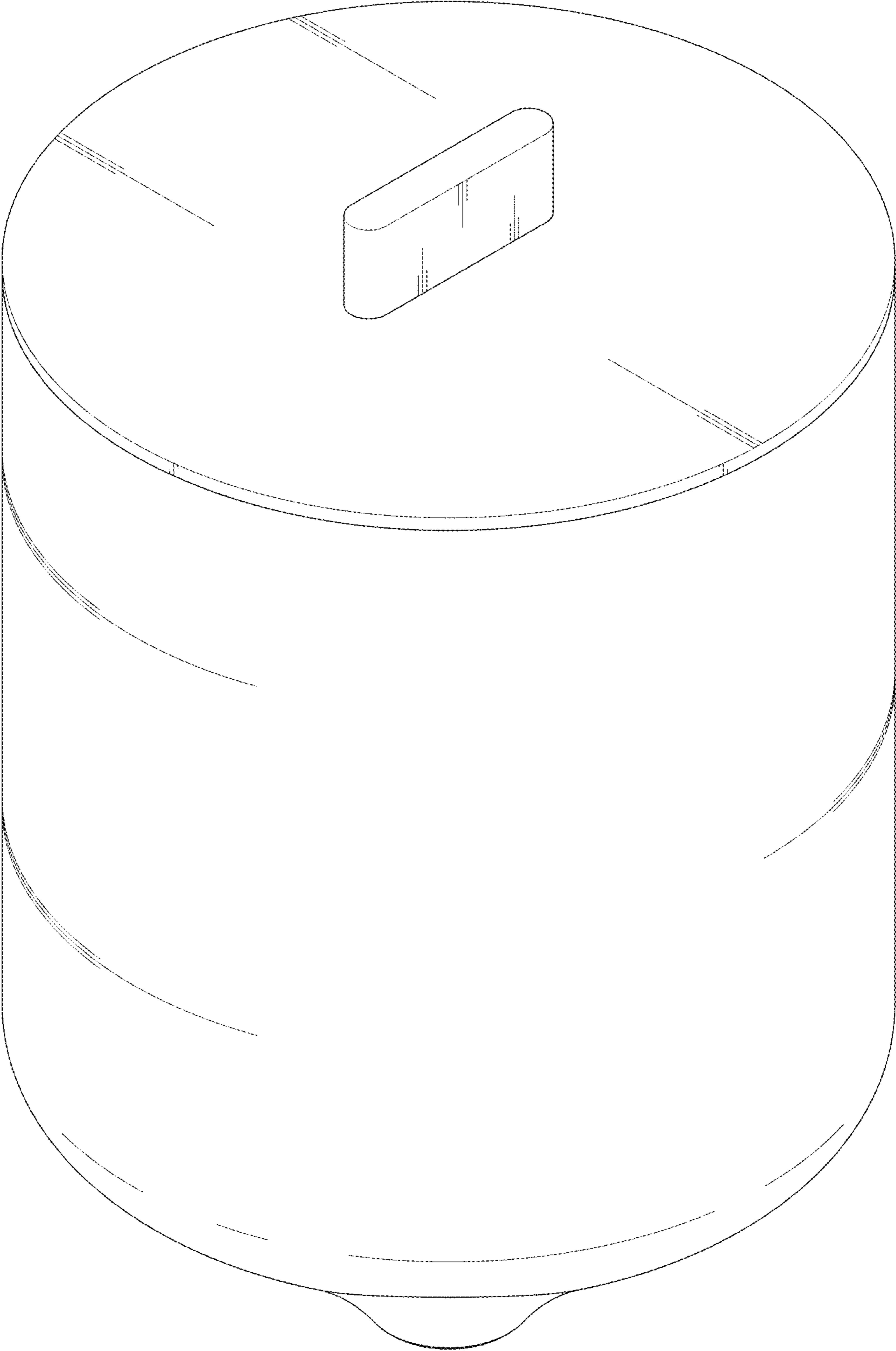


FIG. 2

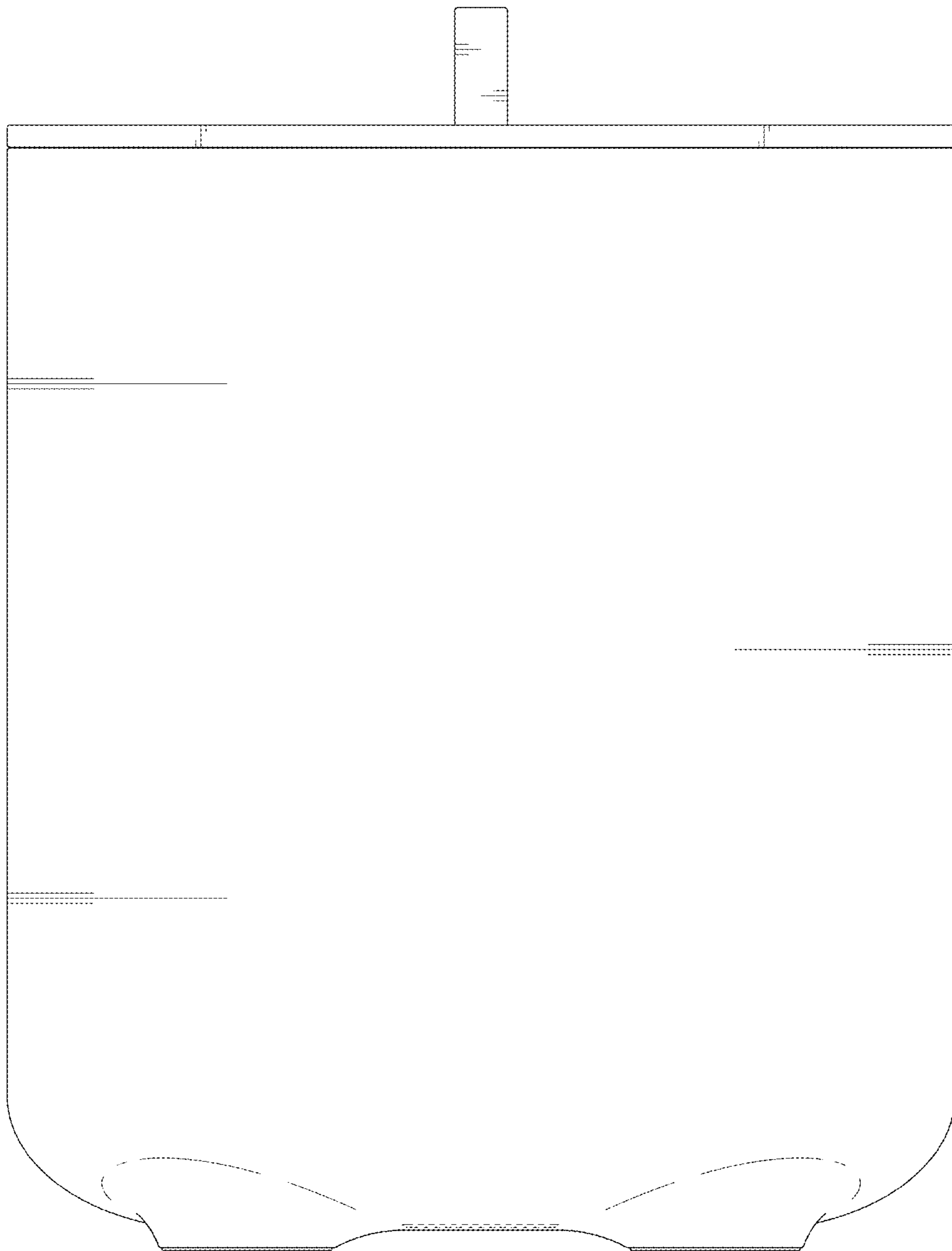


FIG. 3

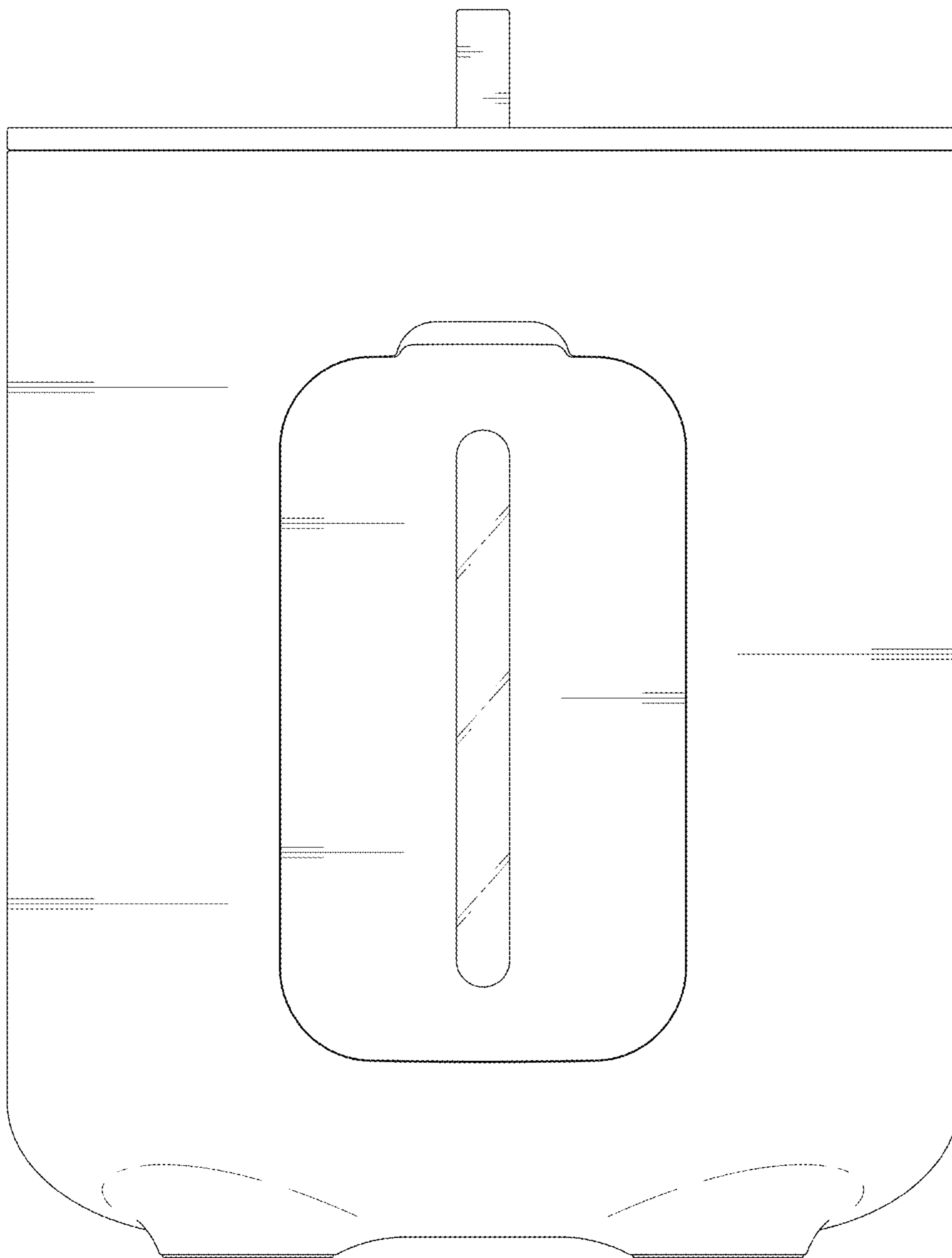


FIG. 4

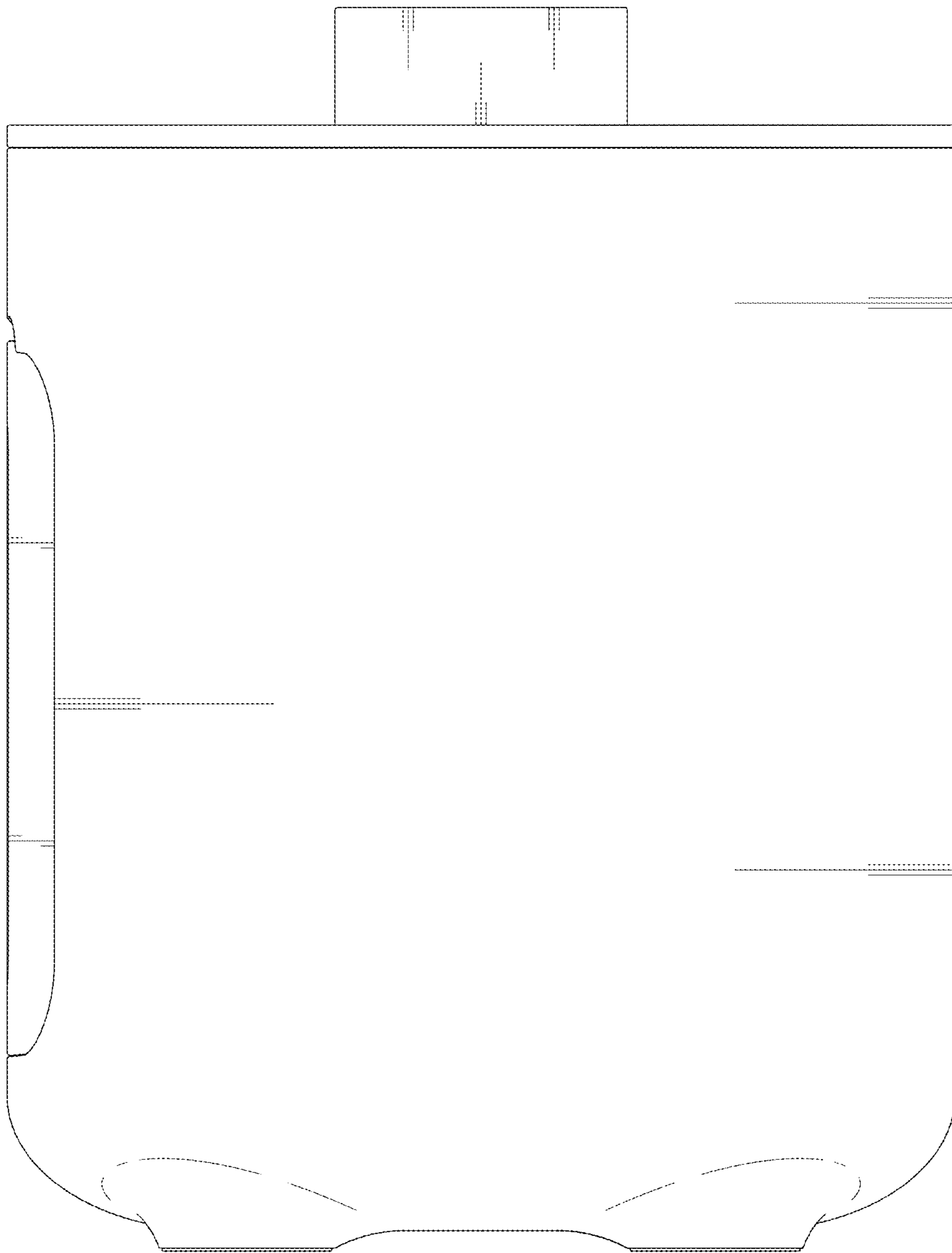


FIG. 5

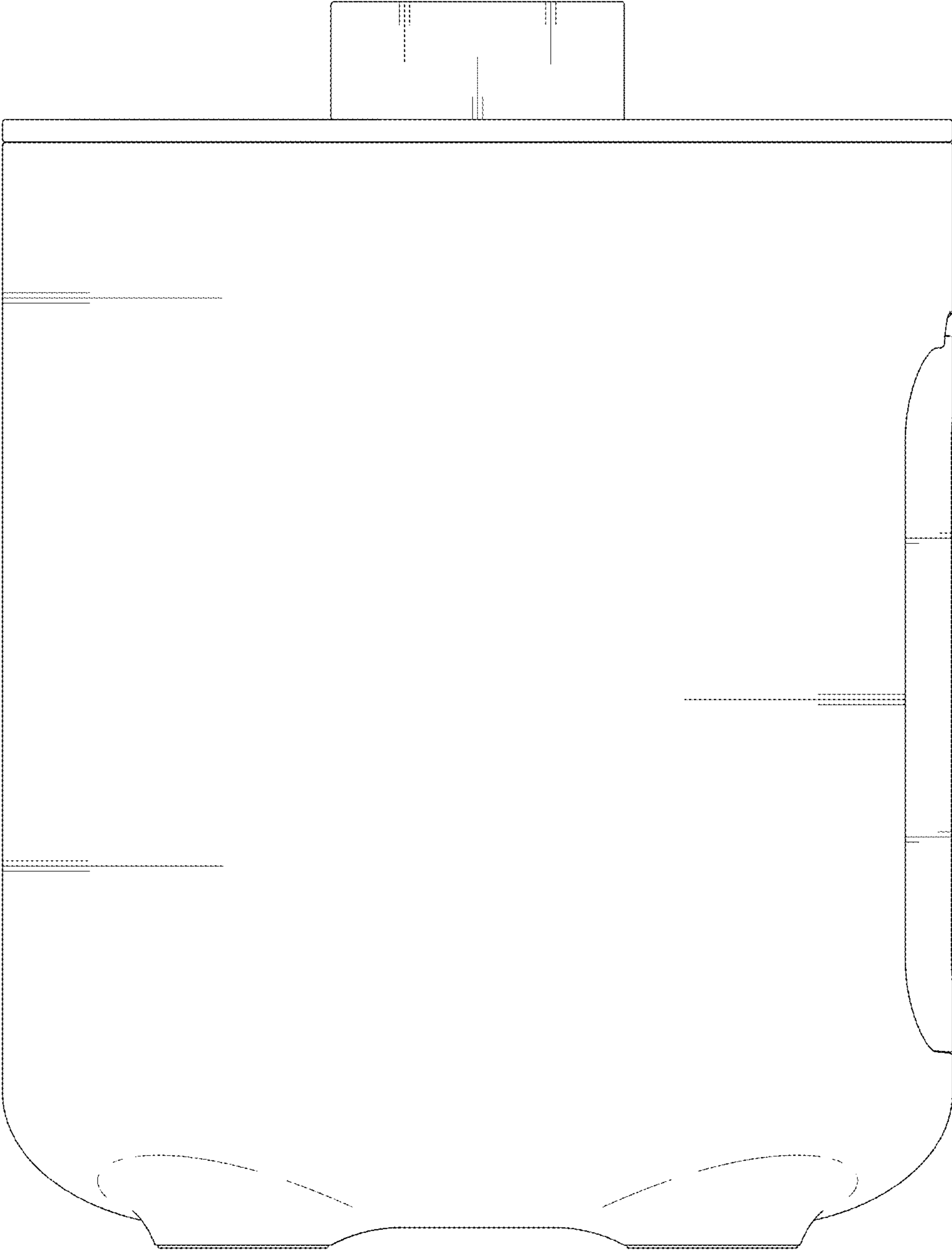


FIG. 6

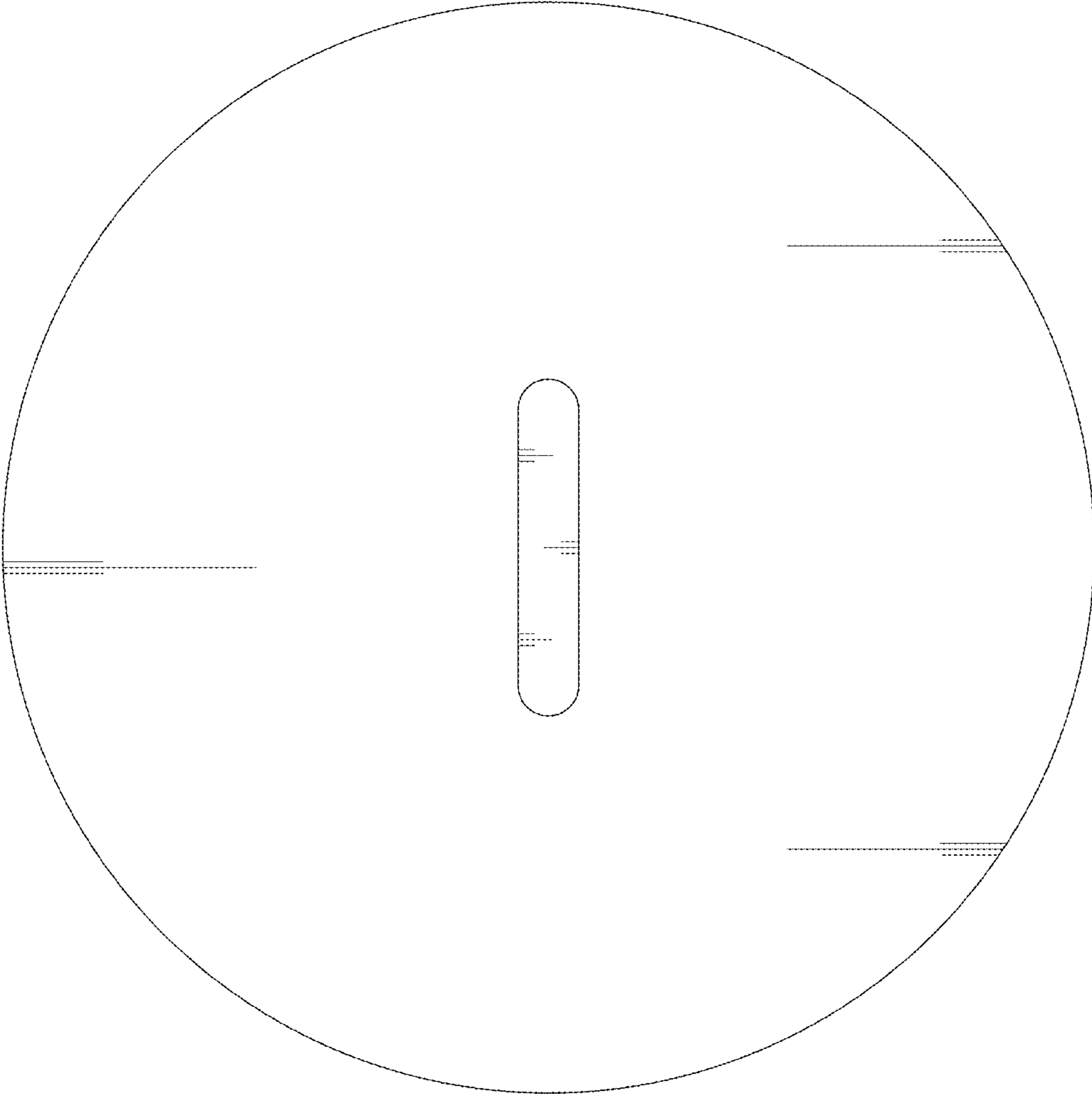


FIG. 7

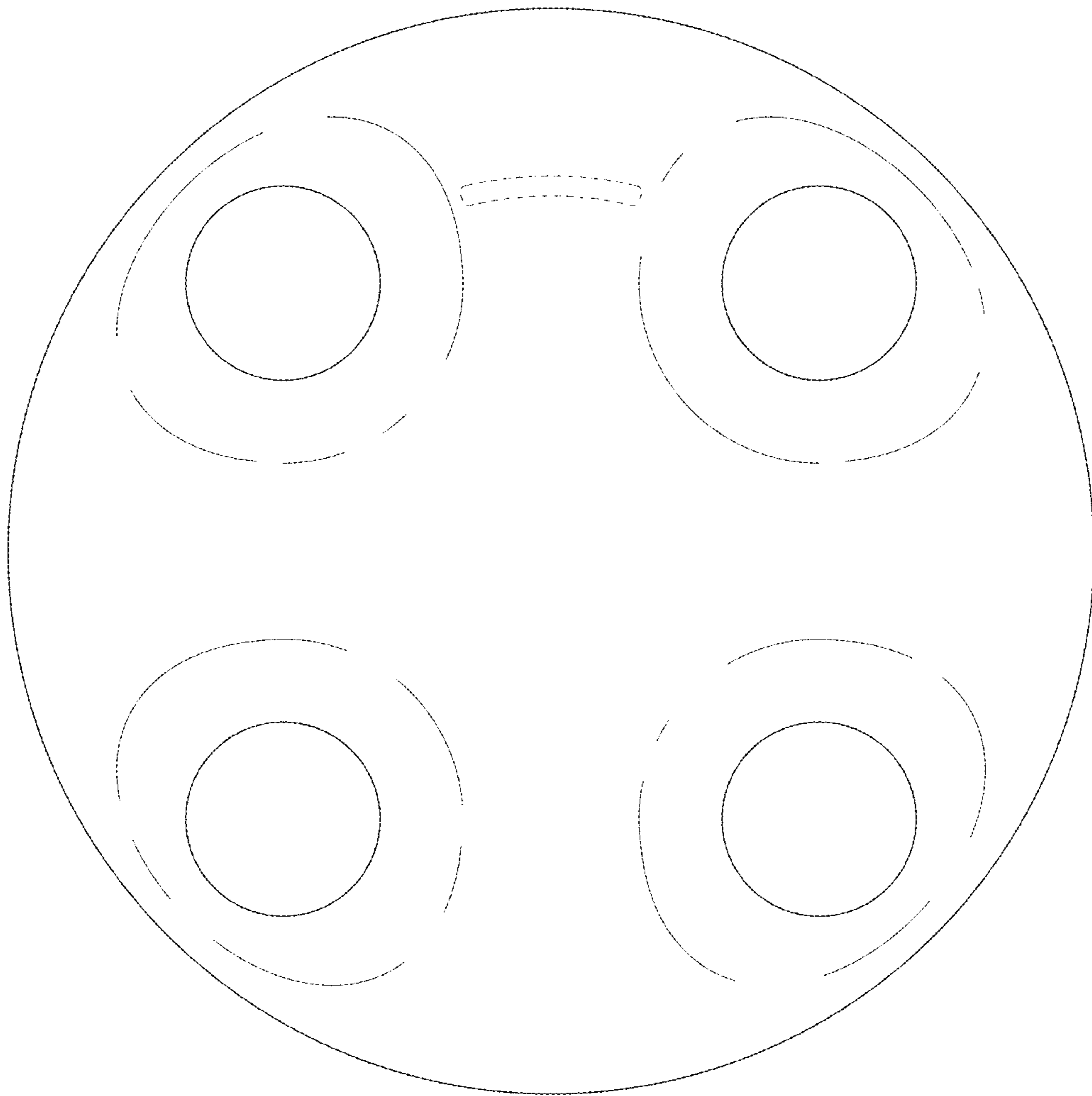


FIG. 8

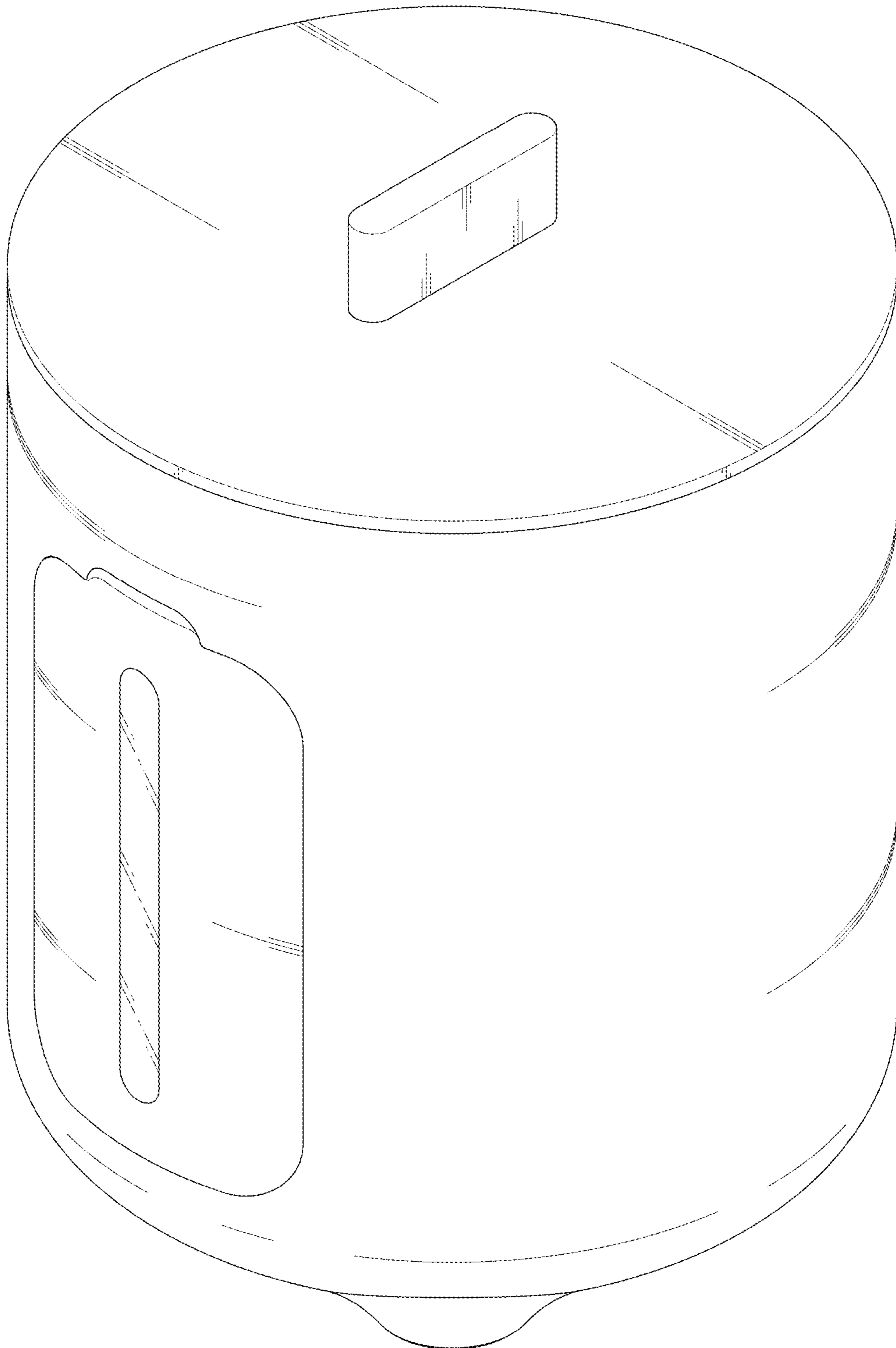


FIG. 9

