



US00D929775S

(12) **United States Design Patent** (10) **Patent No.:** **US D929,775 S**
Templeton (45) **Date of Patent:** **** *Sep. 7, 2021**

(54) **SEAT COVER**

- (71) Applicant: **Gordon Templeton**, Winnipeg (CA)
- (72) Inventor: **Gordon Templeton**, Winnipeg (CA)
- (*) Notice: This patent is subject to a terminal disclaimer.
- (**) Term: **15 Years**
- (21) Appl. No.: **29/671,362**
- (22) Filed: **Nov. 27, 2018**
- (51) **LOC (13) Cl.** **06-13**
- (52) **U.S. Cl.**
USPC **D6/611**
- (58) **Field of Classification Search**
USPC D3/232, 276; D6/356, 596, 601, 608, D6/610, 611, 613, 616; D12/401, 416
CPC A47C 27/00; A47C 27/001; A47C 27/002; A47C 31/10; A47C 31/11; A47C 31/113; A47C 31/116; A47C 4/28; A47C 7/021; A47C 7/0213; A47C 7/024; A47C 7/22; A47C 7/386; A47C 7/42; A47C 7/68; A47C 4/52; B60N 2/58; B60N 2/60; B60N 2/6009; B60N 2/6018; A45C 2009/002; A45F 2004/026
See application file for complete search history.

(56) **References Cited**

U.S. PATENT DOCUMENTS

- 1,951,527 A * 3/1934 Oas A45F 4/02 190/109
- 2,546,109 A * 3/1951 Puchalsky A47C 31/11 297/229
- 2,729,278 A * 1/1956 Waranch A47C 31/11 297/224
- 3,532,378 A * 10/1970 Dalia A45C 9/00 297/118

(Continued)

FOREIGN PATENT DOCUMENTS

EM 005228897-0001 * 4/2018

OTHER PUBLICATIONS

FurHaven Pet Water-Resistant Car Seat Cover [online], [site visited May 19, 2020]. Available from internet, URL: <https://www.overstock.com/Pet-Supplies/FurHaven-Pet-Water-Resistant-Car-Seat-Cover/14399264/product.html> (Year: 2020).*

Primary Examiner — Cynthia Ramirez
Assistant Examiner — Xavier Marti-Santos
(74) *Attorney, Agent, or Firm* — Ryan W. Dupuis; Kyle R. Satterthwaite; Ade & Company Inc.

(57) **CLAIM**

The ornamental design for a seat cover, as shown and described.

DESCRIPTION

FIG. 1 is a perspective view of the seat cover in a deployed position, showing a top, a front, and a right side of the seat cover.

FIG. 2 is a perspective view of the seat cover in the deployed position, showing a bottom, a rear, and a right side of the seat cover.

FIG. 3 is a front elevational view of the seat cover in the deployed position.

FIG. 4 is a right side elevational view of the seat cover in the deployed position in which the left side view is a mirror image of the right side elevational view shown.

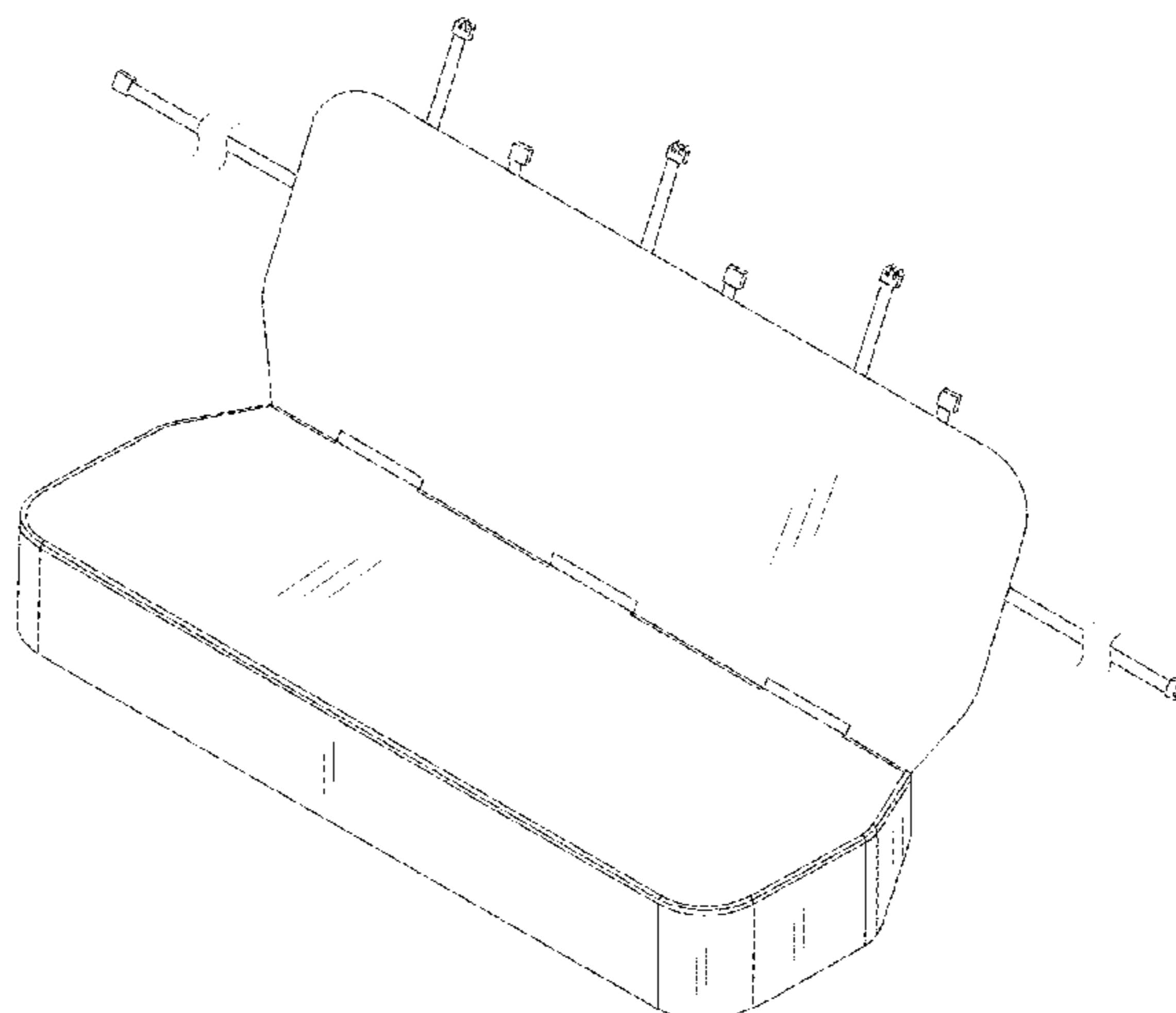
FIG. 5 is a rear elevational view of the seat cover in the deployed position.

FIG. 6 is a top plan view of the seat cover in the deployed position; and,

FIG. 7 is a bottom plan view of the seat cover in the deployed position.

Some of the straps of the seat cover are shown with a symbolic break in their length. The appearance of any portion of the straps between the break lines forms no part of the claimed design.

1 Claim, 7 Drawing Sheets



(56)

References Cited

U.S. PATENT DOCUMENTS

4,190,918 A * 3/1980 Harvell A47C 4/52
190/1
D258,482 S * 3/1981 Strock 5/653
5,938,336 A * 8/1999 King A47C 31/11
224/42.11
D500,623 S * 1/2005 Jones D6/611
D600,488 S * 9/2009 Siklosi D6/611
D601,376 S * 10/2009 Siklosi D6/611
D674,648 S * 1/2013 Galinski D6/611
9,845,033 B1 * 12/2017 Umlauf B60N 2/6027
10,406,951 B2 * 9/2019 Leon Guerrero B60N 2/36

* cited by examiner

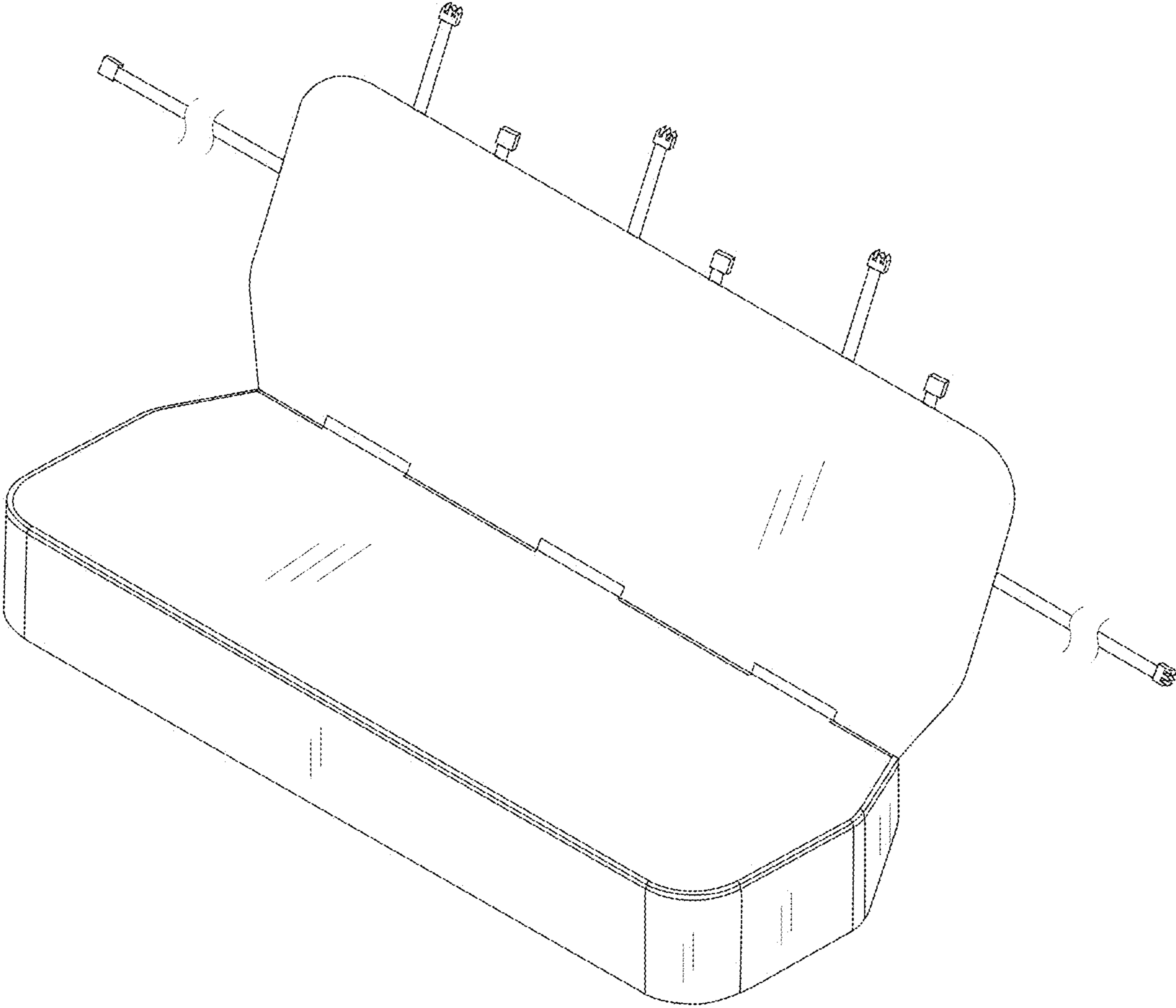


FIG. 1

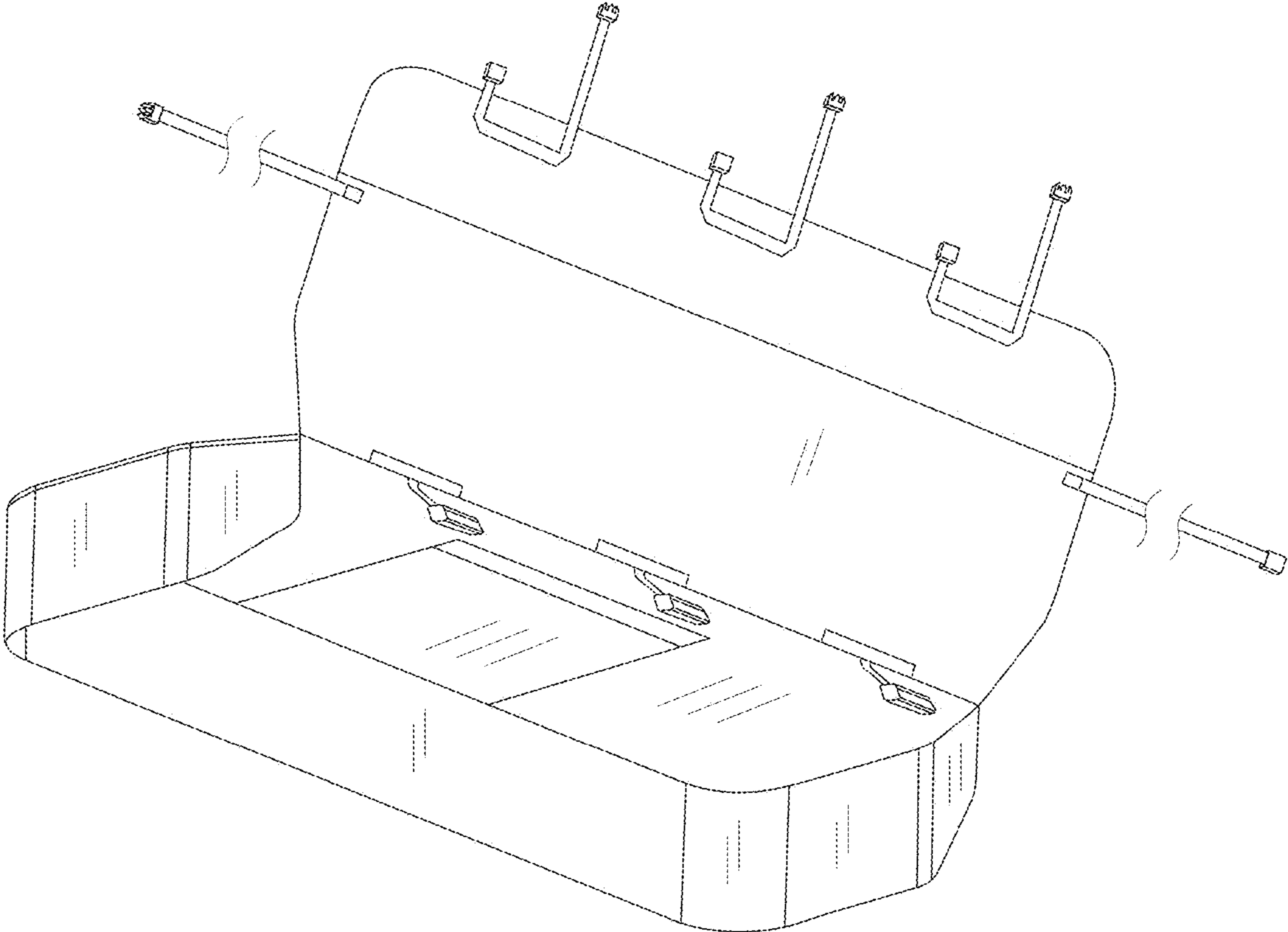


FIG. 2

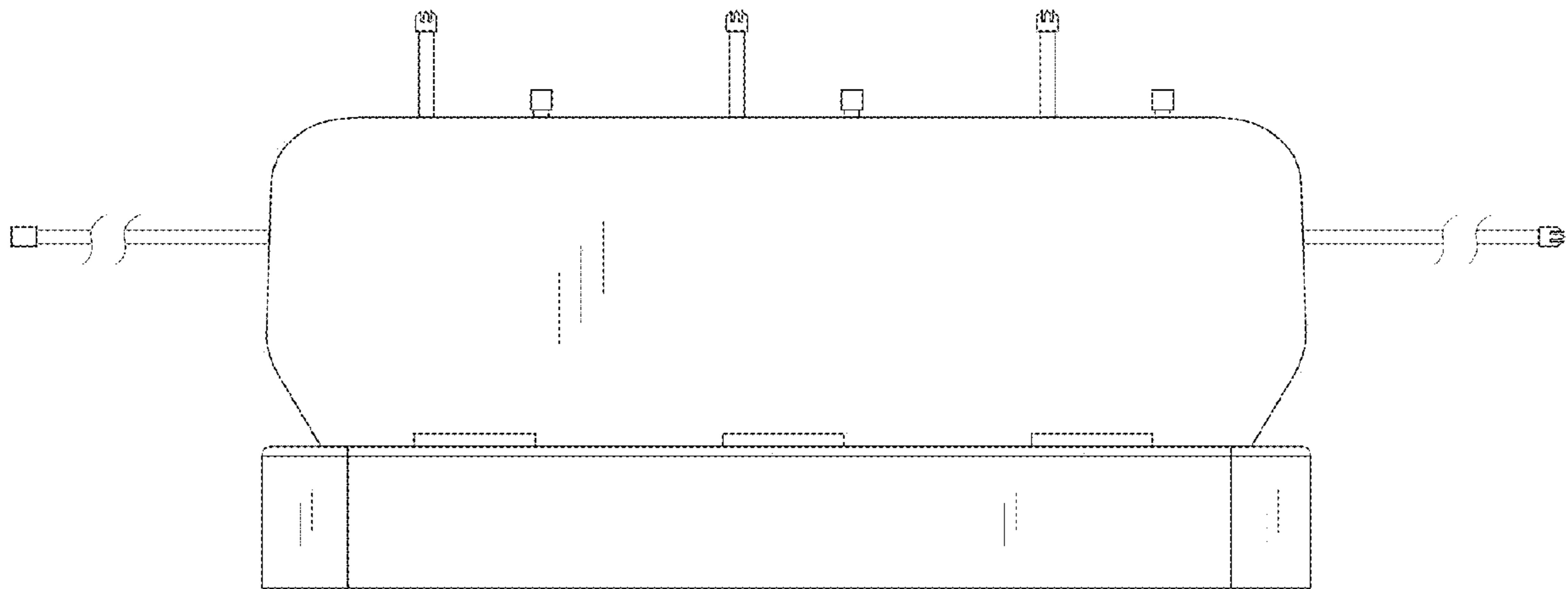


FIG. 3

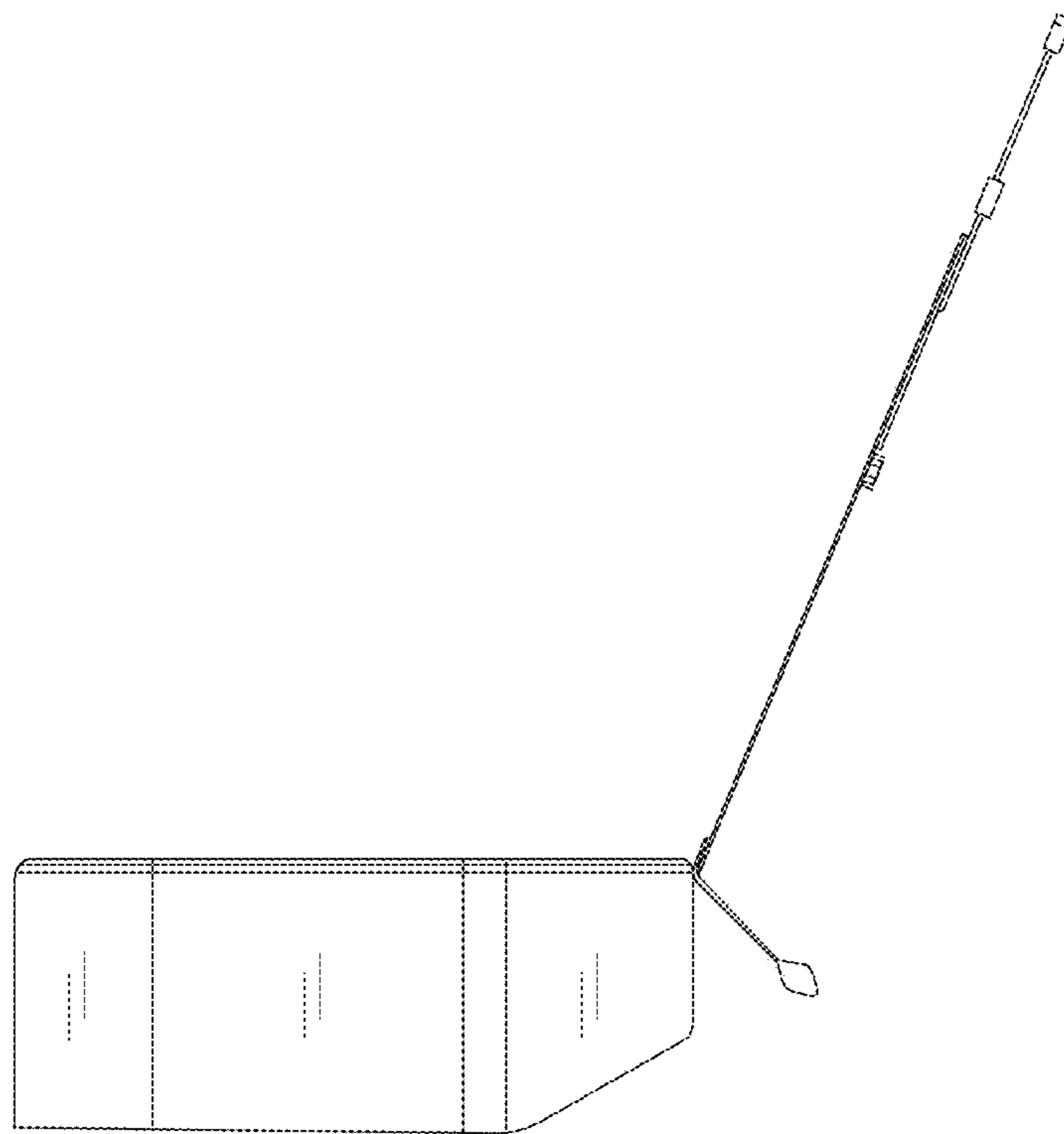


FIG. 4

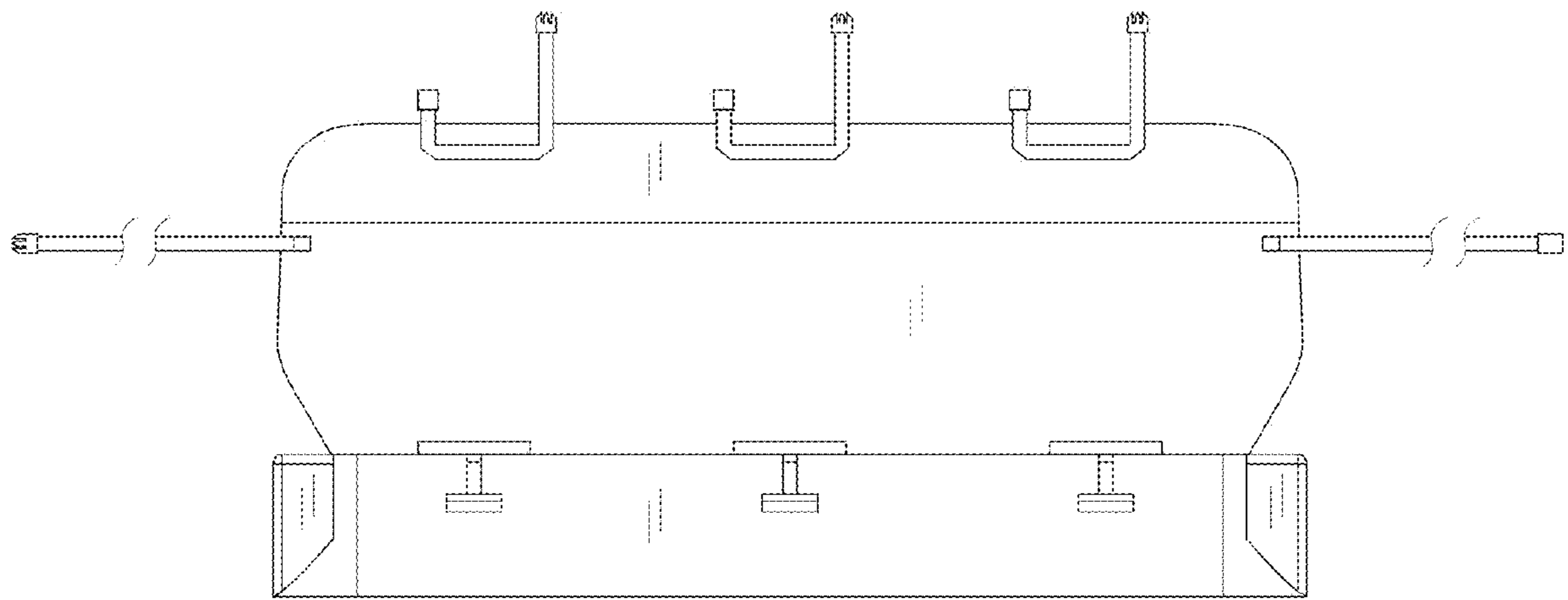


FIG. 5

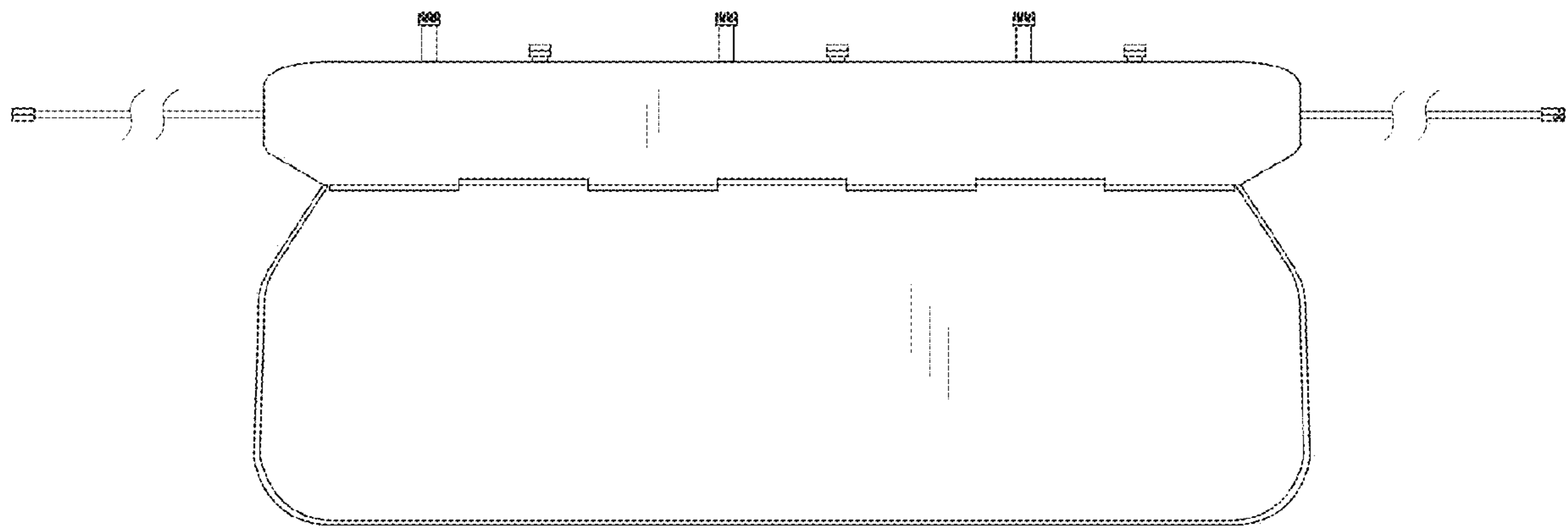


FIG. 6

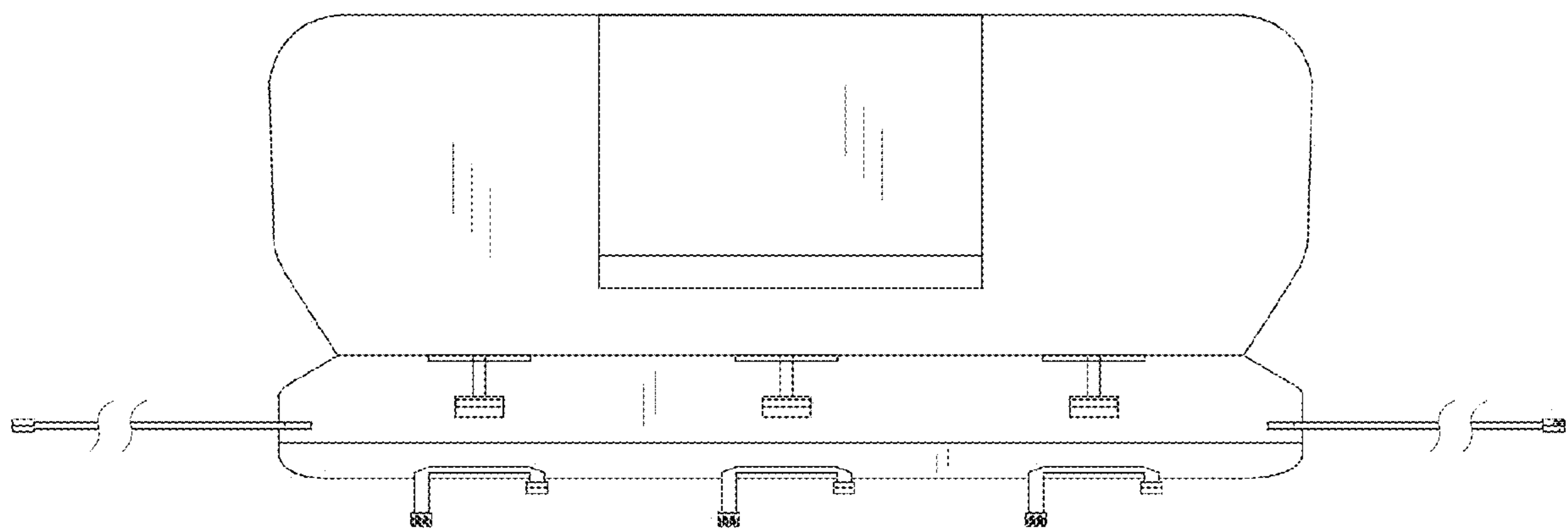


FIG. 7