

US00D929770S

(12) **United States Design Patent** (10) **Patent No.:** **US D929,770 S**
Moore (45) **Date of Patent:** **** Sep. 7, 2021**

(54) **ARM REST PILLOW**
(71) Applicant: **Sleep Well Solutions, LLC**, Fair Haven, NJ (US)
(72) Inventor: **Wesley K. Moore**, Fair Haven, NJ (US)
(**) Term: **15 Years**
(21) Appl. No.: **29/726,820**
(22) Filed: **Mar. 5, 2020**
(51) **LOC (13) Cl.** **06-09**
(52) **U.S. Cl.**
USPC **D6/601**
(58) **Field of Classification Search**
USPC D6/582-583, 587-592, 595-609,
D6/617-622; D21/803-809; D24/183
CPC A47G 9/00; A47G 2009/001; A47G
2009/002; A47G 2009/003; A47G 9/10;
A47G 9/1009; A47G 2009/1018; A47G
9/1045; A47G 9/1081; A47G 9/109
See application file for complete search history.

D793,769 S * 8/2017 Nacey D6/601
D813,398 S 3/2018 Barber et al.
D824,695 S * 8/2018 Campilii D6/601
D845,035 S * 4/2019 Raad D6/601
D868,500 S * 12/2019 Rowe D6/601
D911,072 S * 2/2021 Moore D6/601
2006/0055215 A1 3/2006 Potosky
2007/0294829 A1* 12/2007 Callahan A61G 13/12
5/636
2009/0229056 A1* 9/2009 Edinger A47C 20/021
5/648
2010/0146708 A1* 6/2010 Sakata A63B 26/00
5/655.3

* cited by examiner
Primary Examiner — Jennifer L Rempfer
(74) *Attorney, Agent, or Firm* — Doherty IP Law Group LLC

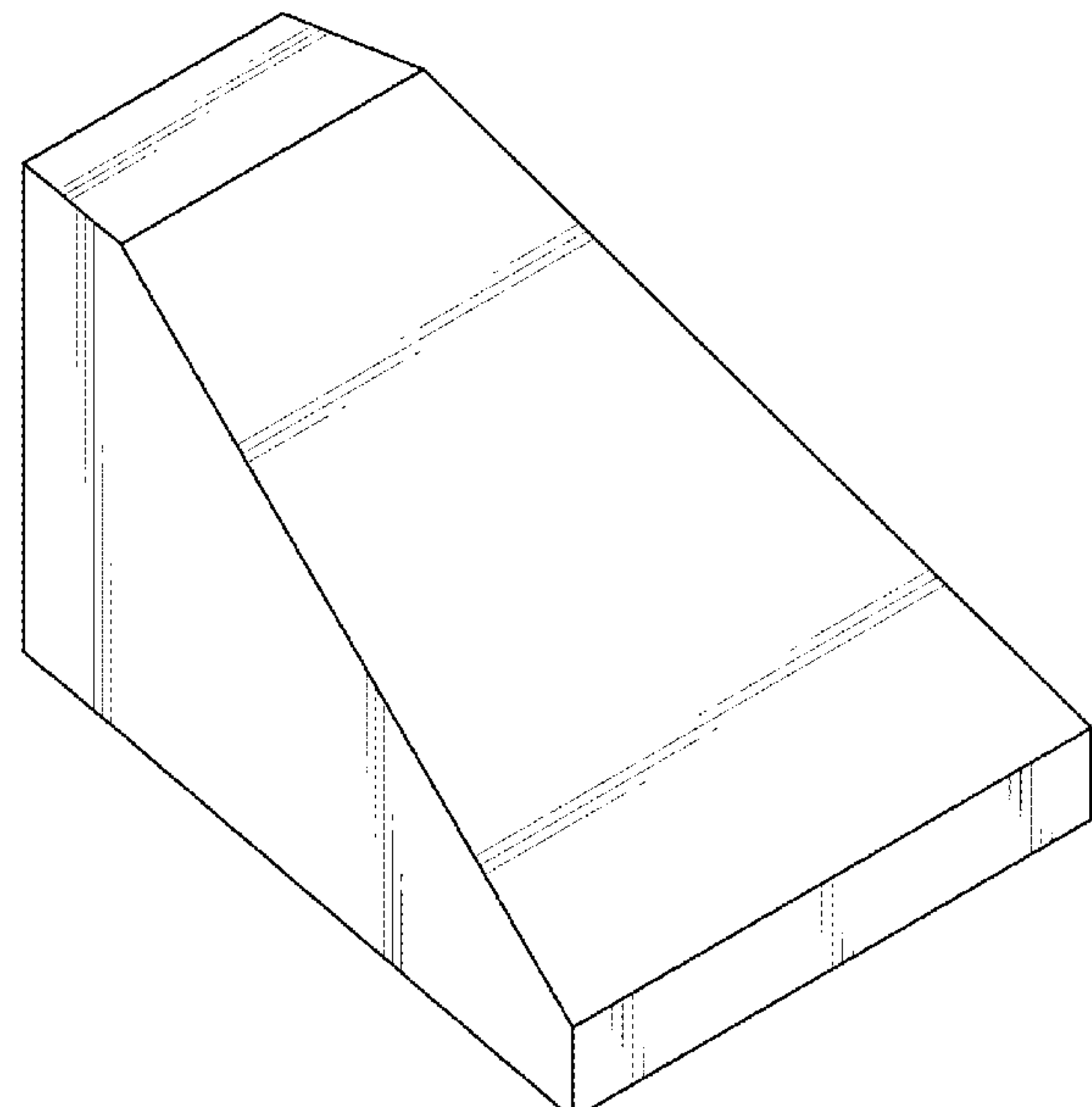
(57) **CLAIM**
The ornamental design for an arm rest pillow, as shown and described.

DESCRIPTION

FIG. 1 is a perspective view of an arm rest pillow showing my new design;
FIG. 2 is a front elevation view of the arm rest pillow shown in FIG. 1;
FIG. 3 is a rear elevation view of the arm rest pillow shown in FIG. 1;
FIG. 4 is a right side view of the arm rest pillow shown in FIG. 1;
FIG. 5 is a left side view of the arm rest pillow shown in FIG. 1;
FIG. 6 is a top plan view of the arm rest pillow shown in FIG. 1; and,
FIG. 7 is a bottom view of the arm rest pillow shown in FIG. 1.

1 Claim, 7 Drawing Sheets

(56) **References Cited**
U.S. PATENT DOCUMENTS
D242,388 S * 11/1976 Castleberry D24/183
4,040,665 A * 8/1977 Wallace B60N 2/753
297/411.32
4,265,232 A 5/1981 Stonich
5,716,334 A 2/1998 Wade
D398,173 S * 9/1998 Velez D6/601
6,558,264 B2* 5/2003 Gordon A63G 21/18
472/117
D546,107 S 7/2007 Babcock
D565,131 S * 3/2008 Decker D21/686
7,475,441 B1* 1/2009 Soberal A47D 9/02
5/655
D642,412 S * 8/2011 Cuba D6/601
D720,145 S * 12/2014 Pierre D6/361
D751,321 S * 3/2016 Smallman D6/596



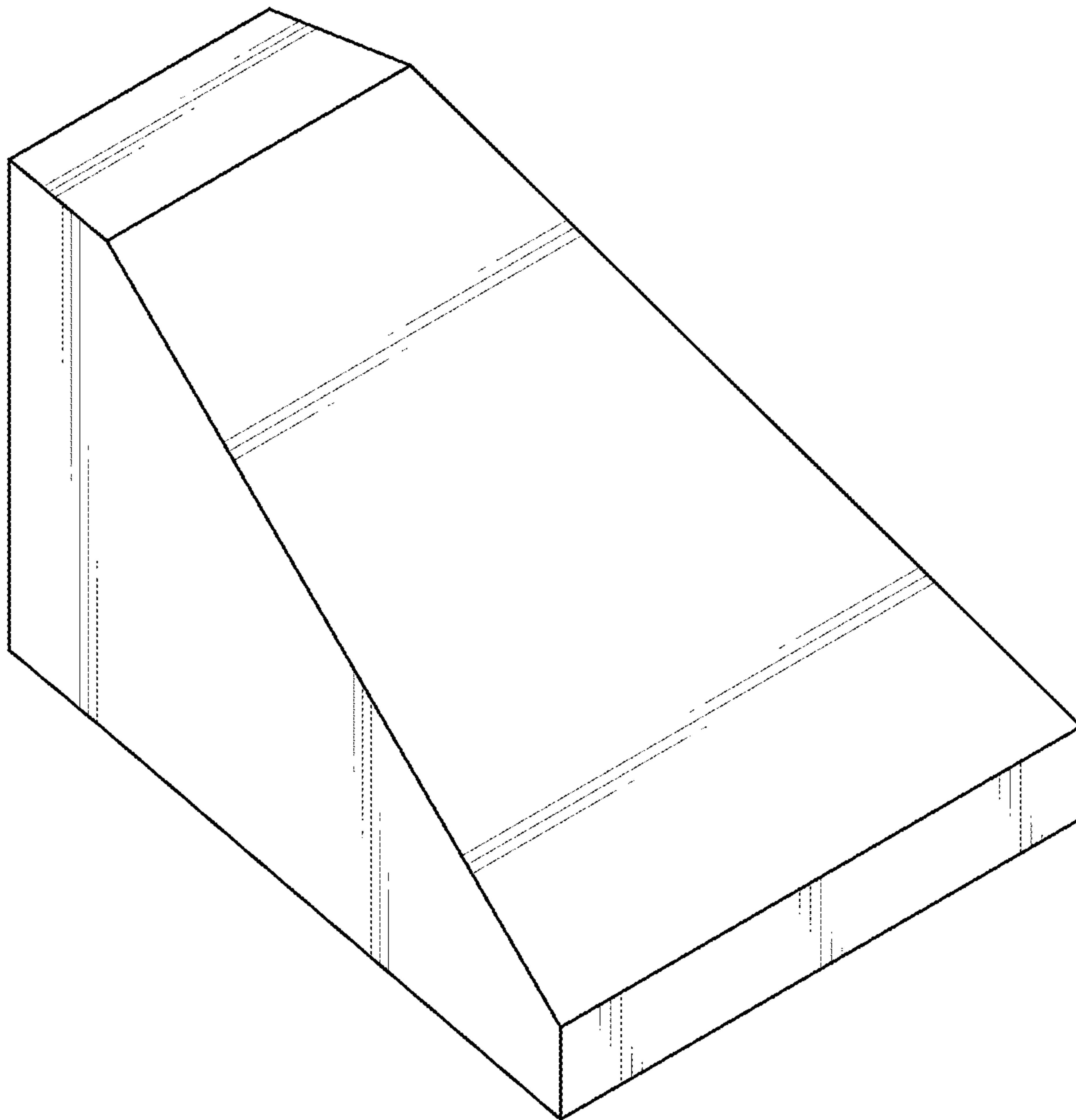


FIG. 1

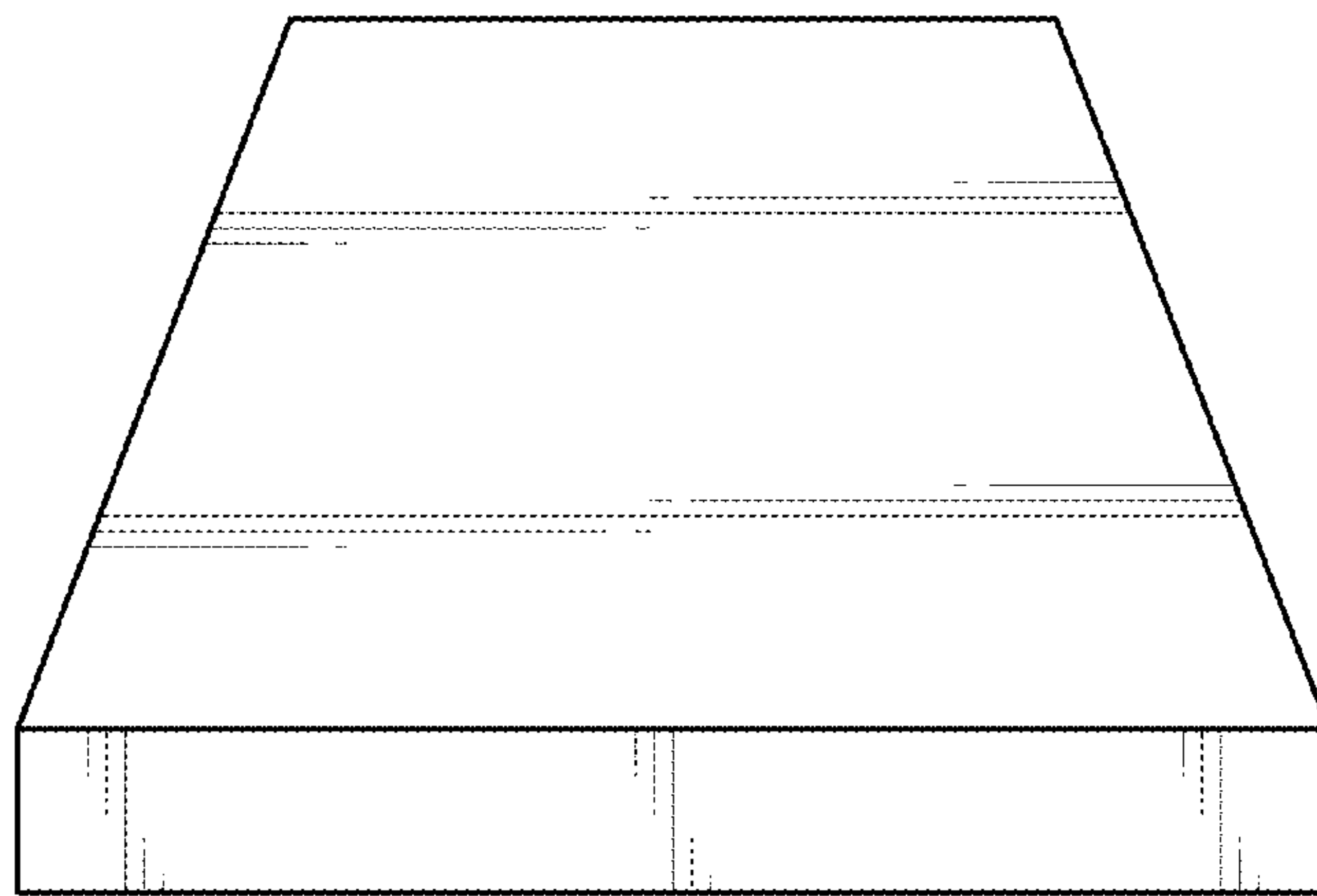


FIG. 2

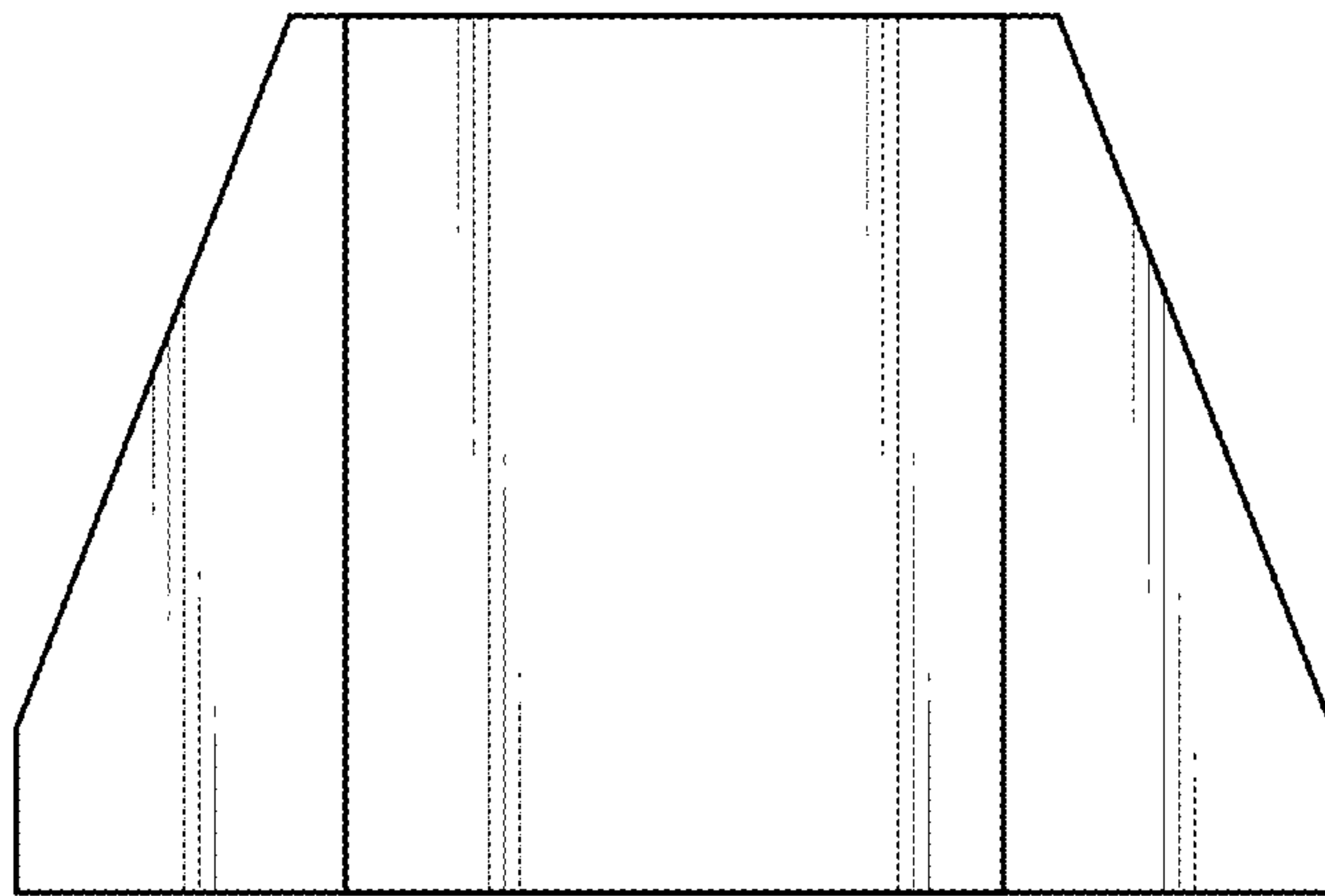


FIG. 3

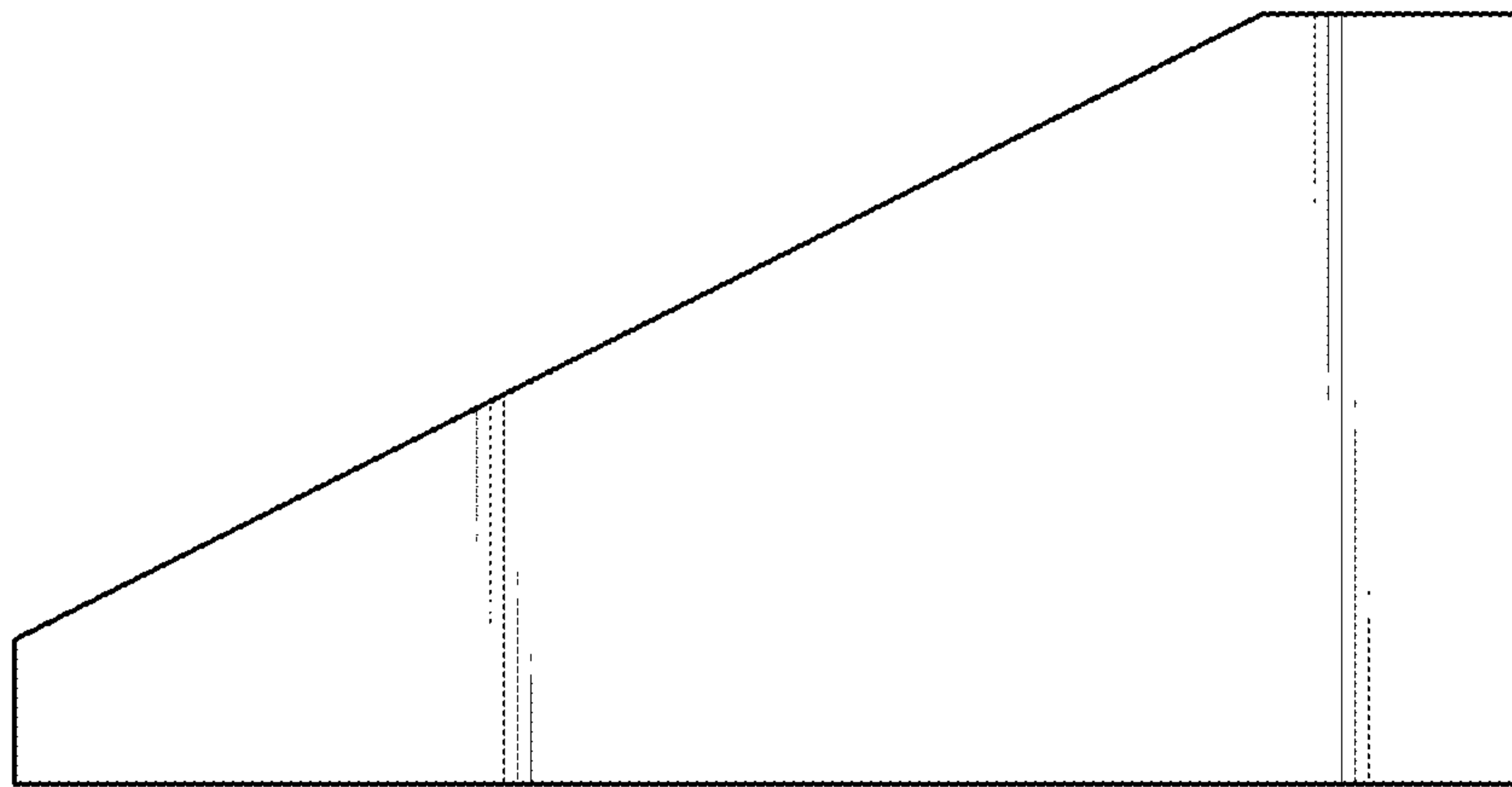


FIG. 4

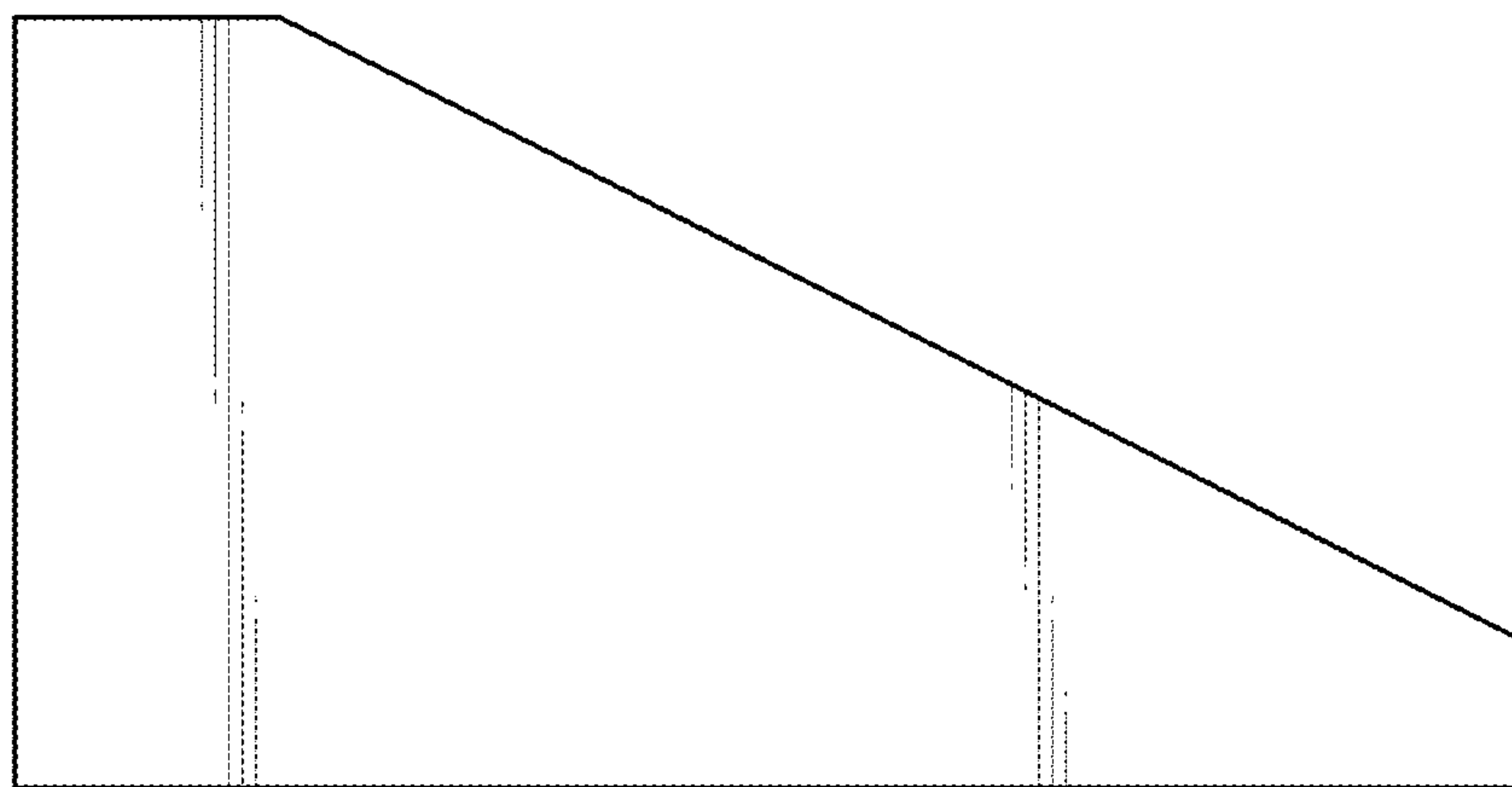


FIG. 5

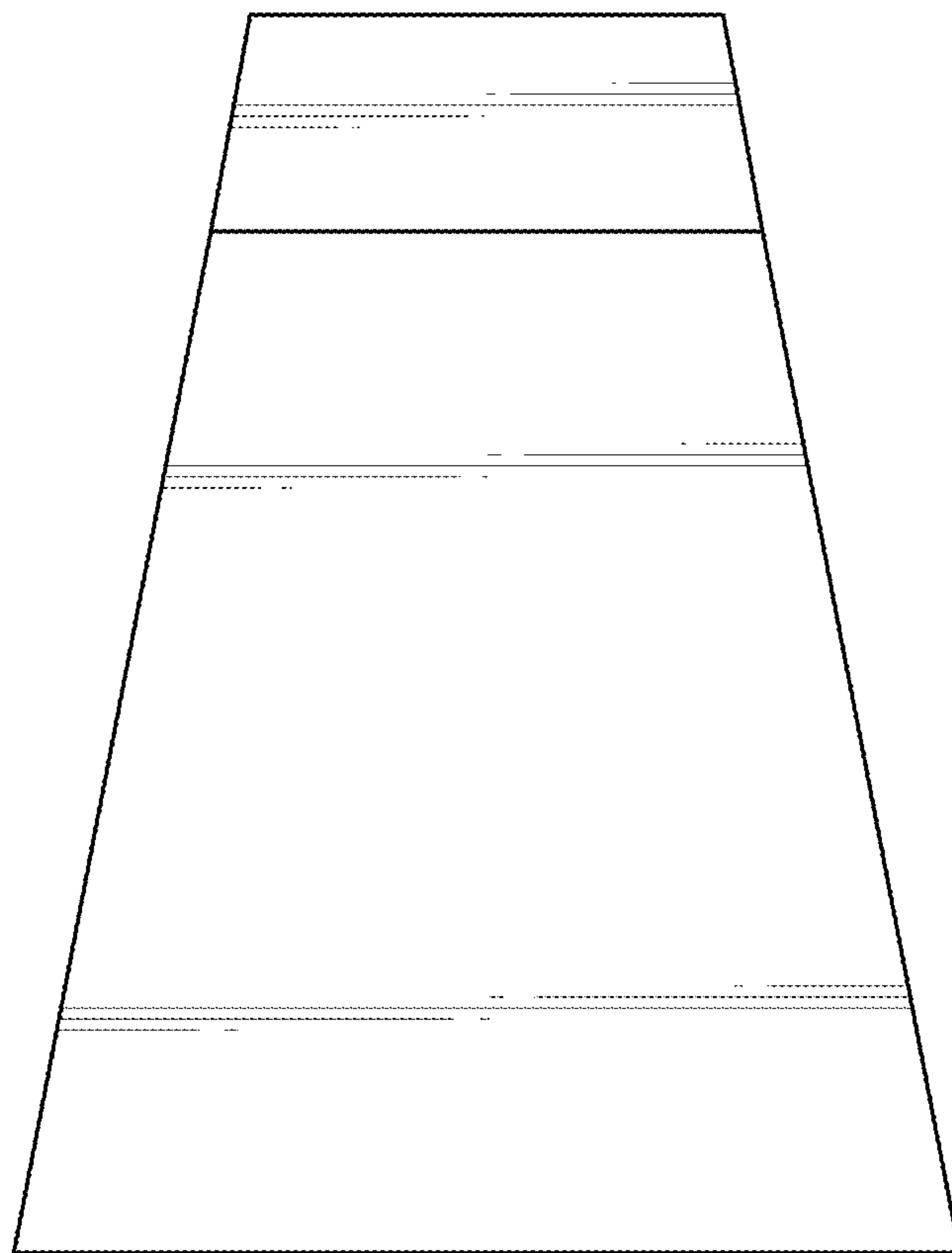


FIG. 6

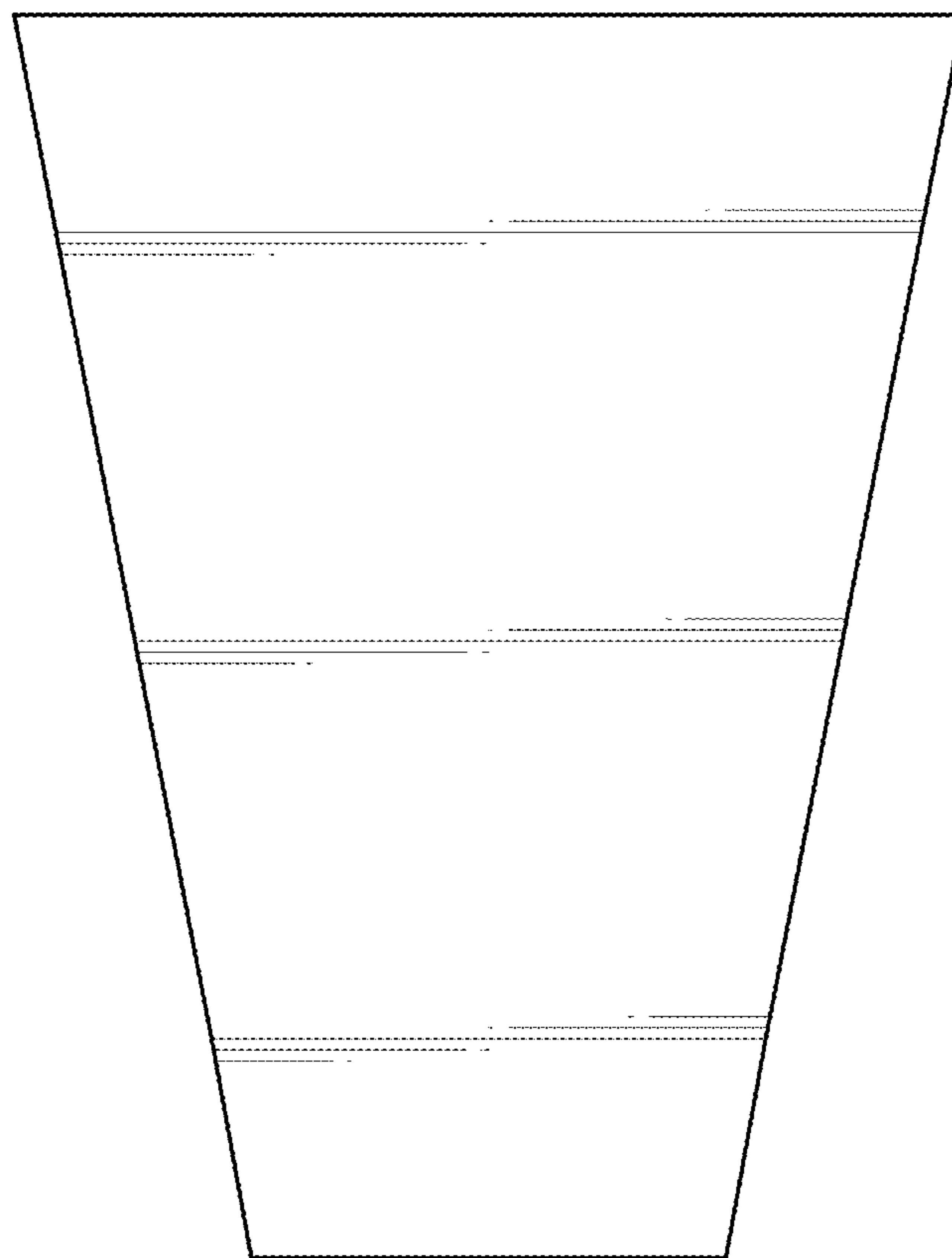


FIG. 7