



US00D929768S

(12) **United States Design Patent**
Ghiorghie

(10) **Patent No.:** **US D929,768 S**

(45) **Date of Patent:** **** Sep. 7, 2021**

(54) **BRUSH AND HOLDER**

5,890,588 A * 4/1999 Leonard A47K 11/10
206/15.3

(71) Applicant: **InterDesign, Inc.**, Solon, OH (US)

6,446,792 B1 * 9/2002 Kaniaris, Jr. A47K 17/00
206/15.3

(72) Inventor: **Radu Alexandru Ghiorghie**, Copley,
OH (US)

D481,574 S * 11/2003 Snell D6/551
D483,590 S * 12/2003 Dretzka D6/551
D483,591 S * 12/2003 Dretzka D6/551
D484,723 S * 1/2004 Snell D6/551
D511,062 S * 11/2005 Lai D6/524
D526,150 S * 8/2006 Lai D6/524

(73) Assignee: **InterDesign, Inc.**, Solon, OH (US)

(**) Term: **15 Years**

(Continued)

(21) Appl. No.: **29/747,312**

(22) Filed: **Aug. 21, 2020**

OTHER PUBLICATIONS

Related U.S. Application Data

Idesign website, Diva Bowl Brush, Aug. 11, 2020, [https://www.idesignlivesimply.com/product/bowl-brush/\(Year: 2020\).*](https://www.idesignlivesimply.com/product/bowl-brush/(Year: 2020).*)

(63) Continuation of application No. 29/705,578, filed on Sep. 13, 2019, now Pat. No. Des. 895,319, which is a continuation of application No. 29/673,653, filed on Dec. 17, 2018, now Pat. No. Des. 862,949, which is a continuation of application No. 29/595,931, filed on Mar. 3, 2017, now Pat. No. Des. 838,508.

Primary Examiner — Nathan M Johnston

(74) *Attorney, Agent, or Firm* — Calfee, Halter & Griswold LLP

(51) **LOC (13) Cl.** **04-01**

(57) **CLAIM**

(52) **U.S. Cl.**

USPC **D6/551**; D4/116

I claim the ornamental design for a brush and holder, as shown and described.

(58) **Field of Classification Search**

USPC D6/551, 525; D8/80, 83, 94, 107, 300;
206/207, 349, 361; D32/40, 42, 46, 49,
D32/51, 52; D7/541, 555, 615; 312/206,
312/207; D4/100, 102, 114, 117, 118,
D4/121, 130–136, 138, 116; 4/255.05,
4/255.11; 15/21.1, 143.1, 145, 159.1,
15/160, 186–188; 132/120, 142, 313
CPC A47K 17/00; A47K 11/10; A47K 3/001;
B65D 47/40; A46B 2200/304; A46B
17/02; A46B 17/06

DESCRIPTION

See application file for complete search history.

FIG. 1 is a front/right/top perspective view of a brush and holder (a front/left/top perspective view would be a mirror image thereof);

FIG. 2 is a rear/left/bottom perspective view thereof (a rear/right/bottom perspective view would be a mirror image thereof);

FIG. 3 is a front elevational view thereof;

FIG. 4 is a right side elevational view thereof;

FIG. 5 is a top plan view thereof; and,

FIG. 6 is a bottom plan view thereof.

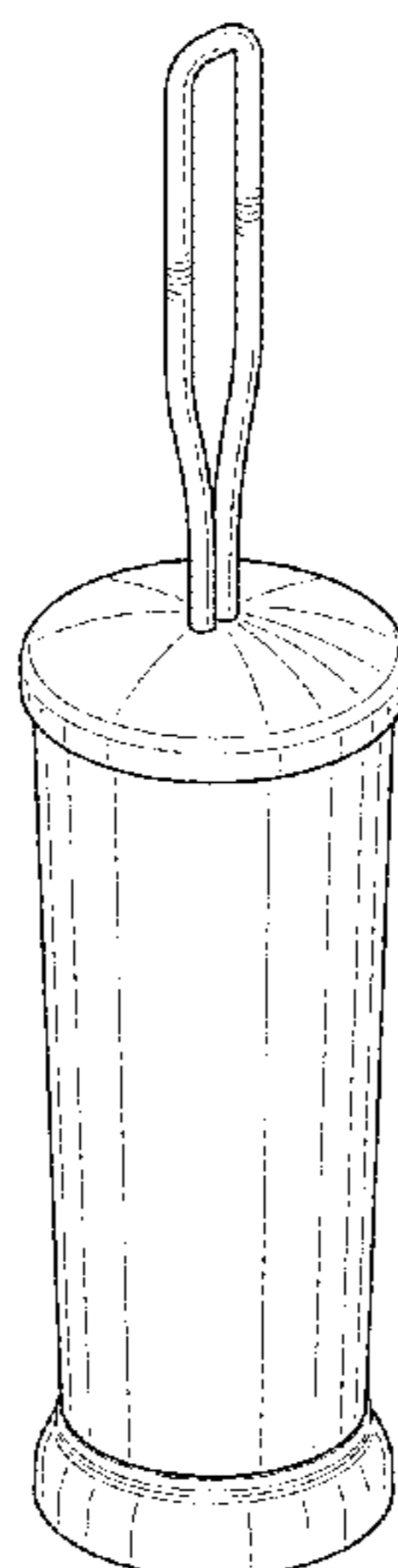
The broken lines depict portions of the brush and holder that form no part of the claimed design.

(56) **References Cited**

U.S. PATENT DOCUMENTS

D206,135 S * 11/1966 O'Neil D6/551
5,772,015 A * 6/1998 Musiel A47K 11/10
206/1.5

1 Claim, 3 Drawing Sheets



(56)

References Cited

U.S. PATENT DOCUMENTS

D530,959 S * 10/2006 Snell D6/551
2008/0156680 A1* 7/2008 Lai A47K 17/00
206/361
2010/0065564 A1* 3/2010 Lai A47K 17/00
220/23.91

* cited by examiner

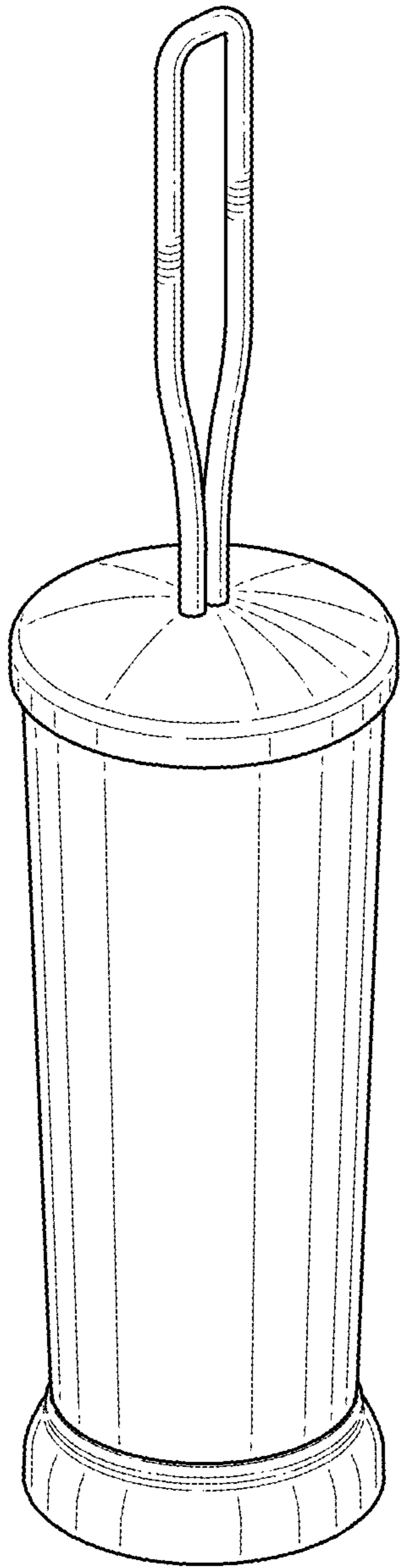


FIG. 1

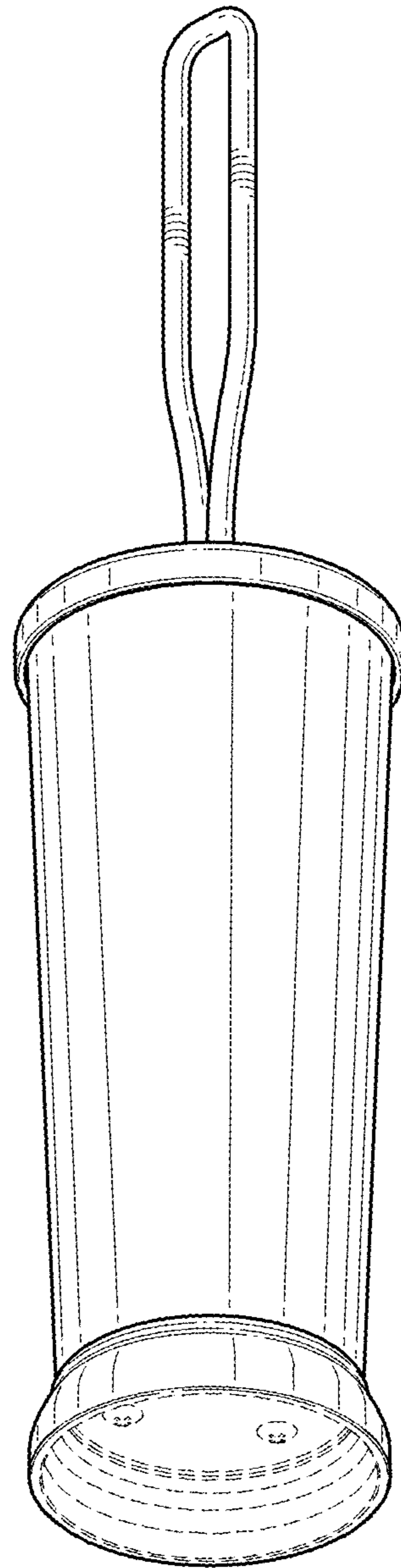


FIG. 2

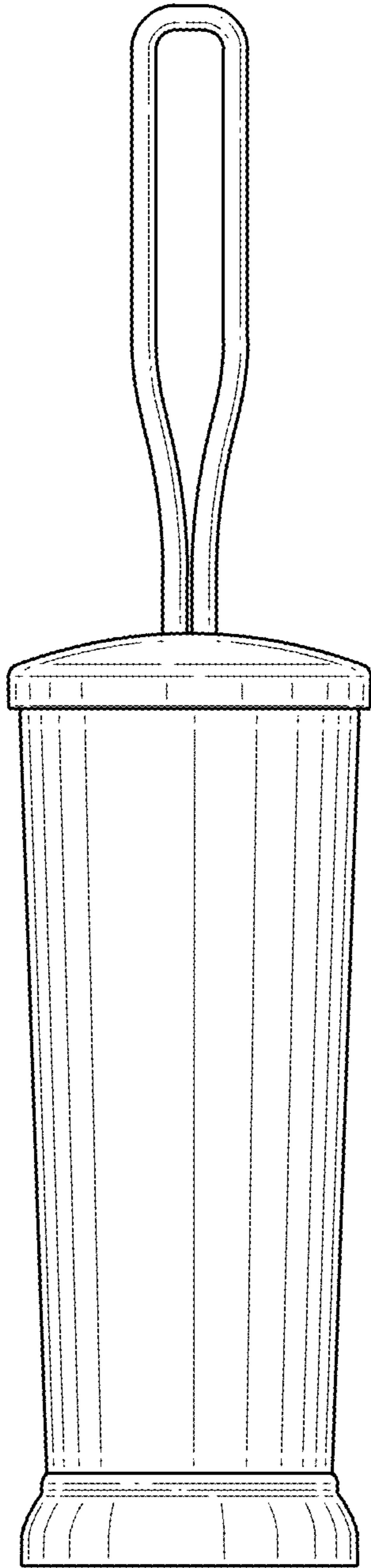


FIG. 3

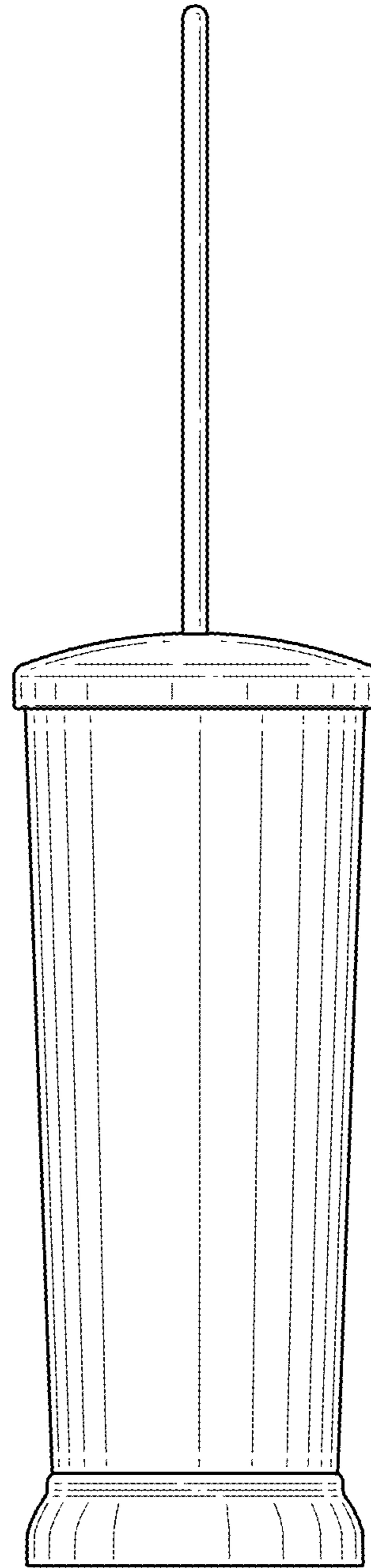


FIG. 4

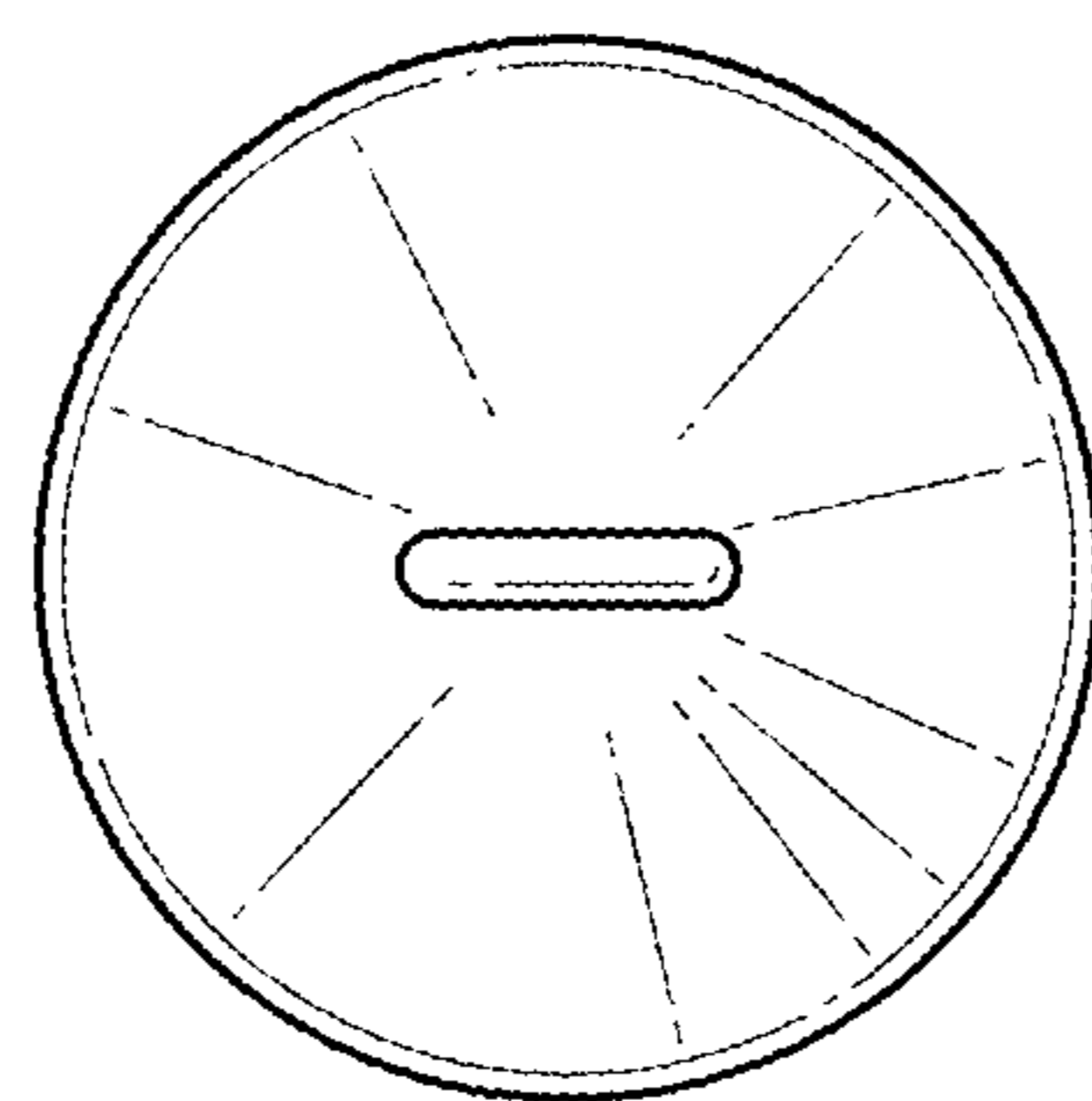


FIG. 5

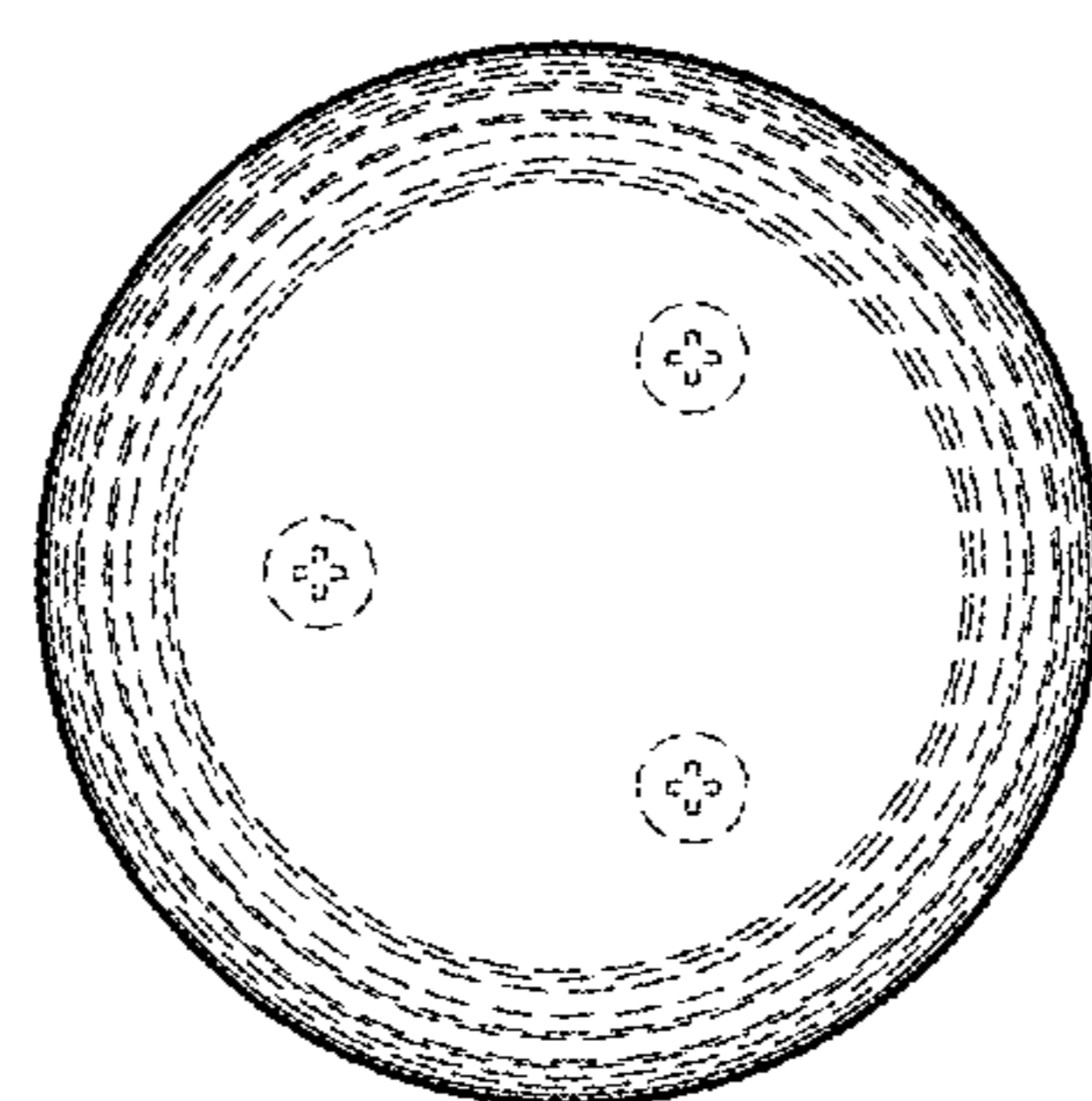


FIG. 6