



US00D929765S

(12) **United States Design Patent** (10) **Patent No.:** **US D929,765 S**  
**Doom** (45) **Date of Patent:** **\*\* Sep. 7, 2021**

(54) **UTILITY TABLE**

(71) Applicant: **James Doom**, Grand Rivers, KY (US)

(72) Inventor: **James Doom**, Grand Rivers, KY (US)

(\*\*) Term: **15 Years**

(21) Appl. No.: **29/702,694**

(22) Filed: **Aug. 21, 2019**

(51) **LOC (13) Cl.** ..... **06-06**

(52) **U.S. Cl.**  
USPC ..... **D6/406.2**

(58) **Field of Classification Search**  
USPC ..... D6/406.1, 406.2, 406.3, 406.4, 406.5,  
D6/406.6, 672, 675, 656, 656.15  
CPC ..... A47B 23/00; A47B 23/02; A47B 217/06;  
A47B 5/006; A47B 3/00; A47B 5/02;  
A47B 1/00; A47B 13/14; A47B 13/00;  
A47B 23/04

See application file for complete search history.

(56) **References Cited**

**U.S. PATENT DOCUMENTS**

D127,562 S *	6/1941	Cloutier	.....	D6/691.3
D270,588 S *	9/1983	Kemple	.....	D6/406.1
D312,171 S *	11/1990	Roth	.....	D12/420
D380,944 S *	7/1997	Nielsen	.....	D12/425
D467,754 S *	12/2002	Chen	.....	D6/406.1
D481,350 S *	10/2003	McCoy	.....	D12/400

D548,496 S *	8/2007	Samtani	.....	D6/656.13
D581,704 S *	12/2008	Hwang	.....	D6/656.13
D588,829 S *	3/2009	Rheault	.....	D6/406.1
D656,760 S *	4/2012	Fox	.....	D6/708
D714,073 S *	9/2014	Pittman	.....	D6/406.2
D728,433 S *	5/2015	Nishida	.....	D12/128
D766,610 S *	9/2016	Johnson	.....	D6/406.1
D774,322 S *	12/2016	Schmauch	.....	D6/406.5
D801,072 S *	10/2017	Miller	.....	D6/406.2
D883,704 S *	5/2020	Monnes	.....	D6/406.1

\* cited by examiner

*Primary Examiner* — Kelley A Donnelly

(74) *Attorney, Agent, or Firm* — Julie A. Tennyson;  
Marcum Tennyson PLLC

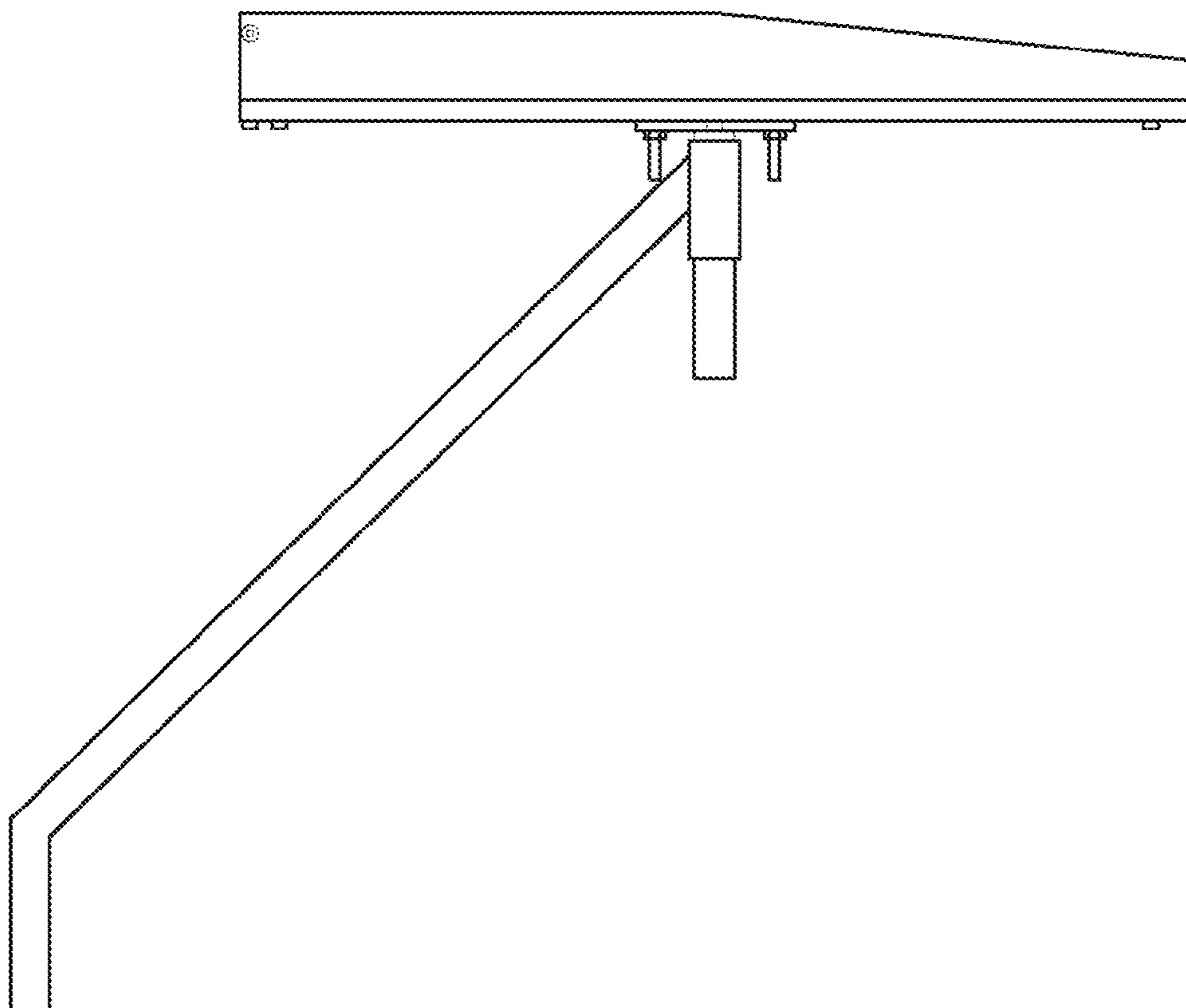
(57) **CLAIM**

I claim the ornamental design for a utility table, as shown and described.

**DESCRIPTION**

FIG. 1 is a right side view of a utility table.  
FIG. 2 is a left side view of a utility table.  
FIG. 3 is a top view of a utility table.  
FIG. 4 is a bottom view of a utility table.  
FIG. 5 is a back view of a utility table.  
FIG. 6 is a front view of a utility table; and,  
FIG. 7 is a perspective view of a utility table.  
The broken line in the figure drawings represents no part of the claimed design.

**1 Claim, 7 Drawing Sheets**



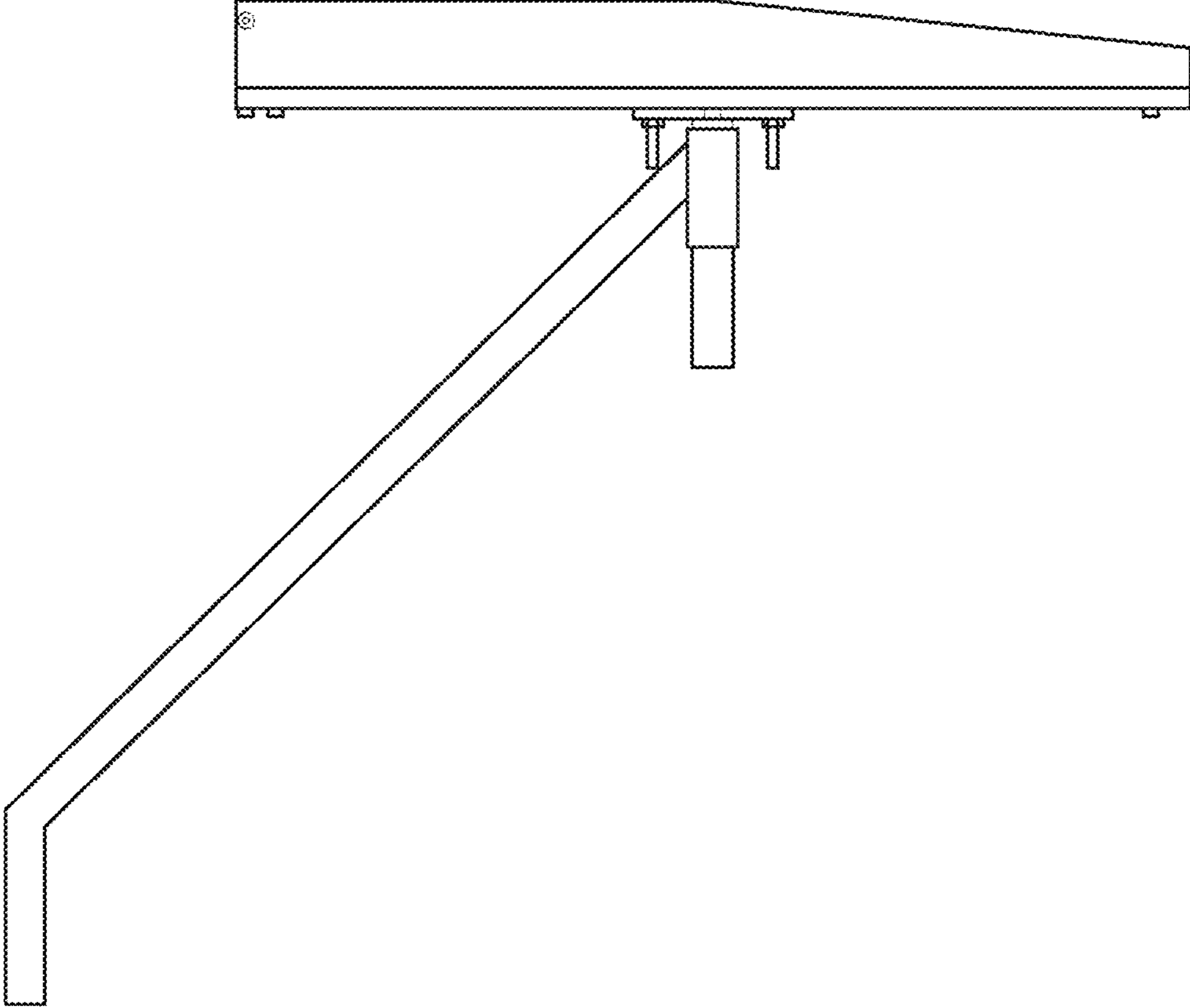


FIG 1

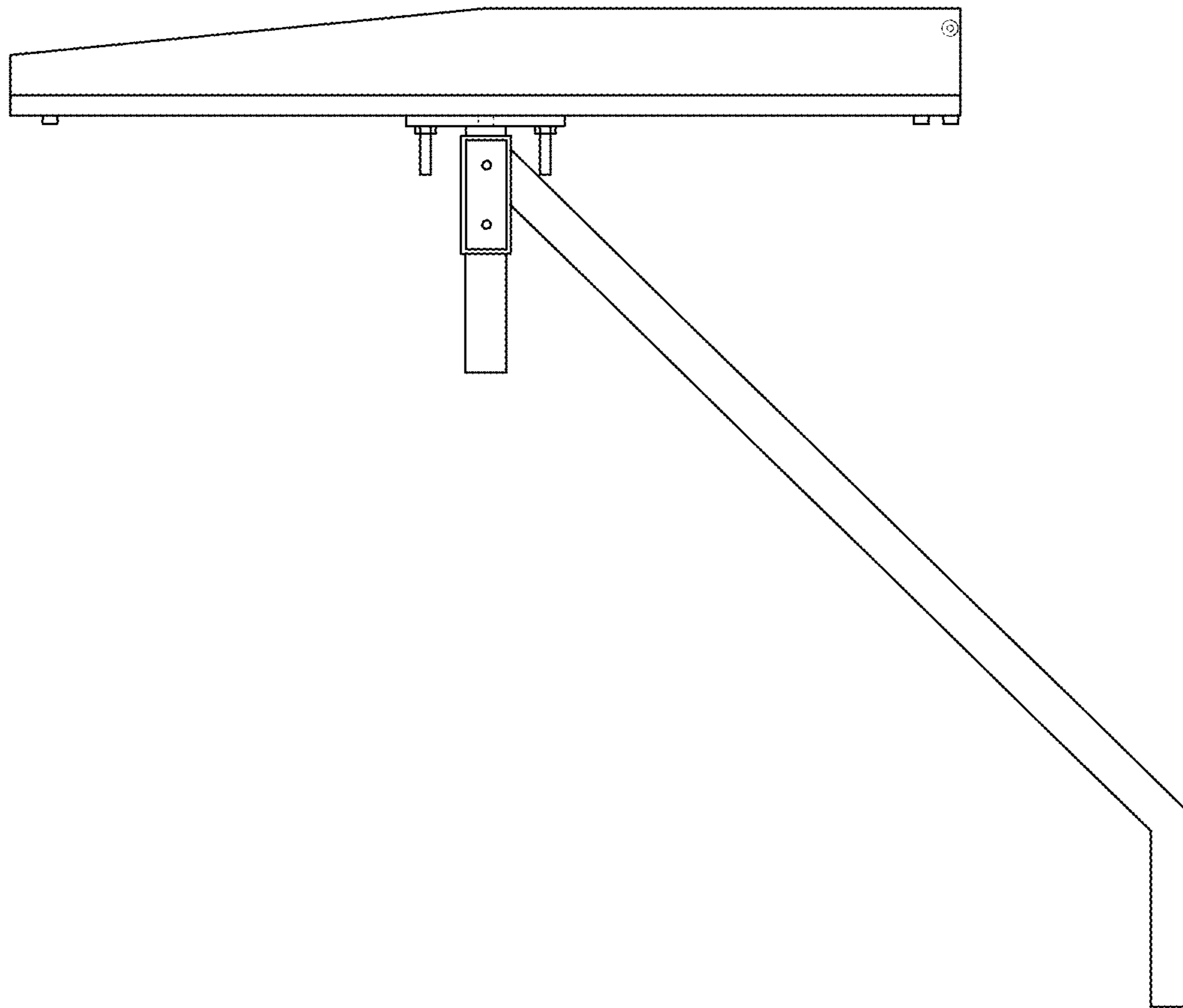


Fig. 2

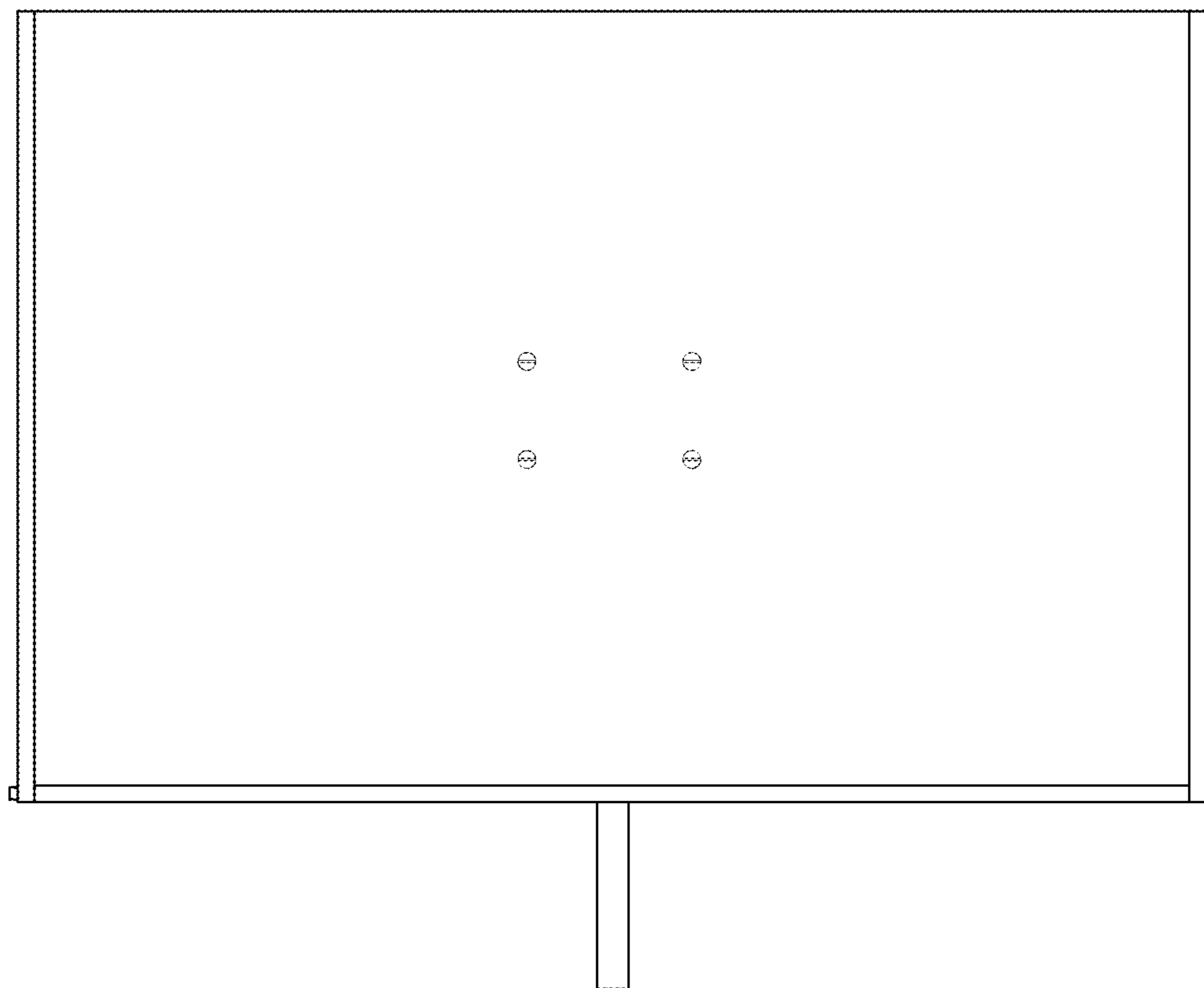


Fig. 3

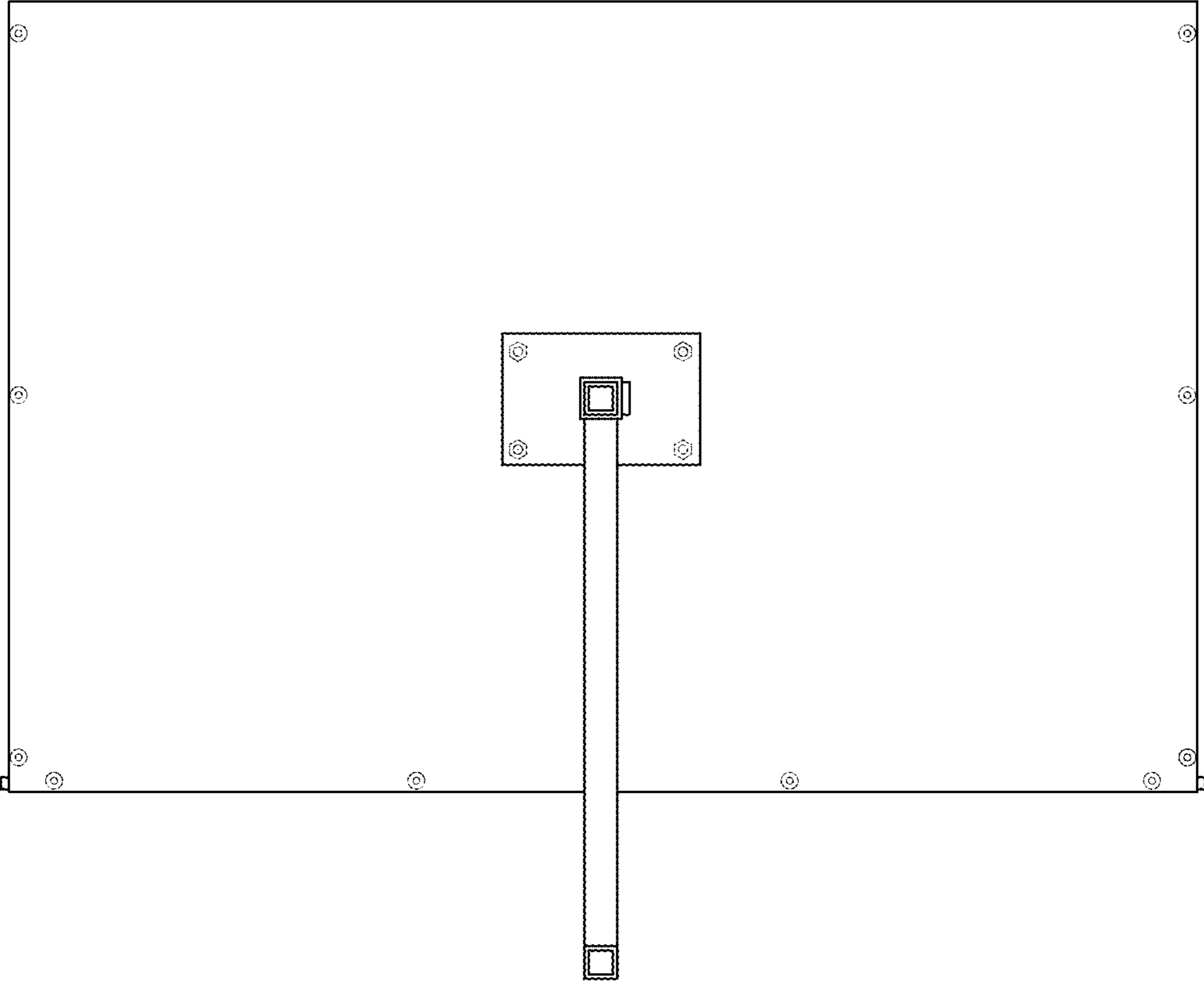


Fig. 4

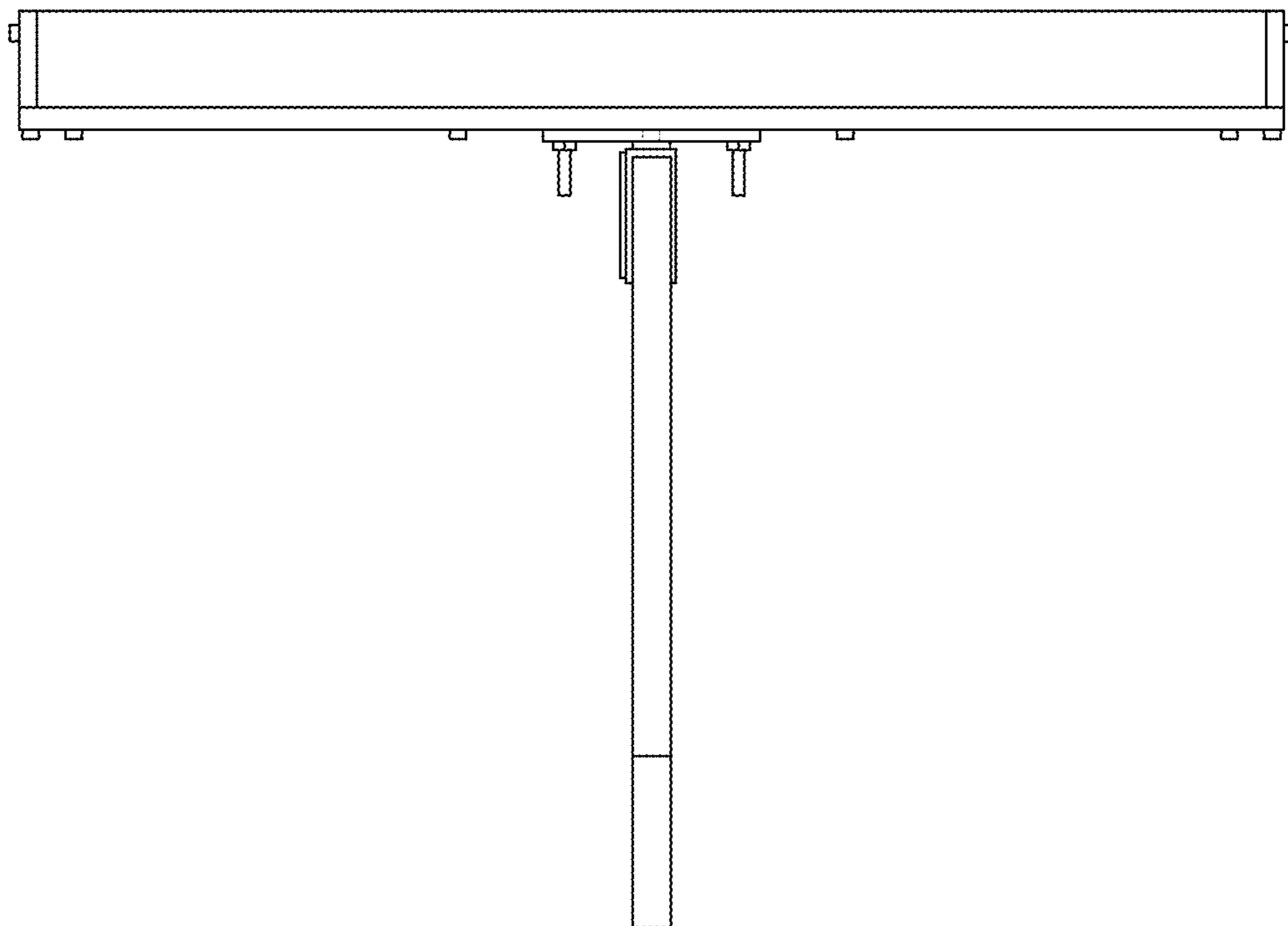


Fig. 5

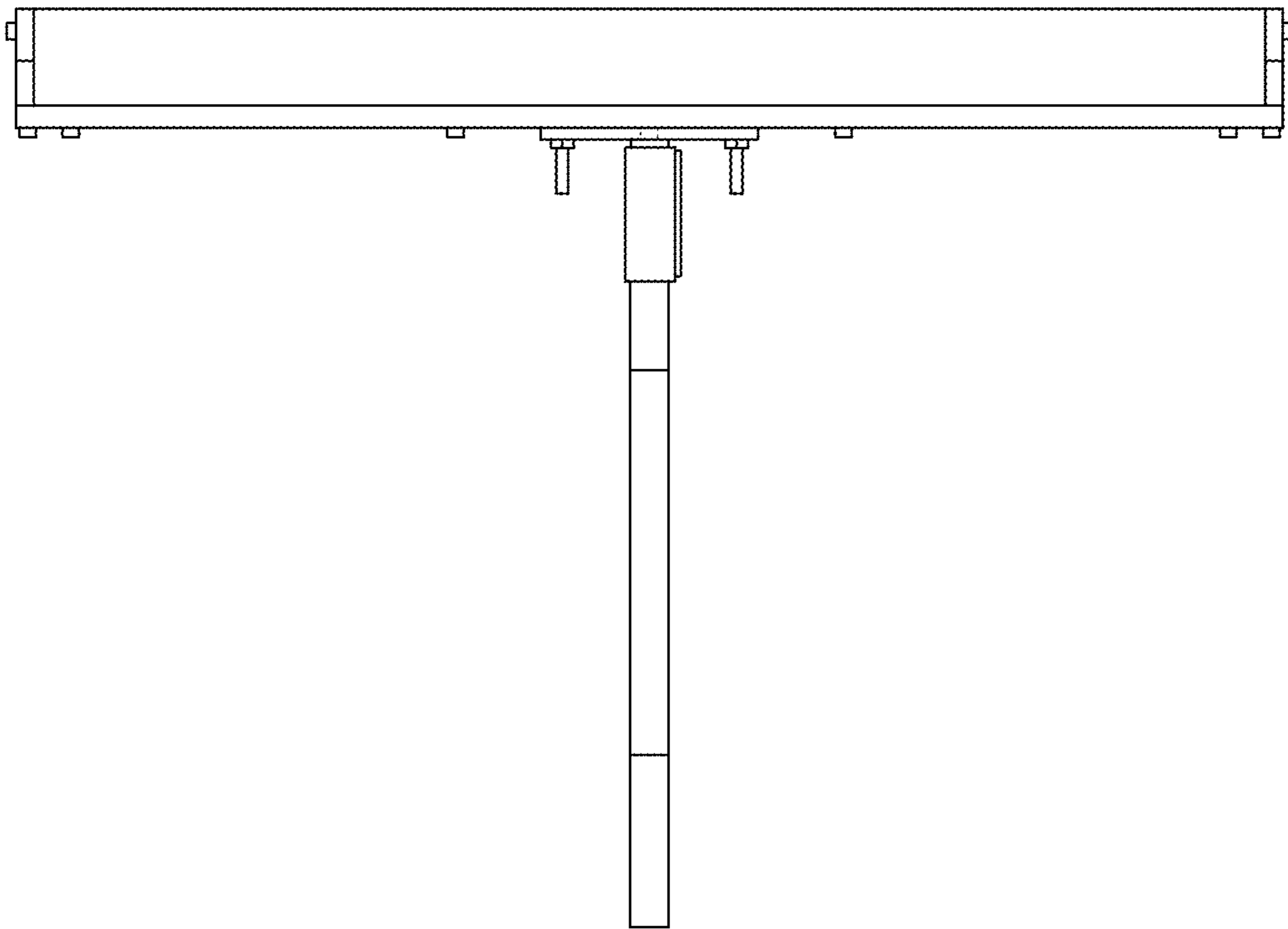


Fig. 6

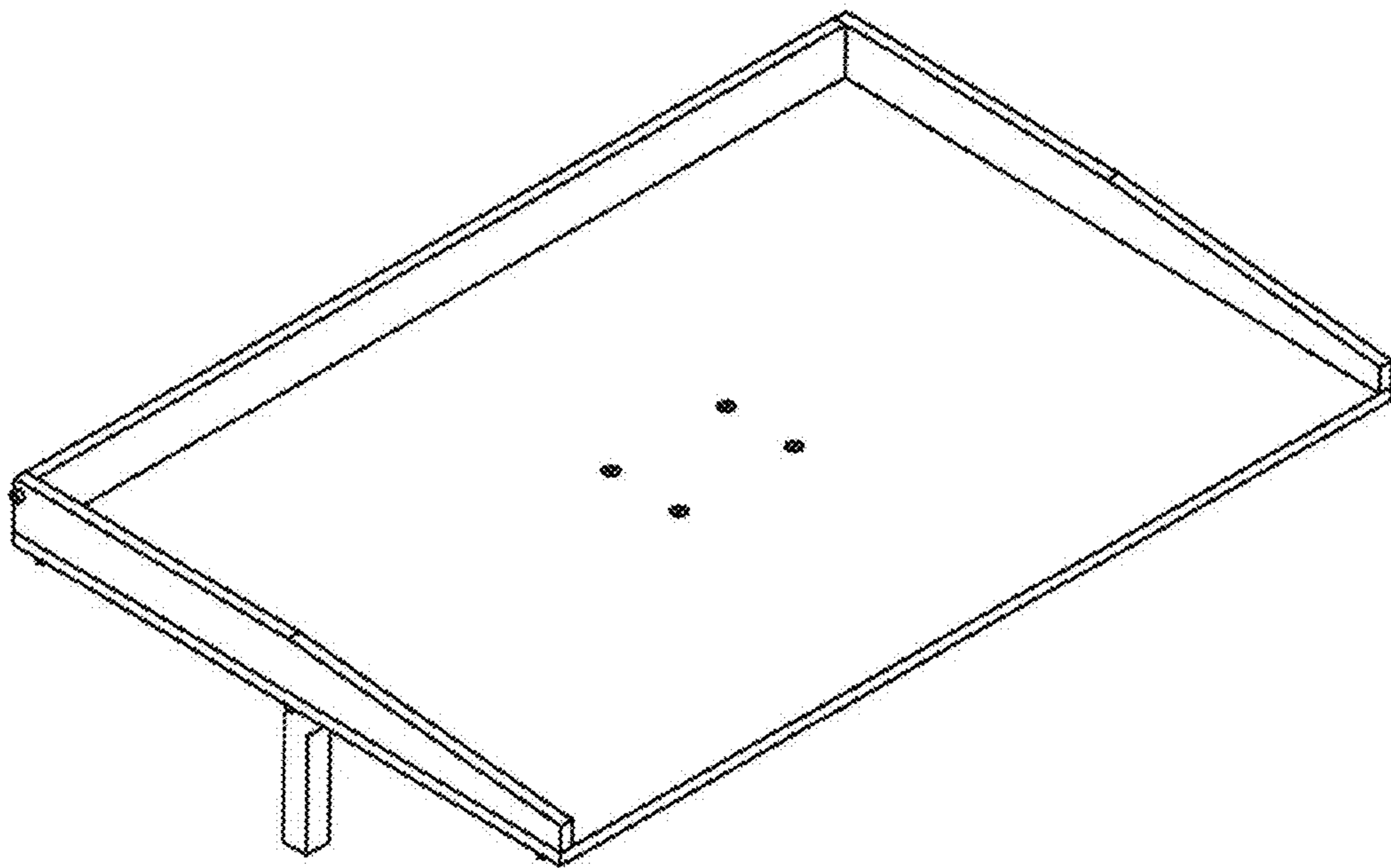


FIGURE 7